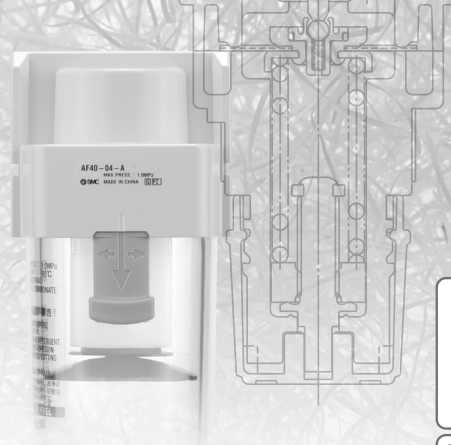
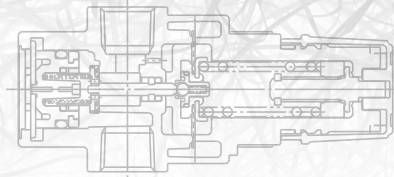


Modular F.R.L. Pressure Control Equipment



1 Indication of Replacement of Elements, Inspection Items p. 291

2 Troubleshooting p. 292

3 Construction/Replacement Parts

		Replacement Parts	Replacement Procedure
AC-D	Air Combination	p. 295	p. 553
AF20-D to AF60-D	Air Filter	p. 296	p. 556
AFM20-D to AFM40-D	Mist Separator	p. 297	p. 563
AFD20-D to AFD40-D	Micro Mist Separator	p. 297	p. 563
AR20-D to AR60-D	Regulator	p. 298	p. 568
AR20K-D to AR60K-D	Regulator with Backflow Function	p. 298	p. 568
AR20M-D to AR40M-D	Common Supply Regulator	p. 299	p. 575
AR20MK-D to AR40MK-D	Common Supply Regulator with Backflow Function	p. 299	p. 575
AL20-D to AL60-D	Lubricator	p. 300	p. 581
AW20-D to AW60-D	Filter Regulator	p. 301	p. 592
AW20K-D to AW60K-D	Filter Regulator with Backflow Function	p. 301	p. 592
AWM20-D to AWM40-D	Mist Separator Regulator	p. 303	p. 592
AWD20-D to AWD40-D	Micro Mist Separator Regulator	p. 303	p. 592
AC-A	Air Combination	p. 304	p. 608
AC-B	Air Combination	p. 305	—
ACG-B	Air Combination	p. 306	—
ARG20-B to ARG40-B	Regulator with Built-in Pressure Gauge	p. 308	—
ARG20K-B to ARG40K-B	Regulator with Built-in Pressure Gauge with Backflow Function	p. 308	—
AWG20-B to AWG40-B	Filter Regulator with Built-in Pressure Gauge	p. 309	—
AWG20K-B to AWG40K-B	Filter Regulator with Built-in Pressure Gauge with Backflow Function	p. 309	—
ACG	Air Combination	p. 310	—
AF10-A to AF60-A	Air Filter	p. 312	p. 611
AFM20-A to AFM40-A	Mist Separator	p. 313	p. 622
AFD20-A to AFD40-A	Micro Mist Separator	p. 313	p. 624
AR10-A to AR40-A	Regulator	p. 314	p. 630
AR20-B to AR60-B	Regulator	p. 315	p. 635
AR20K-B to AR60K-B	Regulator with Backflow Function	p. 315	p. 637
AL10-A to AL60-A	Lubricator	p. 316	p. 642
AW10-A to AW40-A	Filter Regulator	p. 317	p. 650
AW20-B to AW60-B	Filter Regulator	p. 318	p. 666
AW20K-B to AW60K-B	Filter Regulator with Backflow Function	p. 318	p. 669
AWM20 to AWM40	Mist Separator Regulator	p. 319	p. 678
AWD20 to AWD40	Micro Mist Separator Regulator	p. 319	p. 684
ARG20(K)/30(K)/40(K)	Regulator with Built-in Pressure Gauge	p. 320	p. 690
AWG20/30/40	Filter Regulator with Built-in Pressure Gauge	p. 321	p. 696
AWG20K/30K/40K	Filter Regulator with Built-in Pressure Gauge with Backflow Function	p. 322	—
AR425 to 935	Pilot Operated Regulator	p. 323	p. 703
AMR3000 to 6000	MR Unit (Regulator with Mist Separator)	p. 324	p. 707
ARM5A	Compact Manifold Regulator/Centralized Supply Type	p. 325	p. 708
ARM5B	Compact Manifold Regulator/Individual Supply Type	p. 326	p. 708
ARM5S	Regulator/Single Unit Type	p. 327	p. 708
ARM10	Regulator/Single Unit Type	p. 328	p. 712
ARM11A	Compact Manifold Regulator/Common Supply Type	p. 329	p. 712
ARM11B	Compact Manifold Regulator/Individual Supply Type	p. 330	p. 712
ARM11A/B	Compact Manifold Regulator/Options	p. 331	p. 712

Modular F.R.L. Pressure Control Equipment

1 Indication of Replacement of Elements, Inspection Items

The following describes the general contents of the element replacement and regular check.

Indication of replacement of air filter, inspection items

■ Replacement standards

<Element replacement>

The differential pressure (pressure drop) between the primary side and secondary side reaches 0.1 MPa. Even when any pressure differential does not occur, replace the element every two years.

■ Inspection items

1) Checking of external leak or case crack

If the case is cracked, this may lead to a serious accident, such as case rupture. So, replace the case immediately and locate the cause. If the case is contaminated significantly and the internal status cannot be checked, clean the case with neutral detergent. At this time, never use solvent or machine cleaning solution.

2) Functional inspection of drain discharge mechanism

Check that the drain mechanism functions correctly without fail and that the drain is discharged periodically for manual type.

If the drain is produced excessively, a trouble may occur in the purification equipment on the upstream side.

■ Probable troubles (Reference)

Refer to the "Troubleshooting" for air filter/auto drain. (p. 292)

Regulator inspection items

■ Inspection items

Check the set pressure level before starting up the equipment. If the set pressure level is beyond the specified range, locate the cause.

(Be sure to locate the cause before starting the readjustment.) Additionally, check the following points during periodic inspection.

1) Functional inspection and grease-up of the valve body (including the valve guide)

2) Functional inspection and grease-up of the valve spring

Check for rust, breakage, or permanent settling.

3) Checking of setting function and relief function (Check the functions by increasing or decreasing the setting.)

■ Probable troubles (Reference)

Refer to the "Troubleshooting" for regulator. (p. 293)

Lubricator inspection items

■ Inspection items

① Inspection of dripping volume: Inspect this item when starting the equipment operation.

② Check the oil status inside the case. Check for drain entry.

③ Check for air leak inside the case or air backflow on the secondary side.

■ Probable troubles (Reference)

Refer to the "Troubleshooting" for lubricator. (p. 294)

2 Troubleshooting

The following describes the general contents of the troubleshooting.

[Air Filter/Auto Drain]

Trouble (Symptom)	Cause	Corrective action
The pressure drop is large and the specified flow rate cannot be obtained.	1. The element is clogged.	1. Replace the element.
The air leaks from the portion between the bowl and body.	1. The bowl O-ring is damaged.	1. Replace the bowl O-ring. Apply the grease to the bowl O-ring, and then assemble it into the bowl.
The air leaks from the bowl.	1. The bowl is damaged.	1. Replace the bowl assembly or replace the bowl with a metallic bowl.
The air leaks from the drain cock.	1. A foreign object is caught in the valve of the drain cock.	1. Open the drain cock for several seconds to blow out the foreign object.
	2. The drain cock seat is damaged.	2. Replace the bowl assembly.
The drain is not discharged even when the drain cock is opened.	1. The discharge port of the drain cock is clogged with solid foreign object.	1. Replace the bowl assembly.
An excessive amount of drain is discharged to the pipe at the outlet.	1. The drain level exceeds the baffle.	1. Open the drain cock to discharge the drain, and then replace the element.

Modular F.R.L. Pressure Control Equipment

2 Troubleshooting

The following describes the general contents of the troubleshooting.

[Regulator]

Trouble (Symptom)	Cause	Corrective action
The pressure cannot be regulated.	1. The regulator is installed in a direction opposite to the flow direction.	1. Check the flow direction. If the installation direction is opposite to the flow direction, reinstall the regulator.
	2. The spring is broken.	2. Replace the spring.
	3. The valve spring is broken.	3. Replace the valve spring.
	4. A foreign object is caught in the valve seat or valve O-ring.	4. Remove the valve guide, and then clean the valve, valve seat, and valve O-ring. At this time, apply the grease to the valve O-ring and sliding part after cleaning.
	5. The rubber lining surface of the valve is damaged.	5. Replace the valve.
	6. A foreign object is caught in the check valve seat. (AR20K to AR60K)	6. Replace the check valve assembly.
The set pressure level does not become zero (0) even when the knob is loosened.	1. A foreign object is caught in the valve seat or valve O-ring.	1. Remove the valve guide, and then clean the valve, valve seat, and valve O-ring. At this time, apply the grease to the valve O-ring and sliding part after cleaning.
	2. The rubber seat surface of the valve is damaged.	2. Replace the valve.
	3. The valve spring is broken.	3. Replace the valve spring.
	4. The valve is locked.	4. Clean the sliding surface of the valve O-ring and apply the grease.
	5. A foreign object is caught in the check valve seat. (AR20K to AR60K)	5. Replace the check valve assembly.
The air leaks from the exhaust port in the bonnet.	1. The diaphragm is damaged.	1. Replace the diaphragm assembly.
	2. The piston seal is damaged.	2. Replace the piston assembly or clean it. At this time, apply the grease to the piston seal and sliding surface.
	3. A foreign object is caught in the exhaust valve seat.	3. Clean the exhaust valve seat or replace the diaphragm assembly.
	4. A foreign object is caught in the valve seat or valve O-ring.	4. Remove the valve guide, and then clean the valve, valve seat, and valve O-ring. At this time, apply the grease to the valve O-ring and sliding part after cleaning.
	5. The rubber sheet surface of the valve is damaged.	5. Replace the valve.
	6. The back pressure exceeding the set pressure level is applied to the secondary side.	6. Review the air circuit so that the back pressure exceeding the set pressure level is not applied.
	7. A foreign object is caught in the check valve seat. (AR20K to AR60K)	7. Replace the check valve assembly.

[Regulator]

Trouble (Symptom)	Cause	Corrective action
The air leaks from the portion between the bonnet and body.	1. The bonnet screw is loose.	1. Retighten the bonnet screw.
	2. The diaphragm is damaged.	2. Replace the diaphragm assembly.
The air does not flow backward.	1. A foreign object is caught in the sliding part of the check valve, causing malfunction. (AR20K to AR60K)	1. Replace the check valve assembly.
	2. The check valve is locked. (AR20K to AR60K)	2. Replace the check valve assembly.

[Lubricator]

Trouble (Symptom)	Cause	Corrective action
The oil does not drop even when the air flows.	1. The equipment is not connected correctly.	1. Check the "IN", "OUT", and arrow marks on the equipment. If any incorrect connection is found, connect the equipment again.
	2. The oil volume inside the bowl is insufficient.	2. Supply the oil.
	3. The air consumption flow rate is insufficient.	3. Select an appropriate lubricator with a minimum dripping flow rate suitable for the flow rate to be used.
	4. The damper is damaged.	4. Replace the damper (assembly).
	5. The oil adjustment valve is closed.	5. Open the oil adjustment valve.
	6. The air leaks from the bowl or lubrication plug.	6. Replace the case O-ring or lubrication plug assembly.
	7. The element is clogged.	7. Replace the damper pushing air assembly.
	8. The air leaks from the sight dome.	8. Replace the sight dome assembly.
Air bubbles are mixed in the oil drop.	1. The oil passage pipe seal is damaged.	1. Replace the damper retainer air assembly.
	2. The oil volume inside the bowl is insufficient.	2. Supply the oil.
The air or oil leaks from the sight glass.	1. The sight dome is damaged.	1. Replace the sight dome assembly.
	2. The O-ring is damaged.	2. Replace the sight dome assembly.
The air leaks from the lubrication plug.	1. The O-ring is damaged.	1. Replace the lubrication plug assembly.
The air leaks from the portion between the bowl and body.	1. The bowl O-ring is damaged.	1. Replace the bowl O-ring. Apply the grease to the bowl O-ring and assemble it into the bowl.
The air leaks from the bowl	1. The bowl is damaged.	1. Replace the bowl assembly or replace the bowl with a metallic bowl.

Air Combination

AC-D Series



Air Filter + Regulator + Lubricator AC20-D to AC60-D

Options/Accessories/Part Nos.

Section	Model		Options/Accessories/part nos.					
			For AC20-D	For AC30-D	For AC40-D	For AC40-06-D	For AC50-D	For AC60-D
			For AC20A-D	For AC30A-D	For AC40A-D	For AC40A-06-D	For AC50A-D	For AC60A-D
			For AC20B-D	For AC30B-D	For AC40B-D	For AC40B-06-D	For AC50B-D	For AC60B-D
Option	Pressure gauge	Standard	G36-10-□01			G46-10-□01		
		Round type 0.02 to 0.2 MPa setting	G36-4-□01			G46-4-□01		
	Round type (with color zone)	Standard	G36-10-□01-L			G46-10-□01-L		
		0.02 to 0.2 MPa setting	G36-4-□01-L			G46-4-□01-L		
	Square embedded type*2	Standard	GC3-10AS-D [136150A (Pressure gauge cover only)]					
		0.02 to 0.2 MPa setting	GC3-4AS-D [136150A (Pressure gauge cover only)]					
	Digital pressure switch	NPN output, Wiring bottom entry		ISE35-N-25-MLA-X523 [ISE35-N-25-M (Switch body only)]*3				
				ISE35-R-25-MLA-X523 [ISE35-R-25-M (Switch body only)]*3				
		PNP output, Wiring bottom entry		ISE35-N-65-MLA-X523 [ISE35-N-65-M (Switch body only)]*3				
				ISE35-R-65-MLA-X523 [ISE35-R-65-M (Switch body only)]*3				
Float type auto drain*4	N.C.	AD27-D	AD37-D			AD47-D		
	N.O.	—	AD38-D			AD48-D		
Accessory	Spacer		Y200-D	Y300-D	Y400-D	Y500-D	Y600-D	
	Spacer with bracket		Y200T-D	Y300T-D	Y400T-D	Y500T-D	Y600T-D	

*1 □ in part numbers for a round type pressure gauge indicates a pipe thread type. No indication is necessary for R; however, indicate N for NPT. Please contact SMC regarding the connection thread NPT and pressure gauge supply for psi unit specifications.

*2 Including an O-ring and 2 mounting screws

*3 Lead wire with connector (2 m), adapter, lock pin, O-ring (1 pc.), mounting screws (2 pcs.) are attached. []: Switch body only

Regarding how to order the digital pressure switch, refer to the **Web Catalog**.

*4 Min. operating pressure: N.O. type—0.1 MPa; N.C. type—0.1 MPa (AD27-D) and 0.15 MPa (AD37-D/AD47-D). Please contact SMC separately for psi and °F unit display specifications.

Spacer / Spacer with Bracket

Replacement Parts/Part Nos.

Description	Material	Model				
		Y200-D Y200T-D	Y300-D Y300T-D	Y400-D Y400T-D	Y500-D Y500T-D	Y600-D Y600T-D
Seal	HNBR	Y220P-050S	Y320P-050S	Y420P-050S	Y520P-050S	Y620P-050S

AF20-D to AF60-D

The Replacement Procedure is on p. 556

Bowl Assembly/Part Nos.

Bowl material	Drain discharge mechanism	Drain port	Other	Model				
				AF20-D	AF30-D	AF40-D	AF40-06-D	AF50-D
Polycarbonate	Manual	With drain cock	—	C2SF-D	—	—	—	—
		Drain cock with barb fitting	With bowl guard	C2SF-C-D	C3SF-D	—	C4SF-D	—
		With drain guide (without valve function)	With bowl guard	C2SF□-J-D	—	—	C4SF-W-D	—
	Automatic*1 (Auto drain)	Normally closed (N.C.)	—	AD27-D	—	—	—	—
		Normally open (N.O.)	With bowl guard	AD27-C-D	AD37□-D	—	AD47□-D	—
		—	—	—	AD38□-D	—	AD48□-D	—
Nylon	Manual	With drain cock	—	C2SF-6-A	—	—	—	
		Drain cock with barb fitting	With bowl guard	C2SF-6C-A	C3SF-6-D	—	C4SF-6-D	—
		With drain guide (without valve function)	With bowl guard	—	C3SF-6W-D	—	C4SF-6W-D	—
	Automatic*1 (Auto drain)	Normally closed (N.C.)	—	AD27-6-A	—	—	—	—
		Normally open (N.O.)	With bowl guard	AD27-6C-A	AD37□-6-D	—	AD47□-6-D	—
		—	—	—	AD38□-6-D	—	AD48□-6-D	—
Metal	Manual	With drain cock	—	C2SF-2-A	C3SF-2-A	—	C4SF-2-A	—
		With drain guide (without valve function)	With level gauge	—	C3LF-8-A	—	C4LF-8-A	—
		—	—	C2SF□-2J-A	C3SF□-2J-A	—	C4SF□-2J-A	—
	Automatic*1 (Auto drain)	Normally closed (N.C.)	With level gauge	—	C3LF□-8J-A	—	C4LF□-8J-A	—
		Normally open (N.O.)	—	AD27-2-A	AD37□-2-A	—	AD47□-2-A	—
		—	With level gauge	—	AD37□-8-A	—	AD47□-8-A	—
—	—	—	AD38□-2-A	—	AD48□-2-A	—		
—	With level gauge	—	AD38□-8-A	—	AD48□-8-A	—		

*1 The bowl assembly comes with a bowl seal.
 □ in bowl assembly part numbers indicates a pipe thread type (applicable tubing for auto drain).
 No indication is necessary for Rc thread; however, indicate N for NPT thread, and F for G thread. (For auto drain, Nil: ø10, N: ø3/8")
 Please contact SMC separately for psi and °F unit display specifications.

Options/Part Nos.

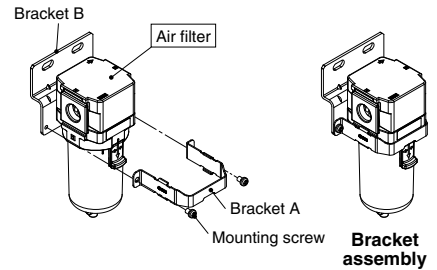
Optional specifications	Model					
	AF20-D	AF30-D	AF40-D	AF40-06-D	AF50-D	AF60-D
Bracket assembly*1	AF24P-070AS	AF34P-070AS	AF44P-070AS	AF49P-070AS	AF54P-070AS	
Auto drain	Refer to "Bowl Assembly/Part Nos."					

*1 The assembly of a bracket A/B and 2 mounting screws

Replacement Parts/Part Nos.

Description	Model					
	AF20-D	AF30-D	AF40-D	AF40-06-D	AF50-D	AF60-D
Filter element	AF20P-060S	AF30P-060S	AF40P-060S		AF50P-060S	AF60P-060S
Baffle	AF24P-040S	AF34P-040S	AF44P-040S		AF54P-040S	AF64P-040S
Bowl seal	C2SFP-260S	C32FP-260S	C42FP-260S			
Bowl assembly*1, *2	Refer to "Bowl Assembly/Part Nos."					

*1 The bowl assembly comes with a bowl seal.
 *2 Please contact SMC separately for psi and °F unit display specifications.



Actuators
 Rotary Actuators
 Air Grippers
 Modular F.R.L.
 Pressure Control Equipment
 Air Preparation Equipment
 Industrial Filters
 Replacement Procedure
 Actuators
 Rotary Actuators
 Air Grippers
 Modular F.R.L.
 Pressure Control Equipment
 Air Preparation Equipment
 Industrial Filters

Mist Separator / Micro Mist Separator

AFM20-D to AFM40-D / AFD20-D to AFD40-D

The Replacement Procedure is on p. 563

Bowl Assembly/Part Nos.

Bowl material	Drain discharge mechanism	Drain port	Other	Model			
				AFM20-D/AFD20-D	AFM30-D/AFD30-D	AFM40-D/AFD40-D	AFM40-06-D/AFD40-06-D
Polycarbonate	Manual	With drain cock	—	C2SF-D	—	—	—
		With bowl guard	With bowl guard	C2SF-C-D	C3SF-D	—	C4SF-D
		Drain cock with barb fitting	With bowl guard	—	C3SF-W-D	—	C4SF-W-D
		With drain guide (without valve function)	With bowl guard	C2SF□-J-D	C3SF□-J-D	—	C4SF□-J-D
	Automatic*1 (Auto drain)	Normally closed (N.C.)	—	AD27-D	—	—	—
		With bowl guard	With bowl guard	AD27-C-D	AD37□-D	—	AD47□-D
		Normally open (N.O.)	With bowl guard	—	AD38□-D	—	AD48□-D
		With bowl guard	With bowl guard	—	—	—	—
Nylon	Manual	With drain cock	—	C2SF-6-A	—	—	—
		With bowl guard	With bowl guard	C2SF-6C-A	C3SF-6-D	—	C4SF-6-D
		Drain cock with barb fitting	With bowl guard	—	C3SF-6W-D	—	C4SF-6W-D
		With drain guide (without valve function)	With bowl guard	C2SF□-6J-A	C3SF□-6J-D	—	C4SF□-6J-D
	Automatic*1 (Auto drain)	Normally closed (N.C.)	—	AD27-6-A	—	—	—
		With bowl guard	With bowl guard	AD27-6C-A	AD37□-6-D	—	AD47□-6-D
		Normally open (N.O.)	With bowl guard	—	AD38□-6-D	—	AD48□-6-D
		With bowl guard	With bowl guard	—	—	—	—
Metal	Manual	With drain cock	—	C2SF-2-A	C3SF-2-A	—	C4SF-2-A
		With level gauge	With level gauge	—	C3LF-8-A	—	C4LF-8-A
		With drain guide (without valve function)	With level gauge	C2SF□-2J-A	C3SF□-2J-A	—	C4SF□-2J-A
		With level gauge	With level gauge	—	C3LF□-8J-A	—	C4LF□-8J-A
	Automatic*1 (Auto drain)	Normally closed (N.C.)	—	AD27-2-A	AD37□-2-A	—	AD47□-2-A
		With level gauge	With level gauge	—	AD37□-8-A	—	AD47□-8-A
		Normally open (N.O.)	With level gauge	—	AD38□-2-A	—	AD48□-2-A
		With level gauge	With level gauge	—	AD38□-8-A	—	AD48□-8-A

*1 The bowl assembly comes with a bowl seal. □ in bowl assembly part numbers indicates a pipe thread type (applicable tubing for auto drain). No indication is necessary for Rc thread; however, indicate N for NPT thread, and F for G thread. (For auto drain, Nil: ø10, N: ø3/8")
Please contact SMC separately for psi and °F unit display specifications.

Options/Part Nos.

Optional specifications	Model			
	AFM20-D AFD20-D	AFM30-D AFD30-D	AFM40-D AFD40-D	AFM40-06-D AFD40-06-D
Bracket assembly*1	AF24P-070AS	AF34P-070AS	AF44P-070AS	AF49P-070AS
Auto drain	Refer to "Bowl Assembly/Part Nos."			

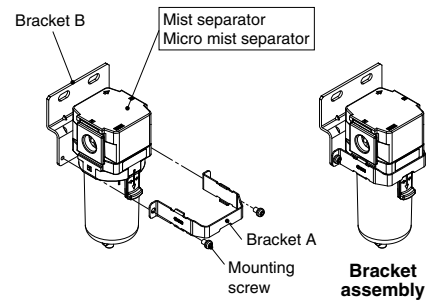
*1 The assembly of a bracket A/B and 2 mounting screws

Replacement Parts/Part Nos.

Description	Model			
	AFM20-D AFD20-D	AFM30-D AFD30-D	AFM40-D AFD40-D	AFM40-06-D AFD40-06-D
Element assembly	AFM20P-060AS	AFM30P-060AS	AFM40P-060AS	
AFD20 to 40-D	AFD20P-060AS	AFD30P-060AS	AFD40P-060AS	
Bowl seal	C2SFP-260S	C32FP-260S	C42FP-260S	
Bowl assembly*1, *2	Refer to "Bowl Assembly/Part Nos."			

*1 The bowl assembly comes with a bowl seal.

*2 Please contact SMC separately for psi and °F unit display specifications.



Regulator Regulator with Backflow Function

AR20-D to AR60-D AR20K-D to AR60K-D

The Replacement Procedure is on p. 568

Options/Part Nos.

Optional specifications			Model					
			AR20(K)-D	AR30(K)-D	AR40(K)-D	AR40(K)-06-D	AR50(K)-D	AR60(K)-D
Bracket assembly *1			AR23P-270AS	AR33P-270AS	AR43P-270AS		AR54P-270AS	
Set nut			AR23P-260S	AR33P-260S	AR43P-260S		—*2	
Pressure gauge *3	Round type	Standard	G36-10-□01			G46-10-□01		
		0.02 to 0.2 MPa setting	G36-4-□01			G46-4-□01		
	Round type (with color zone)	Standard	G36-10-□01-L			G46-10-□01-L		
		0.02 to 0.2 MPa setting	G36-4-□01-L			G46-4-□01-L		
	Square embedded type *4	Standard	GC3-10AS-D [136150A (Pressure gauge cover only)]					
		0.02 to 0.2 MPa setting	GC3-4AS-D [136150A (Pressure gauge cover only)]					
Digital pressure switch	NPN output, Wiring bottom entry		ISE35-N-25-MLA-X523 [ISE35-N-25-M (Switch body only)]*5					
	NPN output, Wiring top entry		ISE35-R-25-MLA-X523 [ISE35-R-25-M (Switch body only)]*5					
	PNP output, Wiring bottom entry		ISE35-N-65-MLA-X523 [ISE35-N-65-M (Switch body only)]*5					
	PNP output, Wiring top entry		ISE35-R-65-MLA-X523 [ISE35-R-65-M (Switch body only)]*5					

*1 The assembly of a bracket and set nuts. For the AR50(K)-D and AR60(K)-D, the assembly includes a bracket A/B and 2 mounting screws.

*2 Please contact SMC regarding the set nuts for the AR50(K)-D and AR60(K)-D.

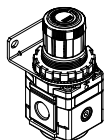
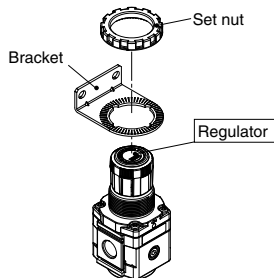
*3 □ in part numbers for a round pressure gauge indicates a pipe thread type. No indication is necessary for R; however, indicate N for NPT. Please contact SMC regarding the pressure gauge supply for both MPa and psi unit specifications.

*4 Including an O-ring and 2 mounting screws. []: Pressure gauge cover only

*5 In addition to the pressure switch body, lead wire with connector (2 m), adapter, lock pin, O-ring (1 pc.), mounting screws (2 pcs.) are attached.

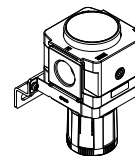
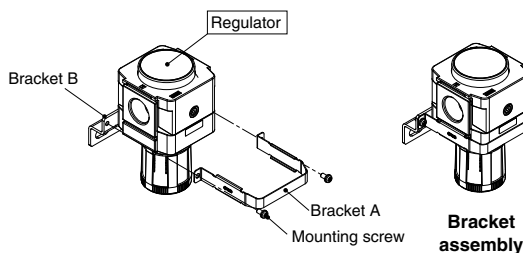
[]: Switch body only (For the digital pressure switch specifications, refer to the [Web Catalog](#).)

AR20(K)-D to AR40(K)-06-D



Bracket assembly

AR50(K)-D/AR60(K)-D



Bracket assembly

Replacement Parts/Part Nos.

Description		Model					
		AR20(K)-D	AR30(K)-D	AR40(K)-D	AR40(K)-06-D	AR50(K)-D	AR60(K)-D
Valve assembly		AR24P-060AS	AR34P-060AS	AR44P-060AS	AR49P-060AS	AR54P-060AS	AR64P-060AS
Diaphragm assembly	Relieving type	AR24P-150AS	AR34P-150AS	AR44P-150AS		AR54P-150AS	
	Non-relieving type	AR24P-150AS-N	AR34P-150AS-N	AR44P-150AS-N		AR54P-150AS-N	
Valve guide assembly		AR24P-050AS	AR34P-050AS	AR44P-050AS		AR54P-050AS	
Check valve assembly *1		AR24KP-020AS					

*1 The check valve assembly is applicable for a regulator with backflow function (AR20K-D to AR60K-D) only. The assembly of a check valve cover, check valve body assembly, and 2 mounting screws

Actuators
Rotary Actuators
Air Grippers
Modular F.R.L.
Pressure Control Equipment
Air Preparation Equipment
Industrial Filters
Replacement Procedure
Actuators
Rotary Actuators
Air Grippers
Modular F.R.L.
Pressure Control Equipment
Air Preparation Equipment
Industrial Filters

Common Supply Regulator / Common Supply Regulator with Backflow Function

AR20M-D to AR40M-D / AR20MK-D to AR40MK-D



Options/Part Nos.

Optional specifications		Model			
		AR20M(K)-D	AR30M(K)-D	AR40M(K)-D	
Bracket assembly *1		AR23P-270AS	AR33P-270AS	AR43P-270AS	
Set nut		AR23P-260S	AR33P-260S	AR43P-260S	
Pressure gauge *2	Round type	Standard	G36-10-□01		
		0.02 to 0.2 MPa setting	G36-4-□01		
	Round type (with color zone)	Standard	G36-10-□01-L		
		0.02 to 0.2 MPa setting	G36-4-□01-L		
	Square embedded type *3	Standard	GC3-10AS-D [136150A (Pressure gauge cover only)]		
		0.02 to 0.2 MPa setting	GC3-4AS-D [136150A (Pressure gauge cover only)]		
Digital pressure switch	NPN output, Wiring bottom entry	ISE35-N-25-MLA-X523 [ISE35-N-25-M (Switch body only)]*4			
	NPN output, Wiring top entry	ISE35-R-25-MLA-X523 [ISE35-R-25-M (Switch body only)]*4			
	PNP output, Wiring bottom entry	ISE35-N-65-MLA-X523 [ISE35-N-65-M (Switch body only)]*4			
	PNP output, Wiring top entry	ISE35-R-65-MLA-X523 [ISE35-R-65-M (Switch body only)]*4			

*1 The assembly of a bracket and set nuts

*2 □ in part numbers for a round pressure gauge indicates a pipe thread type. No indication is necessary for R; however, indicate N for NPT. Please contact SMC regarding the pressure gauge supply for psi unit specifications.

*3 Including an O-ring and 2 mounting screws. []: Pressure gauge cover only

*4 In addition to the pressure switch body, lead wire with connector (2 m), adapter, lock pin, O-ring (1 pc.), and mounting screws (2 pcs.) are attached.

[]: Switch body only (Regarding how to order the digital pressure switch, refer to the **Web Catalog**.)

Replacement Parts/Part Nos.

Description		Model		
		AR20M(K)-D	AR30M(K)-D	AR40M(K)-D
Valve assembly	Without backflow function	AR24P-060AS	AR34P-060AS	AR44P-060AS
	With backflow function	AR24KP-560AS	AR34KP-560AS	AR44KP-560AS
Diaphragm assembly	Relieving type	AR24P-150AS	AR34P-150AS	AR44P-150AS
	Non-relieving type	AR24P-150AS-N	AR34P-150AS-N	AR44P-150AS-N
Valve guide assembly		AR24P-050AS	AR34P-050AS	AR44P-050AS

AL20-D to AL60-D



Bowl Assembly/Part Nos.

Bowl material	Lubricant exhaust port	Other	Model				
			AL20-D	AL30-D	AL40-D	AL40-06-D	AL50-D
Polycarbonate	Without drain cock	—	C2SL-D	—	—	—	—
		With bowl guard	C2SL-C-D	C3SL-D	—	C4SL-D	—
	With drain cock	—	C2SL-3-D	—	—	—	—
		With bowl guard	C2SL-3C-D	C3SL-3-D	—	C4SL-3-D	—
	Drain cock with barb fitting	With bowl guard	—	C3SL-3W-D	—	C4SL-3W-D	
Nylon	Without drain cock	—	C2SL-6-A	—	—	—	—
		With bowl guard	C2SL-6C-A	C3SL-6-D	—	C4SL-6-D	—
	With drain cock	—	C2SL-36-A	—	—	—	—
		With bowl guard	C2SL-36C-A	C3SL-36-D	—	C4SL-36-D	—
	Drain cock with barb fitting	With bowl guard	—	C3SL-36W-D	—	C4SL-36W-D	
Metal	Without drain cock	—	C2SL-2-A	C3SL-2-A	—	C4SL-2-A	—
		With level gauge	—	C3LL-8-A	—	C4LL-8-A	—
	With drain cock	—	C2SL-23-A	C3SL-23-A	—	C4SL-23-A	—
		With level gauge	—	C3LL-38-A	—	C4LL-38-A	—

*1 The bowl assembly comes with a bowl seal. Please contact SMC separately for psi and °F unit display specifications.

Options/Part Nos.

Optional specifications	Model					
	AL20-D	AL30-D	AL40-D	AL40-06-D	AL50-D	AL60-D
Bracket assembly*1	AF24P-070AS	AF34P-070AS	AF44P-070AS	AF49P-070AS	AF54P-070AS	

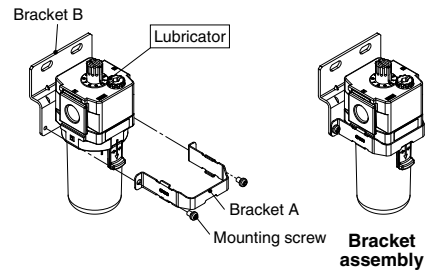
*1 The assembly of a bracket A/B and 2 mounting screws

Replacement Parts/Part Nos.

Description	Model				
	AL20-D	AL30-D	AL40-D	AL40-06-D	AL50-D
Sight dome assembly	AL20P-080AS				
Lubrication plug assembly	AL24P-060AS	AL34P-060AS	AL44P-060AS		
Damper retainer assembly	AL20P-030AS	AL30P-030AS	AL40P-030AS	AL54P-030AS	AL60P-030AS
Damper	AL20P-040S	AL30P-040S	AL44P-040S	AL60P-040AS	
Bowl seal	C2SFP-260S	C32FP-260S	C42FP-260S		
Bowl assembly*1, *2	Refer to "Bowl Assembly/Part Nos."				

*1 The bowl assembly comes with a bowl seal.

*2 Please contact SMC separately for psi and °F unit display specifications.



Actuators

Rotary Actuators
Air Grippers

Modular F.R.L.
Pressure Control Equipment

Air Preparation
Equipment

Industrial
Filters

Replacement
Procedure

Actuators

Rotary Actuators
Air Grippers

Modular F.R.L.
Pressure Control Equipment

Air Preparation Equipment
Industrial Filters

Filter Regulator Filter Regulator with Backflow Function

AW20-D to AW60-D AW20K-D to AW60K-D

The Replacement Procedure is on p. 592

Options/Part Nos.

Optional specifications			Model					
			AW20(K)-D	AW30(K)-D	AW40(K)-D	AW40(K)-06-D	AW60(K)-D	
Bracket assembly *1			AW23P-270AS	AR33P-270AS	AR43P-270AS		AR54P-270AS	
Set nut			AR23P-260S	AR33P-260S	AR43P-260S		—*2	
Pressure gauge *3	Round type	Standard	G36-10-□01		G46-10-□01			
		0.02 to 0.2 MPa setting	G36-4-□01		G46-4-□01			
	Round type (with color zone)	Standard	G36-10-□01-L		G46-10-□01-L			
		0.02 to 0.2 MPa setting	G36-4-□01-L		G46-4-□01-L			
	Square embedded type *4	Standard	GC3-10AS-D [136150A (Pressure gauge cover only)]					
		0.02 to 0.2 MPa setting	GC3-4AS-D [136150A (Pressure gauge cover only)]					
Digital pressure switch	NPN output, Wiring bottom entry		ISE35-N-25-MLA-X523 [ISE35-N-25-M (Switch body only)]*5					
	NPN output, Wiring top entry		ISE35-R-25-MLA-X523 [ISE35-R-25-M (Switch body only)]*5					
	PNP output, Wiring bottom entry		ISE35-N-65-MLA-X523 [ISE35-N-65-M (Switch body only)]*5					
	PNP output, Wiring top entry		ISE35-R-65-MLA-X523 [ISE35-R-65-M (Switch body only)]*5					

*1 The assembly of a bracket and set nuts

*2 For the AW60(K)-D, the assembly includes a bracket A/B and 2 mounting screws. Please contact SMC regarding the set nuts for the AW60(K)-D.

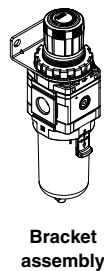
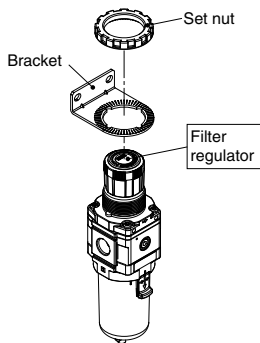
*3 □ in part numbers for a round type pressure gauge indicates a pipe thread type. No indication is necessary for R; however, indicate N for NPT. Please contact SMC regarding the pressure gauge supply for both MPa and psi unit specifications.

*4 Including an O-ring and 2 mounting screws. []: Pressure gauge cover only

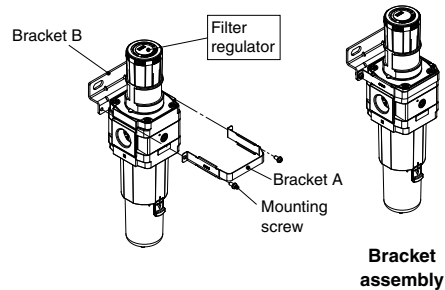
*5 In addition to the pressure switch body, lead wire with connector (2 m), adapter, lock pin, O-ring (1 pc.), mounting screws (2 pcs.) are attached.

[]: Switch body only (Regarding how to order the digital pressure switch, refer to the **Web Catalog**.)

AW20(K)-D to AW40(K)-06-D



AW60(K)-D



Filter Regulator Filter Regulator with Backflow Function

AW20-D to AW60-D AW20K-D to AW60K-D



Replacement Parts/Part Nos.

Description		Model				
		AW20(K)-D	AW30(K)-D	AW40(K)-D	AW40(K)-06-D	AW60(K)-D
Valve assembly		AW24P-060AS	AW34P-060AS	AW44P-060AS	AW49P-060AS	AW64P-060AS
Filter element		AF20P-060S	AF30P-060S	AF40P-060S		AW60P-060S
Baffle		AF24P-040S	AF34P-040S	AF44P-040S		AW64P-030S
Diaphragm assembly	Relieving type	AR24P-150AS	AR34P-150AS	AR44P-150AS		AR54P-150AS
	Non-relieving type	AR24P-150AS-N	AR34P-150AS-N	AR44P-150AS-N		AR54P-150AS-N
Bowl seal		C2SFP-260S	C32FP-260S	C42FP-260S		
Bowl assembly *1,*2		Refer to "Bowl Assembly/Part Nos."				
Check valve assembly *3		AR24KP-020AS				

*1 The bowl assembly comes with a bowl seal.

*2 Please contact SMC separately for psi and °F unit display specifications.

*3 The check valve assembly is applicable for a filter regulator with backflow function (AW20K-D to AW60K-D) only. The assembly includes a check valve cover, check valve body assembly, and 2 mounting screws.

Bowl Assembly/Part Nos.

Bowl material	Drain discharge mechanism	Drain port	Other	Model				
				AW20-D	AW30-D	AW40-D	AW40-06-D	AW60-D
Polycarbonate	Manual	With drain cock	—	C2SF-D	—	—		
			With bowl guard	C2SF-C-D	C3SF-D	C4SF-D		
		Drain cock with barb fitting	With bowl guard	—	C3SF-W-D	C4SF-W-D		
			With drain guide (without valve function)	—	C2SF□-J-D	—	—	
	Automatic*1 (Auto drain)	Normally closed (N.C.)	—	AD27-D	—	—		
			With bowl guard	AD27-C-D	AD37□-D	AD47□-D		
		Normally open (N.O.)	With bowl guard	—	AD38□-D	AD48□-D		
			—	AD27-6-A	—	—		
Nylon	Manual	With drain cock	—	C2SF-6-A	—	—		
			With bowl guard	C2SF-6C-A	C3SF-6-D	C4SF-6-D		
		Drain cock with barb fitting	With bowl guard	—	C3SF-6W-D	C4SF-6W-D		
			With drain guide (without valve function)	—	C2SF□-6J-A	—	—	
	Automatic*1 (Auto drain)	Normally closed (N.C.)	—	AD27-6-A	—	—		
			With bowl guard	AD27-6C-A	AD37□-6-D	AD47□-6-D		
		Normally open (N.O.)	With bowl guard	—	AD38□-6-D	AD48□-6-D		
			—	AD27-2-A	C3SF-2-A	C4SF-2-A		
Metal	Manual	With drain cock	—	C2SF-2-A	C3SF-2-A	C4SF-2-A		
			With level gauge	—	C3LF-8-A	C4LF-8-A		
		With drain guide (without valve function)	—	C2SF□-2J-A	C3SF□-2J-A	C4SF□-2J-A		
			With level gauge	—	C3LF□-8J-A	C4LF□-8J-A		
	Automatic*1 (Auto drain)	Normally closed (N.C.)	—	AD27-2-A	AD37□-2-A	AD47□-2-A		
			With level gauge	—	AD37□-8-A	AD47□-8-A		
		Normally open (N.O.)	—	—	AD38□-2-A	AD48□-2-A		
			With level gauge	—	AD38□-8-A	AD48□-8-A		

*1 The bowl assembly comes with a bowl seal.

□ in bowl assembly part numbers indicates a pipe thread type (applicable tubing for auto drain).

No indication is necessary for Rc thread; however, indicate N for NPT thread, and F for G thread. (For auto drain, Nil: ø10, N: ø3/8")

Please contact SMC separately for psi and °F unit display specifications.

Actuators
 Rotary Actuators
 Air Grippers
 Modular F.R.L.
 Pressure Control Equipment
 Air Preparation Equipment
 Industrial Filters
 Replacement Procedure
 Actuators
 Rotary Actuators
 Air Grippers
 Modular F.R.L.
 Pressure Control Equipment
 Air Preparation Equipment
 Industrial Filters

Mist Separator Regulator / Micro Mist Separator Regulator

AWM20-D to AWM40-D / AWD20-D to AWD40-D

The Replacement Procedure is on p. 592

Options/Part Nos.

Optional specifications			Model		
			AWM20-D/AWD20-D	AWM30-D/AWD30-D	AWM40-D/AWD40-D
Bracket assembly *1			AW23P-270AS	AR33P-270AS	AR43P-270AS
Set nut			AR23P-260S	AR33P-260S	AR43P-260S
Pressure gauge *2	Round type	Standard	G36-10-□01		G46-10-□01
		0.05 to 0.2 MPa setting	G36-4-□01		G46-4-□01
	Round type (with color zone)	Standard	G36-10-□01-L		G46-10-□01-L
		0.05 to 0.2 MPa setting	G36-4-□01-L		G46-4-□01-L
	Square embedded type *3	Standard	GC3-10AS-D [136150A (Pressure gauge cover only)]		
		0.05 to 0.2 MPa setting	GC3-4AS-D [136150A (Pressure gauge cover only)]		
Digital pressure switch	NPN output, Wiring bottom entry		ISE35-N-25-MLA-X523 [ISE35-N-25-M (Switch body only)]*4		
	NPN output, Wiring top entry		ISE35-R-25-MLA-X523 [ISE35-R-25-M (Switch body only)]*4		
	PNP output, Wiring bottom entry		ISE35-N-65-MLA-X523 [ISE35-N-65-M (Switch body only)]*4		
	PNP output, Wiring top entry		ISE35-R-65-MLA-X523 [ISE35-R-65-M (Switch body only)]*4		

*1 The assembly of a bracket and set nuts

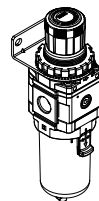
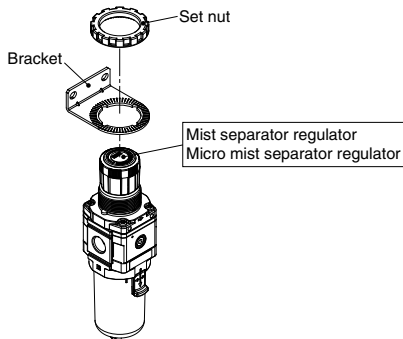
*2 □ in part numbers for a round type pressure gauge indicates a pipe thread type. No indication is necessary for R; however, indicate N for NPT. Please contact SMC regarding the pressure gauge supply for both MPa and psi unit specifications.

*3 Including an O-ring and 2 mounting screws. []: Pressure gauge cover only

*4 In addition to the pressure switch body, lead wire with connector (2 m), adapter, lock pin, O-ring (1 pc.), mounting screws (2 pcs.) are attached.

[]: Switch body only (Regarding how to order the digital pressure switch, refer to the [Web Catalog](#).)

AWM20 to 40-D, AWD20 to 40-D



Bracket assembly

Replacement Parts/Part Nos.

Description		Model		
		AWM20-D/AWD20-D	AWM30-D/AWD30-D	AWM40-D/AWD40-D
Valve assembly		AWM24P-090AS	AWM34P-090AS	AWM44P-090AS
Element assembly	AWM	AFM20P-060AS	AFM30P-060AS	AFM40P-060AS
	AWD	AFD20P-060AS	AFD30P-060AS	AFD40P-060AS
Diaphragm assembly	Relieving type	AR24P-150AS	AR34P-150AS	AR44P-150AS
	Non-relieving type	AR24P-150AS-N	AR34P-150AS-N	AR44P-150AS-N
Bowl seal		C2SFP-260S	C32FP-260S	C42FP-260S
Bowl assembly *1, *2		Refer to "Bowl Assembly/Part Nos."		

*1 The bowl assembly comes with a bowl seal.

*2 Please contact SMC separately for psi and °F unit display specifications.

AC-A Series



Air Filter + Regulator + Lubricator AC10-A to AC40-A

Options/Attachments/Part Nos.

Section	Model		Options/Attachments part nos.					
			AC10-A	AC20-A	AC25-A	AC30-A	AC40-A	AC40-06-A
			AC10A-A	AC20A-A	—	AC30A-A	AC40A-A	AC40A-06-A
Type	AC10B-A		AC20B-A	AC25B-A	AC30B-A	AC40B-A	AC40B-06-A	
	—		AC20C-A	AC25C-A	AC30C-A	AC40C-A	AC40C-06-A	
Option	Round type (with color zone)	Standard	G27-10-R1	—	—	—	—	
		0.02 to 0.2 MPa setting	G27-10-R1 <small>Note 2)</small>	—	—	—	—	
Pressure gauge (R1)	Round type	Standard	—	—	—	—	—	
		0.02 to 0.2 MPa setting	—	—	—	—	—	
Attachment	Round type	Standard	—	—	—	—	—	
		0.02 to 0.2 MPa setting	—	—	—	—	—	
Attachment	Spacer		Y100-A	Y200-A	Y300-A	Y400-A	Y500-A	
	Spacer with bracket		Y100T-A	Y200T-A	Y300T-A	Y400T-A	Y500T-A	
	Check valve <small>Note 3, 4)</small>		—	AKM2000-□01-A (□02)-A	AKM3000-(□01)-A □02-A	AKM4000-(□02)-A □03-A	—	
	Pressure switch <small>Note 4)</small>		—	IS10M-20-A	IS10M-30-A	IS10M-40-A	IS10M-50-A	
	T-spacer <small>Note 3, 4)</small>		Y110-M5-A	Y210-□01-A (□02)-A	Y310-(□01)-A □02-A	Y410-(□02)-A □03-A	Y510-(□02)-A □03-A	
	Pressure relief 3 port valve <small>Note 4)</small>		—	VHS20-□01A □02A	VHS30-□02A □03A	VHS40-□03A □04A	VHS40-□06A	
	Piping adapter <small>Note 4)</small>		E100-M5-A	□01-A E200-□02-A □03-A	□02-A E300-□03-A □04-A	□02-A E400-□03-A □04-A □06-A	E500-□06-A	
	Pressure switch with piping adapter <small>Note 4)</small>		—	□01-A IS10E-20□02-A □03-A	□02-A IS10E-30□03-A □04-A	□02-A IS10E-40□03-A □04-A □06-A	—	
	Cross spacer <small>Note 4)</small>		Y14-M5-A	Y24-□01-A □02-A	Y34-□01-A □02-A	Y44-□02-A □03-A	Y54-□03-A □04-A	

Note 1) □ in round pressure gauge part numbers indicates a pipe thread type. No indication is necessary for R; however, indicate N for NPT.
Please contact SMC regarding the pipe thread type NPT and the supply of pressure gauge with psi unit display specifications.

Note 2) Standard pressure gauge

Note 3) For F.R.L. units, port sizes without () are standard specifications.

Note 4) Separate spacers are required for modular unit.

Actuators
Rotary Actuators
Air Grippers
Modular F.R.L.
Pressure Control Equipment
Air Preparation
Equipment
Industrial Filters
Replacement
Procedure
Actuators
Rotary Actuators
Air Grippers
Modular F.R.L.
Pressure Control Equipment
Air Preparation
Equipment
Industrial Filters

Air Combination

AC-B Series

Air Filter + Regulator + Lubricator
AC20-B to AC60-B

Options/Attachments/Part Nos.

Section	Model		Options/Attachments part nos.									
			AC20-B	AC25-B	AC30-B	AC40-B	AC40-06-B	AC50-B	AC55-B	AC60-B		
			AC20A-B	—	AC30A-B	AC40A-B	AC40A-06-B	AC50A-B	—	AC60A-B		
	Type	AC20B-B	AC25B-B	AC30B-B	AC40B-B	AC40B-06-B	AC50B-B	AC55B-B	AC60B-B	—	—	—
		AC20C-B	AC25C-B	AC30C-B	AC40C-B	AC40C-06-B	—	—	—	—	—	—
		AC20D-B	—	AC30D-B	AC40D-B	AC40D-06-B	—	—	—	—	—	—
Option	Pressure gauge (Note 1)	Round type	Standard			G36-10-□01			G46-10-□01			
		0.02 to 0.2 MPa setting	—			G36-4-□01			G46-4-□01			
	Pressure gauge (with color zone)	Round type	Standard			G36-10-□01-L			G46-10-□01-L			
		0.02 to 0.2 MPa setting	—			G36-4-□01-L			G46-4-□01-L			
	Pressure gauge (Square embedded type Note 2)	Standard	GC3-10AS [GC3P-010AS (Pressure gauge cover only)]									
		0.02 to 0.2 MPa setting	GC3-4AS [GC3P-010AS (Pressure gauge cover only)]									
	Digital pressure switch	NPN output, Wiring bottom entry	ISE35-N-25-MLA [ISE35-N-25-M (Switch body only)] Note 3)									
		NPN output, Wiring top entry	ISE35-R-25-MLA [ISE35-R-25-M (Switch body only)] Note 3)									
		PNP output, Wiring bottom entry	ISE35-N-65-MLA [ISE35-N-65-M (Switch body only)] Note 3)									
		PNP output, Wiring top entry	ISE35-R-65-MLA [ISE35-R-65-M (Switch body only)] Note 3)									
	Float type auto drain (Note 4)	N.O.	—	AD38-A			AD48-A			—		
		N.C.	AD27-A	AD37-A			AD47-A			—		
	Attachment	Spacer	Y200-A	Y300-A			Y400-A	Y500-A	Y600-A			
		Spacer with bracket	Y200T-A	Y300T-A			Y400T-A	Y500T-A	Y600T-A			
		Check valve (Note 5, 6)	AKM2000-□01-A (□02)-A	AKM3000-(□01)-A □02-A			AKM4000-(□02)-A □03-A	—	—	—	—	—
Pressure switch (Note 6)		IS10M-20-A	IS10M-30-A			IS10M-40-A	IS10M-50-A	IS10M-60-A				
T-spacer (Note 5, 6)		Y210-□01-A (□02)-A	Y310-(□01)-A □02-A			Y410-(□02)-A □03-A	Y510-(□02)-A □03-A	Y610-□03-A (□04)-A	Y610-(□03)-A □04-A			
Pressure relief 3 port valve (Note 6)		VHS20-□01A □02A	VHS30-□02A □03A			□02A VHS40-□03A □04A	VHS40-□06A	VHS50-□06A □10A	—	—	—	
Piping adapter (Note 6)		□01-A E200-□02-A □03-A	□02-A E300-□03-A □04-A			□02-A E400-□03-A □04-A □06-A	E500-□06-A	E600-□06-A □10-A				
Pressure switch with piping adapter (Note 6)		□01-A IS10E-20□02-A □03-A	□02-A IS10E-30□03-A □04-A			□02-A IS10E-40□03-A □04-A □06-A	—	—	—	—	—	
Cross spacer (Note 6)		Y24-□01-A □02-A	Y34-□01-A □02-A			Y44-□02-A □03-A	Y54-□03-A □04-A	—	—	—	—	

Note 1) □ in part numbers for a round type pressure gauge indicates a pipe thread type. No indication is necessary for R; however, indicate N for NPT. Please contact SMC regarding the connection thread NPT and pressure gauge supply for psi unit specifications.

Note 2) Including an O-ring and 2 mounting screws

Note 3) Lead wire with connector (2 m), adapter, lock pin, O-ring (1 pc.), mounting screw (2 pcs.) are attached. []: Switch body only.
 Also, regarding how to order the digital pressure switch, refer to the **Web Catalog**.

Note 4) Min. operating pressure: N.O. type-0.1 MPa; N.C. type-0.1 MPa (AD27-A) and 0.15 MPa (AD37-A/AD47-A). Please consult with SMC separately for psi and °F unit display specifications.

Note 5) For F.R.L. units, port sizes without () are standard specifications.

Note 6) Separate spacers are required for modular unit.

Air Combination

ACG-B Series

Air Filter + Regulator + Lubricator ACG20-B to ACG40-B

Options/Attachments/Part Nos.

Section	Description		Model	Options/Attachment/part nos.		
	Standard	Semi-standard		For ACG20-B	For ACG30-B	For ACG40-B
Option	Pressure gauge*1	Standard	0 to 1.0 MPa	GB2-10AS	GB3-10AS	GB4-10AS
		Semi-standard	0 to 0.3 MPa	GB2-3AS	GB3-3AS	GB4-3AS
Option	Float type auto drain	N.C.	AD27-A	AD37-A	AD47-A	
		N.O.	—	AD38-A	AD48-A	
Attachment	Spacer		Y200-A	Y300-A	Y400-A	
	Spacer with bracket		Y200T-A	Y300T-A	Y400T-A	
	Check valve*3, *4		AKM2000-□01-A	AKM3000-(□01-A)	AKM4000-(□02-A)	
			(□02-A)	□02-A	□03-A	
	Pressure switch*4, *5		IS10M-20-A	IS10M-30-A	IS10M-40-A	
Pressure relief 3-port valve*4		VHS20-□01A □02A	VHS30-□02A □03A	□02A VHS40-□03A □04A		

*1 Contact SMC regarding pressure gauge supply for psi unit specifications.

*2 Min. operating pressure: 0.1 MPa for N.O. type, 0.1 MPa for N.C. type (AD27-A) and 0.15 MPa for N.C. type (AD37-A and AD47-A). Contact SMC for psi and °F specifications.

*3 For F.R.L. units, port sizes not in () are for standard application.

*4 Separate spacers are required for modular unit.

*5 The pressure switch cannot be mounted on the inlet and outlet sides of an ARG-B with an upward facing knob (semi-standard specification: -Y).

Filter Regulator + Lubricator ACG20A-B to ACG40A-B

Options/Attachments/Part Nos.

Section	Description		Model	Options/Attachments/part nos.		
	Standard	Semi-standard		For ACG20A-B	For ACG30A-B	For ACG40A-B
Option	Pressure gauge*1	Standard	0 to 1.0 MPa	GB2-10AS	GB3-10AS	GB4-10AS
		Semi-standard	0 to 0.3 MPa	GB2-3AS	GB3-3AS	GB4-3AS
Option	Float type auto drain	N.C.	AD27-A	AD37-A	AD47-A	
		N.O.	—	AD38-A	AD48-A	
Attachment	Spacer		Y200-A	Y300-A	Y400-A	
	Spacer with bracket		Y200T-A	Y300T-A	Y400T-A	
	Check valve*3, *4		AKM2000-□01-A	AKM3000-(□01-A)	AKM4000-(□02-A)	
			(□02-A)	□02-A	□03-A	
	Pressure relief 3-port valve*4		VHS20-□01A □02A	VHS30-□02A □03A	□02A VHS40-□03A □04A	

*1 Contact SMC regarding pressure gauge supply for psi unit specifications.

*2 Min. operating pressure: 0.1 MPa for N.O. type, 0.1 MPa for N.C. type (AD27-A) and 0.15 MPa for N.C. type (AD37-A and AD47-A). Contact SMC for psi and °F specifications.

*3 For F.R.L. units, port sizes not in () are for standard application.

*4 Separate spacers are required for modular unit.

Air Filter + Regulator ACG20B-B to ACG40B-B

Options/Attachments/Part Nos.

Section	Description		Model	Options/Attachments/part no.		
	Standard	Semi-standard		For ACG20B-B	For ACG30B-B	For ACG40B-B
Option	Pressure gauge*1	Standard	0 to 1.0 MPa	GB2-10AS	GB3-10AS	GB4-10AS
		Semi-standard	0 to 0.3 MPa	GB2-3AS	GB3-3AS	GB4-3AS
Option	Float type auto drain	N.C.	AD27-A	AD37-A	AD47-A	
		N.O.	—	AD38-A	AD48-A	
Attachment	Spacer		Y200-A	Y300-A	Y400-A	
	Spacer with bracket		Y200T-A	Y300T-A	Y400T-A	
	Pressure switch*3, *4		IS10M-20-A	IS10M-30-A	IS10M-40-A	
	Pressure relief 3-port valve*3		VHS20-□01A	VHS30-□02A	□02A	
			□02A	□03A	VHS40-□03A □04A	

*1 Contact SMC regarding pressure gauge supply for psi unit specifications.

*2 Min. operating pressure: 0.1 MPa for N.O. type, 0.1 MPa for N.C. type (AD27-A) and 0.15 MPa for N.C. type (AD37-A and AD47-A). Contact SMC for psi and °F specifications.

*3 Separate spacers are required for modular unit.

*4 The pressure switch cannot be mounted on the inlet and outlet sides of an ARG-B with an upward facing knob (semi-standard specification: -Y).

Actuators
 Rotary Actuators
 Air Grippers
 Modular F.R.L.
 Pressure Control Equipment
 Air Preparation
 Equipment
 Industrial Filters
 Replacement
 Procedure
 Actuators
 Rotary Actuators
 Air Grippers
 Modular F.R.L.
 Pressure Control Equipment
 Air Preparation
 Equipment
 Industrial Filters

ACG-B Series

Air Filter + Mist Separator + Regulator ACG20C-B to ACG40C-B

Options/Attachments/Part Nos.

Section	Description		Options/Attachments/part nos.		
		Model	For ACG20C-B	For ACG30C-B	For ACG40C-B
Pressure gauge*1	Standard	0 to 1.0 MPa	GB2-10AS	GB3-10AS	GB4-10AS
	Semi-standard	0 to 0.3 MPa	GB2-3AS	GB3-3AS	GB4-3AS
Option	Float type auto drain	N.C.	AD27-A	AD37-A	AD47-A
		N.O.	—	AD38-A	AD48-A
Attachment	Spacer		Y200-A	Y300-A	Y400-A
	Spacer with bracket		Y200T-A	Y300T-A	Y400T-A
	Pressure switch*3, *4		IS10M-20-A	IS10M-30-A	IS10M-40-A
	Pressure relief 3-port valve*3		VHS20-□01A □02A	VHS30-□02A □03A	□02A VHS40-□03A □04A

*1 Contact SMC regarding pressure gauge supply for psi unit specifications.

*2 Min. operating pressure: 0.1 MPa for N.O. type, 0.1 MPa for N.C. type (AD27-A) and 0.15 MPa for N.C. type (AD37-A and AD47-A). Contact SMC for psi and °F specifications.

*3 Separate spacers are required for modular unit.

*4 The pressure switch cannot be mounted on the inlet and outlet sides of an ARG-B with an upward facing knob (semi-standard specification: -Y).

Filter Regulator + Mist Separator ACG20D-B to ACG40D-B

Options/Attachments/Part Nos.

Section	Description		Options/Attachments/part nos.		
		Model	For ACG20D-B	For ACG30D-B	For ACG40D-B
Pressure gauge*1	Standard	0 to 1.0 MPa	GB2-10AS	GB3-10AS	GB4-10AS
	Semi-standard	0 to 0.3 MPa	GB2-3AS	GB3-3AS	GB4-3AS
Option	Float type auto drain	N.C.	AD27-A	AD37-A	AD47-A
		N.O.	—	AD38-A	AD48-A
Attachment	Spacer		Y200-A	Y300-A	Y400-A
	Spacer with bracket		Y200T-A	Y300T-A	Y400T-A
	Pressure relief 3-port valve*3		VHS20-□01A □02A	VHS30-□02A □03A	□02A VHS40-□03A □04A

*1 Contact SMC regarding pressure gauge supply for psi unit specifications.

*2 Min. operating pressure: 0.1 MPa for N.O. type, 0.1 MPa for N.C. type (AD27-A) and 0.15 MPa for N.C. type (AD37-A and AD47-A). Contact SMC for psi and °F specifications.

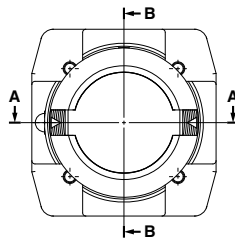
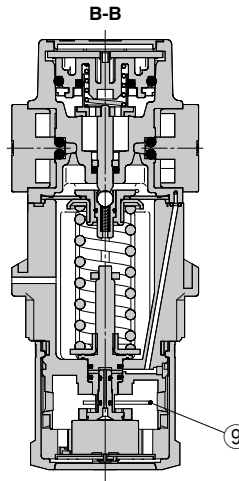
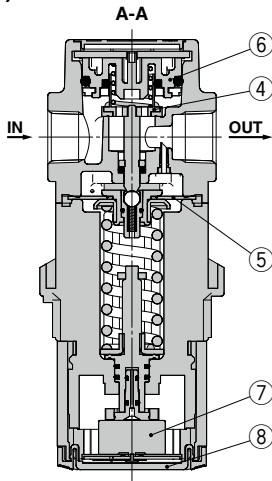
*3 Separate spacers are required for modular unit.

Regulator with Built-in Pressure Gauge / Regulator with Built-in Pressure Gauge with Backflow Function

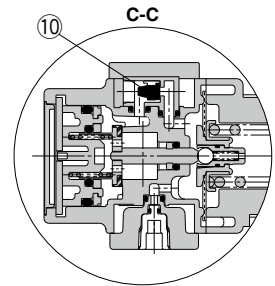
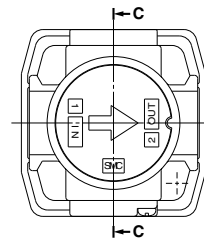
ARG20-B to ARG40-B / ARG20K-B to ARG40K-B

Construction

ARG20(K)-B to ARG40(K)-B



ARG20K-B to ARG40K-B (Regulator with Built-in Pressure Gauge with Backflow Function)



Replacement Parts/Part Nos.

No.	Description	Material	Model		
			ARG20(K)-B	ARG30(K)-B	ARG40(K)-B
4	Valve	Brass, HNBR	AR20P-410S	AR30P-410S	AR40P-410S
5	Diaphragm assembly	Weatherable NBR	AR20P-150AS	AR30P-150AS	AR40P-150AS
6	Valve guide assembly	POM/NBR	AR20P-050AS	AR30P-050AS	AR40P-050AS
7	Pressure gauge*1	—	GB2-10AS	GB3-10AS	GB4-10AS
8	Pressure gauge cover	PC	ARG20P-400S	ARG30P-400S	ARG40P-400S
9	Clip	Stainless steel	ARG20P-420S	ARG30P-420S	ARG40P-420S
10	Check valve assembly*2	—	AR23KP-020AS		

*1 Only the standard part numbers are listed in the pressure gauges. For the semi-standard part numbers, refer to the optional part numbers.

*2 The check valve assembly is applicable for a filter regulator with backflow function (ARG20K-B to ARG40K-B) only. The assembly of a check valve cover, check valve body assembly and 2 mounting screws

Options/Part Nos.

Optional specifications			Model		
			ARG20(K)-B	ARG30(K)-B	ARG40(K)-B
Bracket assembly*1			ARG23P-270AS	ARG33P-270AS	ARG43P-270AS
Set nut			ARG23P-260S	ARG33P-260S	ARG43P-260S
Pressure gauge	Standard	1.0 MPa	GB2-10AS	GB3-10AS	GB4-10AS
		0.3 MPa	GB2-3AS	GB3-3AS	GB4-3AS
	Semi-standard	1.0 MPa/150 psi	GB2-10AS-X101	GB3-10AS-X101	GB4-10AS-X101
		0.3 MPa/45 psi	GB2-3AS-X101	GB3-3AS-X101	GB4-3AS-X101

*1 The assembly of a bracket and set nuts

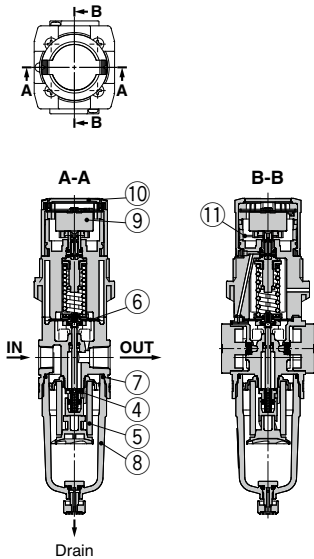
Actuators
 Rotary Actuators
 Air Grippers
 Modular F.R.L.
 Pressure Control Equipment
 Air Preparation
 Equipment
 Industrial Filters
 Replacement
 Procedure
 Actuators
 Rotary Actuators
 Air Grippers
 Modular F.R.L.
 Pressure Control Equipment
 Air Preparation
 Equipment
 Industrial Filters

Filter Regulator with Built-in Pressure Gauge / Filter Regulator with Built-in Pressure Gauge with Backflow Function

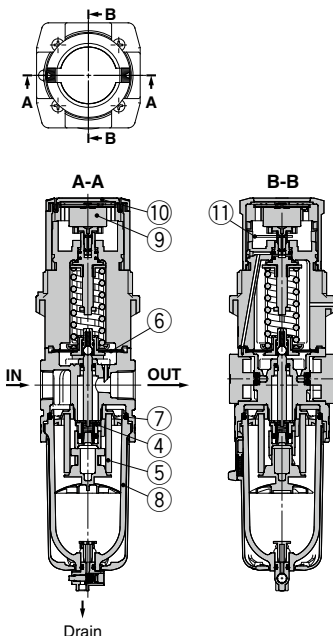
AWG20-B to AWG40-B / AWG20K-B to AWG40K-B

Construction

AWG20(K)-B

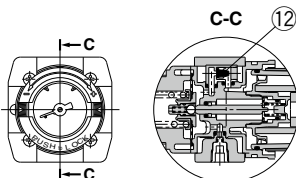


AWG30(K)-B/AWG40(K)-B



AWG20K-B to AWG40K-B

(Filter Regulator with Built-in Pressure Gauge with Backflow Function)



Replacement Parts/Part Nos.

No.	Description	Material	Model		
			AWG20(K)-B	AWG30(K)-B	AWG40(K)-B
4	Valve assembly	Brass, HNBR	AW20P-340AS	AW30P-340AS	AW40P-340AS
5	Element	Non-woven fabric	AF20P-060S	AF30P-060S	AF40P-060S
6	Diaphragm assembly	Weatherable NBR	AR20P-150AS	AR30P-150AS	AR40P-150AS
7	Bowl seal	NBR	C2SFP-260S	C32FP-260S	C42FP-260S
8	Bowl assembly*1	PC	C2SF-A	C3SF-A*2	C4SF-A*2
9	Pressure gauge*3	—	GB2-10AS	GB3-10AS	GB4-10AS
10	Pressure gauge cover	PC	ARG20P-400S	ARG30P-400S	ARG40P-400S
11	Clip	Stainless steel	ARG20P-420S	ARG30P-420S	ARG40P-420S
12	Check valve assembly*4	—	AR23KP-020AS		

*1 The bowl assembly comes with a bowl seal. Please consult with SMC separately for psi and °F unit display specifications.

*2 The bowl assembly for the AWG30(K)-B and AWG40(K)-B models comes with a bowl guard (Material: Polycarbonate).

*3 Only the standard part numbers are listed in the pressure gauges. For the semi-standard part numbers, refer to the optional part numbers.

*4 The check valve assembly is applicable for a filter regulator with backflow function (AWG20K-B to AWG40K-B) only.

The assembly of a check valve cover, check valve body assembly and 2 mounting screws

Options/Part Nos.

Optional specifications	Model				
	AWG20(K)-B	AWG30(K)-B	AWG40(K)-B		
Bracket assembly*1	ARG23P-270AS	ARG33P-270AS	ARG43P-270AS		
Set nut	ARG23P-260S	ARG33P-260S	ARG43P-260S		
Pressure gauge	Standard	1.0 MPa	GB2-10AS	GB3-10AS	GB4-10AS
	Semi-standard	0.3 MPa	GB2-3AS	GB3-3AS	GB4-3AS
		1.0 MPa/150 psi	GB2-10AS-X101	GB3-10AS-X101	GB4-10AS-X101
		0.3 MPa/45 psi	GB2-3AS-X101	GB3-3AS-X101	GB4-3AS-X101

*1 The assembly of a bracket and set nuts

Bowl Assembly/Part Nos.

Bowl material	Drain discharge mechanism	Drain port	Other	Model		
				AWG20(K)-B	AWG30(K)-B	AWG40(K)-B
Polycarbonate	Manual	With drain cock	—	C2SF-A	—	—
		With bowl guard	C2SF-C-A	C3SF-A	C4SF-A	
		Drain cock with barb fitting	With bowl guard	—	C3SF-W-A	C4SF-W-A
	Automatic*1 (Auto drain)	With drain guide (without valve function)	With bowl guard	C2SF□-J-A	—	—
		Normally closed (N.C.)	—	AD27-A	—	—
		Normally open (N.O.)	With bowl guard	AD27-C-A	AD37□-A	AD47□-A
Nylon	Manual	With drain cock	—	C2SF-6-A	—	—
		With bowl guard	C2SF-6C-A	C3SF-6-A	C4SF-6-A	
		Drain cock with barb fitting	With bowl guard	—	C3SF-6W-A	C4SF-6W-A
	Automatic*1 (Auto drain)	With drain guide (without valve function)	With bowl guard	C2SF□-6J-A	—	—
		Normally closed (N.C.)	—	AD27-6-A	—	—
		Normally open (N.O.)	With bowl guard	AD27-6C-A	AD37□-6-A	AD47□-6-A
Metal	Manual	With drain cock	—	C2SF-2-A	C3SF-2-A	C4SF-2-A
		With level gauge	—	C3LF-8-A	C4LF-8-A	
		With drain guide (without valve function)	—	C2SF□-2J-A	C3SF□-2J-A	C4SF□-2J-A
	Automatic*1 (Auto drain)	With level gauge	—	C3LF□-8J-A	C4LF□-8J-A	
		Normally closed (N.C.)	—	AD27-2-A	AD37□-2-A	AD47□-2-A
		Normally open (N.O.)	With level gauge	—	AD37□-8-A	AD47□-8-A
With level gauge	—	AD38□-2-A	AD48□-2-A			
With level gauge	—	AD38□-8-A	AD48□-8-A			

*1 Min. operating pressure: N.O. type—0.1 MPa (AD38-A, AD48-A); N.C. type—0.1 MPa (AD27-A) and 0.15 MPa (AD37-A, AD47-A).

The bowl assembly comes with a bowl seal.

□ in bowl assembly part numbers indicates a pipe thread type (applicable tubing for auto drain).

No indication is necessary for Rc thread; however, indicate N for NPT thread, and F for G thread. (For auto drain, Nil: ø10, N: ø3/8")

Please consult with SMC separately for psi and °F unit display specifications.

Air Combination

ACG Series

Air Filter + Regulator + Lubricator ACG20/30/40

Options/Attachments/Part Nos.

Description			Options/Attachments part nos.		
			Model	ACG20	ACG30
Pressure gauge ^{Note 1)}	Standard	0 to 1.0 MPa	GB2-10AS	GB3-10AS	GB4-10AS
	Optional	0 to 0.3 MPa	GB2-3AS	GB3-3AS	GB4-3AS
Options Float type auto drain ^{Note 2)}		N.C.	AD27	AD37	AD47
		N.O.	-	AD38	AD48
Attachments	Spacer		Y200	Y300	Y400
	Spacer with bracket		Y200T	Y300T	Y400T
	Check valve ^{Note 3, 4)}		AKM2000-□01, (□02)	AKM3000-(□01), □02	AKM4000-(□02), □03
	Pressure switch ^{Note 4, 5)}		IS10M-20	IS10M-30	IS10M-40
	Residual pressure relief 3 port valve ^{Note 4)}		VHS20-□01, □02	VHS30-□02, □03	VHS40-□02, □03, □04

Note 1) Contact SMC regarding pressure gauge supply for psi unit specifications.

Note 2) Min. operating pressure: 0.1 MPa for N.O. type, 0.1 MPa for N.C. type (AD27) and 0.15 MPa for N.C. type (AD37 and 47). Contact SMC for psi and °F specifications.

Note 3) For F.R.L. units, port sizes not in () are for standard application.

Note 4) Separate spacers are required for modular unit.

Note 5) The pressure switch cannot be mounted on the inlet and outlet sides of an ARG with an upward facing knob (optional specification: -Y).

Filter Regulator + Lubricator ACG20A/30A/40A

Options/Attachments/Part Nos.

Description			Options/Attachments part nos.		
			Model	ACG20A	ACG30A
Pressure gauge ^{Note 1)}	Standard	0 to 1.0 MPa	GB2-10AS	GB3-10AS	GB4-10AS
	Optional	0 to 0.3 MPa	GB2-3AS	GB3-3AS	GB4-3AS
Options Float type auto drain ^{Note 2)}		N.C.	AD27	AD37	AD47
		N.O.	-	AD38	AD48
Attachments	Spacer ^{Note 3, 4)}		Y200	Y300	Y400
	Spacer with bracket		Y200T	Y300T	Y400T
	Check valve		AKM2000-□01, (□02)	AKM3000-(□01), □02	AKM4000-(□02), □03
	Residual pressure relief 3 port valve ^{Note 4)}		VHS20-□01, □02	VHS30-□02, □03	VHS40-□02, □03, □04

Note 1) Contact SMC regarding pressure gauge supply for psi unit specifications.

Note 2) Min. operating pressure: 0.1 MPa for N.O. type, 0.1 MPa for N.C. type (AD27) and 0.15 MPa for N.C. type (AD37 and 47). Contact SMC for psi and °F specifications.

Note 3) For F.R.L. units, port sizes not in () are for standard application.

Note 4) Separate spacers are required for modular unit.

Air Filter + Regulator ACG20B/30B/40B

Options/Attachments/Part Nos.

Description			Options/Attachments part nos.		
			Model	ACG20B	ACG30B
Pressure gauge ^{Note 1)}	Standard	0 to 1.0 MPa	GB2-10AS	GB3-10AS	GB4-10AS
	Optional	0 to 0.3 MPa	GB2-3AS	GB3-3AS	GB4-3AS
Options Float type auto drain ^{Note 2)}		N.C.	AD27	AD37	AD47
		N.O.	-	AD38	AD48
Attachments	Spacer		Y200	Y300	Y400
	Spacer with bracket		Y200T	Y300T	Y400T
	Pressure switch ^{Note 3, 4)}		IS10M-20	IS10M-30	IS10M-40
	Residual pressure relief 3 port valve ^{Note 3)}		VHS20-□01, □02	VHS30-□02, □03	VHS40-□02, □03, □04

Note 1) Contact SMC regarding pressure gauge supply for psi unit specifications.

Note 2) Min. operating pressure: 0.1 MPa for N.O. type, 0.1 MPa for N.C. type (AD27) and 0.15 MPa for N.C. type (AD37 and 47). Contact SMC for psi and °F specifications.

Note 3) Separate spacers are required for modular unit.

Note 4) The pressure switch cannot be mounted on the inlet and outlet sides of an ARG with an upward facing knob (optional specification: -Y).

Rotary Actuators
 Air Grippers
 Modular F.R.L. Pressure Control Equipment
 Air Preparation Equipment
 Industrial Filters
 Replacement Procedure
 Actuators
 Rotary Actuators
 Air Grippers
 Modular F.R.L. Pressure Control Equipment
 Air Preparation Equipment
 Industrial Filters

ACG Series

Air Filter + Mist Separator + Regulator

ACG20C/30C/40C**Options/Attachments/Part Nos.**

Description			Options/Attachments part nos.		
		Model	ACG20C	ACG30C	ACG40C
Pressure gauge ^{Note 1)}	Standard	0 to 1.0 MPa	GB2-10AS	GB3-10AS	GB4-10AS
	Optional	0 to 0.3 MPa	GB2-3AS	GB3-3AS	GB4-3AS
Options Float type auto drain ^{Note 2)}		N.C.	AD27	AD37	AD47
		N.O.	—	AD38	AD48
Attachments Spacer			Y200	Y300	Y400
			Y200T	Y300T	Y400T
			IS10M-20	IS10M-30	IS10M-40
			VHS20-□01, □02	VHS30-□02, □03	VHS40-□02, □03, □04

Note 1) Contact SMC regarding pressure gauge supply for psi unit specifications.

Note 2) Min. operating pressure: 0.1 MPa for N.O. type, 0.1 MPa for N.C. type (AD27) and 0.15 MPa for N.C. type (AD37 and 47). Contact SMC for psi and °F specifications.

Note 3) Separate spacers are required for modular unit.

Note 4) The pressure switch cannot be mounted on the inlet and outlet sides of an ARG with an upward facing knob (optional specification: -Y).

Filter Regulator + Mist Separator

ACG20D/30D/40D**Options/Attachments/Part Nos.**

Description			Options/Attachments part nos.		
		Model	ACG20D	ACG30D	ACG40D
Pressure gauge ^{Note 1)}	Standard	0 to 1.0 MPa	GB2-10AS	GB3-10AS	GB4-10AS
	Optional	0 to 0.3 MPa	GB2-3AS	GB3-3AS	GB4-3AS
Options Float type auto drain ^{Note 2)}		N.C.	AD27	AD37	AD47
		N.O.	—	AD38	AD48
Attachments Spacer			Y200	Y300	Y400
			Y200T	Y300T	Y400T
			IS10M-20	IS10M-30	IS10M-40
			VHS20-□01, □02	VHS30-□02, □03	VHS40-□02, □03, □04

Note 1) Contact SMC regarding pressure gauge supply for psi unit specifications.

Note 2) Min. operating pressure: 0.1 MPa for N.O. type, 0.1 MPa for N.C. type (AD27) and 0.15 MPa for N.C. type (AD37 and 47). Contact SMC for psi and °F specifications.

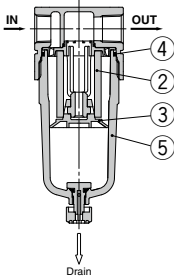
Note 3) Separate spacers are required for modular unit.

AF10-A to AF60-A

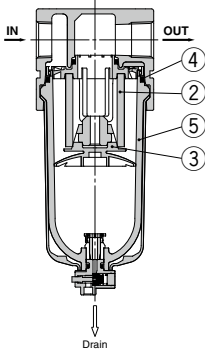


Construction

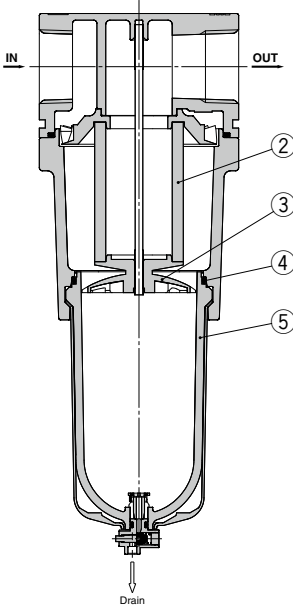
AF10-A/AF20-A



AF30-A to AF40-6-A



AF50-A/AF60-A



* The numbers correspond with those in the "Construction" of the AF series in the Web Catalog.

Replacement Parts/Part Nos.

No.	Description	Material	Model					
			AF10-A	AF20-A	AF30-A	AF40-A	AF40-6-A	AF50-A
②	Filter element	Non-woven fabric	AF10P-060S	AF20P-060S	AF30P-060S	AF40P-060S	AF50P-060S	AF60P-060S
③	Baffle	PBT	AF10P-040S ^{Note 2)}	AF22P-040S	AF32P-040S	AF42P-040S	AF50P-040S	AF60P-040S
④	Bowl seal	NBR	C1SFP-260S	C2SFP-260S	C32FP-260S	C42FP-260S		
⑤	Bowl assembly ^{Note 1)}	Polycarbonate	C1SF-A	C2SF-A	C3SF-A	C4SF-A		

Note 1) The AF20-A to AF60-A models come with a bowl seal. Please contact SMC regarding the supply of bowl assembly with psi and °F unit display specifications.
 Note 2) The baffle material for the AF10-A (AF10P-040S) only is polyacetal.

Options/Part Nos.

Optional specifications	Model						
	AF10-A	AF20-A	AF30-A	AF40-A	AF40-6-A	AF50-A	AF60-A
Bracket assembly ^{Note)}	—	AF22P-050AS	AF32P-050AS	AF42P-050AS	AF42P-070AS	AF52P-050AS	

Note) The assembly of a bracket and 2 mounting screws

Bowl Assembly/Part Nos.

Bowl material	Drain discharge mechanism	Drain port	Other	Model					
				AF10-A	AF20-A	AF30-A	AF40-A	AF40-6-A	AF50-A
Polycarbonate	Manual discharge	With drain cock	—	C1SF-A	C2SF-A	—	—	—	—
		Drain cock with barb fitting	With bowl guard	—	C2SF-C-A	C3SF-A	—	C4SF-A	—
		With drain guide (without valve function)	With bowl guard	—	C2SF□-J-A	C3SF□-J-A	—	C4SF□-J-A	—
	Automatic discharge (Auto drain) ^{Note)}	Normally closed (N.C.)	—	AD17-A	AD27-A	—	—	—	—
		With bowl guard	—	AD27-C-A	AD37□-A	—	AD47□-A	—	
		Normally open (N.O.)	With bowl guard	—	AD38□-A	—	AD48□-A	—	
Nylon	Manual discharge	With drain cock	—	C1SF-6-A	C2SF-6-A	—	—	—	
		Drain cock with barb fitting	With bowl guard	—	C2SF-6C-A	C3SF-6-A	—	C4SF-6-A	
		With drain guide (without valve function)	With bowl guard	—	C2SF□-6J-A	C3SF□-6J-A	—	C4SF□-6J-A	
	Automatic discharge (Auto drain) ^{Note)}	Normally closed (N.C.)	—	AD17-6-A	AD27-6-A	—	—	—	
		With bowl guard	—	AD27-6C-A	AD37□-6-A	—	AD47□-6-A	—	
		Normally open (N.O.)	With bowl guard	—	AD38□-6-A	—	AD48□-6-A	—	
Metal	Manual discharge	With drain cock	—	C1SF-2-A	C2SF-2-A	C3SF-2-A	—	C4SF-2-A	
		With drain guide (without valve function)	With level gauge	—	—	C3LF-8-A	—	C4LF-8-A	
		With level gauge	—	—	C2SF□-2J-A	C3SF□-2J-A	—	C4SF□-2J-A	
	Automatic discharge (Auto drain) ^{Note)}	Normally closed (N.C.)	With level gauge	—	—	C3LF□-8J-A	—	C4LF□-8J-A	
		With level gauge	—	AD17-2-A	AD27-2-A	AD37□-2-A	—	AD47□-2-A	
		Normally open (N.O.)	With level gauge	—	—	AD38□-2-A	—	AD48□-2-A	

Note) Min. operating pressure: N.O. type—0.1 MPa (AD38-A, AD48-A); N.C. type—0.1 MPa (AD17-A, AD27-A) and 0.15 MPa (AD37-A, AD47-A).

The bowl assembly for the AF20-A to AF60-A models comes with a bowl seal.

□ in bowl assembly part numbers indicates a pipe thread type (applicable tubing for auto drain).

No indication is necessary for Rc thread; however, indicate N for NPT thread, and F for G thread. (For auto drain, Nil: ø10, N: ø3/8")

Please consult with SMC separately for psi and °F unit display specifications.

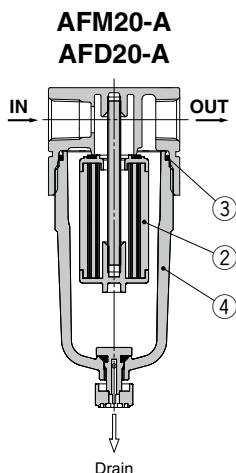
Actuators
 Rotary Actuators
 Air Grippers
 Modular F.R.L.
 Pressure Control Equipment
 Air Preparation Equipment
 Industrial Filters
 Replacement Procedure
 Actuators
 Rotary Actuators
 Air Grippers
 Modular F.R.L.
 Pressure Control Equipment
 Air Preparation Equipment
 Industrial Filters

Mist Separator / Micro Mist Separator

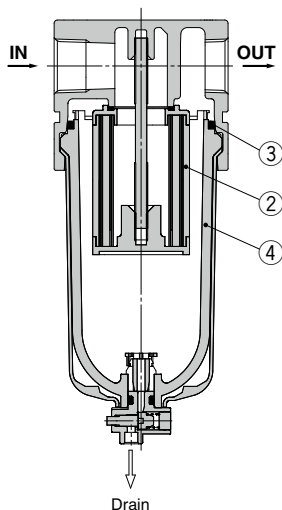
AFM20-A to AFM40-A / AFD20-A to AFD40-A

The Replacement Procedure is on p. 622

Construction



AFM30-A to AFM40-06-A AFD30-A to AFD40-06-A



* The numbers correspond with those in the "Construction" of the AFM/AFD series in the Web Catalog.

Replacement Parts/Part Nos.

No.	Description	Material	Model			
			AFM20-A AFD20-A	AFM30-A AFD30-A	AFM40-A AFD40-A	AFM40-06-A AFD40-06-A
②	Element assembly	AFM20 to 40 AFD20 to 40	— —	AFM20P-060AS AFD20P-060AS	AFM30P-060AS AFD30P-060AS	AFM40P-060AS AFD40P-060AS
③	Bowl seal	NBR	C2SFP-260S	C32FP-260S	C42FP-260S	
④	Bowl assembly ^{Note)}	Polycarbonate	C2SF-A	C3SF-A	C4SF-A	

Note) Including a bowl O-ring. Please contact SMC regarding the supply of bowl assembly with psi and °F unit display specifications.

Options/Part Nos.

Optional specifications	Model			
	AFM20-A AFD20-A	AFM30-A AFD30-A	AFM40-A AFD40-A	AFM40-06-A AFD40-06-A
Bracket assembly ^{Note 1)}	AF22P-050AS	AF32P-050AS	AF42P-050AS	AF42P-070AS
Float type auto drain ^{Note 2, 3)}	N.C.	AD27-A	AD37-A	AD47-A
	N.O.	—	AD38-A	AD48-A

Note 1) The assembly of a bracket and 2 mounting screws

Note 2) Min. operating pressure: N.O. type—0.1 MPa; N.C. type—0.1 MPa (AD27-A) and 0.15 MPa (AD37-A/AD47-A).

Please consult with SMC separately for psi and °F unit display specifications.

Note 3) Please consult with SMC for details on drain piping to fit NPT or G port sizes.

Bowl Assembly/Part Nos.

Bowl material	Drain discharge mechanism	Drain port	Other	Model			
				AFM20-A AFD20-A	AFM30-A AFD30-A	AFM40-A AFD40-A	AFM40-06-A AFD40-06-A
Polycarbonate	Manual discharge	With drain cock	—	C2SF-A	—	—	—
		With bowl guard	With bowl guard	C2SF-C-A	C3SF-A	C4SF-A	—
		Drain cock with barb fitting	With bowl guard	—	C3SF-W-A	C4SF-W-A	—
	^{Note)} Automatic discharge (Auto drain)	With drain guide (without valve function)	With bowl guard	—	C2SF□-J-A	—	—
		With bowl guard	With bowl guard	—	C2SF□-CJ-A	C3SF□-J-A	C4SF□-J-A
		Normally closed (N.C.)	With bowl guard	—	AD27-A	—	—
Nylon	Manual discharge	With drain cock	—	AD27-C-A	AD37□-A	AD47□-A	
		With bowl guard	With bowl guard	—	AD38□-A	AD48□-A	
		Normally open (N.O.)	With bowl guard	—	AD38□-A	AD48□-A	
	^{Note)} Automatic discharge (Auto drain)	Normally closed (N.C.)	With bowl guard	—	AD27-6-A	—	—
		With bowl guard	With bowl guard	—	C2SF-6-A	C3SF-6-A	C4SF-6-A
		Drain cock with barb fitting	With bowl guard	—	C2SF-6C-A	C3SF-6W-A	C4SF-6W-A
Manual discharge	With drain guide (without valve function)	With bowl guard	—	C3SF-6J-A	—	—	
	With bowl guard	With bowl guard	—	C2SF□-6CJ-A	C3SF□-6J-A	C4SF□-6J-A	
	Normally closed (N.C.)	With bowl guard	—	AD27-6-A	—	—	
Metal	Manual discharge	With drain cock	With bowl guard	AD27-6C-A	AD37□-6-A	AD47□-6-A	
		With bowl guard	With bowl guard	—	AD38□-6-A	AD48□-6-A	
		Normally open (N.O.)	With bowl guard	—	AD38□-6-A	AD48□-6-A	
	^{Note)} Automatic discharge (Auto drain)	Normally closed (N.C.)	With level gauge	—	AD27-2-A	AD37□-2-A	AD47□-2-A
		With level gauge	With level gauge	—	C2SF-2-A	C3SF-2-A	C4SF-2-A
		With level gauge	With level gauge	—	C3LF-8-A	C4LF-8-A	
Manual discharge	With drain guide (without valve function)	With level gauge	—	C2SF□-2J-A	C3SF□-2J-A	C4SF□-2J-A	
	With level gauge	With level gauge	—	C3LF□-8J-A	C4LF□-8J-A		
	Normally closed (N.C.)	With level gauge	—	AD27-2-A	AD37□-2-A	AD47□-2-A	
^{Note)} Automatic discharge (Auto drain)	Normally closed (N.C.)	With level gauge	—	AD37□-8-A	AD47□-8-A		
	With level gauge	With level gauge	—	AD38□-2-A	AD48□-2-A		
	With level gauge	With level gauge	—	AD38□-8-A	AD48□-8-A		

Note) Min. operating pressure: N.O. type—0.1 MPa (AD38-A, AD48-A); N.C. type—0.1 MPa (AD17-A, AD27-A) and 0.15 MPa (AD37-A, AD47-A).

The bowl assembly for the AFM20-A to AFM40-06-A, AFD20-A to AFD40-06-A models comes with a bowl seal.

□ in bowl assembly part numbers indicates a pipe thread type (applicable tubing for auto drain). No indication is necessary for Rc thread; however, indicate N for NPT thread, and F for G thread. (For auto drain, Nil: ø10, N: ø3/8")

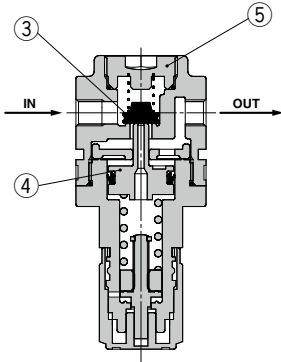
Please consult with SMC separately for psi and °F unit display specifications.

AR10-A to AR40-A

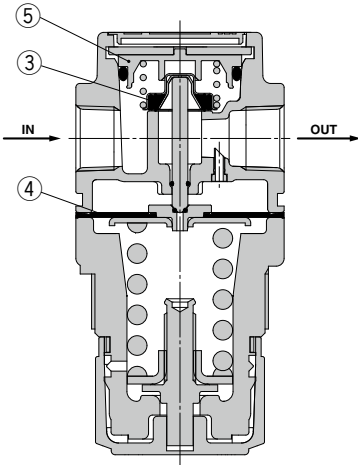


Construction

AR10-A



AR20-A to 40-06-A



* The numbers correspond with those in the "Construction" of the AR series in the [Web Catalog](#).

Replacement Parts/Part Nos.

No.	Description	Material	Model				
			AR10-A	AR20-A	AR25-A	AR30-A	AR40-A
③	Valve assembly	Stainless steel/HNBR	AR10P-090S	AR22P-060AS	AR32P-060AS	AR42P-060AS	
④	Diaphragm assembly	Weatherable NBR	AR10P-150AS ^{Note)}	AR22P-150AS	AR32P-150AS	AR42P-150AS	
⑤	Valve guide assembly	Polyacetal	131329	AR22P-050AS	AR32P-050AS	AR42P-050AS	

Note) The AR10-A is a piston type. The assembly of a piston and a seal (KSYP-13)

Options/Part Nos.

Optional specifications	Model					
	AR10-A	AR20-A	AR25-A	AR30-A	AR40-A	AR40-06-A
Bracket assembly ^{Note 1)}	AR12P-270AS	AR22P-270AS	AR27P-270AS	AR32P-270AS	AR42P-270AS	AR42P-270AS
Set nut	AR12P-260S	AR22P-260S	AR22P-260S	AR32P-260S	AR42P-260S	AR42P-260S
Pressure gauge	Round type ^{Note 2)}	Standard	G27-10-R1	G36-10-□01	G46-10-□01	
		0.02 to 0.2 MPa setting	G27-10-R1 ^{Note 3)}	G36-4-□01	G46-4-□01	
Pressure gauge	Round type (with color zone) ^{Note 2)}	Standard	—	G36-10-□01-L	G46-10-□01-L	
		0.02 to 0.2 MPa setting	—	G36-4-□01-L	G46-4-□01-L	

Note 1) The assembly of a bracket and set nuts

Note 2) □ in round pressure gauge part numbers indicates a pipe thread type. No indication is necessary for R; however, indicate N for NPT.

Please contact SMC regarding the pipe thread type NPT and the supply of pressure gauge with psi unit display specifications.

Note 3) Standard pressure gauge

Actuators

Rotary Actuators
Air Grippers

Modular F.R.L.
Pressure Control Equipment

Air Preparation
Equipment

Industrial Filters

Replacement
Procedure

Actuators

Rotary Actuators
Air Grippers

Modular F.R.L.
Pressure Control Equipment

Air Preparation Equipment
Industrial Filters

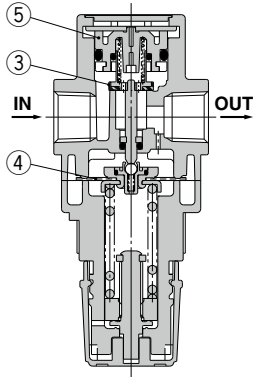
Regulator Regulator with Backflow Function

AR20-B to AR60-B / AR20K-B to AR60K-B

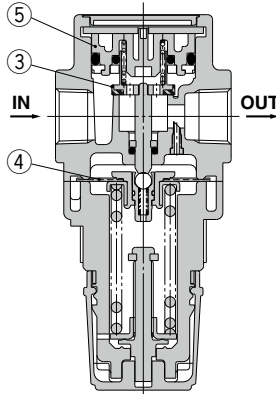
The Replacement Procedure is on p. 635

Construction

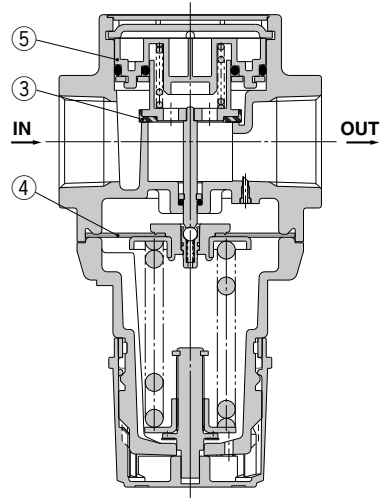
AR20(K)-B/AR25(K)-B



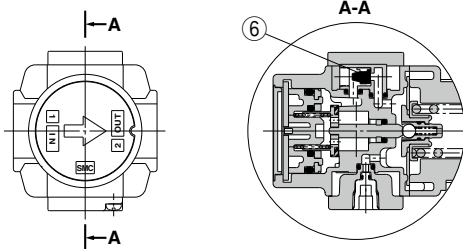
AR30(K)-B/AR40(K)-B



AR50(K)-B/AR60(K)-B



AR20K-B to AR60K-B (Regulator with Backflow Function)



* The numbers correspond with those in the "Construction" of the AR series in the Web Catalog.

Replacement Parts/Part Nos.

No.	Description	Material	Model					
			AR20(K)-B	AR25(K)-B	AR30(K)-B	AR40(K)-B	AR40(K)-06-B	AR50(K)-B
③	Valve	Brass/HNBR	AR20P-410S	AR25P-410S	AR30P-410S	AR40P-410S	AR50P-410S	AR60P-410S
④	Diaphragm assembly	Weatherable NBR	AR20P-150AS	AR25P-150AS	AR30P-150AS	AR40P-150AS	AR50P-150AS	
⑤	Valve guide assembly	Polyacetal	AR20P-050AS	AR25P-050AS	AR30P-050AS	AR40P-050AS	AR50P-050AS	AR60P-050AS
⑥	Check valve assembly <small>(Note)</small>	—	AR23KP-020AS					

Note) The check valve assembly is applicable for a regulator with backflow function (AR20K-B to AR60K-B) only. The assembly of a check valve cover, check valve body assembly and 2 mounting screws

Options/Part Nos.

Option		Model	AR20(K)-B	AR25(K)-B	AR30(K)-B	AR40(K)-B	AR40(K)-06-B	AR50(K)-B	AR60(K)-B	
Bracket assembly <small>Note 1)</small>			AR23P-270AS	AR28P-270AS	AR33P-270AS	AR43P-270AS		AR52P-270AS		
Set nut			AR23P-260S	AR28P-260S	AR33P-260S	AR43P-260S		— <small>Note 2)</small>		
Pressure gauge	Round type <small>Note 3)</small>	Standard	G36-10-□01				G46-10-□01			
		0.02 to 0.2 MPa setting	G36-4-□01				G46-4-□01			
	Round type (with color zone) <small>Note 3)</small>	Standard	G36-10-□01-L				G46-10-□01-L			
		0.02 to 0.2 MPa setting	G36-4-□01-L				G46-4-□01-L			
Square embedded type <small>Note 4)</small>	Standard	GC3-10AS [GC3P-010AS (Pressure gauge cover only)]								
	0.02 to 0.2 MPa setting	GC3-4AS [GC3P-010AS (Pressure gauge cover only)]								
Digital pressure switch <small>Note 5)</small>		NPN output, Wiring bottom entry	ISE35-N-25-MLA [ISE35-N-25-M (Switch body only)]							
		NPN output, Wiring top entry	ISE35-R-25-MLA [ISE35-R-25-M (Switch body only)]							
		PNP output, Wiring bottom entry	ISE35-N-65-MLA [ISE35-N-65-M (Switch body only)]							
		PNP output, Wiring top entry	ISE35-R-65-MLA [ISE35-R-65-M (Switch body only)]							

Note 1) The assembly of a bracket and set nuts. Including 2 mounting screws for the AR50(K)-B and AR60(K)-B

Note 2) Please consult with SMC regarding the set nuts for the AR50(K)-B and AR60(K)-B.

Note 3) □ in part numbers for a round pressure gauge indicates a pipe thread type. No indication is necessary for R; however, indicate N for NPT.

Please contact SMC regarding the pressure gauge supply for psi unit specifications.

Note 4) Including an O-ring and 2 mounting screws. []: Pressure gauge cover only

Note 5) In addition to the pressure switch body, lead wire with connector (2 m), adapter, lock pin, O-ring (1 pc.), mounting screw (2 pcs.) are attached.

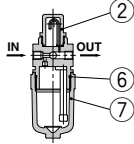
[]: Switch body only. (Regarding how to order the digital pressure switch, refer to the Web Catalog.)

AL10-A to AL60-A

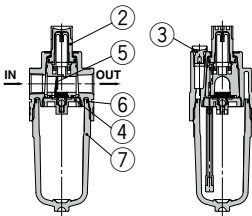
The Replacement Procedure is on p. 642

Construction

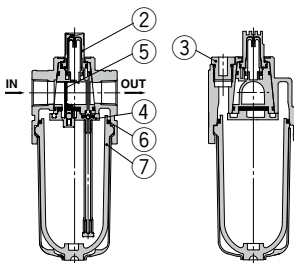
AL10-A



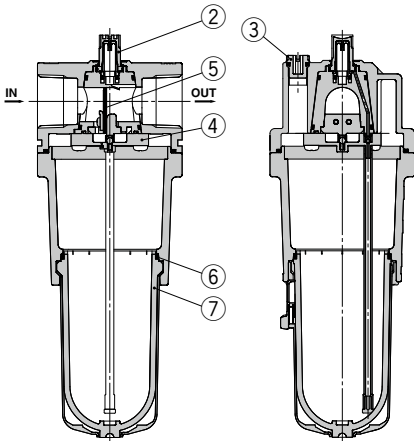
AL20-A



AL30-A/AL40-A



AL50-A/AL60-A



Replacement Parts/Part Nos.

No.	Description	Material	Model						
			AL10-A	AL20-A	AL30-A	AL40-A	AL40-06-A	AL50-A	AL60-A
②	Sight dome assembly	Polycarbonate	AL10P-080AS	AL20P-080AS					
③	Lubrication plug assembly	—	—	AL22P-060AS	AL32P-060AS	AL42P-060AS			
④	Bumper retainer assembly	—	—	AL20P-030AS	AL30P-030AS	AL40P-030AS	AL50P-030AS	AL60P-030AS	
⑤	Bumper (assembly)	Synthetic resin	—	AL20P-040S	AL30P-040S	AL40P-040S	AL50P-040AS	AL60P-040AS	
⑥	Bowl seal	NBR	C1SFP-260S	C2SFP-260S	C32FP-260S	C42FP-260S			
⑦	Bowl assembly ^(Note)	Polycarbonate	C1SL-A	C2SL-A	C3SL-A	C4SL-A			

Note) · The AL20-A to AL60-A models come with a bowl seal. Please consult with SMC separately for psi and °F unit display specifications.

· The bowl assembly for the AL30-A to AL60-A models comes with a bowl guard (Material: Polycarbonate).

Options/Part Nos.

Optional specifications	Model						
	AL10-A	AL20-A	AL30-A	AL40-A	AL40-06-A	AL50-A	AL60-A
Bracket assembly ^(Note)	—	AF22P-050AS	AF32P-050AS	AF42P-050AS	AF42P-070AS	AF52P-050AS	

Note) The assembly of a bracket and 2 mounting screws

Bowl Assembly/Part Nos.

Bowl material	Lubricant exhaust port	Other	Model					
			AL10-A	AL20-A	AL30-A	AL40-A	AL40-06-A	AL50-A
Polycarbonate	Without drain cock	—	C1SL-A	C2SL-A	—	—		
		With bowl guard	—	C2SL-C-A	C3SL-A	C4SL-A		
	With drain cock	—	C1SL-3-A	C2SL-3-A	—	—		
		With bowl guard	—	C2SL-3C-A	C3SL-3-A	C4SL-3-A		
Nylon	Without drain cock	—	C1SL-6-A	C2SL-6-A	—	—		
		With bowl guard	—	C2SL-6C-A	C3SL-6-A	C4SL-6-A		
	With drain cock	—	C1SL-36-A	C2SL-36-A	—	—		
		With bowl guard	—	C2SL-36C-A	C3SL-36-A	C4SL-36-A		
Metal	Without drain cock	—	C1SL-2-A	C2SL-2-A	C3SL-2-A	C4SL-2-A		
		With level gauge	—	—	C3LL-8-A	C4LL-8-A		
	With drain cock	—	C1SL-23-A	C2SL-23-A	C3SL-23-A	C4SL-23-A		
		With level gauge	—	—	C3LL-38-A	C4LL-38-A		

Note) · The AL20-A to AL60-A models come with a bowl seal.

· Please consult with SMC separately for psi and °F unit display specifications.

* The numbers correspond with those in the "Construction" of the AL series in the Web Catalog.

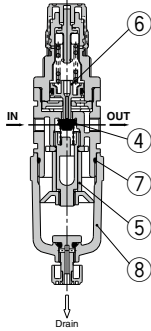
Actuators
 Rotary Actuators
 Air Grippers
 Modular F.R.L.
 Pressure Control Equipment
 Air Preparation Equipment
 Industrial Filters
 Replacement Procedure
 Actuators
 Rotary Actuators
 Air Grippers
 Modular F.R.L.
 Pressure Control Equipment
 Air Preparation Equipment
 Industrial Filters

AW10-A to AW40-A

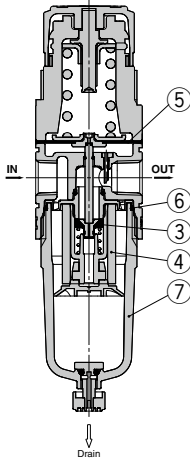


Construction

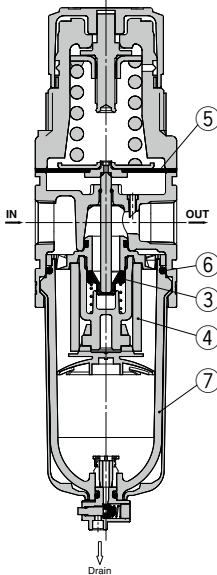
AW10-A



AW20-A



AW30-A to AW40-06-A



Replacement Parts/Part Nos.

No.	Description	Material	Model				
			AW10-A	AW20-A	AW30-A	AW40-A	AW40-06-A
③	Valve assembly	Stainless steel/HNBR	AR10P-090S	AW22P-060AS	AW32P-060AS	AW42P-060AS	
④	Filter element	Non-woven fabric	AF10P-060S	AF20P-060S	AF30P-060S	AF40P-060S	
⑤	Diaphragm assembly	Weatherable NBR	AR10P-150AS ^{Note 1)}	AR22P-150AS	AR32P-150AS	AR42P-150AS	
⑥	Bowl seal	NBR	C1SFP-260S	C2SFP-260S	C32FP-260S	C42FP-260S	
⑦	Bowl assembly ^{Note 2)}	Polycarbonate	C1SF-A	C2SF-A	C3SF-A	C4SF-A	

Note 1) The AW10-A is a piston type. The assembly of a piston and a seal (KSYP-13)

Note 2) The AW20-A to AW40-06-A models come with a bowl seal. Please contact SMC regarding the supply of bowl assembly with psi and °F unit display specifications.

Options/Part Nos.

Optional specifications	Model				
	AW10-A	AW20-A	AW30-A	AW40-A	AW40-06-A
Bracket assembly ^{Note 1)}	AR12P-270AS	AR22P-270AS	AR32P-270AS	AR42P-270AS	
Set nut	AR12P-260S	AR22P-260S	AR32P-260S	AR42P-260S	
Round type Pressure gauge ^{Note 2)}	Standard	G27-10-R1	G36-10-□01	G46-10-□01	
	0.02 to 0.2 MPa setting	G27-10-R1 ^{Note 3)}	G36-4-□01	G46-4-□01	
Round type (with color zone)	Standard	—	G36-10-□01-L	G46-10-□01-L	
	0.02 to 0.2 MPa setting	—	G36-4-□01-L	G46-4-□01-L	

Note 1) The assembly of a bracket and set nuts

Note 2) □ in round pressure gauge part numbers indicates a pipe thread type. No indication is necessary for R; however, indicate N for NPT.

Please contact SMC regarding the pipe thread type NPT and the supply of pressure gauge with psi unit display specifications.

Note 3) Standard pressure gauge

Bowl Assembly/Part Nos.

Bowl material	Drain discharge mechanism	Drain port	Other	Model				
				AW10-A	AW20-A	AW30-A	AW40-A	AW40-06-A
Polycarbonate	Manual discharge	With drain cock	—	C1SF-A	C2SF-A	—	—	
		With bowl guard	With bowl guard	—	C2SF-C-A	C3SF-A	C4SF-A	
		Drain cock with barb fitting	With bowl guard	—	—	C3SF-W-A	C4SF-W-A	
		With drain guide (without valve function)	With bowl guard	—	—	C2SF□-J-A	—	—
		With bowl guard	With bowl guard	—	—	C2SF□-CJ-A	C3SF□-J-A	C4SF□-J-A
Automatic discharge (Auto drain)	Normally closed (N.C.)	—	AD17-A	AD27-A	—	—		
	With bowl guard	With bowl guard	—	AD27-C-A	AD37□-A	AD47□-A		
Normally open (N.O.)	With bowl guard	With bowl guard	—	—	AD38□-A	AD48□-A		
	—	—	—	C1SF-6-A	C2SF-6-A	—	—	
Nylon	Manual discharge	With drain cock	With bowl guard	—	C2SF-6C-A	C3SF-6-A	C4SF-6-A	
		Drain cock with barb fitting	With bowl guard	—	—	C3SF-6W-A	C4SF-6W-A	
		With bowl guard	With bowl guard	—	—	C2SF□-6J-A	—	—
	Automatic discharge (Auto drain)	Normally closed (N.C.)	—	AD17-6-A	AD27-6-A	—	—	
		With bowl guard	With bowl guard	—	AD27-6C-A	AD37□-6-A	AD47□-6-A	
Normally open (N.O.)	With bowl guard	With bowl guard	—	—	AD38□-6-A	AD48□-6-A		
Metal	Manual discharge	With drain cock	With level gauge	—	—	C3LF-8-A	C4LF-8-A	
		With bowl guard	With level gauge	—	—	C2SF□-2J-A	C3SF□-2J-A	C4SF□-2J-A
		With bowl guard	With level gauge	—	—	C3LF□-8J-A	C4LF□-8J-A	
	Automatic discharge (Auto drain)	Normally closed (N.C.)	—	AD17-2-A	AD27-2-A	AD37□-2-A	AD47□-2-A	
		With level gauge	With level gauge	—	—	AD37□-8-A	AD47□-8-A	
Normally open (N.O.)	With level gauge	With level gauge	—	—	AD38□-2-A	AD48□-2-A		

Note) Min. operating pressure: N.O. type—0.1 MPa (AD38-A, AD48-A); N.C. type—0.1 MPa (AD17-A, AD27-A) and 0.15 MPa (AD37-A, AD47-A).

The bowl assembly for the AW10-A to AW40-06-A models comes with a bowl seal.

□ in bowl assembly part numbers indicates a pipe thread type (applicable tubing for auto drain).

No indication is necessary for Rc thread; however, indicate N for NPT thread, and F for G thread.

(For auto drain, Nil: ø10, N: ø3/8")

Please consult with SMC separately for psi and °F unit display specifications.

* The numbers correspond with those in the "Construction" of the AW series in the Web Catalog.

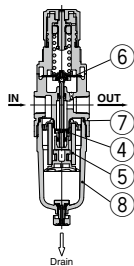
Filter Regulator Filter Regulator with Backflow Function

AW20-B to AW60-B / AW20K-B to AW60K-B

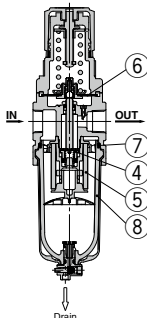
The Replacement Procedure is on p. 666

Construction

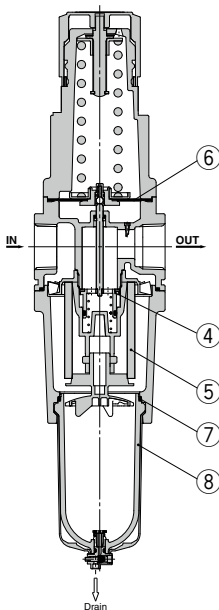
AW20(K)-B



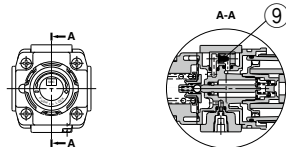
AW30(K)-B/AW40(K)-B



AW60(K)-B



AW20K-B to AW60K-B (Filter Regulator with Backflow Function)



* The numbers correspond with those in the "Construction" of the AW series in the **Web Catalog**.

Note) Min. operating pressure: N.O. type-0.1 MPa (AD38-A, AD48-A); N.C. type-0.1 MPa (AD27-A) and 0.15 MPa (AD37-A, AD47-A).
The bowl assembly comes with a bowl seal.
□ in bowl assembly part numbers indicates a pipe thread type (applicable tubing for auto drain).
No indication is necessary for Rc thread; however, indicate N for NPT thread, and F for G thread. (For auto drain, Nil: ø10, N: ø3/8")
Please consult with SMC separately for psi and °F unit display specifications.

Replacement Parts/Part Nos.

No.	Description	Material	Model				
			AW20(K)-B	AW30(K)-B	AW40(K)-B	AW40(K)-06-B	AW60(K)-B
4	Valve assembly	Brass/HNBR	AW20P-340AS	AW30P-340AS	AW40P-340AS	AW60P-090AS	
5	Filter element	Non-woven fabric	AF20P-060S	AF30P-060S	AF40P-060S	AW60P-060S	
6	Diaphragm assembly	Weatherable NBR	AR20P-150AS	AR30P-150AS	AR40P-150AS	AR50P-150AS	
7	Bowl seal	NBR	C2SFP-260S	C32FP-260S	C42FP-260S		
8	Bowl assembly ^{Note 1)}	Polycarbonate	C2SF-A	C3SF-A ^{Note 2)}	C4SF-A ^{Note 2)}		
9	Check valve assembly ^{Note 3)}	—	AR23KP-020AS				

Note 1) The bowl assembly comes with a bowl seal. Please consult with SMC separately for psi and °F unit display specifications.

Note 2) The bowl assembly for the AW30(K)-B to AW60(K)-B models comes with a bowl guard (Material: Polycarbonate).

Note 3) The check valve assembly is applicable for a filter regulator with backflow function (AW20K to 60K-B) only. The assembly of a check valve cover, check valve body assembly and 2 mounting screws

Options/Part Nos.

Optional specifications			Model				
			AW20(K)-B	AW30(K)-B	AW40(K)-B	AW40(K)-06-B	AW60(K)-B
Bracket assembly ^{Note 1)}			AW23P-270AS	AR33P-270AS	AR43P-270AS		AW62P-270AS
Set nut			AR23P-260S	AR33P-260S	AR43P-260S		— ^{Note 2)}
Pressure gauge	Round type ^{Note 3)}	Standard	G36-10-□01		G46-10-□01		
		0.02 to 0.2 MPa setting	G36-4-□01		G46-4-□01		
	Round type ^{Note 3)}	Standard	G36-10-□01-L		G46-10-□01-L		
	(with color zone)	0.02 to 0.2 MPa setting	G36-4-□01-L		G46-4-□01-L		
Square embedded type ^{Note 4)}	Standard	GC3-10AS [GC3P-010AS (Pressure gauge cover only)]					
	0.02 to 0.2 MPa setting	GC3-4AS [GC3P-010AS (Pressure gauge cover only)]					
Digital pressure switch ^{Note 5)}		NPN output, Wiring bottom entry	ISE35-N-25-MLA [ISE35-N-25-M (Switch body only)]				
		NPN output, Wiring top entry	ISE35-R-25-MLA [ISE35-R-25-M (Switch body only)]				
		PNP output, Wiring bottom entry	ISE35-N-65-MLA [ISE35-N-65-M (Switch body only)]				
		PNP output, Wiring top entry	ISE35-R-65-MLA [ISE35-R-65-M (Switch body only)]				

Note 1) The assembly of a bracket and set nuts. Including 2 mounting screws for the AW60(K)-B

Note 2) Please consult with SMC regarding the set nuts for the AW60(K)-B.

Note 3) □ in part numbers for a round type pressure gauge indicates a pipe thread type.

No indication is necessary for R; however, indicate N for NPT.

Please contact SMC regarding the pressure gauge supply for psi unit specifications.

Note 4) Including an O-ring and 2 mounting screws. []: Pressure gauge cover only

Note 5) In addition to the pressure switch body, lead wire with connector (2 m), adapter, lock pin, O-ring (1 pc.), mounting screw (2 pcs.) are attached.

[]: Switch body only. (Regarding how to order the digital pressure switch, refer to the **Web Catalog**.)

A pressure switch can be mounted on the AW60(K)-B, with a special mounting adapter (Pressure switch adapter assembly: AW63P-310AS) and mounting screws (M3 x 0.5 x 14) which are delivered with the mounting adapter.

Bowl Assembly/Part Nos.

Bowl material	Drain discharge mechanism	Drain port	Other	Model				
				AW20-B	AW30-B	AW40-B	AW40-06-B	AW60-B
Polycarbonate	Manual discharge	With drain cock	—	C2SF-A	—	—	—	—
		With bowl guard	With bowl guard	C2SF-C-A	C3SF-A	—	C4SF-A	—
		Drain cock with barb fitting	With bowl guard	—	C3SF-W-A	—	C4SF-W-A	—
	^{Note)} Automatic discharge (Auto drain)	With drain guide (without valve function)	With bowl guard	—	C2SF□-J-A	—	—	—
		Normally closed (N.C.)	With bowl guard	—	C2SF□-CJ-A	C3SF□-J-A	—	C4SF□-J-A
		Normally open (N.O.)	With bowl guard	—	AD27-A	—	—	—
Nylon	Manual discharge	With drain cock	—	C2SF-6-A	—	—	—	
		With bowl guard	With bowl guard	C2SF-6C-A	C3SF-6-A	—	C4SF-6-A	
		Drain cock with barb fitting	With bowl guard	—	C3SF-6W-A	—	C4SF-6W-A	
	^{Note)} Automatic discharge (Auto drain)	With drain guide (without valve function)	With bowl guard	—	C2SF□-6J-A	—	—	—
		Normally closed (N.C.)	With bowl guard	—	C2SF□-6CJ-A	C3SF□-6J-A	—	C4SF□-6J-A
		Normally open (N.O.)	With bowl guard	—	AD27-6-A	—	—	—
Metal	Manual discharge	With drain cock	With level gauge	—	C3LF-8-A	—	C4LF-8-A	
		With bowl guard	With level gauge	—	C3LF-8J-A	—	C4LF□-8J-A	
		With drain guide (without valve function)	With level gauge	—	C2SF□-2J-A	C3SF□-2J-A	—	C4SF□-2J-A
	^{Note)} Automatic discharge (Auto drain)	Normally closed (N.C.)	With level gauge	—	AD27-2-A	AD37□-2-A	—	AD47□-2-A
		Normally open (N.O.)	With level gauge	—	AD37□-8-A	—	AD47□-8-A	
		With level gauge	With level gauge	—	AD38□-2-A	—	AD48□-2-A	

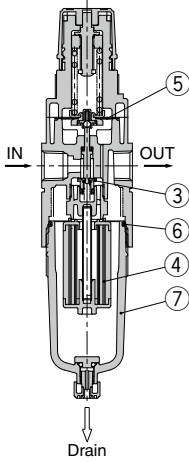
Actuators
 Rotary Actuators
 Air Grippers
 Modular F.R.L.
 Pressure Control Equipment
 Air Preparation Equipment
 Industrial Filters
 Replacement Procedure
 Actuators
 Rotary Actuators
 Air Grippers
 Modular F.R.L.
 Pressure Control Equipment
 Air Preparation Equipment
 Industrial Filters

AWM(D)20 to AWM(D)40

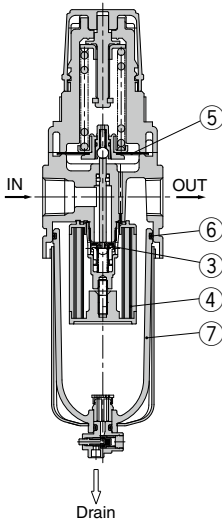
The Replacement Procedure is on p. 678, 684

Construction

**AWM20
AWD20**



**AWM30/40
AWD30/40**



* The numbers correspond with those in the "Construction" of the AW□ series in the **Web Catalog**.

Note 1) The assembly of a bracket and set nuts
Note 2) □ in part numbers for a round pressure gauge indicates a type of connection thread. No indication is necessary for R; however, indicate N for NPT. Please contact SMC regarding the connection thread NPT and pressure gauge supply for psi unit specifications.

Note 3) Including an O-ring and 2 mounting screws. []: Pressure gauge cover only

Note 4) Lead wire with connector (2 m), adapter, lock pin, O-ring (1 pc.), mounting screw (2 pcs.) are attached. []: Switch body only. Also, regarding how to order the digital pressure switch, refer to the **Web Catalog**.
A separate pressure switch adapter assembly (AW60P-310AS) is required only for AW60(K). For mounting, please use the included mounting screws (M3 x 0.5 x 14).
The mounting screw (M3 x 0.5 x 7)

Replacement Parts/Part Nos.

No.	Description	Material	Model		
			AWM20 AWD20	AWM30 AWD30	AWM40 AWD40
③	Valve assembly	Brass, HNBR	AWM20P-090AS	AWM30P-090AS	AWM40P-090AS
④	Element assembly	AWM20 to AWM40	AFM20P-060AS	AFM30P-060AS	AFM40P-060AS
		AWD20 to AWD40	AFD20P-060AS	AFD30P-060AS	AFD40P-060AS
⑤	Diaphragm assembly	Weather resistant NBR	AR20P-150AS	AR30P-150AS	AR40P-150AS
⑥	Bowl O-ring	NBR	C2SFP-260S	C3SFP-260S	C4SFP-260S
⑦	Bowl assembly ^{Note 1)}	Polycarbonate	C2SF	C3SF ^{Note 2)}	C4SF ^{Note 2)}

Note 1) Including a bowl O-ring. Please contact SMC regarding the bowl assembly supply for psi and °F unit specifications.

Note 2) The bowl assembly for the AWM30/40, AWD30/40 comes with a bowl guard (steel band material).

Options/Part Nos.

Optional specifications		Model		
		AWM20 AWD20	AWM30 AWD30	AWM40 AWD40
Bracket assembly ^{Note 1)}		AW20P-270AS	AR30P-270AS	AR40P-270AS
Set nut		AR20P-260S	AR30P-260S	AR40P-260S
Pressure gauge	Round type ^{Note 2)}	Standard	G36-10-□01	G46-10-□02
		0.02 to 0.2 MPa setting	G36-2-□01	G46-2-□02
	Round type ^{Note 2)}	Standard	G36-10-□01-L	G46-10-□02-L
	(with color zone)	0.02 to 0.2 MPa setting	G36-2-□01-L	G46-2-□02-L
	Square embedded type ^{Note 3)}	Standard	GC3-10AS [GC3P-010AS (Pressure gauge cover only)]	
		0.02 to 0.2 MPa setting	GC3-2AS [GC3P-010AS (Pressure gauge cover only)]	
Digital pressure switch ^{Note 4)}	NPN output/Wiring bottom entry		ISE35-N-25-MLA [ISE35-N-25-M (Switch body only)]	
	NPN output/Wiring top entry		ISE35-R-25-MLA [ISE35-R-25-M (Switch body only)]	
	PNP output/Wiring bottom entry		ISE35-N-65-MLA [ISE35-N-65-M (Switch body only)]	
	PNP output/Wiring top entry		ISE35-R-65-MLA [ISE35-R-65-M (Switch body only)]	
Float type auto drain ^{Note 5) Note 6)}	N.C.	AD27	AD37	AD47
	N.O.	—	AD38	AD48

Semi-standard: Bowl Assembly/Part Nos.

Semi-standard specifications					Model		
Bowl material	^{Note 5) Note 6)} Float type auto drain	^{Note 6)} With drain guide	With barb fitting	With bowl guard	AWM20 AWD20	AWM30 AWD30	AWM40 AWD40
	N.C.	N.O.					
Polycarbonate	—	—	—	●	C2SF-C	—	—
	●	—	—	●	AD27-C	—	—
	—	—	●	—	C2SF-J	C3SF-J	C4SF-J
	—	—	—	●	—	C3SF-W	C4SF-W
	—	—	●	—	C2SF-CJ	—	—
	—	—	—	—	C2SF-6	C3SF-6	C4SF-6
Nylon	—	—	—	●	C2SF-6C	—	—
	●	—	—	—	AD27-6	AD37-6	AD47-6
	—	●	—	—	—	AD38-6	AD48-6
	●	—	—	●	AD27-6C	—	—
	—	—	●	—	C2SF-6J	C3SF-6J	C4SF-6J
	—	—	—	●	—	C3SF-6W	C4SF-6W
Metal	—	—	—	●	C2SF-6CJ	—	—
	—	—	—	—	C2SF-2	C3SF-2	C4SF-2
	●	—	—	—	AD27-2	AD37-2	AD47-2
	—	●	—	—	—	AD38-2	AD48-2
Metal bowl with level gauge	—	—	—	—	C2SF-2J	C3SF-2J	C4SF-2J
	—	—	—	—	—	C3LF-8	C4LF-8
	●	—	—	—	—	AD37-8	AD47-8
	—	●	—	—	—	AD38-8	AD48-8
	—	—	—	—	—	C3LF-8J	C4LF-8J

attached to the digital pressure switch assembly will not be required.

Note 5) Min. operating pressure: N.O. type=0.1 MPa; N.C. type=0.1 MPa (AD27) and 0.15 MPa (AD37/47). Please contact SMC for psi and °F unit specifications.

Note 6) Please consult SMC for details on drain piping to fit NPT or G port sizes.

Note) • Including O-ring.

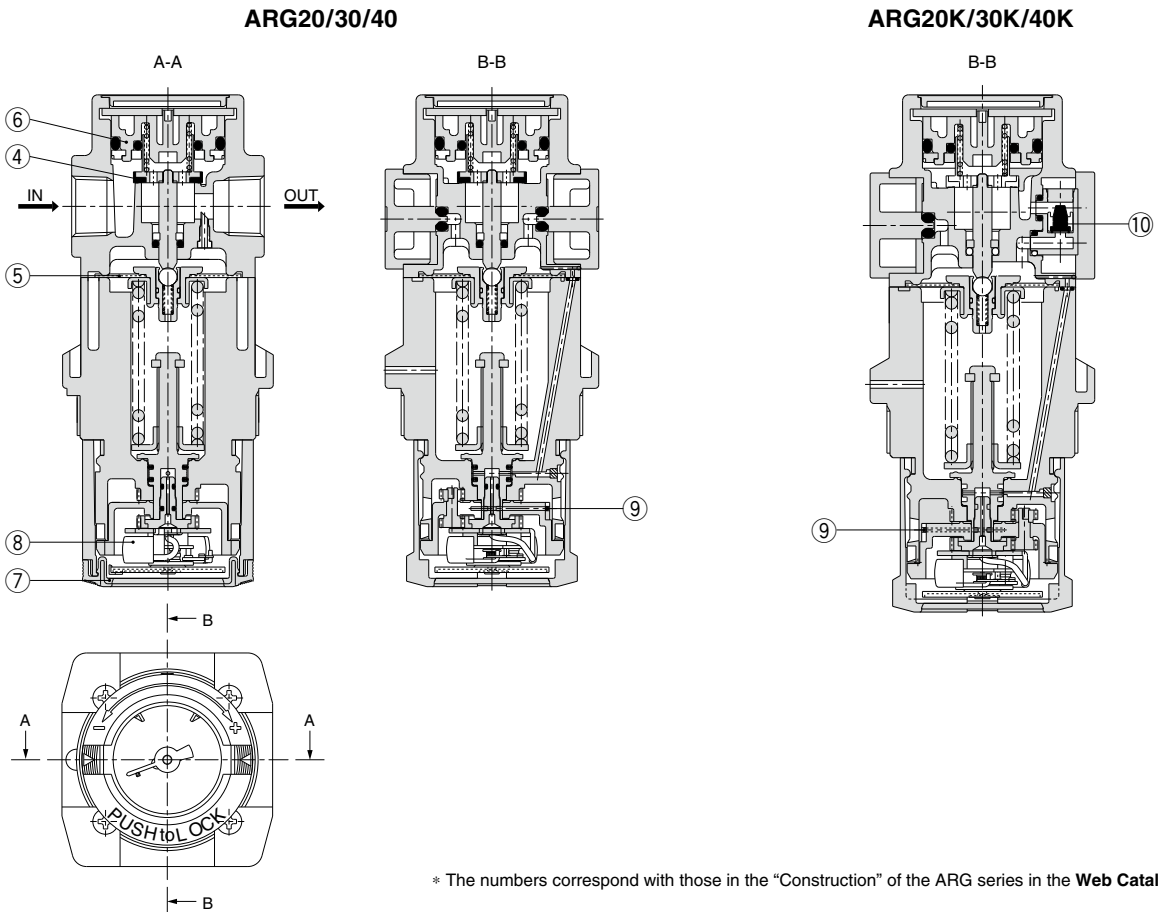
• The bowl assembly for the AWM30/40, AWD30/40 comes with a bowl guard (steel band material). (except when the bowl material is metal)

Regulator with Built-in Pressure Gauge

ARG20(K)/30(K)/40(K)

The Replacement Procedure is on p. 690

Construction



Replacement Parts/Part Nos.

No.	Description	Material	Qty.	Model			Note
				ARG20(K)	ARG30(K)	ARG40(K)	
4	Valve	Brass, HNBR	1	AR20P-410S	AR30P-410S	AR40P-410S	
5	Diaphragm assembly	Weather resistant NBR	1	AR20P-150AS	AR30P-150AS	AR40P-150AS	
6	Valve guide assembly	POM, NBR	1	AR20P-050AS	AR30P-050AS	AR40P-050AS	
7	Pressure gauge cover	PC	1	ARG20P-400S	ARG30P-400S	ARG40P-400S	
8	Pressure gauge ^{Note 1)}	—	1	GB2-10AS	GB3-10AS	GB4-10AS	
9	Clip	Stainless steel	1	ARG20P-420S	ARG30P-420S	ARG40P-420S	
10	Check valve assembly ^{Note 2)}	—	1	AR20KP-020AS			ARG20K, 30K, 40K

Note 1) Only the standard part numbers are listed for the pressure gauges.

Note 2) The assembly of a check valve body assembly, check valve cover and mounting 2 screws

Options/Part Nos.

Option		Applicable model		ARG20(K)	ARG30(K)	ARG40(K)
		Standard	Optional			
Bracket assembly ^{Note 1)}				ARG20P-270AS	ARG30P-270AS	ARG40P-270AS
Set nut				ARG20P-260S	ARG30P-260S	ARG40P-260S
Pressure gauge	Pressure gauge display range	Standard	0 to 1.0 MPa	GB2-10AS	GB3-10AS	GB4-10AS
			0 to 0.3 MPa	GB2-3AS	GB3-3AS	GB4-3AS
		Optional	0 to 150 psi	GB2-P10AS	GB3-P10AS	GB4-P10AS
			0 to 45 psi	GB2-P3AS	GB3-P3AS	GB4-P3AS

Note 1) The assembly of a bracket and set nuts

Actuators
Rotary Actuators
Air Grippers
Modular F.R.L.
Pressure Control Equipment
Air Preparation Equipment
Industrial Filters
Replacement Procedure
Actuators
Rotary Actuators
Air Grippers
Modular F.R.L.
Pressure Control Equipment
Air Preparation Equipment
Industrial Filters

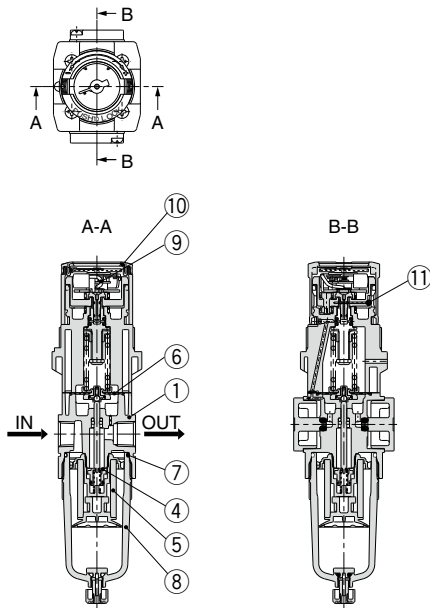
Filter Regulator with Built-in Pressure Gauge

AWG20/30/40

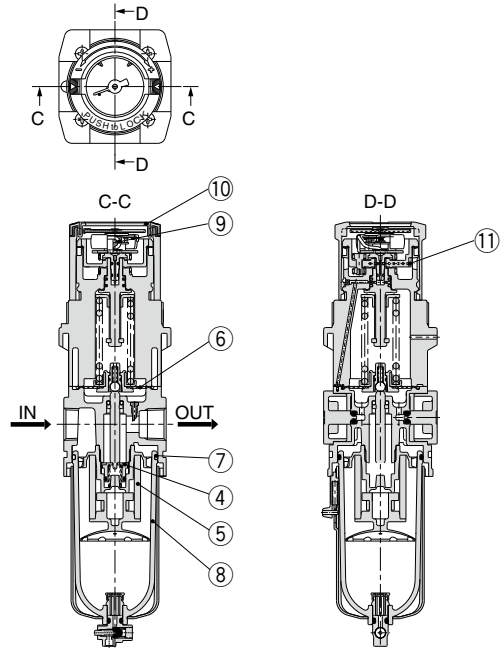
The Replacement Procedure is on p. 696

Construction

AWG20



AWG30/40



* The numbers correspond with those in the "Construction" of the AWG series in the **Web Catalog**.

Replacement Parts/Part Nos.

No.	Description	Material	Qty.	Model			Note
				AWG20	AWG30	AWG40	
4	Valve assembly	Brass, HNBR	1	AW20P-340AS	AW30P-340AS	AW40P-340AS	
5	Filter element	Non-woven fabric	1	AF20P-060S	AF30P-060S	AF40P-060S	
6	Diaphragm assembly	Weather resistant NBR	1	AR20P-150AS	AR30P-150AS	AR40P-150AS	
7	Bowl O-ring	NBR	1	C2SFP-260S	C3SFP-260S	C4SFP-260S	
8	Bowl assembly ^{Note 1)}	PC	1	C2SF	C3SF ^{Note 2)}	C4SF ^{Note 2)}	
9	Pressure gauge ^{Note 3)}	—	1	GB2-10AS	GB3-10AS	GB4-10AS	
10	Pressure gauge cover	PC	1	ARG20P-400S	ARG30P-400S	ARG40P-400S	
11	Clip	Stainless steel	1	ARG20P-420S	ARG30P-420S	ARG40P-420S	

Note 1) Including a bowl O-ring. Contact SMC regarding the bowl assembly supply for psi and °F unit specifications.

Note 2) The bowl assembly for AWG30/40 comes with a bowl guard (steel band material).

Note 3) Only the standard part numbers are listed in the pressure gauges. For the semi-standard part numbers, refer to the optional part numbers.

Options/Part Nos.

Option			Applicable model	AWG20	AWG30	AWG40
Bracket assembly ^{Note 1)}				ARG20P-270AS	ARG30P-270AS	ARG40P-270AS
Set nut				ARG20P-260S	ARG30P-260S	ARG40P-260S
Pressure gauge	Pressure gauge display range	Standard	0 to 1.0 MPa	GB2-10AS	GB3-10AS	GB4-10AS
			0 to 0.3 MPa	GB2-3AS	GB3-3AS	GB4-3AS
		Optional	0 to 150 psi	GB2-P10AS	GB3-P10AS	GB4-P10AS
			0 to 45 psi	GB2-P3AS	GB3-P3AS	GB4-P3AS
Float type auto drain ^{Note 2)}						
			N.O.	—	AD38	AD48
			N.C.	AD27	AD37	AD47

Note 1) The assembly of a bracket and set nuts

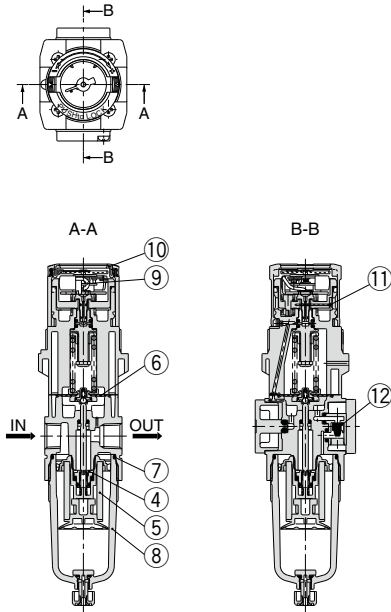
Note 2) Min. operating pressure: N.O. type—0.1 MPa; N.C. type—0.1 MPa (AD27) and 0.15 MPa (AD37/47). Contact SMC regarding the specifications for psi unit and °F.

Filter Regulator with Built-in Pressure Gauge with Backflow Function

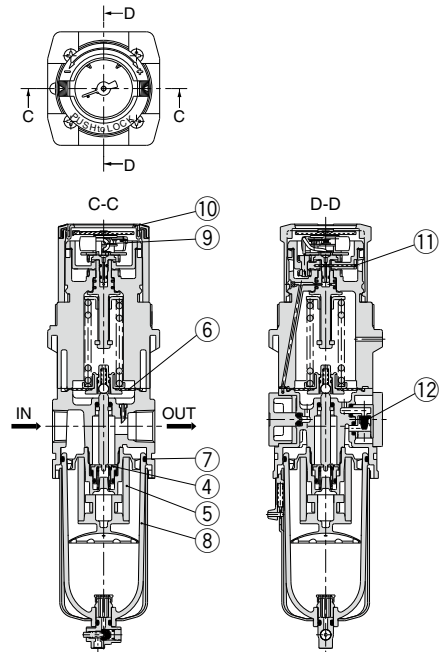
AWG20K/30K/40K

Construction

AWG20K



AWG30K/40K



* The numbers correspond with those in the "Construction" of the AWG series in the **Web Catalog**.

Replacement Parts/Part Nos.

No.	Description	Material	Qty.	Model			Note
				AWG20K	AWG30K	AWG40K	
4	Valve assembly	Brass, HNBR	1	AW20P-340AS	AW30P-340AS	AW40P-340AS	
5	Filter element	Non-woven fabric	1	AF20P-060S	AF30P-060S	AF40P-060S	
6	Diaphragm assembly	Weather resistant NBR	1	AR20P-150AS	AR30P-150AS	AR40P-150AS	
7	Bowl O-ring	NBR	1	C2SFP-260S	C3SFP-260S	C4SFP-260S	
8	Bowl assembly ^{Note 1)}	PC	1	C2SF	C3SF ^{Note 2)}	C4SF ^{Note 2)}	
9	Pressure gauge ^{Note 3)}	—	1	GB2-10AS	GB3-10AS	GB4-10AS	
10	Pressure gauge cover	PC	1	ARG20P-400S	ARG30P-400S	ARG40P-400S	
11	Clip	Stainless steel	1	ARG20P-420S	ARG30P-420S	ARG40P-420S	
12	Check valve assembly	—	1	AR20KP-020AS			

Note 1) Including a bowl O-ring. Contact SMC regarding the bowl assembly supply for psi and °F unit specifications.

Note 2) The bowl assembly (AWG30K/40K) comes with a bowl guard (steel band material).

Note 3) Only the standard part numbers are listed for the pressure gauges. For the semi-standard part numbers, refer to the optional part numbers.

Options/Part Nos.

Option		Applicable model		AWG20K	AWG30K	AWG40K
Bracket assembly ^{Note 1)}				ARG20P-270AS	ARG30P-270AS	ARG40P-270AS
Set nut				ARG20P-260S	ARG30P-260S	ARG40P-260S
Pressure gauge	Pressure gauge display range	Standard	0 to 1.0 MPa	GB2-10AS	GB3-10AS	GB4-10AS
			0 to 0.3 MPa	GB2-3AS	GB3-3AS	GB4-3AS
		Optional	0 to 150 psi	GB2-P10AS	GB3-P10AS	GB4-P10AS
			0 to 45 psi	GB2-P3AS	GB3-P3AS	GB4-P3AS
Float type auto drain ^{Note 2)}		N.O.	—	AD38	AD48	
		N.C.	AD27	AD37	AD47	

Note 1) The assembly of a bracket and set nuts

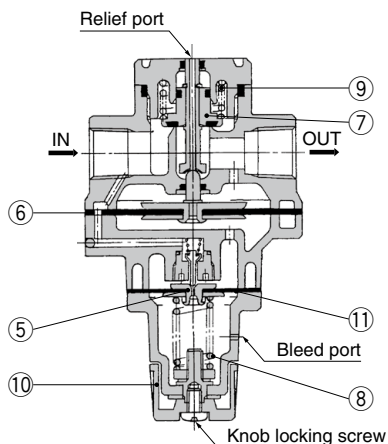
Note 2) Min. operating pressure: N.O. type—0.1 MPa; N.C. type—0.1 MPa (AD27) and 0.15 MPa (AD37/47). Contact SMC regarding the specifications for psi unit and °F.

Pilot Operated Regulator

AR425 to 935



Construction



* The numbers correspond with those in the "Construction" of the AR series in the **Web Catalog**.

Replacement Parts/Part Nos.

No.	Description	Material	Qty.	Model				Note
				AR425/435	AR625/635	AR825/835	AR925/935	
5, 11	Exhaust valve assembly ^{Note 1)}	—	1	132586A	132586A	132586A	132586A	
6	Main valve side diaphragm assembly	—	1	132581A	132659A	13275A	13285A	
7	Valve assembly	—	1	132572A	132653A	132752A	132829A	
8	Adjusting spring	Steel wire	1	135053(AR425) 135025(AR435)	135053(AR625) 135025(AR635)	135053(AR825) 135025(AR835)	135053(AR925) 135025(AR935)	
9	Valve spring	Stainless steel	1	135211	132656	132713	13289	
10	Knob	ABS	1	13414				

Note 1) Including a diaphragm

Options/Part Nos.

Description	Model	Options/part nos.			
		AR4□5	AR6□5	AR8□5	AR9□5
Bracket		B24P	B25P	—	—
Pressure gauge with limit indicator ^{Note 1)}		G46-10-□02 (Max. 1.0 MPa), G46-2-□02 (Max. 0.2 MPa)			

Note 1) • In the gauge part no. (e.g. G46-10-□02), □ indicate kind of the connecting thread. Put nothing for Rc and "N" for NPT thread.

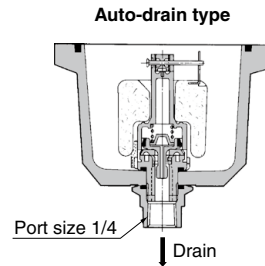
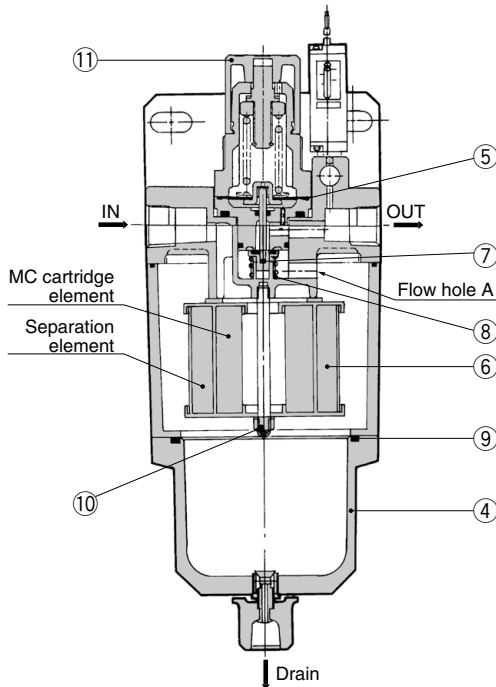
• Please consult with SMC for NPT pressure gauge.

Note 2) Use caution not to tighten excessively when mounting a pressure gauge, otherwise it may result in a breakdown. Use a pipe tape for sealing.
Recommended torque: 12 to 14 N·m.

AMR3000 to 6000

The Replacement Procedure is on p. 707

Construction



* The numbers correspond with those in the "Construction" of the AMR series in the Web Catalog.

Replacement Parts/Part Nos.

No.	Description	Material	Qty.	Model				Note
				AMR3000	AMR4000	AMR5000	AMR6000	
4	Bowl assembly	Aluminum die-casted	1	13573A	13553A	13583A	13563A	
5	Diaphragm assembly	Weather resistant NBR	1	1349161A	131515A	131515A	131614A	
6	Element ^{Note)}	—	1	13579	135511	13589	13569	
7	Valve assembly	Brass, HNBR	1	135711A	13154A	135811A	135614-1A	
8	Valve spring	Stainless steel	1	135011	131514	131613	135413	
9	O-ring	NBR	1	KA00064	KA00466	KA00452	KA00455	
10	Gasket	Fiber	1	135714	635327	635327	63555	
11	Knob	POM	1	1349167	131534	131534	131634	

Note) The MC cartridge element and the separation element are integrated.

Accessory (Standard)/Part Nos.

Description	Model	AMR3000	AMR4000	AMR5000	AMR6000
Bracket		13576	13556	13587	13568
Pressure gauge ^{Note 5, 6)}	1.0 MPa	G36-10-□01		G46-10-□02	

Accessories (Option)/Part Nos.

Description	Model	AMR3000	AMR4000	AMR5000	AMR6000
Adapter assembly ^{Note 7)}		1/4: E3-02□ 3/8: E3-03□	1/4: E4-02□ 3/8: E4-03□ 1/2: E4-04□	1/2: E5-04□ 3/4: E5-06□	3/4: E6-06□ 1: E6-10□
Float type auto drain (AMR□100) ^{Note 8)}		AD33-X203	AD33-X202	AD33-X210	AD33-X201
Compact pressure switch		IS10-01 (0.4 MPa setting)			
Elbow (R x Rc) ^{Note 9)}		135510		135613	

Note 5) □ in the gauge part number (e.g. G36-10-□01) indicates thread. Specify no symbol for "Rc", and "N" for "NPT."

• Please consult with SMC if "NPT" gauge is required.

Note 6) Use caution not to tighten excessively when mounting a pressure gauge, otherwise it may result in a breakdown. Use a pipe tape for sealing.

Recommended tightening torque for pressure regulator: R 1/8 = 7 to 9 N·m, R 1/4 = 12 to 14 N·m

Note 7) Piping adapter, O-ring, Hexagon socket bolt, Hexagon socket bolt assembly. These are shipped together with products. "□" in the gauge part number indicates thread type. Specify no symbol for "Rc", "N" for "NPT", and "G" for "F."

Note 8) Min. operating pressure = 0.1 MPa

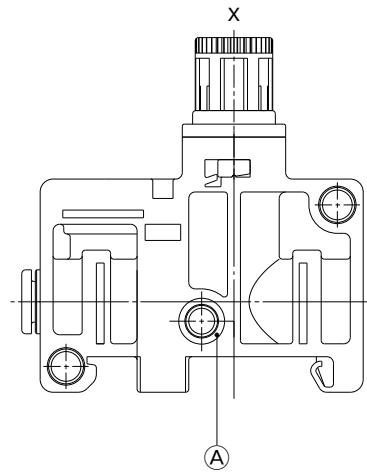
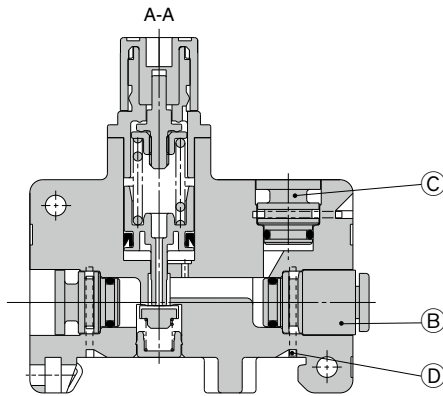
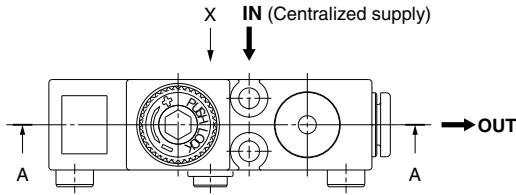
Note 9) If a compact pressure switch is mounted later on, an elbow (R x Rc) is necessary.

Actuators
Rotary Actuators
Air Grippers
Modular F.R.L.
Pressure Control Equipment
Air Preparation
Equipment
Industrial Filters
Replacement
Procedure
Actuators
Rotary Actuators
Air Grippers
Modular F.R.L.
Pressure Control Equipment
Air Preparation
Equipment
Industrial Filters

ARM5A Series



Construction



Replacement Parts

No.	Description	Material	Qty.	Part no.
A	O-ring	NBR	1	136019
B	Fitting assembly	—	1	See below
C	Port plug	PBT, HNBR	1	See below
D	Clip	Stainless steel	3	136010

* The numbers correspond with those in the "Construction" of the ARM5A series in the **Web Catalog**.

One-touch Fittings for Centralized Supply Block

VVQ1000-51A - **C6**

One-touch fittings for centralized supply block

Fitting type

Nil	Straight
L1	Elbow

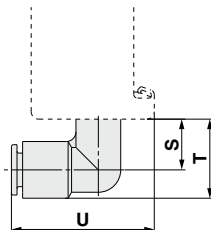
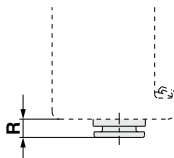
Fitting size

Symbol	Size
C6	ø6
C8	ø8
N7	ø1/4
N9	ø5/16



Straight type

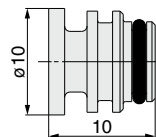
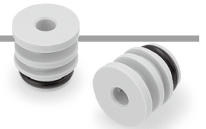
Elbow type



Port Plug

VVQ0000-58A

Single unit regulator/
Port plug for regulator block



Note) The O-ring is attached. Refer to page 708 for details of the replacement.

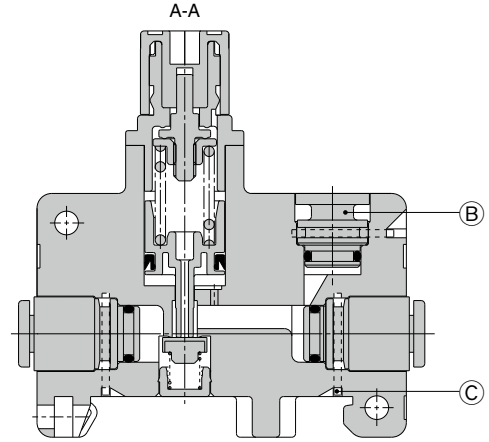
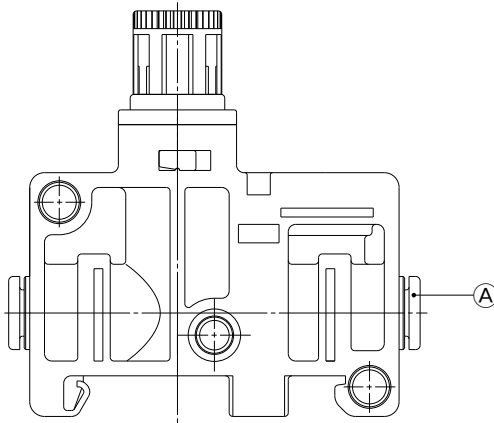
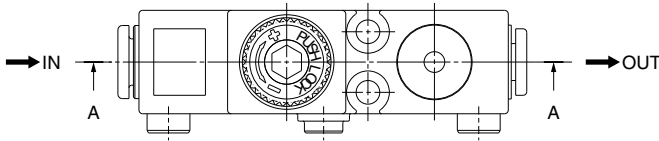
Fitting size	One-touch fittings for centralized supply block			
	Straight	Elbow	Elbow	Elbow
	R	S	T	U
ø4, ø5/32	—	—	—	—
ø6	3	12.5	19	35.5
ø1/4	3	12.5	19	35.5
ø8, ø5/16	5	13.5	21	38.5

Note) The O-ring is attached. Refer to page 709 for details of the replacement.

ARM5B Series

The Replacement Procedure is on p. 708

Construction



Replacement Parts

No.	Description	Material	Qty.	Part no.
A	Fitting assembly	—	2	See below
B	Port plug	PBT, HNBR	1	See below
C	Clip	Stainless steel	3	136010

* The numbers correspond with those in the "Construction" of the ARM5B series in the **Web Catalog**.

One-touch Fittings for Regulator Block

VVQ1000-50A - [] C4

One-touch fittings for regulator block

Fitting type	
Nil	Straight
L1	Elbow

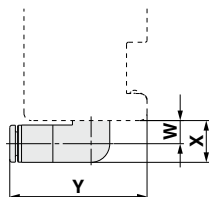
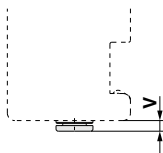
Fitting size

Symbol	Size
C4	ø4
C6	ø6
N3	ø5/32
N7	ø1/4



Straight type

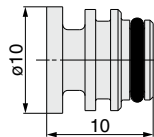
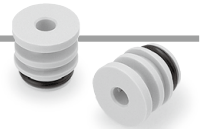
Elbow type



Port Plug

VVQ000-58A

Single unit regulator/
Port plug for regulator block



Note) The O-ring is attached. Refer to page 708 for details of the replacement.

Fitting size	One-touch fittings for regulator block			
	Straight	Elbow	Elbow	Elbow
	V	W	X	Y
ø4, ø5/32	2.5	6	11	35.5
ø6	3	6.5	11	36
ø1/4	6.5	6	11.5	38.5
ø8, ø5/16	—	—	—	—

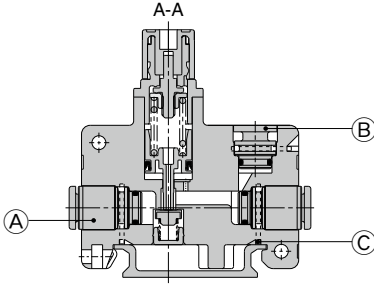
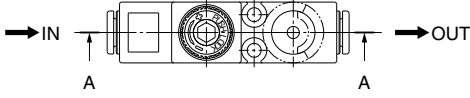
Note) The O-ring is attached. Refer to page 709 for details of the replacement.

Actuators
Rotary Actuators
Air Grippers
Modular F.R.L.
Pressure Control Equipment
Air Preparation Equipment
Industrial Filters
Replacement Procedure
Actuators
Rotary Actuators
Air Grippers
Modular F.R.L.
Pressure Control Equipment
Air Preparation Equipment
Industrial Filters

ARM5S Series



Construction



* The numbers correspond with those in the "Construction" of the ARM5S series in the **Web Catalog**.

Replacement Parts

No.	Description	Material	Qty.	Part no.
A	Fitting assembly	—	2	See below
B	Port plug	PBT, HNBR	1	See below
C	Clip	Stainless steel	3	136010

One-touch Fittings for Regulator

VVQ1000-50A - [] C4

One-touch fittings for regulator

Fitting type

Nil	Straight
L1	Elbow

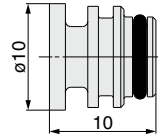
Fitting size

C4	ø4
C6	ø6
N3	ø5/32
N7	ø1/4

Port Plug

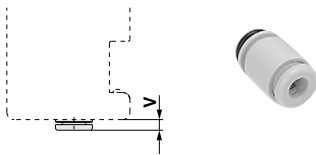
VVQ0000-58A

Single unit regulator/
Port plug for regulator block

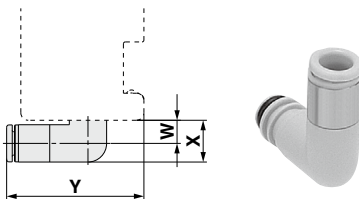


Note) The O-ring is attached.
Refer to page 708 for details of the replacement.

Straight type



Elbow type



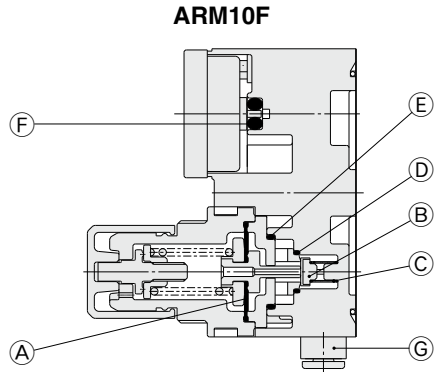
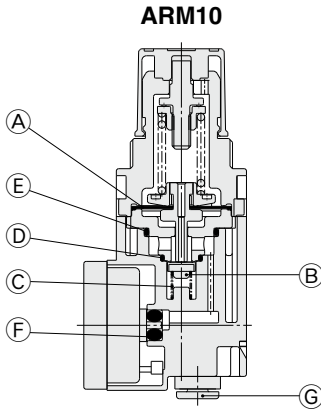
Fitting size	One-touch fittings for regulator			
	Straight	Elbow	Elbow	Elbow
	V	W	X	Y
ø4, ø5/32	2.5	6	11	35.5
ø6	3	6.5	11	36
ø1/4	6.5	6	11.5	38.5
ø8, ø5/16	—	—	—	—

Note) The O-ring is attached.
Refer to page 709 for details of the replacement.

ARM10 Series

The Replacement Procedure is on p. 712

Construction

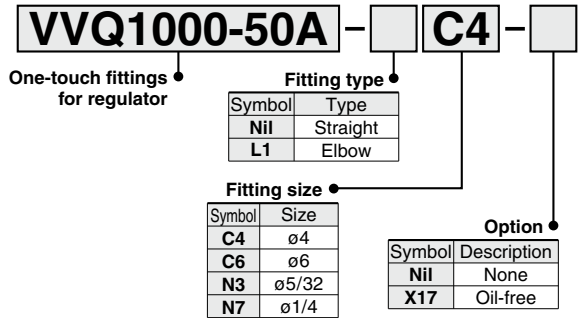


Replacement Parts

No.	Description	Material	Part no.	Note
A	Diaphragm assembly	Weather resistant	136126A	Relieving type
		NBR, POM	136126-1A	Non-relieving type
B	Valve	HNBR, Aluminum alloy	136127-30#1	
C	Valve spring	Stainless steel	136131	
D	O-ring	NBR	136146	Standard model
		HNBR	136146-30	Oil-free specification
E	O-ring	NBR	136147	Standard model
		HNBR	136147-30	Oil-free specification
F	O-ring	NBR	136148	Standard model
		HNBR	136148-30	Oil-free specification
		NBR	KA01731	Standard model for digital pressure switch
		HNBR	KA01613	Oil-free spec. for digital pressure switch
G	Fitting assembly	—	The right reference	

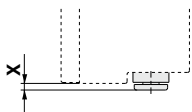
* The numbers correspond with those in the "Construction" of the ARM10 series in the Web Catalog.

One-touch Fittings for Regulator



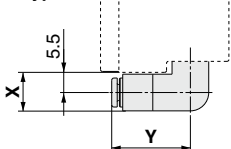
ARM10

Straight type



Fitting size	X
ø4, ø5/32	2
ø6	2
ø1/4	6

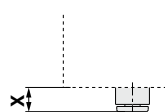
Elbow type



Fitting size	X	Y
ø4, ø5/32	10.5	21.5
ø6	10.5	22
ø1/4	10.5	24.5

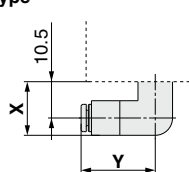
ARM10F

Straight type



Fitting size	X
ø4, ø5/32	7
ø6	7
ø1/4	11

Elbow type



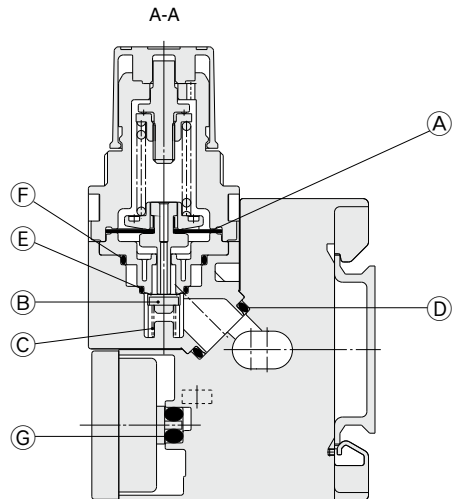
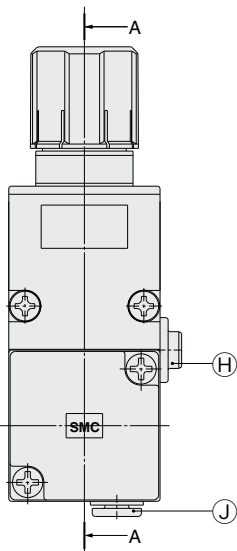
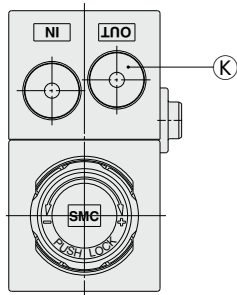
Fitting size	X	Y
ø4, ø5/32	15.5	21.5
ø6	15.5	22
ø1/4	15.5	24.5

Actuators
Rotary Actuators
Air Grippers
Modular F.R.L.
Pressure Control Equipment
Air Preparation Equipment
Industrial Filters
Replacement Procedure
Actuators
Rotary Actuators
Air Grippers
Modular F.R.L.
Pressure Control Equipment
Air Preparation Equipment
Industrial Filters

ARM11A Series



Construction



* The numbers correspond with those in the "Construction" of the ARM11A series in the **Web Catalog**.

Replacement Parts

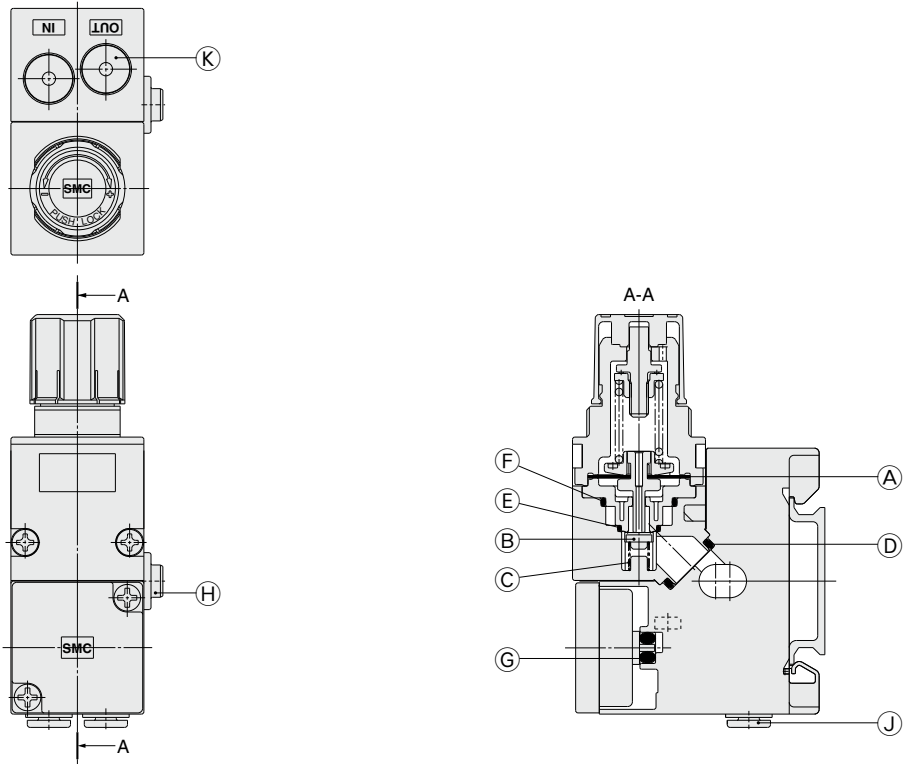
No.	Description	Material	Part no.	Note
A	Diaphragm assembly	Weather resistant NBR, POM	136126A	Relieving type
			136126-1A	Non-relieving type
B	Valve	HNBR, Aluminum alloy	136127-30#1	
C	Valve spring	Stainless steel	136131	
D	Gasket	HNBR	136137-30	
E	O-ring	NBR	136146	Standard model
		HNBR	136146-30	Oil-free specification
F	O-ring	NBR	136147	Standard model
		HNBR	136147-30	Oil-free specification
		NBR	136148	Standard model
G	O-ring	HNBR	136148-30	Oil-free specification
		NBR	KA01731	Standard model for digital pressure switch
		HNBR	KA01613	Oil-free spec. for digital pressure switch
H	O-ring	NBR	136149	Standard model
		HNBR	136149-30	Oil-free specification
J	Fitting assembly	—	Refer to page 331.	
K	Port plug	PBT/HNBR	Refer to page 331.	

Compact Manifold Regulator/Individual Supply Type

ARM11B Series

The Replacement Procedure is on p. 712

Construction



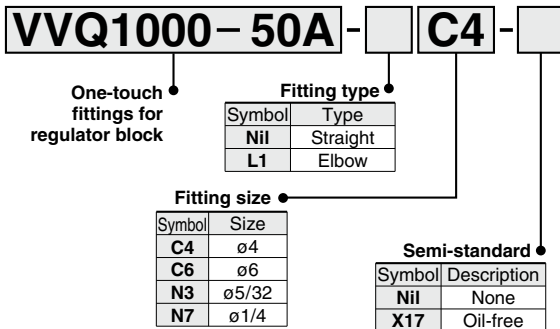
* The numbers correspond with those in the "Construction" of the ARM11B series in the **Web Catalog**.

Replacement Parts

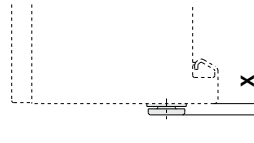
No.	Description	Material	Part no.	Note
A	Diaphragm assembly	Weather resistant NBR, POM	136126A	Relieving type
			136126-1A	Non-relieving type
B	Valve	HNBR, Aluminum alloy	136127-30#1	
C	Valve spring	Stainless steel	136131	
D	Gasket	HNBR	136137-30	
		NBR	136146	Standard model
E	O-ring	HNBR	136146-30	Oil-free specification
		NBR	136147	Standard model
F	O-ring	HNBR	136147-30	Oil-free specification
		NBR	136148	Standard model
G	O-ring	HNBR	136148-30	Oil-free specification
		NBR	KA01731	Standard model for digital pressure switch
		HNBR	KA01613	Oil-free spec. for digital pressure switch
H	O-ring	NBR	136149	Standard model
		HNBR	136149-30	Oil-free specification
J	Fitting assembly	—	Refer to page 331.	
K	Port plug	PBT/HNBR	Refer to page 331.	

Options

One-touch Fittings for Regulator Block

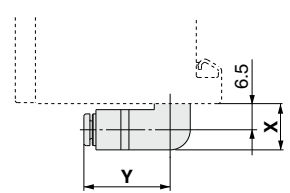


Straight type



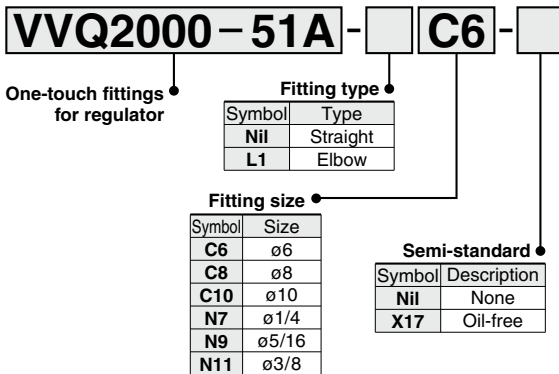
Fitting size	X
ø4, ø5/32	3
ø6	3
ø1/4	7

Elbow type

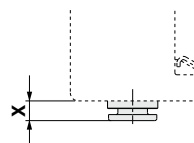


Fitting size	X	Y
ø4, ø5/32	11.5	19
ø6	11.5	19.5
ø1/4	11.5	22

One-touch Fittings for Common Supply Block

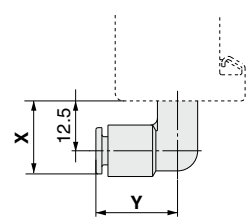


Straight type



Fitting size	X
ø6	5
ø8, ø5/16	5
ø10, ø3/8	5.5
ø1/4	5

Elbow type



Fitting size	X	Y
ø6	19	20
ø8, ø5/16	20	23
ø10, ø3/8	22	26
ø1/4	19	20.5

Port Plug

