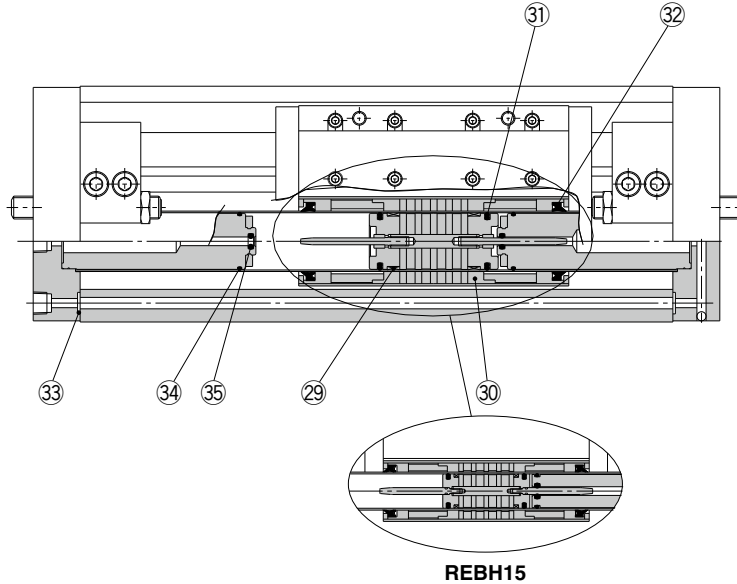


REBH Series

Single Axis Type: $\varnothing 15, \varnothing 25$

Construction

Single axis type: $\varnothing 15, \varnothing 25$



REBH15

* The numbers correspond with those in the "Construction" of the REBH series in the **Web Catalog**.

Seal Kit List

No.	Description	Material	Note
29	Wear ring A	Special resin	
30	Wear ring B	Special resin	
31	Piston seal	NBR	
32	Scraper	NBR	
33	O-ring	NBR	
34	O-ring	NBR	
35	Cushion seal	NBR	

Replacement Parts: Seal Kit

Bore size (mm)	Part no.	Contents
15	REBH15-PS	Set of nos. 29, 30,
25	REBH25-PS	31, 32, 33, 34, 35

Note) Cushion seal 35 may be difficult to be replaced.

* The seal kit includes a grease pack (10 g).

Order with the following part number when only the grease pack is required.

Grease pack part no.: GR-S-010 (10 g)

Actuators

Rotary Actuators
Air Grippers

Modular F.R.L.
Pressure Control Equipment

Air Preparation
Equipment

Industrial Filters

Replacement
Procedure

Actuators

Rotary Actuators
Air Grippers

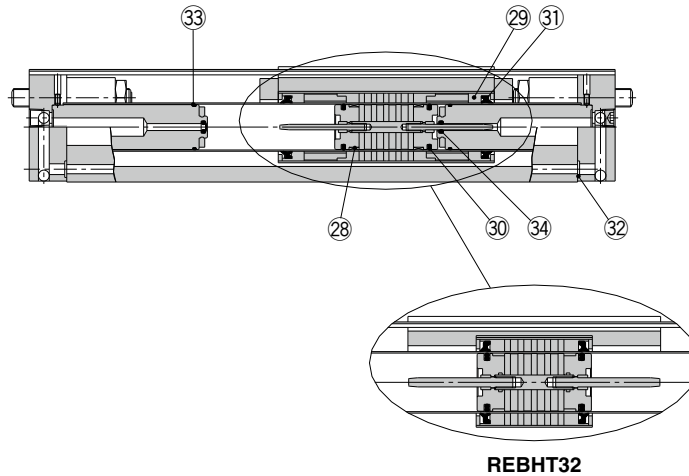
Modular F.R.L.
Pressure Control Equipment

Air Preparation Equipment
Industrial Filters

REBH Series

Double Axis Type: $\varnothing 25$, $\varnothing 32$

Construction

Double axis type: $\varnothing 25$, $\varnothing 32$ * The numbers correspond with those in the "Construction" of the REBH series in the **Web Catalog**.

Seal Kit List

No.	Description	Material	Note
28	Wear ring A	Special resin	
29	Wear ring B	Special resin	
30	Piston seal	NBR	
31	Scraper	NBR	
32	O-ring	NBR	
33	O-ring	NBR	
34	Cushion seal	NBR	

Replacement Parts: Seal Kit

Bore size (mm)	Part no.	Contents
25	REBH25-PS	Set of nos.
32	REBH32-PS	28, 29, 30, 31, 32, 33, 34

Note) Cushion seal 34 may be difficult to be replaced.

* The seal kit includes a grease pack (10 g).

Order with the following part number when only the grease pack is required.

Grease pack part no.: GR-S-010 (10 g)