

Pilot Operated 2 Port Solenoid Valve

VXD Series



Air



Water



Oil



Heated water High temperature oil
(99°C)



High temperature oil
(99°C)



VX2

VXK

VXD

VXZ

VXS

VXB

VXE

VXP

VXR

VXH

VXF

VX3

VXA

Compact

Height

Approx. **7% Smaller*** (7 mm)
(VXD24)

* Comparison with SMC current model

Lightweight

Weight

20% Lighter* (90 g)
(VXD23 Resin body)

Options newly added!

Class H/24 VDC
Class H/DIN terminal
Seal material: EPDM

Power consumption (DC/N.C. valve)

4.5 W (VXD23 to 25)
7 W (VXD26, 27)
10.5 W (VXD28, 29)

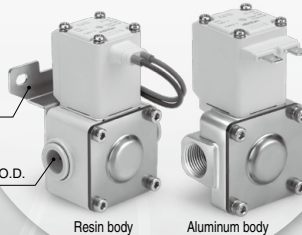


Air

Body material

Resin (VXD2₃)

Aluminum (VXD2₃)



Bracket standard equipment

Applicable tubing O.D.
ø10, ø12/mm
ø3/8"/inch

Resin body

Aluminum body



Air



Water



Oil



Heated water
(99°C)



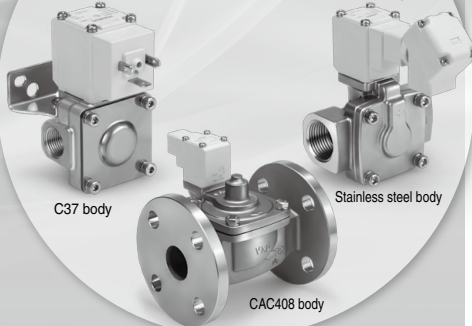
High temperature oil
(99°C)

Body material

C37, Stainless steel, CAC408

(VXD2₃ to 2₅)

(VXD2₇ to 2₉)



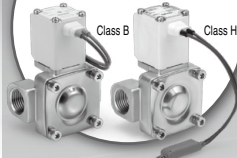
C37 body

Stainless steel body

CAC408 body

Solenoid coil type

Insulation type Class B/H



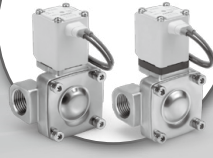
Class B

Class H

Valve type

N.C.

N.O.



Enclosure IP65*

* Electrical entry flat terminal type terminal is IP40.

Pilot Operated 2 Port Solenoid Valve

VXD Series

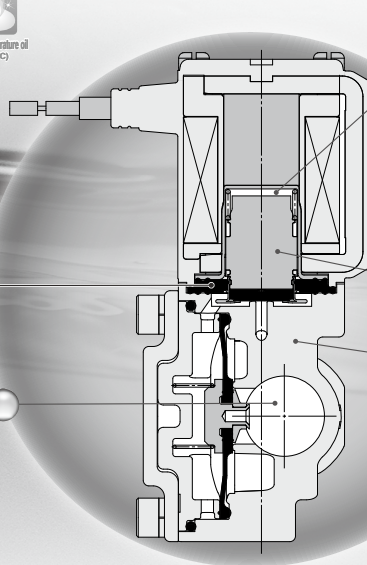
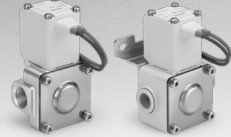


Enclosure
IP65

Flame resistance
UL94V-0 conformed
Flame resistant
mold coil material

Low-noise construction
Metal noise reduced
by the rubber bumper

Piping variations
Thread piping, One-touch fitting,
Flange piping



Clearance

By providing a bumper and clearance, we reduced the collision sound of the core when ON (when the valve is open). Because of the clearance, when using highly viscous fluids such as oil, the armature does not get stuck and the responsiveness when OFF (when the valve is closed) is improved.

Power consumption

4.5 W (VXD23 to 25)

7 W (VXD26 to 27)

10.5 W (VXD28 to 29)

Improved armature durability

Body material

Air

Aluminum (VXD2₃^A)

Resin (VXD2₃^B)

C37, Stainless steel (VXD2₃^C to 2₅^C)

CAC408 (VXD2_E⁷ to 2₉⁹)

Water/Oil/Heated water/ High temperature oil

C37, Stainless steel (VXD2₃^A to 2₅^A)

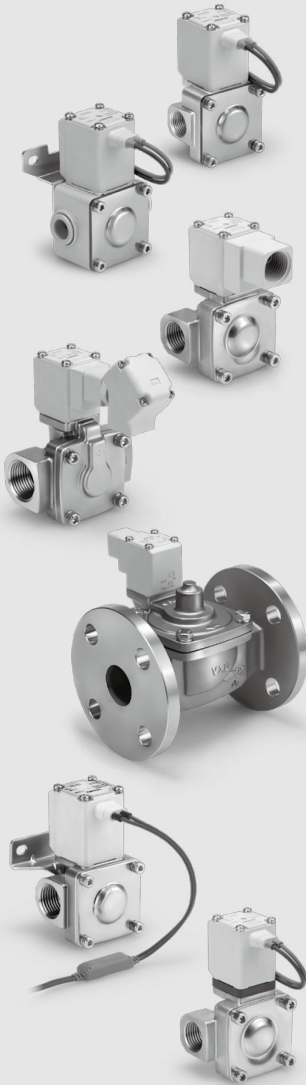
CAC408 (VXD2_E⁷ to 2₉⁹)

Built-in full-wave rectifier type (AC specification: Insulation type Class B/H)

- **Improved durability**
Service life is extended by the special construction. (compared with current shading coil)
- **Reduced buzz noise**
Rectified to DC by the full-wave rectifier, resulting in a buzz noise reduction.
- **Reduced apparent power (Class B, N.C. valve)**
10 VA → **7 VA** (VXD23 to 25)
20 VA → **9.5 VA** (VXD26 to 27)
32 VA → **12 VA** (VXD28 to 29)
- **Improved OFF response**
Specially constructed to improve the OFF response when operated with a higher viscosity fluid such as oil.
- **Low-noise construction**
Specially constructed to reduce the metal noise during operation.



Model	Size	Orifice diameter	Body material	Port size											
				Thread					Flange			One-touch fitting			
				1/4	3/8	1/2	3/4	1	32A	40A	50A	ø10	ø3/8"	ø12	
VXD2 ₃ ^A	8A 10A 15A	10 mm	Aluminum	●	●	●	—	—	—	—	—	—	—	—	—
			Resin	—	—	—	—	—	—	—	—	●	●	—	
			C37	●	●	●	—	—	—	—	—	—	—	—	
			Stainless steel	●	●	●	—	—	—	—	—	—	—	—	
VXD2 ₃ ^B	10A 15A	15 mm	C37	—	●	●	—	—	—	—	—	—	—	—	
			Stainless steel	—	●	●	—	—	—	—	—	—	—	—	
VXD2 ₃ ^C	20A	20 mm	C37	—	—	—	●	—	—	—	—	—	—	—	
			Stainless steel	—	—	—	●	—	—	—	—	—	—	—	
VXD2 ₃ ^D	25A	25 mm	C37	—	—	—	—	●	—	—	—	—	—	—	
			Stainless steel	—	—	—	—	●	—	—	—	—	—	—	
VXD2 _E ⁷	32A	35 mm	CAC408	—	—	—	—	—	●	—	—	—	—	—	
VXD2 _E ⁸	40A	40 mm	CAC408	—	—	—	—	—	—	●	—	—	—	—	
VXD2 _E ⁹	50A	50 mm	CAC408	—	—	—	—	—	—	—	●	—	—	—	



Common Specifications P. 116

Selection Steps P. 117



For Air

Model/Valve Specifications, Fluid and Ambient Temperature, Valve Leakage Rate ... P. 118, 119

How to Order P. 120



For Water

Model/Valve Specifications, Fluid and Ambient Temperature, Valve Leakage Rate ... P. 121, 122

How to Order P. 123



For Oil

Model/Valve Specifications, Fluid and Ambient Temperature, Valve Leakage Rate ...P. 124, 125

How to Order P. 126



For Heated water

Model/Valve Specifications, Fluid and Ambient Temperature, Valve Leakage Rate ...P. 127, 128

How to Order P. 129



For High temperature oil

Model/Valve Specifications, Fluid and Ambient Temperature, Valve Leakage Rate ...P. 130, 131

How to Order..... P. 132

Other Special Options P. 133

Construction P. 136

Dimensions

For Air/Water/Oil

Body material: Resin P. 138

Body material: Aluminum, C37, Stainless steel ... P. 140

Body material: C37, Stainless steel P. 142

Body material: CAC408 P. 146

For Heated water/High temperature oil

Body material: C37, Stainless steel P. 148

Body material: CAC408 P. 153

Replacement Parts P. 155

Glossary of Terms P. 156

Solenoid Valve Flow Rate Characteristics P. 157

Flow Rate Characteristics P. 162

Specific Product Precautions P. 164

VX2

VXK

VXD

VXZ

VXS

VXB

VXE

VXP

VXR

VXH

VXF

VX3

VXA

Common Specifications

Standard Specifications

Valve specifications	Valve construction		Pilot operated 2 port diaphragm type
	Withstand pressure		2.0 MPa (Resin body type 1.5 MPa)
	Body material		Aluminum, Resin, C37 (Brass), Stainless steel, CAC408 (Bronze casting)
	Seal material		NBR, FKM, EPDM ^{Note 3)}
	Enclosure		Dust-tight, Water-jet-proof type (IP65) ^{Note 4)}
Coil specifications	Environment		Location without the presence of corrosive gases, explosive gases, or constant water adhesion
	Rated voltage	AC	100 VAC, 200 VAC, 110 VAC, 230 VAC, (220 VAC, 240 VAC, 48 VAC, 24 VAC) ^{Note 2)}
		DC	24 VDC, (12 VDC) ^{Note 2)}
	Allowable voltage fluctuation		±10% of rated voltage
	Allowable leakage voltage	AC	5% or less of rated voltage
		DC	2% or less of rated voltage
	Coil insulation type		Class B, Class H

Note 1) Electrical entry flat terminal type terminal is IP40.

Note 2) Voltage in () indicates special voltage. (Refer to page 133.)

Note 3) For seal material/EPDM, refer to page 134.

Note 4) For enclosure, refer to "Glossary of Terms" on page 156.

⚠ Be sure to read "Specific Product Precautions" before handling.

Solenoid Coil Specifications

Normally Closed (N.C.)

DC Specification

Class B

Model	Power consumption (W) ^{Note 1)}	Temperature rise (°C) ^{Note 2)}
VXD23 to 25	4.5	50
VXD26, 27	7	55
VXD28, 29	10.5	65

Class H

Model	Power consumption (W) ^{Note 1)}	Temperature rise (°C) ^{Note 2)}
VXD23 to 25	9	100
VXD26, 27	12	100
VXD28, 29	15	100

Note 1) Power consumption: The value at ambient temperature of 20°C and when the rated voltage is applied. (Variation: ±10%)

Note 2) The value at ambient temperature of 20°C and when the rated voltage is applied. The value depends on the ambient environment.

This is for reference.

AC Specification (Built-in Full-wave Rectifier Type)

Class B

Model	Apparent power (VA) ^{Note 1) 2)}	Temperature rise (°C) ^{Note 3)}
VXD23 to 25	7	60
VXD26, 27	9.5	70
VXD28, 29	12	70

Class H

Model	Apparent power (VA) ^{Note 1) 2)}	Temperature rise (°C) ^{Note 3)}
VXD23 to 25	9	100
VXD26, 27	12	100
VXD28, 29	15	100

Note 1) Apparent power: The value at ambient temperature of 20°C and when the rated voltage is applied. (Variation: ±10%)

Note 2) There is no difference in the frequency and the inrush and energized apparent power, since a rectifying circuit is used in the AC.

Note 3) The value at ambient temperature of 20°C and when the rated voltage is applied. The value depends on the ambient environment.

This is for reference.

Normally Open (N.O.)

DC Specification

Class B

Model	Power consumption (W) ^{Note 1)}	Temperature rise (°C) ^{Note 2)}
VXD2A to 2C	7.5	60
VXD2D, 2E	8.5	70
VXD2F, 2G	12.5	70

Class H

Model	Power consumption (W) ^{Note 1)}	Temperature rise (°C) ^{Note 2)}
VXD2A to 2C	9	100
VXD2D, 2E	12	100
VXD2F, 2G	15	100

AC Specification (Built-in Full-wave Rectifier Type)

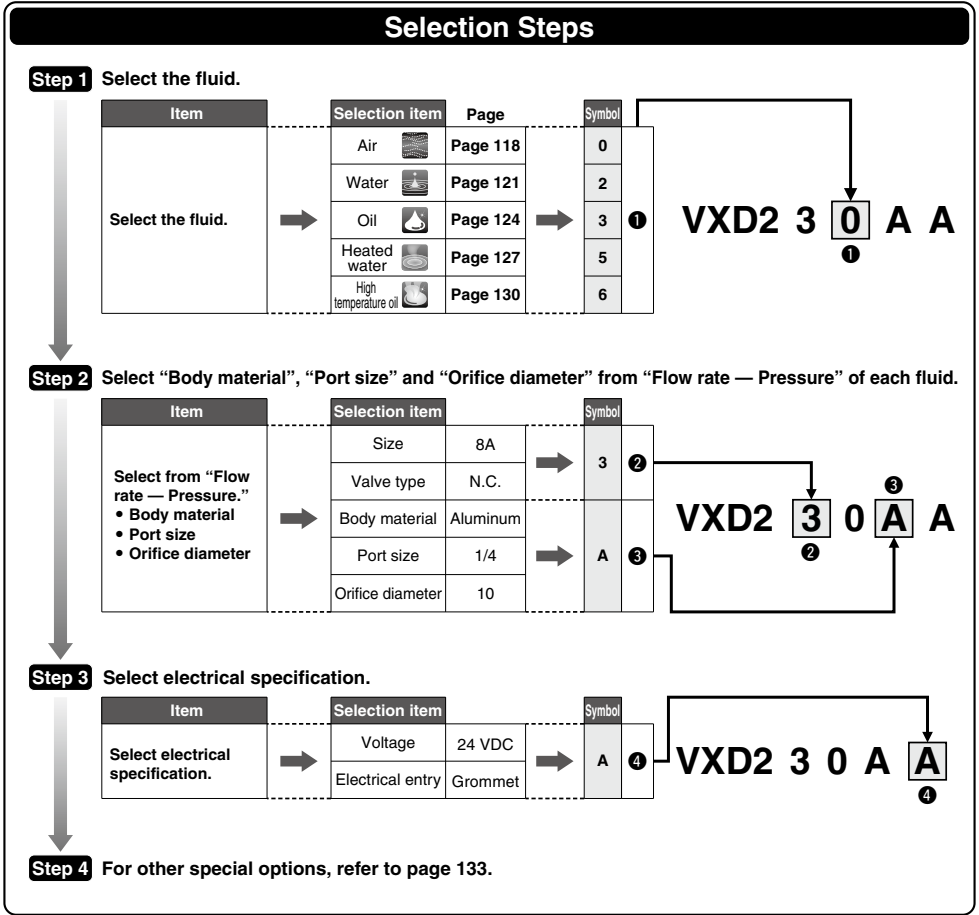
Class B

Model	Apparent power (VA)	Temperature rise (°C)
VXD2A to 2C	9	60
VXD2D, 2E	10	70
VXD2F, 2G	14	70

Class H

Model	Apparent power (VA) ^{Note 1) 2)}	Temperature rise (°C) ^{Note 3)}
VXD2A to 2C	9	100
VXD2D, 2E	12	100
VXD2F, 2G	15	100

VXD Series Selection Steps



VX2
VXX
VXD
VXZ
VXS
VXB
VXE
VXP
VXR
VXH
VXF
VX3
VXA

VXD Series

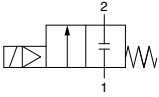


For Air

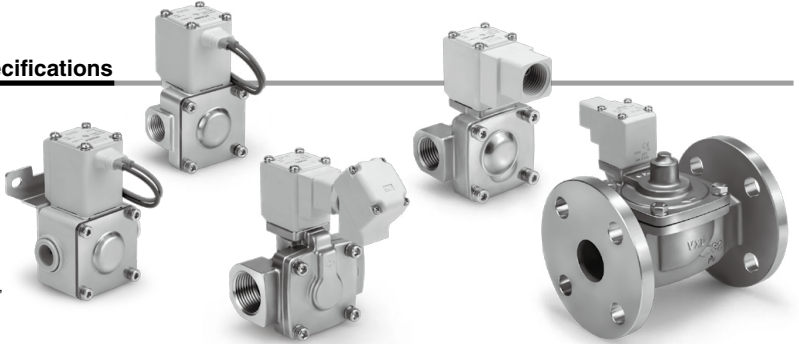
Model/Valve Specifications

N.C.

Symbol



Refer to "Glossary of Terms" on page 156 for symbol.



Normally Closed (N.C.)

Body material	Port size	Orifice diameter (mm)	Model	Min. operating pressure differential ^{Note 1, 3)} (MPa)	Max. operating pressure differential ^{Note 3)}		Flow rate characteristics			Effective area (mm ²)	Max. system pressure ^{Note 3)} (MPa)	Weight ^{Note 2)} (g)							
					AC	DC	C	b	Cv										
Aluminum	1/4 (8A)	10	VXD230	0.02	0.9	0.7	8.5	0.35	2.0	—	1.5	370							
	9.2						2.4		370										
	9.2						2.4		370										
Resin	1/2 (15A)						15	VXD240	0.02			1.0	1.0	5.6	0.33	1.3	—	1.5	330
	4.8													0.9		330			
	7.2													1.5		330			
Stainless steel, C37	3/8 (10A)	20	VXD250	0.03	1.0	1.0	18.0	0.35	5.0	—	1.5	720							
	20.0						5.5		720										
	38.0						9.5		840										
CAC408	1 (25A)	25	VXD260	0.03	1.0	1.0	—	—	225	—	1.5	1360							
	32A Flange	35	VXD270						415			5400							
	40A Flange	40	VXD280						560			6800							
	50A Flange	50	VXD290						880			8400							

Note 1) Be aware that even if the pressure differential is above the minimum operating pressure differential when the valve is closed, the pressure differential may fall below the minimum operating pressure differential when the valve opens, depending on the power of the supply source (pumps, compressors, etc.,) or the type of pipe restrictions.

Note 2) Weight of grommet type. Add 10 g for conduit type, 30 g for DIN terminal type, 60 g for conduit terminal type respectively.

Note 3) Refer to "Glossary of Terms" on page 156 for details on the minimum operating pressure differential, maximum operating pressure differential, maximum system pressure.

Fluid and Ambient Temperature

Fluid temperature (°C)	Ambient temperature (°C)
-10 ^{Note)} to 60	-20 to 60

Note) Dew point temperature: -10°C or less

Valve Leakage Rate

Internal Leakage

Seal material	Leakage rate (Air) ^{Note 1)}	
	VXD23 to 26 (8A to 25A)	VXD27 to 29 (32A to 50A)
NBR (FKM) ^{Note 2)}	15 cm ³ /min or less (Aluminum body type) 15 cm ³ /min or less (Resin body type)	10 cm ³ /min or less
	2 cm ³ /min or less (Metal body type)	

External Leakage

Seal material	Leakage rate (Air) ^{Note 1)}	
	VXD23 to 26 (8A to 25A)	VXD27 to 29 (32A to 50A)
NBR (FKM) ^{Note 2)}	15 cm ³ /min or less (Aluminum body type) 15 cm ³ /min or less (Resin body type)	1 cm ³ /min or less
	1 cm ³ /min or less (Metal body type)	

Note 1) Leakage is the value at ambient temperature 20°C.

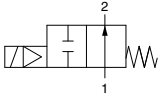
Note 2) For seal material/FKM, refer to "Other options" on page 133 for the selection.



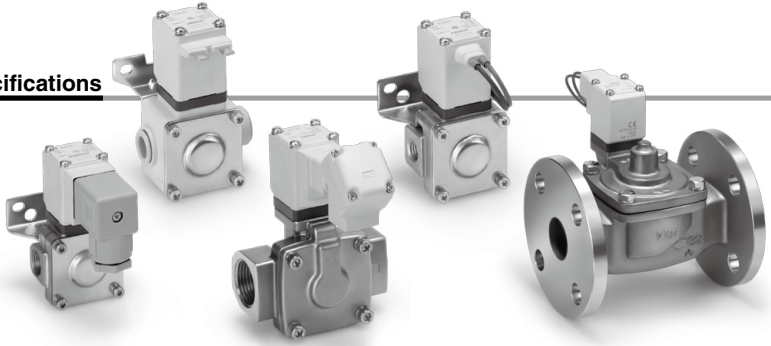
Model/Valve Specifications

N.O.

Symbol



Refer to "Glossary of Terms" on page 156 for symbol.



Normally Open (N.O.)

Body material	Port size	Orifice diameter (mm)	Model	Min. operating pressure differential ^{Note 1, 3)} (MPa)	Max. operating pressure differential ^{Note 3)}		Flow rate characteristics				Max. system pressure ^{Note 3)} (MPa)	Weight ^{Note 2)} (g)	
					AC	DC	C	b	Cv	Effective area (mm ²)			
Aluminum	1/4 (8A)	10	VXD2A0	0.02	0.6	0.4	8.5	0.35	2.0	—	1.5	390	
	3/8 (10A)						9.2					2.4	390
	1/2 (15A)						9.2					2.4	390
Resin	ø10						5.6	0.33	1.3			350	
	ø3/8"						4.8					0.9	350
	ø12						7.2					1.5	350
Stainless steel, C37	3/8 (10A)	15	VXD2B0	0.03	0.7	0.7	18.0	0.35	5.0	740			
	1/2 (15A)						20.0			5.5	740		
	3/4 (20A)	20	VXD2C0				38.0	0.30	9.5	860			
	1 (25A)	25	VXD2D0				225	1390					
CAC408	32A Flange	35	VXD2E0	0.03			—		415	5430			
	40A Flange	40	VXD2F0				560		6840				
	50A Flange	50	VXD2G0				880		8440				

Note 1) Be aware that even if the pressure differential is above the minimum operating pressure differential when the valve is closed, the pressure differential may fall below the minimum operating pressure differential when the valve opens, depending on the power of the supply source (pumps, compressors, etc.,) or the type of pipe restrictions.

Note 2) Weight of grommet type. Add 10 g for conduit type, 30 g for DIN terminal type, 60 g for conduit terminal type respectively.

Note 3) Refer to "Glossary of Terms" on page 156 for details on the minimum operating pressure differential, maximum operating pressure differential, maximum system pressure.

Fluid and Ambient Temperature

Fluid temperature (°C)	Ambient temperature (°C)
-10 ^{Note)} to 60	-20 to 60

Note) Dew point temperature: -10°C or less

Valve Leakage Rate

Internal Leakage

Seal material	Leakage rate (Air) ^{Note 1)}	
	VXD2A to 2D (8A to 25A)	VXD2E to 2G (32A to 50A)
NBR (FKM) ^{Note 2)}	15 cm ³ /min or less (Aluminum body type) 15 cm ³ /min or less (Resin body type)	10 cm ³ /min or less 2 cm ³ /min or less (Metal body type)

External Leakage

Seal material	Leakage rate (Air) ^{Note 1)}	
	VXD2A to 2D (8A to 25A)	VXD2E to 2G (32A to 50A)
NBR (FKM) ^{Note 2)}	15 cm ³ /min or less (Aluminum body type) 15 cm ³ /min or less (Resin body type) 1 cm ³ /min or less (Metal body type)	1 cm ³ /min or less

Note 1) Leakage is the value at ambient temperature 20°C.

Note 2) For seal material/FKM, refer to "Other options" on page 133 for the selection.

VX2

VXK

VXD

VXZ

VXS

VXB

VXE

VXP

VXR

VXH

VXF

VX3

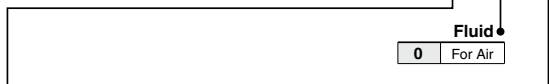
VXA



How to Order



VXD2 **3** **0** **A** **A**



Size—Valve type

Symbol	Size	Valve type
3	8A	N.C.
	10A	
	15A	
A		N.O.

Body material/Port size/Orifice diameter

Symbol	Body material	Port size	Orifice diameter
A	Aluminum	1/4	10
B		3/8	
C		1/2	
D	Resin	ø10 One-touch fitting	
E		ø3/8" One-touch fitting	
F		ø12 One-touch fitting	

Symbol	Size	Valve type
4	10A	N.C.
	15A	N.O.

Symbol	Body material	Port size	Orifice diameter
G	C37	3/8	15
H		1/2	
J	Stainless steel	3/8	
K		1/2	

Symbol	Size	Valve type
5	20A	N.C.
C		N.O.

Symbol	Body material	Port size	Orifice diameter
L	C37	3/4	20
M	Stainless steel		

Symbol	Size	Valve type
6	25A	N.C.
D		N.O.

Symbol	Body material	Port size	Orifice diameter
N	C37	1	25
P	Stainless steel		

Symbol	Size	Valve type
7	32A	N.C.
E		N.O.

Symbol	Body material	Port size	Orifice diameter
Q	CAC408	32A Flange	35

Symbol	Size	Valve type
8	40A	N.C.
F		N.O.

Symbol	Body material	Port size	Orifice diameter
R	CAC408	40A Flange	40

Symbol	Size	Valve type
9	50A	N.C.
G		N.O.

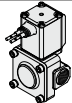
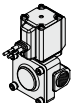
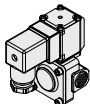
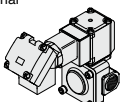
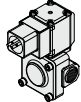

Symbol	Body material	Port size	Orifice diameter
S	CAC408	50A Flange	50

Common Specifications

Seal material	NBR
Coil insulation type	Class B
Thread type	Rc*

* When the body is resin, one-touch fittings are supplied. For body size 32A or more, the ports will be the flange type.

Voltage/Electrical entry

Symbol	Voltage	Electrical entry
A	24 VDC	Grommet 
B	100 VAC	Grommet (With surge voltage suppressor) 
C	110 VAC	
D	200 VAC	
E	230 VAC	
F	24 VDC	DIN terminal (With surge voltage suppressor) 
G	24 VDC	
H	100 VAC	
J	110 VAC	
K	200 VAC	
L	230 VAC	
M	24 VDC	Conduit terminal (With surge voltage suppressor) 
N	100 VAC	
P	110 VAC	
Q	200 VAC	
R	230 VAC	
S	24 VDC	
T	100 VAC	
U	110 VAC	Conduit (With surge voltage suppressor) 
V	200 VAC	
W	230 VAC	
Y	24 VDC	Flat terminal 
Z	Other special options	

For other special options, refer to page 133.

Special voltage	24 VAC
	48 VAC
	220 VAC
	240 VAC
	12 VDC
DIN terminal with light	
Conduit terminal with light	
Without DIN connector	
Low concentration ozone resistant (Seal material: FKM)	
Seal material: EPDM	
Oil-free	
G thread	
NPT thread	
With bracket	
Special electrical entry direction	

Dimensions → Page on and after 138 (Single Unit)



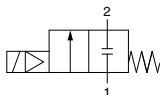
For Water

* Possible to use this for air.
 Note that the maximum operating pressure differential and flow rate characteristics should be within the specifications for air.

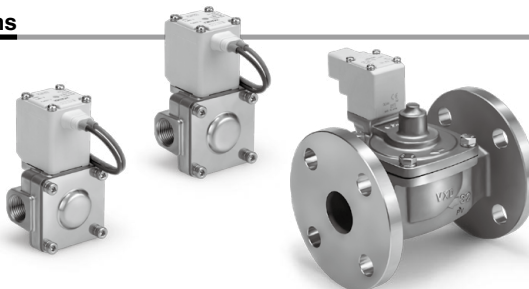
Model/Valve Specifications

N.C.

Symbol



Refer to "Glossary of Terms" on page 156 for symbol.



Normally Closed (N.C.)

Body material	Port size	Orifice diameter (mm)	Model	Min. operating pressure differential ^{Note 1, 3)} (MPa)	Max. operating pressure differential ^{Note 3)}		Flow rate characteristics		Max. system pressure ^{Note 3)} (MPa)	Weight ^{Note 2)} (g)
					AC	DC	Kv	Conversion Cv		
Stainless steel, C37	1/4 (8A)	10	VXD232	0.02	0.7	0.5	1.6	1.9	1.5	480
	3/8 (10A)						2.0	2.4		480
	1/2 (15A)						2.0	2.4		480
	3/8 (10A)	15	VXD242		3.9	4.5	720			
	1/2 (15A)				4.6	5.5	720			
	3/4 (20A)				8.2	9.5	840			
CAC408	1 (25A)	25	VXD262	0.03	1.0	1.0	11.0	13	1360	
	32A Flange	35	VXD272				19.6	23	5400	
	40A Flange	40	VXD282				26.4	31	6800	
	50A Flange	50	VXD292				42.8	49	8400	

Note 1) Be aware that even if the pressure differential is above the minimum operating pressure differential when the valve is closed, the pressure differential may fall below the minimum operating pressure differential when the valve opens, depending on the power of the supply source (pumps, compressors, etc.) or the type of pipe restrictions.

Note 2) Weight of grommet type. Add 10 g for conduit type, 30 g for DIN terminal type, 60 g for conduit terminal type respectively.

Note 3) Refer to "Glossary of Terms" on page 156 for details on the minimum operating pressure differential, maximum operating pressure differential, maximum system pressure.

Fluid and Ambient Temperature

Fluid temperature (°C)	Ambient temperature (°C)
1 to 60 ^{Note)}	-20 to 60

Note) No freezing

Valve Leakage Rate

Internal Leakage

Seal material	Leakage rate (Water) ^{Note 1)}	
	VXD23 to 26 (8A to 25A)	VXD27 to 29 (32A to 50A)
NBR (FKM) ^{Note 2)}	0.2 cm ³ /min or less	1 cm ³ /min or less

External Leakage

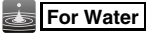
Seal material	Leakage rate (Water) ^{Note 1)}	
	VXD23 to 26 (8A to 25A)	VXD27 to 29 (32A to 50A)
NBR (FKM) ^{Note 2)}	0.1 cm ³ /min or less	0.1 cm ³ /min or less

Note 1) Leakage is the value at ambient temperature 20°C.

Note 2) For seal material/FKM, refer to "Other options" on page 133 for the selection.

- VX2
- VXK
- VXD**
- VXZ
- VXS
- VXB
- VXE
- VXP
- VXR
- VXH
- VXF
- VX3
- VXA

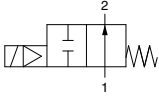
VXD Series



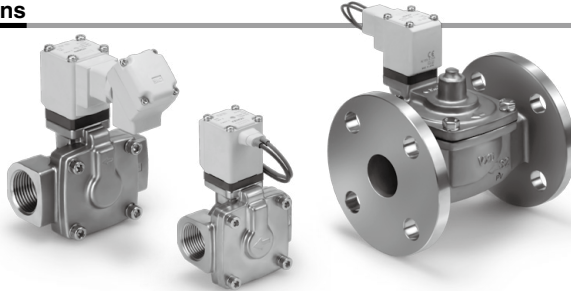
Model/Valve Specifications

N.O.

Symbol



Refer to "Glossary of Terms" on page 156 for symbol.



Normally Open (N.O.)

Body material	Port size	Orifice diameter (mm)	Model	Min. operating pressure differential ^{Note 1, 3)} (MPa)	Max. operating pressure differential ^{Note 3)}		Flow rate characteristics		Max. system pressure ^{Note 3)} (MPa)	Weight ^{Note 2)} (g)
					AC	DC	Kv	Conversion Cv		
Stainless steel, C37	1/4 (8A)	10	VXD2A2	0.02	0.4	0.3	1.6	1.9	1.5	500
	3/8 (10A)						2.0	2.4		500
	1/2 (15A)						2.0	2.4		500
	3/8 (10A)	15	VXD2B2		3.9	4.5	740			
	1/2 (15A)				4.6	5.5	740			
	3/4 (20A)				8.2	9.5	860			
CAC408	1 (25A)	20	VXD2C2	0.03	0.7	0.7	11.0	13	1390	
	32A Flange	35	VXD2E2				19.6	23	5430	
	40A Flange	40	VXD2F2				26.4	31	6840	
	50A Flange	50	VXD2G2				42.8	49	8440	

Note 1) Be aware that even if the pressure differential is above the minimum operating pressure differential when the valve is closed, the pressure differential may fall below the minimum operating pressure differential when the valve opens, depending on the power of the supply source (pumps, compressors, etc.) or the type of pipe restrictions.

Note 2) Weight of grommet type. Add 10 g for conduit type, 30 g for DIN terminal type, 60 g for conduit terminal type respectively.

Note 3) Refer to "Glossary of Terms" on page 156 for details on the minimum operating pressure differential, maximum operating pressure differential, maximum system pressure.

Fluid and Ambient Temperature

Fluid temperature (°C)	Ambient temperature (°C)
1 to 60 ^{Note)}	-20 to 60

Note) No freezing

Valve Leakage Rate

Internal Leakage

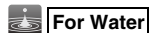
Seal material	Leakage rate (Water) ^{Note 1)}	
	VXD2A to 2D (8A to 25A)	VXD2E to 2G (32A to 50A)
NBR (FKM) ^{Note 2)}	0.2 cm ³ /min or less	1 cm ³ /min or less

External Leakage

Seal material	Leakage rate (Water) ^{Note 1)}	
	VXD2A to 2D (8A to 25A)	VXD2E to 2G (32A to 50A)
NBR (FKM) ^{Note 2)}	0.1 cm ³ /min or less	0.1 cm ³ /min or less

Note 1) Leakage is the value at ambient temperature 20°C.

Note 2) For seal material/FKM, refer to "Other options" on page 133 for the selection.



How to Order

VXD2 **3** **2** **A** **A**



Size—Valve type

Symbol	Size	Valve type
3	8A	N.C.
	10A	N.O.
A	15A	

Body material/Port size/Orifice diameter

Symbol	Body material	Port size	Orifice diameter
A	C37	1/4	10
B		3/8	
C		1/2	
D	Stainless steel	1/4	10
E		3/8	
F		1/2	

Symbol	Size	Valve type
4	10A	N.C.
	15A	N.O.

Symbol	Body material	Port size	Orifice diameter
G	C37	3/8	15
H		1/2	
J	Stainless steel	3/8	15
K		1/2	

Symbol	Size	Valve type
5	20A	N.C.
C		N.O.

Symbol	Body material	Port size	Orifice diameter
L	C37	3/4	20
M	Stainless steel		

Symbol	Size	Valve type
6	25A	N.C.
D		N.O.

Symbol	Body material	Port size	Orifice diameter
N	C37	1	25
P	Stainless steel		

Symbol	Size	Valve type
7	32A	N.C.
E		N.O.

Symbol	Body material	Port size	Orifice diameter
Q	CAC408	32A Flange	35

Symbol	Size	Valve type
8	40A	N.C.
F		N.O.

Symbol	Body material	Port size	Orifice diameter
R	CAC408	40A Flange	40

Symbol	Size	Valve type
9	50A	N.C.
G		N.O.

Symbol	Body material	Port size	Orifice diameter
S	CAC408	50A Flange	50

Common Specifications

Seal material	NBR
Coil insulation type	Class B
Thread type	Rc*

* For body size 32A or more, the ports will be the flange type.

Voltage/Electrical entry

Symbol	Voltage	Electrical entry
A	24 VDC	Grommet
		B
C	110 VAC	
D	200 VAC	
E	230 VAC	
F	24 VDC	DIN terminal (With surge voltage suppressor)
G	24 VDC	
H	100 VAC	Conduit terminal (With surge voltage suppressor)
J	110 VAC	
K	200 VAC	
L	230 VAC	Conduit (With surge voltage suppressor)
M	24 VDC	
N	100 VAC	Flat terminal
P	110 VAC	
Q	200 VAC	Other voltages and electrical option
R	230 VAC	
S	24 VDC	
T	100 VAC	
U	110 VAC	
V	200 VAC	
W	230 VAC	
Y	24 VDC	Flat terminal
Z	Other voltages and electrical option	

For other special options, refer to page 133.

Special voltage	24 VAC
	48 VAC
	220 VAC
	240 VAC
	12 VDC
DIN terminal with light	
Conduit terminal with light	
Without DIN connector	
Applicable to deionized water (Seal material: FKM)	
Seal material: EPDM	
Oil-free	
G thread	
NPT thread	
With bracket	
Special electrical entry direction	

Dimensions → Page on and after 140 (Single Unit)

VXD Series



For Oil

* Possible to use this for air and water.
Note that the maximum operating pressure differential and flow rate characteristics should be within the specifications of the fluid used.

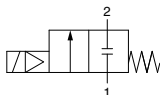
⚠ When the fluid is oil.

The kinematic viscosity must not exceed 50 mm²/s. The special construction of the armature adopted in the built-in full-wave rectifier type gives an improvement in OFF response by providing clearance on the absorbed surface when it is switched ON.

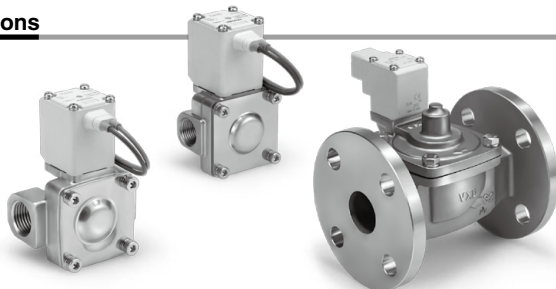
Model/Valve Specifications

N.C.

Symbol



Refer to "Glossary of Terms" on page 156 for symbol.



Normally Closed (N.C.)

Body material	Port size	Orifice diameter (mm)	Model	Min. operating pressure differential ^{Note 1, 3)} (MPa)	Max. operating pressure differential ^{Note 3)}		Flow rate characteristics		Max. system pressure ^{Note 3)} (MPa)	Weight ^{Note 2)} (g)
					AC	DC	Kv	Conversion Cv		
Stainless steel, C37	1/4 (8A)	10	VXD233	0.02	0.5	0.4	1.6	1.9	1.5	480
	3/8 (10A)						2.0	2.4		480
	1/2 (15A)						2.0	2.4		480
	3/8 (10A)	15	VXD243		3.9	4.5	720			
	1/2 (15A)				4.6	5.5	720			
	3/4 (20A)				8.2	9.5	840			
CAC408	1 (25A)	25	VXD263	0.03	0.7	0.7	11.0	13	1360	
	32A Flange	35	VXD273				19.6	23	5400	
	40A Flange	40	VXD283				26.4	31	6800	
	50A Flange	50	VXD293				42.8	49	8400	

Note 1) Be aware that even if the pressure differential is above the minimum operating pressure differential when the valve is closed, the pressure differential may fall below the minimum operating pressure differential when the valve opens, depending on the power of the supply source (pumps, compressors, etc.) or the type of pipe restrictions.

Note 2) Weight of grommet type. Add 10 g for conduit type, 30 g for DIN terminal type, 60 g for conduit terminal type respectively.

Note 3) Refer to "Glossary of Terms" on page 156 for details on the minimum operating pressure differential, maximum operating pressure differential, maximum system pressure.

Fluid and Ambient Temperature

Fluid temperature (°C)	Ambient temperature (°C)
-5 ^{Note)} to 60	-20 to 60

Note) Kinematic viscosity: 50 mm²/s or less

Valve Leakage Rate

Internal Leakage

Seal material	Leakage rate (Oil) ^{Note)}	
	VXD23 to 26 (8A to 25A)	VXD27 to 29 (32A to 50A)
FKM	0.2 cm ³ /min or less	1 cm ³ /min or less

External Leakage

Seal material	Leakage rate (Oil) ^{Note)}	
	VXD23 to 26 (8A to 25A)	VXD27 to 29 (32A to 50A)
FKM	0.1 cm ³ /min or less	0.1 cm ³ /min or less

Note) Leakage is the value at ambient temperature 20°C.

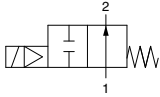


⚠ When the fluid is oil.
 The kinematic viscosity must not exceed 50 mm²/s. The special construction of the armature adopted in the built-in full-wave rectifier type gives an improvement in OFF response by providing clearance on the absorbed surface when it is switched ON.

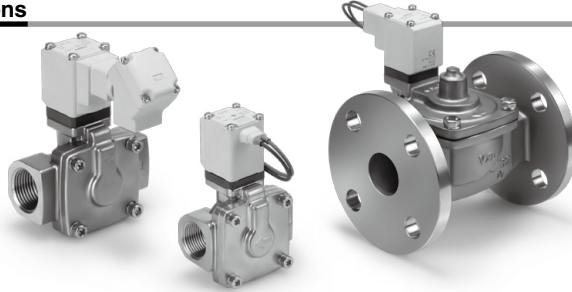
Model/Valve Specifications

N.O.

Symbol



Refer to "Glossary of Terms" on page 156 for symbol.



Normally Open (N.O.)

Body material	Port size	Orifice diameter (mm)	Model	Min. operating pressure differential <small>Note 1, 3)</small> (MPa)	Max. operating pressure differential <small>Note 3)</small>		Flow rate characteristics		Max. system pressure <small>Note 3)</small> (MPa)	Weight <small>Note 2)</small> (g)
					AC	DC	Kv	Conversion Cv		
Stainless steel, C37	1/4 (8A)	10	VXD2A3	0.02	0.4	0.3	1.6	1.9	1.5	500
	3/8 (10A)						2.0	2.4		500
	1/2 (15A)						2.0	2.4		500
	3/8 (10A)	15	VXD2B3		3.9	4.5	740			
	1/2 (15A)				4.6	5.5	740			
	3/4 (20A)				8.2	9.5	860			
1 (25A)	25	VXD2D3	0.6	0.6	11.0	13	1390			
CAC408	32A Flange	35	VXD2E3	0.03	0.6	0.6	19.6	23	5430	
	40A Flange	40	VXD2F3				26.4	31	6840	
	50A Flange	50	VXD2G3				42.8	49	8440	

Note 1) Be aware that even if the pressure differential is above the minimum operating pressure differential when the valve is closed, the pressure differential may fall below the minimum operating pressure differential when the valve opens, depending on the power of the supply source (pumps, compressors, etc.) or the type of pipe restrictions.

Note 2) Weight of grommet type. Add 10 g for conduit type, 30 g for DIN terminal type, 60 g for conduit terminal type respectively.

Note 3) Refer to "Glossary of Terms" on page 156 for details on the minimum operating pressure differential, maximum operating pressure differential, maximum system pressure.

Fluid and Ambient Temperature

Fluid temperature (°C)	Ambient temperature (°C)
-5 <small>Note)</small> to 60	-20 to 60

Note) Kinematic viscosity: 50 mm²/s or less

Valve Leakage Rate

Internal Leakage

Seal material	Leakage rate (Oil) <small>Note)</small>	
	VXD2A to 2D (8A to 25A)	VXD2E to 2G (32A to 50A)
FKM	0.2 cm ³ /min or less	1 cm ³ /min or less

External Leakage

Seal material	Leakage rate (Oil) <small>Note)</small>	
	VXD2A to 2D (8A to 25A)	VXD2E to 2G (32A to 50A)
FKM	0.1 cm ³ /min or less	0.1 cm ³ /min or less

Note) Leakage is the value at ambient temperature 20°C.

VX2

VXK

VXD

VXZ

VXS

VXB

VXE

VXP

VXR

VXH

VXF

VX3

VXA



How to Order



VXD2 **3** **3** **A** **A**



Size—Valve type

Symbol	Size	Valve type
3	8A	N.C.
	10A	N.O.
A	15A	

Body material/Port size/Orifice diameter

Symbol	Body material	Port size	Orifice diameter
A	C37	1/4	10
B		3/8	
C		1/2	
D	Stainless steel	1/4	
E		3/8	
F		1/2	

Symbol	Size	Valve type
4	10A	N.C.
	15A	N.O.

Symbol	Body material	Port size	Orifice diameter
G	C37	3/8	15
H		1/2	
J	Stainless steel	3/8	
K		1/2	

Symbol	Size	Valve type
5	20A	N.C.
C		N.O.

Symbol	Body material	Port size	Orifice diameter
L	C37	3/4	20
M	Stainless steel		

Symbol	Size	Valve type
6	25A	N.C.
D		N.O.

Symbol	Body material	Port size	Orifice diameter
N	C37	1	25
P	Stainless steel		

Symbol	Size	Valve type
7	32A	N.C.
E		N.O.

Symbol	Body material	Port size	Orifice diameter
Q	CAC408	32A Flange	35

Symbol	Size	Valve type
8	40A	N.C.
F		N.O.

Symbol	Body material	Port size	Orifice diameter
R	CAC408	40A Flange	40

Symbol	Size	Valve type
9	50A	N.C.
G		N.O.

Symbol	Body material	Port size	Orifice diameter
S	CAC408	50A Flange	50

Common Specifications

Seal material	FKM
Coil insulation type	Class B
Thread type	Rc*

* For body size 32A or more, the ports will be the flange type.

Voltage/Electrical entry

Symbol	Voltage	Electrical entry
A	24 VDC	Grommet
B	100 VAC	Grommet (With surge voltage suppressor)
C	110 VAC	
D	200 VAC	
E	230 VAC	
F	24 VDC	
G	24 VDC	
H	100 VAC	DIN terminal (With surge voltage suppressor)
J	110 VAC	
K	200 VAC	
L	230 VAC	
M	24 VDC	Conduit terminal (With surge voltage suppressor)
N	100 VAC	
P	110 VAC	
Q	200 VAC	
R	230 VAC	Conduit (With surge voltage suppressor)
S	24 VDC	
T	100 VAC	
U	110 VAC	
V	200 VAC	
W	230 VAC	
Y	24 VDC	Flat terminal
Z	Other voltages and electrical option	

For other special options, refer to page 133.

Special voltage	24 VAC
	48 VAC
	220 VAC
	240 VAC
	12 VDC
DIN terminal with light	
Conduit terminal with light	
Without DIN connector	
Oil-free	
G thread	
NPT thread	
With bracket	
Special electrical entry direction	

Dimensions → Page on and after 140 (Single Unit)



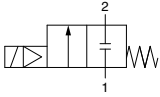
For Heated water

* Possible to use this for air (up to 99°C) and water.
 Note that the maximum operating pressure differential and flow rate characteristics should be within the specifications of the fluid used.

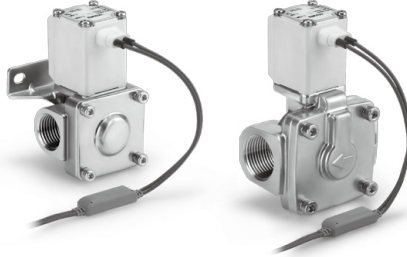
Model/Valve Specifications

N.C.

Symbol



Refer to "Glossary of Terms" on page 156 for symbol.



Normally Closed (N.C.)

Body material	Port size	Orifice diameter (mm)	Model	Min. operating pressure differential ^{Note 1, 3)} (MPa)	Max. operating pressure differential ^{Note 3)}		Flow rate characteristics		Max. system pressure ^{Note 3)} (MPa)	Weight ^{Note 2)} (g)
					AC	DC	Kv	Conversion Cv		
Stainless steel, C37	1/4 (8A)	10	VXD235	0.02	0.7	0.5	1.6	1.9	1.5	480
	3/8 (10A)						2.0	2.4		480
	1/2 (15A)						2.0	2.4		480
	3/8 (10A)	15	VXD245		3.9	4.5	720			
	1/2 (15A)				4.6	5.5	720			
	3/4 (20A)				8.2	9.5	840			
CAC408	1 (25A)	25	VXD265	0.03	1.0	1.0	11.0	13	1360	
32A Flange	35	VXD275	19.6				23	5400		
40A Flange	40	VXD285	26.4				31	6800		
50A Flange	50	VXD295	42.8				49	8400		

Note 1) Be aware that even if the pressure differential is above the minimum operating pressure differential when the valve is closed, the pressure differential may fall below the minimum operating pressure differential when the valve opens, depending on the power of the supply source (pumps, compressors, etc.) or the type of pipe restrictions.

Note 2) Weight of grommet type. Add 10 g for conduit type, 60 g for conduit terminal type respectively.

Note 3) Refer to "Glossary of Terms" on page 156 for details on the minimum operating pressure differential, maximum operating pressure differential, maximum system pressure.

Fluid and Ambient Temperature

Fluid temperature (°C)	Ambient temperature (°C)
1 to 99	-20 to 60

Note) No freezing

Valve Leakage Rate

Internal Leakage

Seal material	Leakage rate (Water) ^{Note)}	
	VXD23 to 26 (8A to 25A)	VXD27 to 29 (32A to 50A)
EPDM	0.2 cm ³ /min or less	1 cm ³ /min or less

External Leakage

Seal material	Leakage rate (Water) ^{Note)}	
	VXD23 to 26 (8A to 25A)	VXD27 to 29 (32A to 50A)
EPDM	0.1 cm ³ /min or less	0.1 cm ³ /min or less

Note) Leakage is the value at ambient temperature 20°C.

VX2

VXK

VXD

VXZ

VXS

VXB

VXE

VXP

VXR

VXH

VXF

VX3

VXA

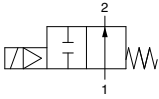
VXD Series

For Heated water

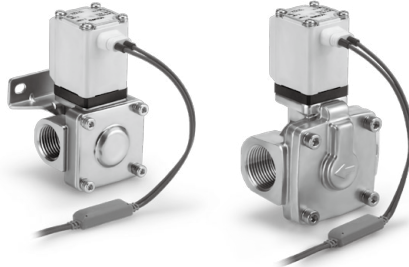
Model/Valve Specifications

N.O.

Symbol



Refer to "Glossary of Terms" on page 156 for symbol.



Normally Open (N.O.)

Body material	Port size	Orifice diameter (mm)	Model	Min. operating pressure differential ^{Note 1, 3)} (MPa)	Max. operating pressure differential ^{Note 3)}		Flow rate characteristics		Max. system pressure ^{Note 3)} (MPa)	Weight ^{Note 2)} (g)
					AC	DC	Kv	Conversion Cv		
Stainless steel, C37	1/4 (8A)	10	VXD2A5	0.02	0.4	0.3	1.6	1.9	1.5	500
	3/8 (10A)						2.0	2.4		500
	1/2 (15A)						2.0	2.4		500
	3/8 (10A)	15	VXD2B5		3.9	4.5	740			
	1/2 (15A)				4.6	5.5	740			
	3/4 (20A)				8.2	9.5	860			
CAC408	1 (25A)	20	VXD2C5	0.03	0.7	0.7	11.0	13	1390	
	32A Flange	35	VXD2E5				19.6	23	5430	
	40A Flange	40	VXD2F5				26.4	31	6840	
	50A Flange	50	VXD2G5				42.8	49	8440	

Note 1) Be aware that even if the pressure differential is above the minimum operating pressure differential when the valve is closed, the pressure differential may fall below the minimum operating pressure differential when the valve opens, depending on the power of the supply source (pumps, compressors, etc.) or the type of pipe restrictions.

Note 2) Weight of grommet type. Add 10 g for conduit type, 60 g for conduit terminal type respectively.

Note 3) Refer to "Glossary of Terms" on page 156 for details on the minimum operating pressure differential, maximum operating pressure differential, maximum system pressure.

Fluid and Ambient Temperature

Fluid temperature (°C)	Ambient temperature (°C)
1 to 99	-20 to 60

Note) No freezing

Valve Leakage Rate

Internal Leakage

Seal material	Leakage rate (Water) ^{Note)}	
	VXD2A to 2D (8A to 25A)	VXD2E to 2G (32A to 50A)
EPDM	0.2 cm ³ /min or less	1 cm ³ /min or less

External Leakage

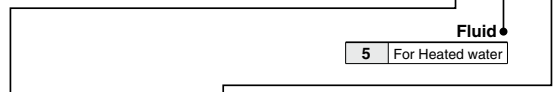
Seal material	Leakage rate (Water) ^{Note)}	
	VXD2A to 2D (8A to 25A)	VXD2E to 2G (32A to 50A)
EPDM	0.1 cm ³ /min or less	0.1 cm ³ /min or less

Note) Leakage is the value at ambient temperature 20°C.



How to Order

VXD2 **3** **5** **A** **B**



Common Specifications

Seal material	EPDM
Coil insulation type	Class H
Thread type	Rc*

* For body size 32A or more, the ports will be the flange type.

Size—Valve type **Body material/Port size/Orifice diameter**

Symbol	Size	Valve type	Symbol	Body material	Port size	Orifice diameter
3	8A 10A 15A	N.C.	A	C37	1/4	10
			B		3/8	
			C		1/2	
	A	N.O.	D	1/4		
			E	3/8		
			F	1/2		
4	10A 15A	N.C.	G	C37	3/8	15
			H		1/2	
			J		3/8	
B	N.O.	K	Stainless steel	1/2		
		L	C37	3/4	20	
5	20A	N.C.	M	Stainless steel	1	
			C	N.O.		
6	25A	N.C.	N	C37	32A Flange	35
			D	N.O.		
7	32A	N.C.	Q	CAC408	40A Flange	40
8	40A	N.C.	R	CAC408	50A Flange	50
9	50A	N.C.	S	CAC408	50A Flange	50

Voltage/Electrical entry

Symbol	Voltage	Electrical entry		
A	24 VDC	Grommet 		
		Brommet (With surge voltage suppressor) 		
			C	110 VAC
			D	200 VAC
			E	230 VAC
			G	24 VDC
H	100 VAC	DIN terminal (With surge voltage suppressor>Note) 		
		J	110 VAC	
		K	200 VAC	
		L	230 VAC	
N	100 VAC	Conduit terminal (With surge voltage suppressor) 		
		P	110 VAC	
		Q	200 VAC	
		R	230 VAC	
T	100 VAC	Conduit (With surge voltage suppressor) 		
		U	110 VAC	
		V	200 VAC	
		W	230 VAC	
Z		Other voltages		

Note) For the class H type DIN terminal, use it in combination with the connector provided.

For other special options, refer to page 133.

Special voltage	24 VAC
	48 VAC
	220 VAC
	240 VAC
Conduit terminal with light	
Oil-free	
G thread	
NPT thread	
With bracket	
Special electrical entry direction	

- VX2
- VXK
- VXD
- VXZ
- VXS
- VXB
- VXE
- VXP
- VXR
- VXH
- VXF
- VX3
- VXA

VXD Series



For High temperature oil

* Possible to use this for air (up to 99°C) and water.
 Note that the maximum operating pressure differential and flow rate characteristics should be within the specifications of the fluid used.

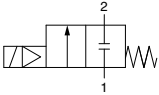
⚠ When the fluid is oil.

The kinematic viscosity must not exceed 50 mm²/s. The special construction of the armature adopted in the built-in full-wave rectifier type gives an improvement in OFF response by providing clearance on the absorbed surface when it is switched ON.

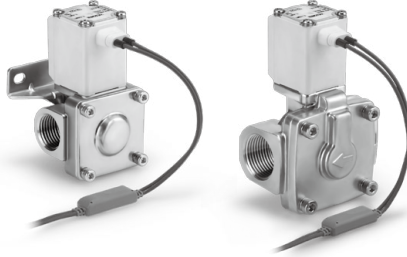
Model/Valve Specifications

N.C.

Symbol



Refer to "Glossary of Terms" on page 156 for symbol.



Normally Closed (N.C.)

Body material	Port size	Orifice diameter (mm)	Model	Min. operating pressure differential ^{Note 1, 3)} (MPa)	Max. operating pressure differential ^{Note 3)}		Flow rate characteristics		Max. system pressure ^{Note 3)} (MPa)	Weight ^{Note 2)} (g)
					AC	DC	Kv	Conversion Cv		
Stainless steel, C37	1/4 (8A)	10	VXD236	0.02	0.5	0.4	1.6	1.9	1.5	480
	3/8 (10A)						2.0	2.4		480
	1/2 (15A)						2.0	2.4		480
	3/8 (10A)	15	VXD246		3.9	4.5	720			
	1/2 (15A)				4.6	5.5	720			
	3/4 (20A)				8.2	9.5	840			
CAC408	1 (25A)	25	VXD266	0.03	0.7	0.7	11.0	13	1360	
	32A Flange	35	VXD276				19.6	23	5400	
	40A Flange	40	VXD286				26.4	31	6800	
	50A Flange	50	VXD296				42.8	49	8400	

Note 1) Be aware that even if the pressure differential is above the minimum operating pressure differential when the valve is closed, the pressure differential may fall below the minimum operating pressure differential when the valve opens, depending on the power of the supply source (pumps, compressors, etc.) or the type of pipe restrictions.

Note 2) Weight of grommet type. Add 10 g for conduit type, 60 g for conduit terminal type respectively.

Note 3) Refer to "Glossary of Terms" on page 156 for details on the minimum operating pressure differential, maximum operating pressure differential, maximum system pressure.

Fluid and Ambient Temperature

Fluid temperature (°C)	Ambient temperature (°C)
-5 ^{Note)} to 100	-20 to 60

Note) Kinematic viscosity: 50 mm²/s or less

Valve Leakage Rate

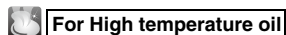
Internal Leakage

Seal material	Leakage rate (Oil) ^{Note)}	
	VXD23 to 26 (8A to 25A)	VXD27 to 29 (32A to 50A)
FKM	0.2 cm ³ /min or less	1 cm ³ /min or less

External Leakage

Seal material	Leakage rate (Oil) ^{Note)}	
	VXD23 to 26 (8A to 25A)	VXD27 to 29 (32A to 50A)
FKM	0.1 cm ³ /min or less	0.1 cm ³ /min or less

Note) Leakage is the value at ambient temperature 20°C.



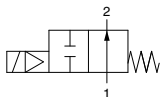
⚠ When the fluid is oil.

The kinematic viscosity must not exceed 50 mm²/s. The special construction of the armature adopted in the built-in full-wave rectifier type gives an improvement in OFF response by providing clearance on the absorbed surface when it is switched ON.

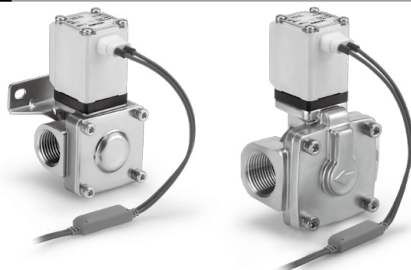
Model/Valve Specifications

N.O.

Symbol



Refer to "Glossary of Terms" on page 156 for symbol.



Normally Open (N.O.)

Body material	Port size	Orifice diameter (mm)	Model	Min. operating pressure differential <small>Note 1, 3)</small> (MPa)	Max. operating pressure differential <small>Note 3)</small>		Flow rate characteristics		Max. system pressure <small>Note 3)</small> (MPa)	Weight <small>Note 2)</small> (g)
					AC	DC	Kv	Conversion Cv		
Stainless steel, C37	1/4 (8A)	10	VXD2A6	0.02	0.4	0.3	1.6	1.9	1.5	500
	3/8 (10A)						2.0	2.4		500
	1/2 (15A)						2.0	2.4		500
	3/8 (10A)	15	VXD2B6		3.9	4.5	740			
	1/2 (15A)				4.6	5.5	740			
	3/4 (20A)				8.2	9.5	860			
CAC408	1 (25A)	25	VXD2D6	0.03	0.6	0.6	11.0	13	1390	
	32A Flange	35	VXD2E6				19.6	23	5430	
	40A Flange	40	VXD2F6				26.4	31	6840	
	50A Flange	50	VXD2G6				42.8	49	8440	

Note 1) Be aware that even if the pressure differential is above the minimum operating pressure differential when the valve is closed, the pressure differential may fall below the minimum operating pressure differential when the valve opens, depending on the power of the supply source (pumps, compressors, etc.) or the type of pipe restrictions.

Note 2) Weight of grommet type. Add 10 g for conduit type, 60 g for conduit terminal type respectively.

Note 3) Refer to "Glossary of Terms" on page 156 for details on the minimum operating pressure differential, maximum operating pressure differential, maximum system pressure.

Fluid and Ambient Temperature

Fluid temperature (°C)	Ambient temperature (°C)
-5 <small>Note)</small> to 100	-20 to 60

Note) Kinematic viscosity: 50 mm²/s or less

Valve Leakage Rate

Internal Leakage

Seal material	Leakage rate (Oil) <small>Note)</small>	
	VXD2A to 2D (8A to 25A)	VXD2E to 2G (32A to 50A)
FKM	0.2 cm ³ /min or less	1 cm ³ /min or less

External Leakage

Seal material	Leakage rate (Oil) <small>Note)</small>	
	VXD2A to 2D (8A to 25A)	VXD2E to 2G (32A to 50A)
FKM	0.1 cm ³ /min or less	0.1 cm ³ /min or less

Note) Leakage is the value at ambient temperature 20°C.

VX2

VXK

VXD

VXZ

VXS

VXB

VXE

VXP

VXR


VXH

VXF

VX3

VXA

Series VXD

 For High temperature oil

How to Order



VXD2 **3** **6** **A** **B**

●Size—Valve type			●Body material/Port size/Orifice diameter				
Symbol	Size	Valve type	Symbol	Body material	Port size	Orifice diameter	
3	8A	N.C.	A	C37	1/4	10	
	10A		B		3/8		
	15A		C		1/2		
A	N.O.	D	1/4				
		E	3/8				
		F	1/2				
4	10A	N.C.	G	C37	3/8	15	
	15A		H		1/2		
	B		N.O.		J		3/8
K		1/2					
5	20A	N.C.	L	C37	3/4		20
			C				
6	25A	N.C.	N	C37	1	25	
			D				P
7	32A	N.C.	Q	CAC408	32A Flange	35	
							E
8	40A	N.C.	R	CAC408	40A Flange	40	
							F
9	50A	N.C.	S	CAC408	50A Flange	50	
							G

Fluid


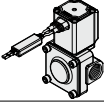

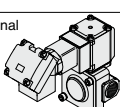
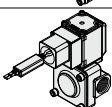
6 For High temperature oil

Common Specifications

Seal material	FKM
Coil insulation type	Class H
Thread type	Rc*

* For body size 32A or more, the ports will be the flange type.

●Voltage/Electrical entry

Symbol	Voltage	Electrical entry
A	24 VDC	Grommet 
B	100 VAC	Grommet (With surge voltage suppressor) 
C	110 VAC	
D	200 VAC	
E	230 VAC	
G	24 VDC	DIN terminal (With surge voltage suppressor ^{Note}) 
H	100 VAC	
J	110 VAC	
K	200 VAC	
L	230 VAC	Conduit terminal (With surge voltage suppressor) 
N	100 VAC	
P	110 VAC	
Q	200 VAC	
R	230 VAC	Conduit (With surge voltage suppressor) 
T	100 VAC	
U	110 VAC	
V	200 VAC	
W	230 VAC	
Z		Other voltages

Note) For the class H type DIN terminal, use it in combination with the connector provided.

For other special options, refer to page 133.

Special voltage	24 VAC
	48 VAC
	220 VAC
	240 VAC
Conduit terminal with light	
Oil-free	
G thread	
NPT thread	
With bracket	
Special electrical entry direction	

Dimensions → Page on and after 148 (Single Unit)

Other Special Options

Electrical Options (Special voltage, With light, Without DIN connector)

VXD2 **3** **0** **A** **Z** **1A**

Enter standard product number.

Electrical option

Electrical specification/Voltage/Electrical entry

Specification	Symbol	Class H*	Voltage	Electrical entry
Special voltage	1A	●	48 VAC	Grommet (With surge voltage suppressor)
	1B	●	220 VAC	
	1C	●	240 VAC	
	1U	●	24 VAC	Grommet (With surge voltage suppressor)
	1D	—	12 VDC	
	1E	—	12 VDC	
	1F	●	48 VAC	DIN terminal (With surge voltage suppressor)
	1G	●	220 VAC	
	1H	●	240 VAC	
	1V	●	24 VAC	
	1J	—	12 VDC	
	1K	●	48 VAC	Conduit terminal (With surge voltage suppressor)
	1L	●	220 VAC	
	1M	●	240 VAC	
	1W	●	24 VAC	
	1N	—	12 VDC	
	1P	●	48 VAC	Conduit (With surge voltage suppressor)
	1Q	●	220 VAC	
1R	●	240 VAC		
1Y	●	24 VAC		
1S	—	12 VDC		
1T	—	12 VDC	Flat terminal	

Specification	Symbol	Class H*	Voltage	Electrical entry
With light	2A	●	24 VDC	DIN terminal (With surge voltage suppressor)
	2B	●	100 VAC	
	2C	●	110 VAC	
	2D	●	200 VAC	
	2E	●	230 VAC	
	2F	●	48 VAC	
	2G	●	220 VAC	Conduit terminal (With surge voltage suppressor)
	2H	●	240 VAC	
	2V	●	24 VAC	
	2J	—	12 VDC	
	2K	—	24 VDC	
	2L	●	100 VAC	
	2M	●	110 VAC	
	2N	●	200 VAC	
	2P	●	230 VAC	
	2Q	●	48 VAC	
	2R	●	220 VAC	
	2S	●	240 VAC	
2W	●	24 VAC		
2T	—	12 VDC		

Specification	Symbol	Class H*	Voltage	Electrical entry
Without DIN connector	3A	—	24 VDC	DIN terminal (With surge voltage suppressor)
	3B	—	100 VAC	
	3C	—	110 VAC	
	3D	—	200 VAC	
	3E	—	230 VAC	
	3F	—	48 VAC	
	3G	—	220 VAC	
	3H	—	240 VAC	
	3V	—	24 VAC	
	3J	—	12 VDC	

* Options marked with ● are available for Class "H" coil.
Applicable for all when the coil insulation class is Class "B".

Other Options (Low concentration ozone resistant and applicable to deionized water, Oil-free, Port thread)

VXD2 **3** **0** **A** **A** **Z**

Enter standard product number.

Other option (Low concentration ozone resistant and applicable to deionized water/Oil-free/Port thread)

Symbol	Low concentration ozone resistant and applicable to deionized water ^{*1, *4} (Seal material: FKM)	Oil-free	Port thread ^{*3}
Nil	—	—	Rc, With One-touch fitting ^{*2}
A	—	—	G ^{*5}
B	—	—	NPT
C	○	—	Rc, With One-touch fitting ^{*2}
D	—	○	G ^{*5}
E	—	○	NPT
F	○	—	G ^{*5}
G	○	—	NPT
H	—	○	Rc, With One-touch fitting ^{*2}
K	○	○	G ^{*5}
L	—	○	NPT
Z	—	○	Rc, With One-touch fitting ^{*2}

*1 Applicable to air (VXD2□0) and water (VXD2□2).

*2 One-touch fittings are attached to the resin body type.

*3 Only flange type is available for 32A to 50A.

Rc, G, and NPT cannot be selected.

*4 When using deionized water or any other fluid that may corrode C37 (brass), select a stainless steel body.

*5 For connection, prepare a fitting compliant with ISO 16030 and JIS B 8674.

Made to Order

<Special lead wire length>

Produced upon receipt of order.

VXD XL

Lead wire length

XL1	600 mm
XL2	1000 mm
XL3	1500 mm
XL4	3000 mm

* Enter symbols in the order below when ordering a combination of electrical option, other option, etc.

Example) VXD2 **3** **2** **A** **Z** **1A** **Z**

Electrical option
Other option

VX2

VXK

VXD

VXZ

VXS

VXB

VXE

VXP

VXR

VXH

VXF

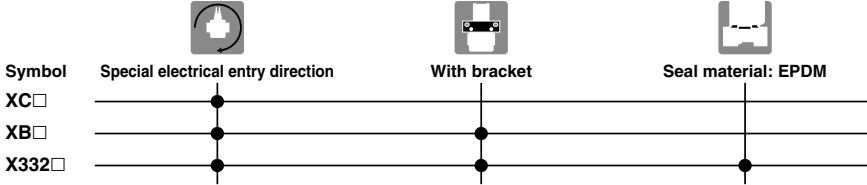
VX3

VXA

Installation Options (Special Electrical Entry Direction/Mounting Option)

The following shows combinations that can be selected using installation options.

Combinations



Special Electrical Entry Direction

VXD2□□□□XC**A**

Enter standard product number. ●

Special electrical entry direction ●

Symbol	VXD2 _A ³ to VXD2 _B ⁶	VXD2 _E to VXD2 _G ³
A	90° 	90°
B	180° 	180°
C	270° 	270°

* For the VXD2_E to VXD2_G³, only grommet and flat terminal types are applicable.



With Bracket/Special Electrical Entry Direction

VXD2□□□□XB**A**

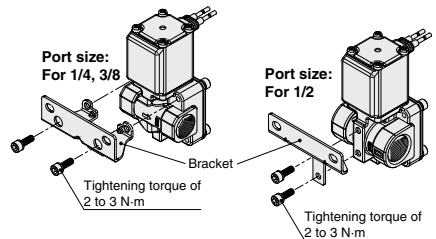
Enter standard product number. ●

With bracket/Special electrical entry direction ●

Symbol	Standard VXD2 _A to VXD2 _B ⁶	VXD2 _B to VXD2 _C ⁶
Nil	Standard 	180°
A	90° 	270°

- *1 Available for the VXD2_A³ to 2_B⁶.
- *2 Bracket is attached as standard with the resin body type (VXD2_{A0E}^D□), so it is not necessary to add XB to the part number.
- *3 The bracket for aluminum, C37 and stainless steel body type of the VXD23 is shipped together with the product, but not assembled. (Refer to the figure below for mounting.)
In addition, the bracket can be retrofitted.
Refer to "Replacement Parts" on page 155 for individual part numbers.

VXD2_A³□ Bracket mounting dimensions



* Enter symbols in the order below when ordering a combination of electrical option, other option, etc.

Example) VXD2 **3** **2** **A** **Z** **1A** **Z** **XB** **A**



Installation Options
(Special Electrical Entry Direction/Mounting Option)



VXD2 0 2 **X332**

Enter standard product number.

EPDM specification

With bracket/Special electrical entry direction

Symbol	Specifications	
	Electrical entry direction	Bracket
Nil	Standard	None
A	90°	
B	180°	
C	270°	
D	Standard	With bracket*1
E	90°	
F	180°	
F	180°	
G	270°	

*1 Not available for the VXD2_A³ (resin body type) and the VXD2_E to VXD2_G.

*2 "Other options" (refer to page 20), which can be combined, are Nil, A, B, D, E, Z (Oil-free, G thread specifications, NPT thread specifications).

*3 Available for air and water.

Electrical entry direction

Symbol	VXD2 _A ³ to VXD2 _G	Symbol	VXD2 _A ³ to VXD2 _G
Nil D	Standard 	A E	90°
B F	180° 	C G	270°

* Enter symbols in the order below when ordering a combination of electrical option, other option, seal material: EPDM, with bracket, mounting holes on the bottom side of the body and special electrical entry direction.

Example) **VXD2** 3 2 A Z 1A Z **X332** A

Electrical option

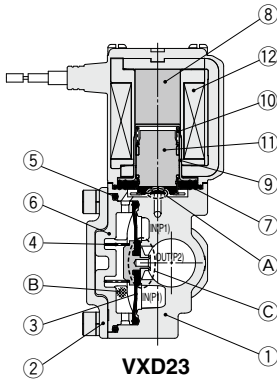
Other option

Seal material: EPDM/
With bracket/
Special electrical entry direction

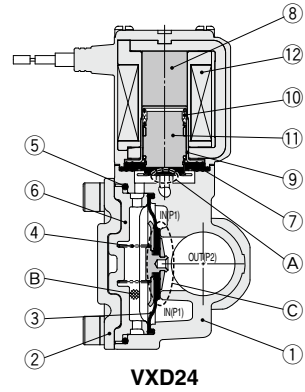
- VX2
- VXK
- VXD**
- VXZ
- VXS
- VXB
- VXE
- VXP
- VXR
- VXH
- VXF
- VX3
- VXA

VXD Series Construction

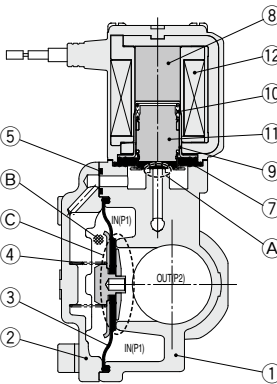
Normally Closed (N.C.)



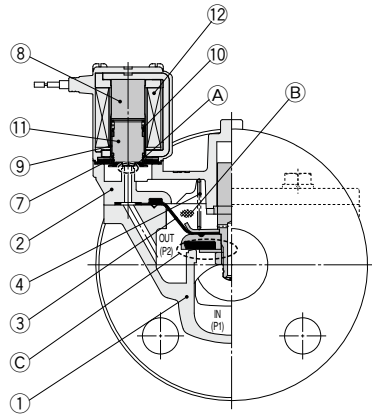
VXD23



VXD24



VXD25, 26



VXD27, 28, 29

Component Parts

No.	Description	Model	Material
1	Body	VXD23	C37, Stainless steel, Aluminum, Resin (PBT)
		VXD24 to 26	C37, Stainless steel
		VXD27 to 29	CAC408
		VXD23, 24	Stainless steel
2	Bonnet	VXD25, 26	C37, Stainless steel
		VXD27 to 29	CAC408
		VXD23 to 29	Stainless steel, NBR, FKM, EPDM
3	Diaphragm assembly	VXD23 to 29	Stainless steel, NBR, FKM, EPDM
4	Spring	VXD23 to 29	Stainless steel
5	O-ring	VXD23 to 26	NBR, FKM, EPDM
6	Buffer	VXD23, 24	PPS
7	Stopper		NBR, FKM, EPDM
8	Core		Fe
9	Tube		Stainless steel
10	Spring	VXD23 to 29	Stainless steel
11	Armature assembly		Stainless steel, NBR, FKM, EPDM, Resin (PPS)
12	Solenoid coil		Cu + Fe + Resin

Operation

<Valve open>

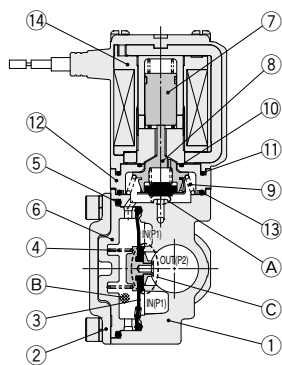
When coil ⑫ is energized, armature assembly ⑪ is attracted by core ⑧ and pilot valve ⑨ is open.

When ⑨ is open, the pressure in pressure chamber ③ is reduced and main valve ① is open.

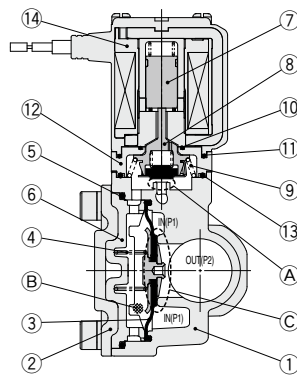
<Valve closed>

When coil ⑫ is de-energized, pilot valve ⑨ is closed, pressure in pressure chamber ③ increases, and main valve ① is closed.

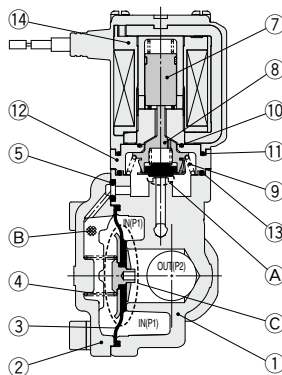
Normally Open (N.O.)



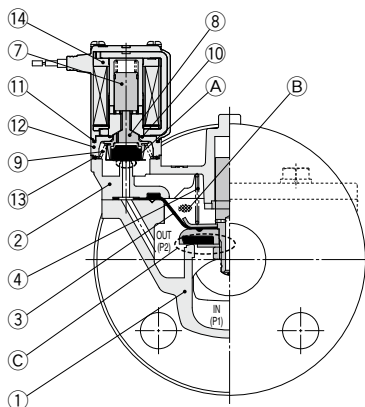
VXD2A



VXD2B



VXD2C, 2D



VXD2E, 2F, 2G

VX2
VXK
VXD
VXZ
VXS
VXB
VXE
VXP
VXR
VXH
VXF
VX3
VXA

Component Parts

No.	Description	Model	Material
1	Body	VXD2A	C37, Stainless steel, Aluminum, Resin (PBT)
		VXD2B to 2D	C37, Stainless steel
		VXD2E to 2G	CAC408
		VXD2A, 2B	Stainless steel
2	Bonnet	VXD2A to 2G	C37, Stainless steel
		VXD2E to 2G	CAC408
3	Diaphragm assembly	VXD2A to 2G	Stainless steel, NBR, FKM, EPDM
4	Spring	VXD2A to 2G	Stainless steel
5	O-ring	VXD2A to 2D	NBR, FKM, EPDM
6	Buffer	VXD2A, 2B	PPS
7	Sleeve assembly		Stainless steel, Resin (PPS)
8	Push rod assembly		Resin (PPS), Stainless steel, NBR, FKM, EPDM
9	Stopper		Stainless steel
10	O-ring A	VXD2A to 2G	NBR, FKM, EPDM
11	O-ring B		NBR, FKM, EPDM
12	Adapter		Resin (PPS)
13	O-ring C		NBR, FKM, EPDM
14	Solenoid coil		Cu + Fe + Resin

Operation

<Valve closed>

When coil (14) is energized, (already open) pilot valve (A) is closed, pressure in pressure chamber (B) increases, and main valve (C) is closed.

<Valve open>

When coil (14) is de-energized, (already closed) pilot valve (A) is open, pressure in pressure chamber (B) decreases, and main valve (C) is open.

VXD Series

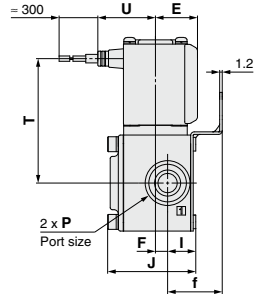
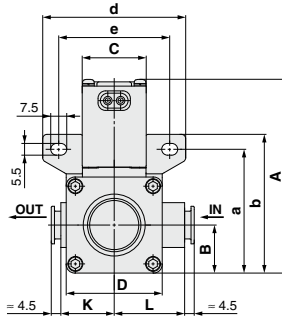


For Air

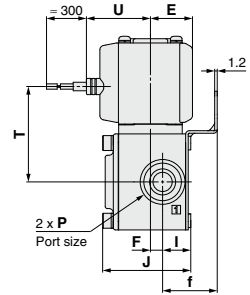
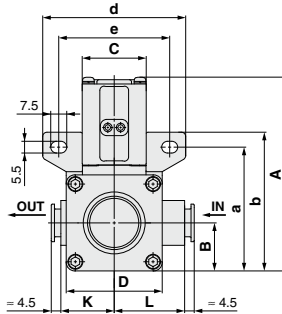
For information on handling One-touch fittings and on appropriate tubing, refer to page 167 and the Fittings & Tubing section of the "Handling Precautions for SMC Products" on the SMC website.

Dimensions/VXD³_A Body Material: Resin (ø10, ø3/8", ø12)

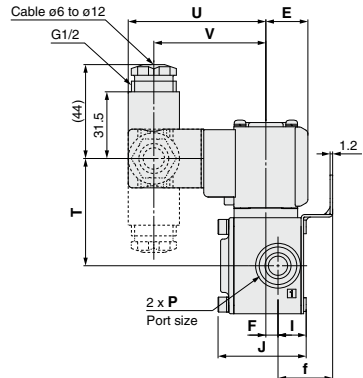
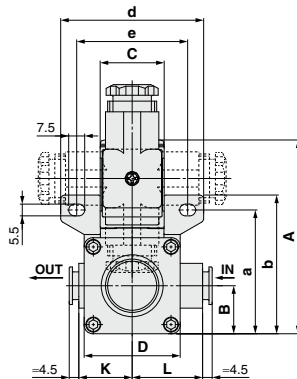
Grommet



Grommet (with surge voltage suppressor)



DIN terminal



Model	One-touch fitting P											Electrical entry						
		A	B	C	D	E	F	I	J	K	L	Grommet		Grommet (with surge voltage suppressor)		DIN terminal		
		T	U	T	U	T	U	V										
VXD2 ³ _A	ø10, ø3/8", ø12	91 (97)	22.5	30	45	20	6	13.5	41.5	25	33	58.5 (64.5)	27	45 (50.5)	30	50.5 (56)	64.5	52.5

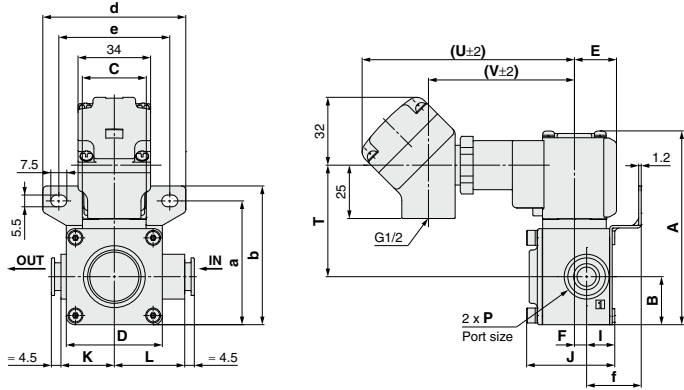
Model	One-touch fitting P	Mounting bracket dimensions				
		a	b	d	e	f
VXD2 ³ _A	ø10, ø3/8", ø12	58	65	67	52	25.5

(): Denotes the Normally Open (N.O.) dimensions.

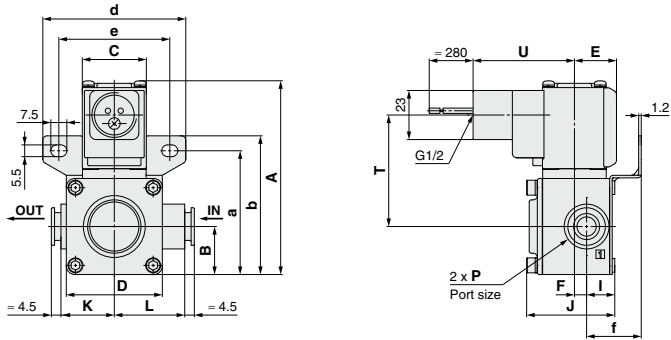


Dimensions/VXD2³A Body Material: Resin (ø10, ø3/8", ø12)

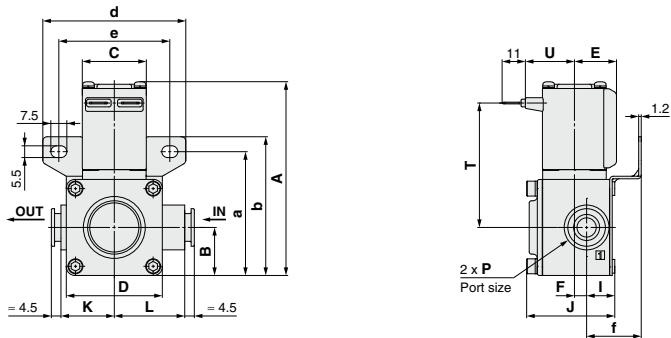
Conduit terminal



Conduit



Flat terminal



Model	One-touch fitting P												Electrical entry					
		A	B	C	D	E	F	I	J	K	L	Conduit terminal			Conduit		Flat terminal	
		T	U	V	T	U	T	U										
VXD2 ³ A	ø10, ø3/8", ø12	91 (97)	22.5	30	45	20	6	13.5	41.5	25	33	52.5 (58)	99.5	68.5	52.5 (58)	47.5	58.5 (64.5)	23

Model	One-touch fitting P	Mounting bracket dimensions				
		a	b	d	e	f
VXD2 ³ A	ø10, ø3/8", ø12	58	65	67	52	25.5

(): Denotes the Normally Open (N.O.) dimensions.

- VX2
- VXK
- VXD**
- VXZ
- VXS
- VXB
- VXE
- VXP
- VXR
- VXH
- VXF
- VX3
- VXA

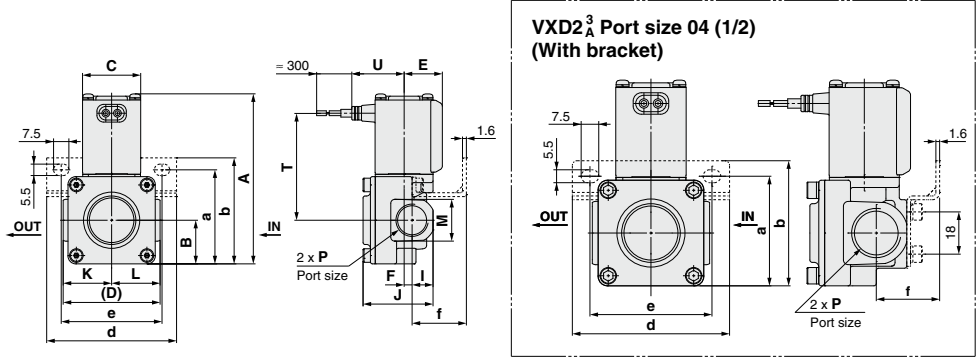
VXD Series



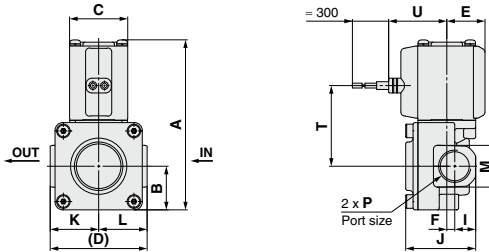
For Air/Water/Oil

Dimensions/VXD_{2A}³ Body Material: Aluminum, C37, Stainless Steel

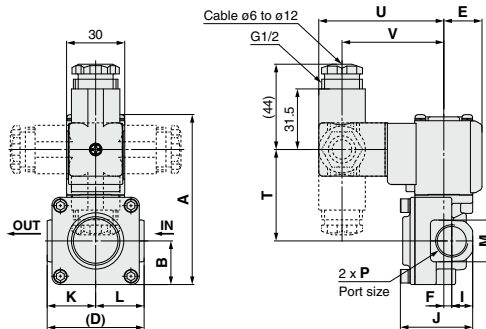
Grommet



Grommet (with surge voltage suppressor)



DIN terminal



(mm)

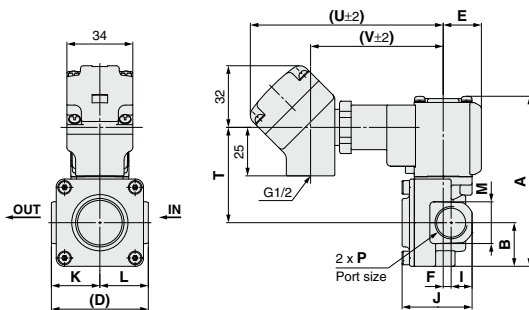
Model	Port size P	A	B	C	D	E	F	I	J	K	L	M		Electrical entry					
												C37, Stainless steel body	Aluminum body type	Grommet		Grommet (with surge voltage suppressor)		DIN terminal	
												T	U	T	U	T	U	V	
VXD _{2A} ³	1/4, 3/8	88	22.5	30	50	20	4.5	11	37.5	25	25	22	24	55.5	42	47.5	64.5	52.5	
	1/2	(93.5)					5	13	42.5		27	30	(61)	27	(47.5)	30	(53)		
Model	Port size P	Mounting bracket dimensions																	
VXD _{2A} ³	1/4, 3/8	a	b	d	e	f													
	1/2	48.5	55	67	52	28													
		47	53.5			27													

(): Denotes the Normally Open (N.O.) dimensions.
Aluminum body is for air. Refer to page 118 for details.

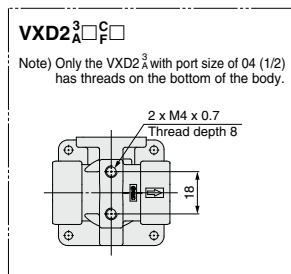
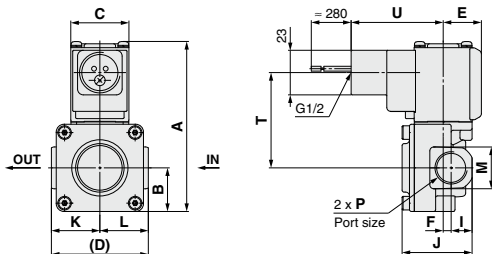


Dimensions/VXD2³_A Body Material: Aluminum, C37, Stainless Steel

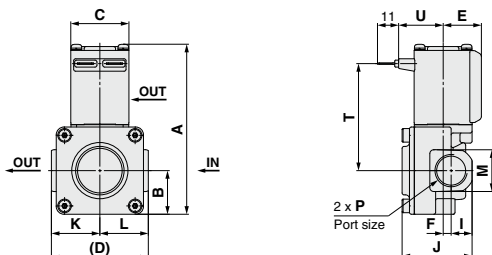
Conduit terminal



Conduit



Flat terminal



Model	Port size P	A	B	C	D	E	F	I	J	K	L	(mm)								
												M		Electrical entry				Flat terminal		
												C37, Stainless steel body	Aluminum body	Conduit terminal		Conduit		Flat terminal		
T	U	V	T	U	T	U														
VXD2 ³ _A	1/4, 3/8	88	22.5	30	50	20	4.5	11	37.5	25	25	22	24	49.5	99.5	68.5	49.5	47.5	55.5	23
	1/2	(93.5)					5	13	42.5			27	30	(55)			(55)	(61)		

(): Denotes the Normally Open (N.O.) dimensions.
Aluminum body is for air. Refer to page 118 for details.

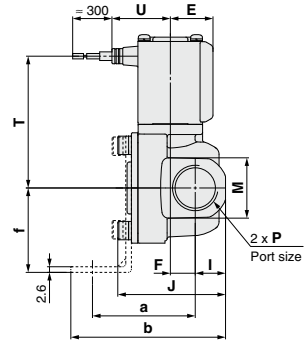
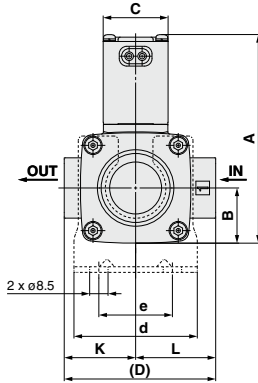
VXD Series



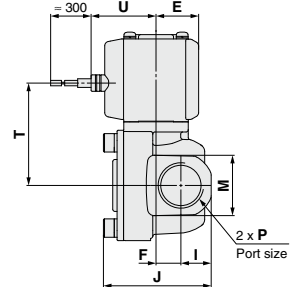
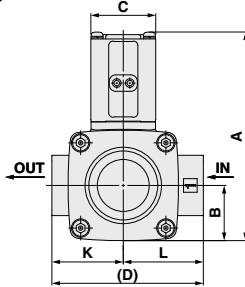
For Air/Water/Oil

Dimensions/VXD2_B⁴ Body Material: C37, Stainless Steel

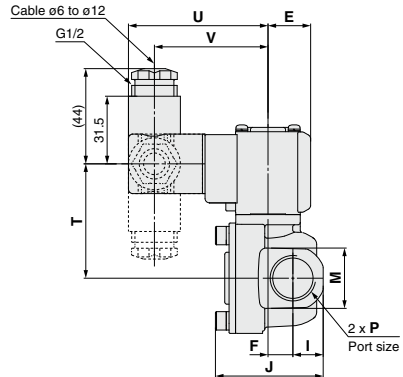
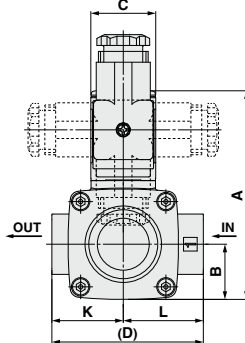
Grommet



Grommet (with surge voltage suppressor)



DIN terminal



(mm)

Model	Port size P	A	B	C	D	E	F	I	J	K	L	M	Electrical entry						
													Grommet		Grommet (with surge voltage suppressor)		DIN terminal		
													T	U	T	U	T	U	V
VXD2 _B ⁴	3/8, 1/2	96.5 (102.5)	25.5	30	70	20	11.5	14	50	33	37	28	61 (67)	27	47.5 (53.5)	30	53 (59)	64.5	52.5

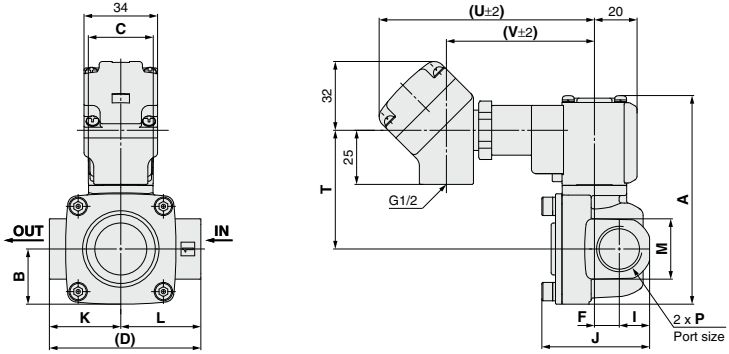
Model	Port size P	Mounting bracket dimensions				
		a	b	d	e	f
VXD2 _B ⁴	3/8, 1/2	47.5	71.5	57	34	39

(): Denotes the Normally Open (N.O.) dimensions.

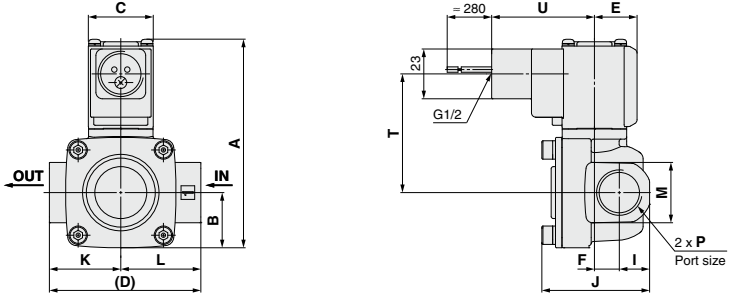


Dimensions/VXD2_B⁴ Body Material: C37, Stainless Steel

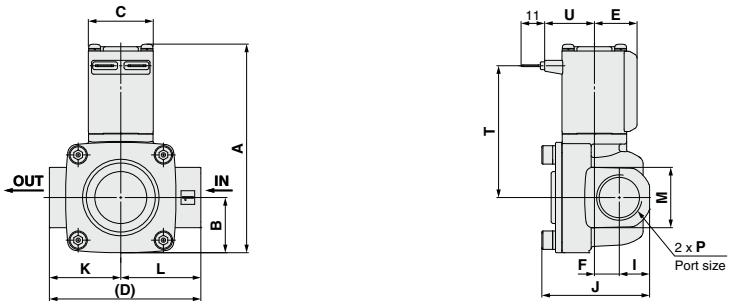
Conduit terminal



Conduit



Flat terminal



- VX2
- VXK
- VXD**
- VXZ
- VXS
- VXB
- VXE
- VXP
- VXR
- VXH
- VXF
- VX3
- VXA

Model	Port size P												Electrical entry (mm)						
		A	B	C	D	E	F	I	J	K	L	M	Conduit terminal		Conduit		Flat terminal		
													T	U	V	T	U	T	U
VXD2 _B ⁴	3/8, 1/2	96.5 (102.5)	25.5	30	70	20	11.5	14	50	33	37	28	55 (61)	99.5	68.5	55 (61)	47.5	61 (67)	23

(): Denotes the Normally Open (N.O.) dimensions.

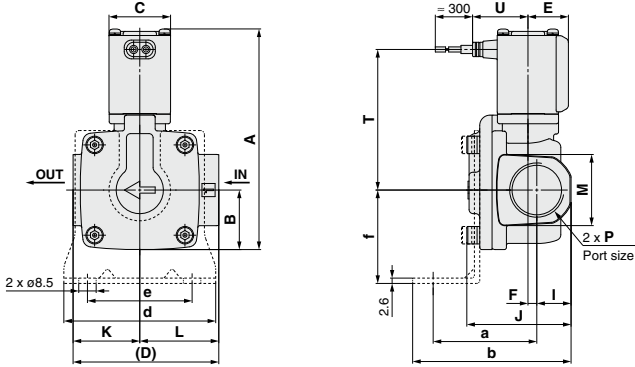
VXD Series



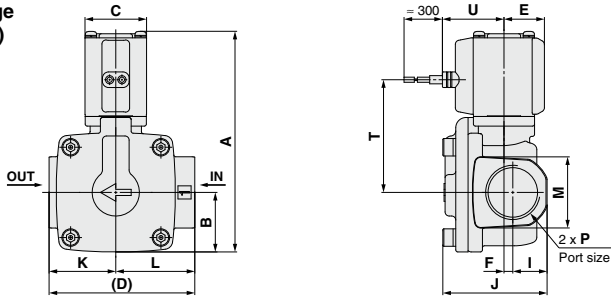
For Air/Water/Oil

Dimensions/VXD_{2C}⁵/VXD_{2D}⁶ Body Material: C37, Stainless Steel

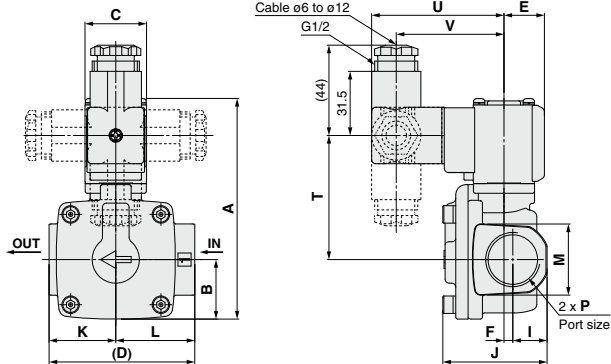
Grommet



Grommet (with surge voltage suppressor)



DIN terminal



(mm)

Model	Port size P	A	B	C	D	E	F	I	J	K	L	M	Electrical entry								
													Grommet			Grommet (with surge voltage suppressor)			DIN terminal		
													T	U	V	T	U	V	T	U	V
VXD _{2C} ⁵	3/4	107.5 (113.5)	29	30	71	20	4.5	17	51	32.5	38.5	35	68.5 (74.5)	27	55 (61)	30	60.5 (66.5)	64.5	52.5		
VXD _{2D} ⁶	1	126.5 (134.5)	33	35	95	22	4.5	20	59.5	45.5	49.5	42	82.5 (90.5)	29.5	69 (77)	32.5	74.5 (82.5)	67	55		

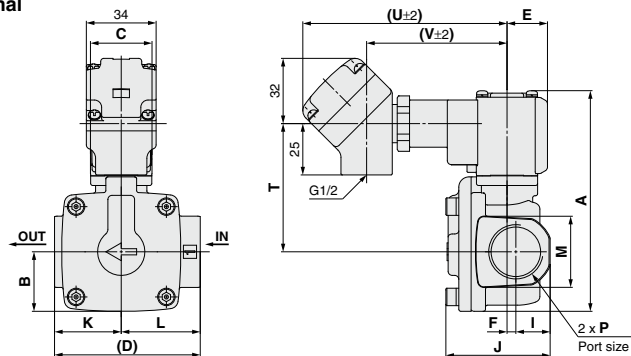
Model	Port size P	Mounting bracket dimensions				
		a	b	d	e	f
VXD _{2C} ⁵	3/4	50.5	77.5	74	51	45.5
VXD _{2D} ⁶	1	55.5	85.5	81	58	49.5

(): Denotes the Normally Open (N.O.) dimensions.

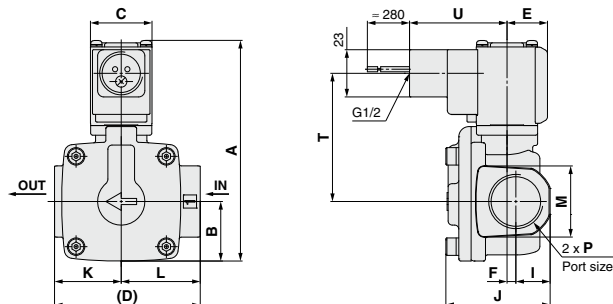


Dimensions/VXD2⁵C/2⁶D Body Material: C37, Stainless Steel

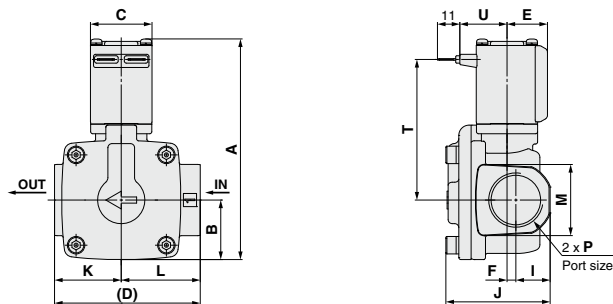
Conduit terminal



Conduit



Flat terminal



(mm)

Model	Port size P	A	B	C	D	E	F	I	J	K	L	M	Electrical entry						
													Conduit terminal			Conduit		Flat terminal	
													T	U	V	T	U	T	U
VXD2 ⁵ C	3/4	107.5 (113.5)	29	30	71	20	4.5	17	51	32.5	38.5	35	62.5 (68.5)	99.5	68.5	62.5 (68.5)	47.5	68.5 (74.5)	23
VXD2 ⁶ D	1	126.5 (134.5)	33	35	95	22	4.5	20	59.5	45.5	49.5	42	76.5 (84.5)	102	71	76.5 (84.5)	50	82.5 (90.5)	25.5

Model	Port size P	Mounting bracket dimensions				
		a	b	d	e	f
VXD2 ⁵ C	3/4	50.5	77.5	74	51	45.5
VXD2 ⁶ D	1	55.5	85.5	81	58	49.5

(): Denotes the Normally Open (N.O.) dimensions.

- VX2
- VXK
- VXD**
- VXZ
- VXS
- VXB
- VXE
- VXP
- VXR
- VXH
- VXF
- VX3
- VXA

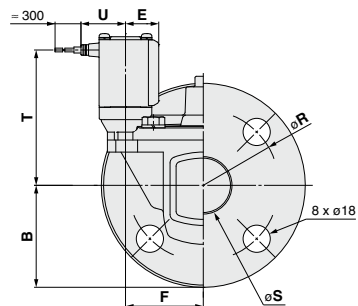
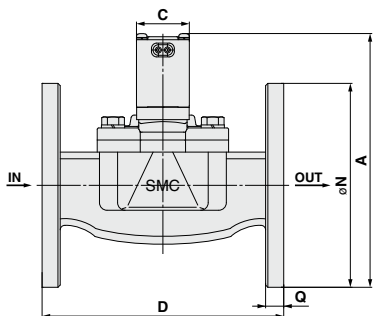
VXD Series



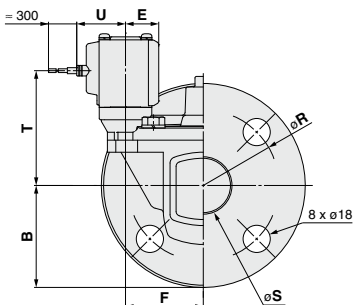
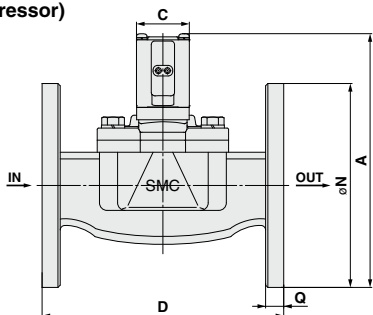
For Air/Water/Oil

Dimensions/VXD_{2E}⁷/2_F⁸/2_G⁹ Body Material: CAC408

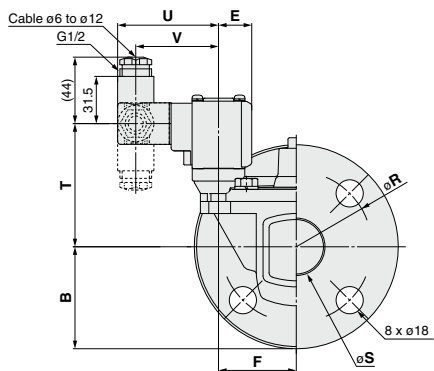
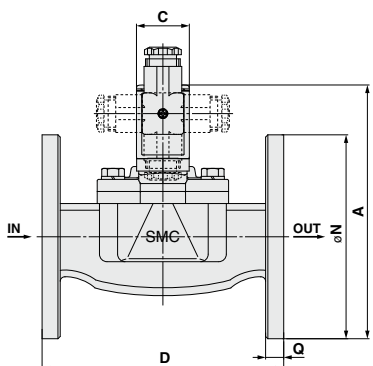
Grommet



Grommet (with surge voltage suppressor)



DIN terminal



(mm)

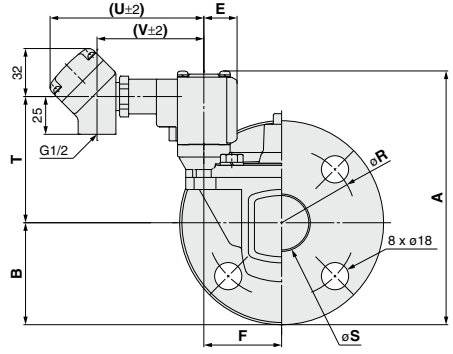
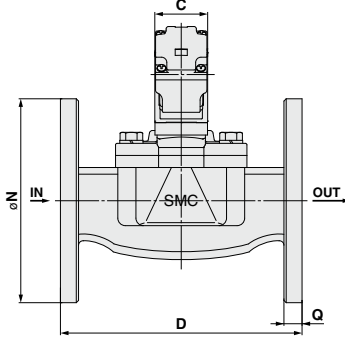
Model	Applicable flange	A	B	C	D	E	F	N	Q	R	S	Electrical entry						
												Grommet		Grommet (with surge voltage suppressor)		DIN terminal		
												T	U	T	U	T	U	V
VXD _{2E} ⁷	32A	168 (176)	67.5	35	160	22	51.5	135	12	100	36	90 (98)	29.5	76 (84)	32.5	82 (90)	67	55
VXD _{2F} ⁸	40A	179.5 (187.5)	70	40	170	24.5	54.5	140	14	105	42	98.5 (106.5)	32	85 (93)	35	90.5 (98.5)	69.5	57.5
VXD _{2G} ⁹	50A	192.5 (200.5)	77.5	40	180	24.5	59	155	14	120	52	104 (112)	32	90.5 (98.5)	35	96 (104)	69.5	57.5

(): Denotes the Normally Open (N.O.) dimensions.

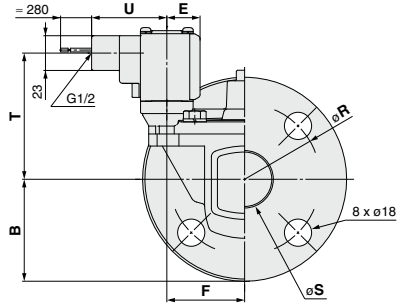
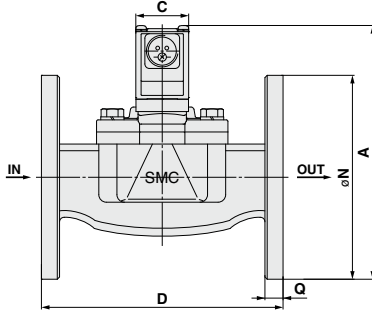


Dimensions/VXD_E⁷/2_F⁸/2_G⁹ Body Material: CAC408

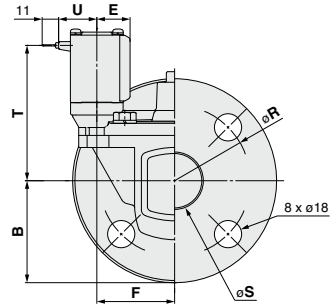
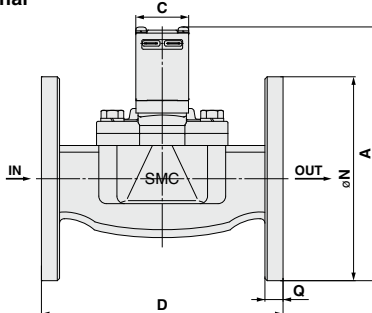
Conduit terminal



Conduit



Flat terminal



Model	Applicable flange	A	B	C	D	E	F	N	Q	R	S	(mm)						
												Electrical entry						
												Conduit terminal			Conduit		Flat terminal	
T	U	V	T	U	T	U												
VXD _E ⁷	32A	168 (176)	67.5	35	160	22	51.5	135	12	100	36	84 (92)	102	71	84 (92)	50	90 (98)	25.5
VXD _F ⁸	40A	179.5 (187.5)	70	40	170	24.5	54.5	140	14	105	42	92.5 (100.5)	104.5	73.5	92.5 (100.5)	52.5	98.5 (106.5)	28
VXD _G ⁹	50A	192.5 (200.5)	77.5	40	180	24.5	59	155	14	120	52	98 (106)	104.5	73.5	98 (106)	52.5	104 (112)	28

(): Denotes the Normally Open (N.O.) dimensions.

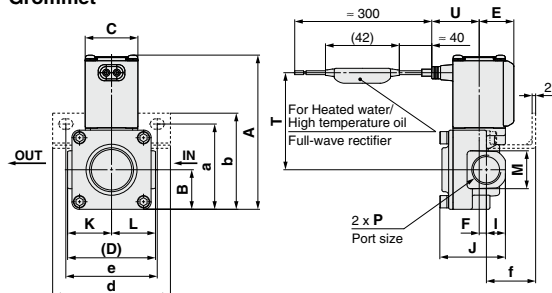
VXD Series



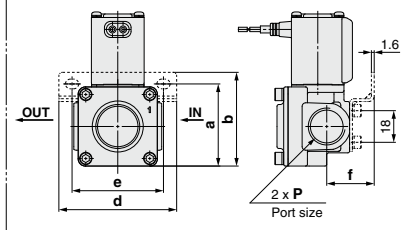
For Heated water/High temperature oil

Dimensions/VXD2³_A Body Material: C37, Stainless Steel (1/4, 3/8, 1/2)

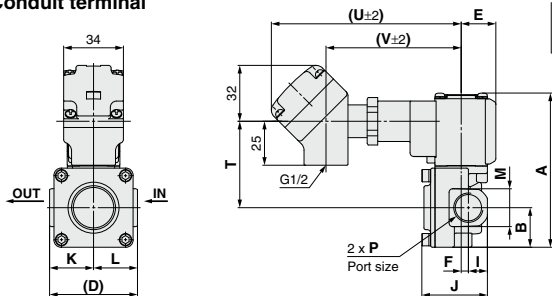
Grommet



VXD2³_A Port size 04 (1/2) (With bracket)

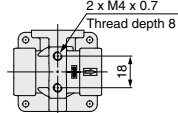


Conduit terminal

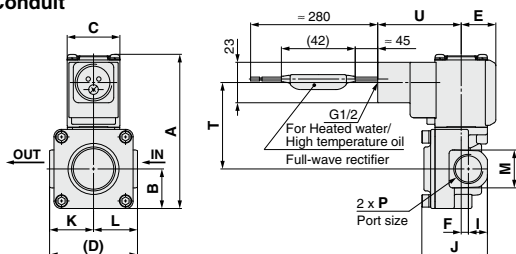


VXD2³_A □ □ □ □

Note) Only the VXD2³ with port size of 04 (1/2) has threads on the bottom of the body.



Conduit



Model	Port size P												Electrical entry (mm)						
		A	B	C	D	E	F	I	J	K	L	M	Grommet		Conduit terminal		Conduit		
													T	U	T	U	V	T	U
VXD2 ³ _A	1/4, 3/8 1/2	88 (93.5)	22.5	30	50	20	4.5 5	11 13	37.5 42.5	25	25	22 27	55.5 (61)	27	49.5 (55)	108	77	49.5 (55)	47.5

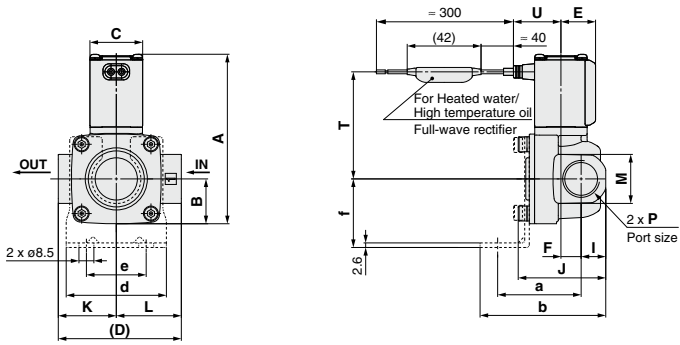
Model	Port size P	Mounting bracket dimensions				
		a	b	d	e	f
VXD2 ³ _A	1/4, 3/8	48.5	55	67	52	28
	1/2	47	53.5			27

(): Denotes the Normally Open (N.O.) dimensions.

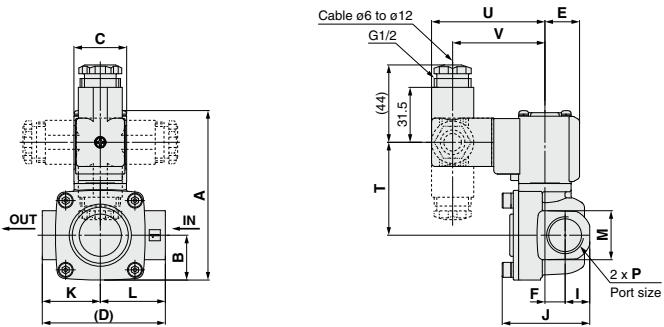


Dimensions/VXD_{2B}⁴ Body Material: C37, Stainless Steel

Grommet



DIN terminal



- VX2
- VXK
- VXD**
- VXZ
- VXS
- VXB
- VXE
- VXP
- VXR
- VXH
- VXF
- VX3
- VXA

Model	Port size P	A	B	C	D	E	F	I	J	K	L	M	(mm)				
													Electrical entry				
													Grommet		DIN terminal		
T	U	T	U	V													
VXD _{2B} ⁴	3/8, 1/2	96.5 (102.5)	25.5	30	70	20	11.5	14	50	33	37	28	61 (67)	27	53 (59)	64.5	52.5
Model	Port size P	Mounting bracket dimensions															
		a	b	d	e	f											
VXD _{2B} ⁴	3/8, 1/2	47.5	71.5	57	34	39											

(): Denotes the Normally Open (N.O.) dimensions.

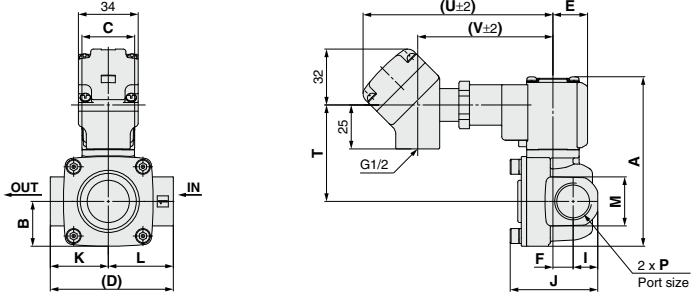
VXD Series



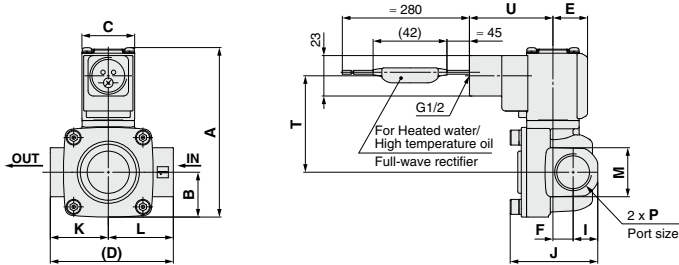
For Heated water/High temperature oil

Dimensions/VXD2_B⁴ Body Material: C37, Stainless Steel

Conduit terminal



Conduit



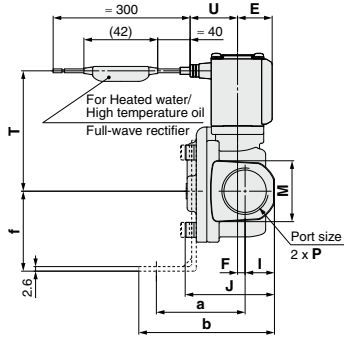
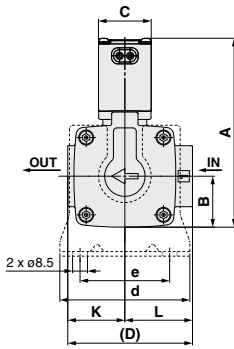
Model	Port size P	A	B	C	D	E	F	I	J	K	L	M	(mm)				
													Electrical entry				
													Conduit terminal			Conduit	
T	U	V	T	U													
VXD2 _B ⁴	3/8, 1/2	96.5 (102.5)	25.5	30	70	20	11.5	14	50	33	37	28	55 (61)	108	77	55 (61)	47.5

(): Denotes the Normally Open (N.O.) dimensions.

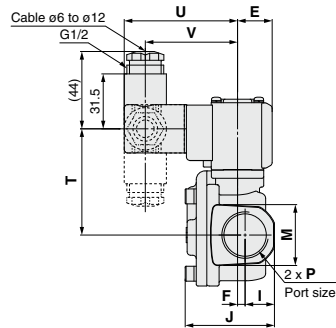
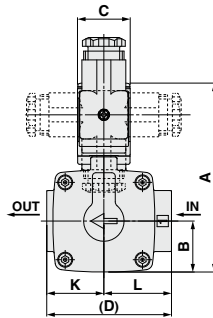


Dimensions/VXD2⁵C/2⁶D Body Material: C37, Stainless Steel

Grommet



DIN terminal



- VX2
- VXK
- VXD**
- VXZ
- VXS
- VXB
- VXE
- VXP
- VXR
- VXH
- VXF
- VX3
- VXA

Model	Port size P	A	B	C	D	E	F	I	J	K	L	M	(mm)				
													Electrical entry				
													Grommet		DIN terminal		
T	U	T	U	V													
VXD2 ⁵ C	3/4	107.5 (113.5)	29	30	71	20	4.5	17	51	32.5	38.5	35	68.5 (74.5)	27	60.5 (66.5)	64.5	52.5
VXD2 ⁶ D	1	126.5 (134.5)	33	35	95	22	4.5	20	59.5	45.5	49.5	42	82.5 (90.5)	29.5	74.5 (82.5)	67	55

Model	Port size P	Mounting bracket dimensions				
		a	b	d	e	f
VXD2 ⁵ C	3/4	50.5	77.5	74	51	45.5
VXD2 ⁶ D	1	55.5	85.5	81	58	49.5

(): Denotes the Normally Open (N.O.) dimensions.

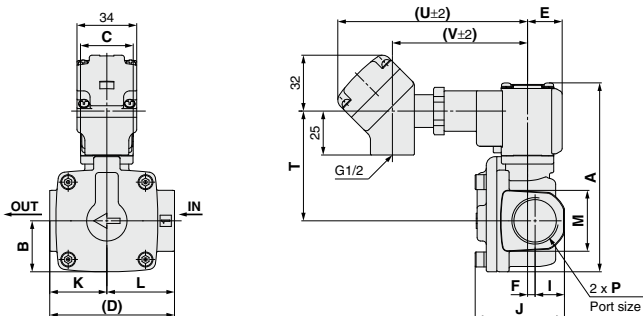
VXD Series



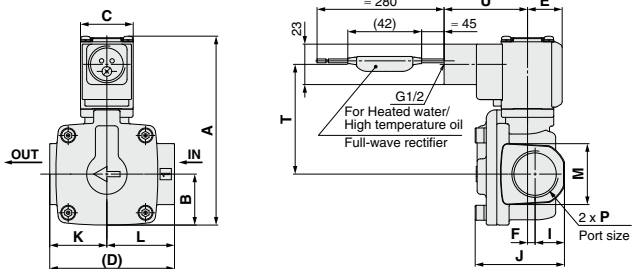
For Heated water/High temperature oil

Dimensions/VXD_{2C}⁵/2_D⁶ Body Material: C37, Stainless Steel

Conduit terminal



Conduit



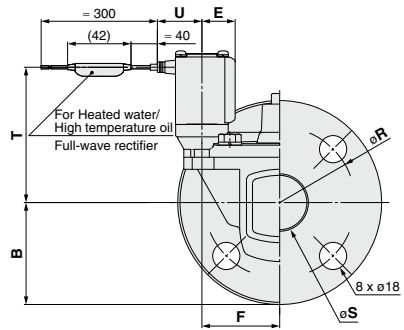
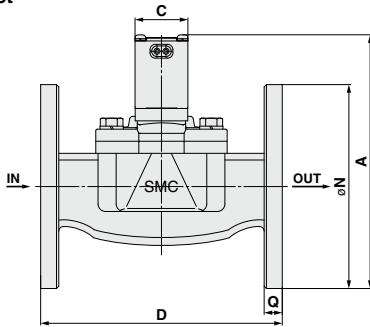
Model	Port size P	A	B	C	D	E	F	I	J	K	L	M	(mm)				
													Electrical entry				
													Conduit terminal		Conduit		
T	U	V	T	U													
VXD _{2C} ⁵	3/4	107.5 (113.5)	29	30	71	20	4.5	17	51	32.5	38.5	35	62.5 (68.5)	108	77	62.5 (68.5)	47.5
VXD _{2D} ⁶	1	126.5 (134.5)	33	35	95	22	4.5	20	59.5	45.5	49.5	42	76.5 (84.5)	110.5	79.5	76.5 (84.5)	50

(): Denotes the Normally Open (N.O.) dimensions.

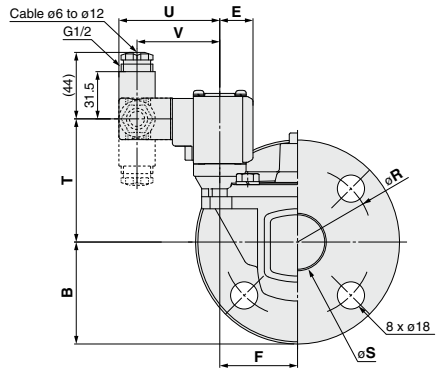
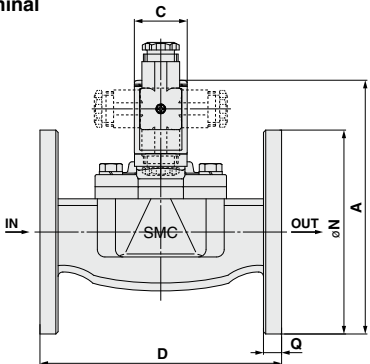


Dimensions/VXD_E⁷/2F⁸/2G⁹ Body Material: CAC408

Grommet



DIN terminal



- VX2
- VXK
- VXD**
- VXZ
- VXS
- VXB
- VXE
- VXP
- VXR
- VXH
- VXF
- VX3
- VXA

Model	Applicable flange	A	B	C	D	E	F	N	Q	R	S	Electrical entry (mm)				
												Grommet		DIN terminal		
												T	U	T	U	V
VXD _E ⁷	32A	168 (176)	67.5	35	160	22	51.5	135	12	100	36	90 (98)	29.5	82 (90)	67	55
VXD _F ⁸	40A	179.5 (187.5)	70	40	170	24.5	54.5	140	14	105	42	98.5 (106.5)	32	90.5 (98.5)	69.5	57.5
VXD _G ⁹	50A	192.5 (200.5)	77.5	40	180	24.5	59	155	14	120	52	104 (112)	32	96 (104)	69.5	57.5

(): Denotes the Normally Open (N.O.) dimensions.

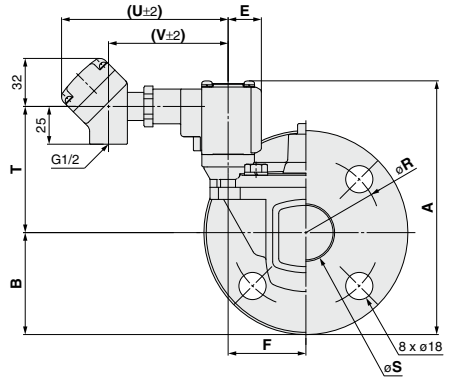
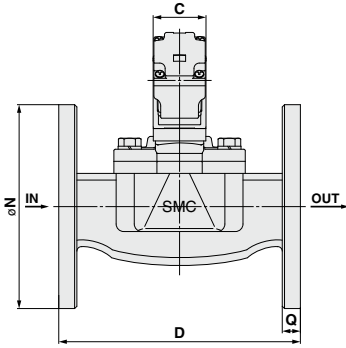
VXD Series



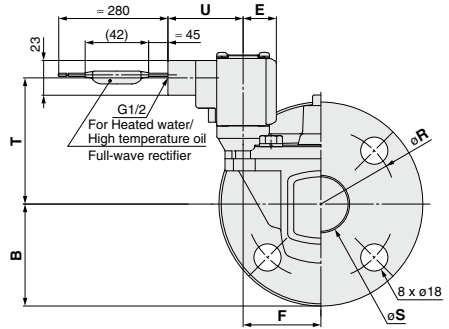
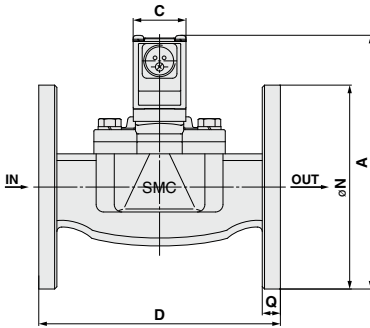
For Heated water/High temperature oil

Dimensions/VXD₂⁷/_E/2⁸/_F/2⁹/_G Body Material: CAC408

Conduit terminal



Conduit



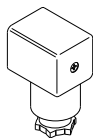
Model	Applicable flange	A	B	C	D	E	F	N	Q	R	S	(mm)				
												Electrical entry				
												Conduit terminal			Conduit	
T	U	V	T	U												
VXD ₂ ⁷ / _E	32A	168 (176)	67.5	35	160	22	51.5	135	12	100	36	84 (92)	110.5	79.5	84 (92)	50
VXD ₂ ⁸ / _F	40A	179.5 (187.5)	70	40	170	24.5	54.5	140	14	105	42	92.5 (100.5)	113	82	92.5 (100.5)	52.5
VXD ₂ ⁹ / _G	50A	192.5 (200.5)	77.5	40	180	24.5	59	155	14	120	52	98 (106)	113	82	98 (106)	52.5

(): Denotes the Normally Open (N.O.) dimensions.



Replacement Parts

• DIN Connector Part No.



<Coil Insulation Type/Class B>		
Electrical option	Rated voltage	Connector part no.
None	24 VDC	3G-GDM2A-G
	12 VDC	
	100 VAC	
	110 VAC	
	200 VAC	
	220 VAC	
	230 VAC	
	240 VAC	
	24 VAC	
	48 VAC	
With light	24 VDC	GDM2A-L5
	12 VDC	GDM2A-L6
	100 VAC	GDM2A-L1
	110 VAC	GDM2A-L1
	200 VAC	GDM2A-L2
	220 VAC	GDM2A-L2
	230 VAC	GDM2A-L2
	240 VAC	GDM2A-L2
	24 VAC	GDM2A-L5
	48 VAC	GDM2A-L15

<Coil Insulation Type/Class H>			
Electrical option	Rated voltage	Connector part no.	
None	24 VDC	GDM2A-G-S5	
	100 VAC	GDM2A-R	
	110 VAC		
	200 VAC		
	220 VAC		
	230 VAC		
	240 VAC		
	24 VAC		
	48 VAC		
	With light		24 VDC
100 VAC			GDM2A-R-L1
110 VAC		GDM2A-R-L1	
200 VAC		GDM2A-R-L2	
220 VAC		GDM2A-R-L2	
230 VAC		GDM2A-R-L2	
240 VAC		GDM2A-R-L2	
24 VAC		GDM2A-R-L5	
48 VAC		GDM2A-R-L5	

VX2
VXK
VXD
VXZ
VXS
VXB
VXE
VXP
VXR
VXH
VXF
VX3
VXA

• Gasket Part No. for DIN Connector

VCW20-1-29-1 (for Class B)

VCW20-1-29-1-F (for Class H)

• Lead Wire Assembly Part No. for Flat Terminal (Set of 2 pcs.)

VX021S-1-16FB

• Bracket Assembly Part No. for the VXD2³_A Metal Body (C37, Stainless steel, Aluminum)

Port size: For 1/4, 3/8

VXD30S-14A-1

Port size: For 1/2

VXD30S-14A-3

* 2 mounting screws (M4 hexagon socket head cap screws) are shipped together with the bracket assembly, but not assembled.

Glossary of Terms

Pressure Terminology

1. Maximum operating pressure differential

The maximum pressure differential (the difference between the inlet and outlet pressure) which is allowed for operation. When the outlet pressure is 0 MPa, this becomes the maximum operating pressure.

2. Minimum operating pressure differential

The minimum pressure differential (the difference between the inlet pressure and outlet pressure) required to keep the main valve fully open.

3. Maximum system pressure

The maximum pressure that can be applied inside the pipelines (line pressure).

[The pressure differential in the solenoid valve portion must be below the maximum operating pressure differential.]

4. Withstand pressure

The pressure in which the valve must be withstood without a drop in performance after holding for one minute under prescribed (static) pressure and returning to the operating pressure range. [value under the prescribed conditions]

Electrical Terminology

1. Apparent power (VA)

Volt-ampere is the product of voltage (V) and current (A).

Power consumption (W): For AC, $W = V \cdot A \cdot \cos\theta$.

For DC, $W = V \cdot A$.

Note) $\cos\theta$ shows power factor. $\cos\theta = 0.9$

2. Surge voltage

A high voltage which is momentarily generated by shutting off the power in the shut-off area.

3. Enclosure

A degree of protection defined in the "JIS C 0920: Waterproof test of electric machinery/appliance and the degree of protection against the intrusion of solid foreign objects."

Verify the degree of protection for each product.



● First Characteristics:

Degrees of protection against solid foreign objects

0	Non-protected
1	Protected against solid foreign objects of 50 mmφ and greater
2	Protected against solid foreign objects of 12 mmφ and greater
3	Protected against solid foreign objects of 2.5 mmφ and greater
4	Protected against solid foreign objects of 1.0 mmφ and greater
5	Dust-protected
6	Dust-tight

Electrical Terminology

● Second Characteristics:

Degrees of protection against water

0	Non-protected	—
1	Protected against vertically falling water drops	Dripproof type 1
2	Protected against vertically falling water drops when enclosure tilted up to 15°	Dripproof type 2
3	Protected against rainfall when enclosure tilted up to 60°	Rainproof type
4	Protected against splashing water	Splashproof type
5	Protected against water jets	Water-jet-proof type
6	Protected against powerful water jets	Powerful water-jet-proof type
7	Protected against the effects of temporary immersion in water	Immersion type
8	Protected against the effects of continuous immersion in water	Submersible type

Example) IP65: Dust-tight, Water-jet-proof type

"Water-jet-proof type" means that no water intrudes inside an equipment that could hinder from operating normally by means of applying water for 3 minutes in the prescribed manner. Take appropriate protection measures, since a device is not usable in an environment where a droplet of water is splashed constantly.

Others

1. Material

NBR: Nitrile rubber

FKM: Fluororubber

EPDM: Ethylene-propylene rubber

2. Oil-free treatment

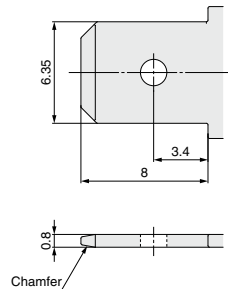
The degreasing and washing of wetted parts

3. Symbol

In the symbol ($\square \square \square \square$), Port 1 (IN) and Port 2 (OUT) are shown in a blocked condition (\oplus), but it is not possible to use the valve in cases of reverse pressure, where the Port 2 pressure is higher than the Port 1 pressure.

Flat Terminal

1. Flat terminal/Electrical connection size of molded coil



Solenoid Valve Flow Rate Characteristics

(How to indicate flow rate characteristics)

1. Indication of flow rate characteristics

The flow rate characteristics in equipment such as a solenoid valve, etc. are indicated in their specifications as shown in Table (1).

Table (1) Indication of Flow Rate Characteristics

Corresponding equipment	Indication by international standard	Other indications	Conformed standard
Pneumatic equipment	<i>C, b</i>	—	ISO 6358: 1989 JIS B 8390: 2000
	—	<i>S</i>	JIS B 8390: 2000 Equipment: JIS B 8379, 8381-1, 8381-2
		<i>Cv</i>	ANSI/(NFPA)T3.21.3 R1-2008
Process fluid control equipment	<i>Kv</i>	—	IEC60534-1: 2005 IEC60534-2-3: 1997 JIS B 2005-1: 2012
	—	<i>Cv</i>	JIS B 2005-2-3: 2004 Equipment: JIS B 8471, 8472, 8473

2. Pneumatic equipment

2.1 Indication according to the international standards

(1) Conformed standard

ISO 6358: 1989 : Pneumatic fluid power—Components using compressible fluids—
Determination of flow rate characteristics

JIS B 8390: 2000 : Pneumatic fluid power—Components using compressible fluids—
How to test flow rate characteristics

(2) Definition of flow rate characteristics

The flow rate characteristics are indicated as a result of a comparison between sonic conductance **C** and critical pressure ratio **b**.

Sonic conductance **C** : Value which divides the passing mass flow rate of an equipment in a choked flow condition by the product of the upstream absolute pressure and the density in a standard condition.

Critical pressure ratio **b** : Pressure ratio (downstream pressure/upstream pressure) which will turn to a choked flow when the value is smaller than this ratio.

Choked flow : The flow in which the upstream pressure is higher than the downstream pressure and where sonic speed in a certain part of an equipment is reached.

Gaseous mass flow rate is in proportion to the upstream pressure and not dependent on the downstream pressure.

Subsonic flow : Flow greater than the critical pressure ratio

Standard condition : Air in a temperature state of 20°C, absolute pressure 0.1 MPa (= 100 kPa = 1 bar), relative humidity 65%.

It is stipulated by adding the “(ANR)” after the unit depicting air volume.

Conformed standard: ISO 8778: 1990 Pneumatic fluid power—Standard reference atmosphere, JIS B 8393: 2000: Pneumatic fluid power—Standard reference atmosphere

(3) Formula for flow rate

It is described by the practical units as following.

When

$$\frac{P_2 + 0.1}{P_1 + 0.1} \leq b, \text{ choked flow}$$

$$Q = 600 \times C (P_1 + 0.1) \sqrt{\frac{293}{273 + T}} \dots\dots\dots(1)$$

When

$$\frac{P_2 + 0.1}{P_1 + 0.1} > b, \text{ subsonic flow}$$

$$Q = 600 \times C (P_1 + 0.1) \sqrt{1 - \left[\frac{P_2 + 0.1}{P_1 + 0.1} - b \right]^2} \sqrt{\frac{293}{273 + T}} \dots\dots\dots(2)$$

- VX2
- VXK
- VXD
- VXZ
- VXS
- VXB
- VXE
- VXP
- VXR
- VXH
- VXF
- VX3
- VXA

Q : Air flow rate [L/min (ANR)]

C : Sonic conductance [$\text{dm}^3/(\text{s}\cdot\text{bar})$], dm^3 (Cubic decimeter) of SI = L (liter).

b : Critical pressure ratio [—]

P₁ : Upstream pressure [MPa]

P₂ : Downstream pressure [MPa]

T : Temperature [°C]

Note) Formula of subsonic flow is the elliptic analogous curve.

Flow rate characteristics are shown in Graph (1) For details, please use the calculation software available from SMC website.

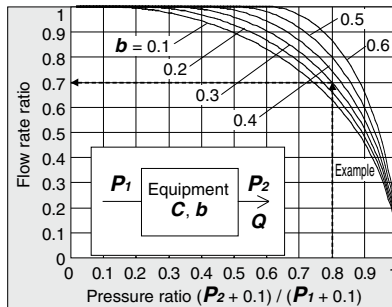
Example)

Obtain the air flow rate for **P₁** = 0.4 [MPa], **P₂** = 0.3 [MPa], **T** = 20 [°C] when a solenoid valve is performed in **C** = 2 [$\text{dm}^3/(\text{s}\cdot\text{bar})$] and **b** = 0.3.

According to formula 1, the maximum flow rate = $600 \times 2 \times (0.4 + 0.1) \times \sqrt{\frac{293}{273 + 20}} = 600$ [L/min (ANR)]

$$\text{Pressure ratio} = \frac{0.3 + 0.1}{0.4 + 0.1} = 0.8$$

Based on Graph (1), it is going to be 0.7 if it is read by the pressure ratio as 0.8 and the flow ratio to be **b** = 0.3. Hence, flow rate = Max. flow x flow ratio = 600 x 0.7 = 420 [L/min (ANR)]



Graph (1) Flow rate characteristics

(4) Test method

Attach a test equipment with the test circuit shown in Fig. (1) while maintaining the upstream pressure to a certain level which does not go below 0.3 MPa. Next, measure the maximum flow to be saturated in the first place, then measure this flow rate at 80%, 60%, 40%, 20% and the upstream and downstream pressure. And then, obtain the sonic conductance **C** from this maximum flow rate. In addition, calculate **b** using each data of others and the subsonic flow formula, and then obtain the critical pressure ratio **b** from that average.

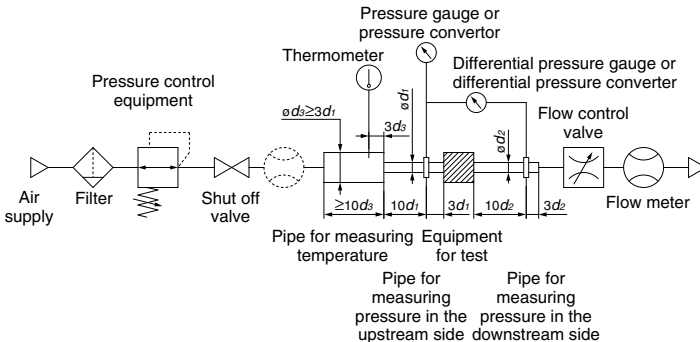


Fig. (1) Test circuit based on ISO 6358: 1989, JIS B 8390: 2000

2.2 Effective area S

(1) Conformed standard

JIS B 8390: 2000: Pneumatic fluid power—Components using compressible fluids—Determination of flow rate characteristics

Equipment standards: JIS B 8373: Solenoid valve for pneumatics

JIS B 8379: Silencer for pneumatics

JIS B 8381-1: Fittings for pneumatics—Part 1: Push-in fittings for thermoplastic resin tubing

JIS B 8381-2: Fittings for pneumatics—Part 2: Compression fittings for thermoplastic resin tubing

(2) Definition of flow rate characteristics

Effective area **S**: The cross-sectional area having an ideal throttle without friction deduced from the calculation of the pressure changes inside an air tank or without reduced flow when discharging the compressed air in a choked flow, from an equipment attached to the air tank. This is the same concept representing the “easy to run through” as sonic conductance **C**.

(3) Formula for flow rate

When

$$\frac{P_2 + 0.1}{P_1 + 0.1} \leq 0.5, \text{ choked flow}$$

$$Q = 120 \times S (P_1 + 0.1) \sqrt{\frac{293}{273 + T}} \dots\dots\dots(3)$$

When

$$\frac{P_2 + 0.1}{P_1 + 0.1} > 0.5, \text{ subsonic flow}$$

$$Q = 240 \times S \sqrt{(P_2 + 0.1) (P_1 - P_2)} \sqrt{\frac{293}{273 + T}} \dots\dots\dots(4)$$

Conversion with sonic conductance **C**:

$$S = 5.0 \times C \dots\dots\dots(5)$$

Q : Air flow rate[L/min(ANR)]

S : Effective area [mm²]

P₁ : Upstream pressure [MPa]

P₂ : Downstream pressure [MPa]

T : Temperature [°C]

Note) Formula for subsonic flow (4) is only applicable when the critical pressure ratio **b** is the unknown equipment. In the formula (2) by the sonic conductance **C**, it is the same formula as when **b** = 0.5.

(4) Test method

Attach a test equipment with the test circuit shown in Fig. (2) in order to discharge air into the atmosphere until the pressure inside the air tank goes down to 0.25 MPa (0.2 MPa) from an air tank filled with the compressed air at a certain pressure level (0.5 MPa) which does not go below 0.6 MPa. At this time, measure the discharging time and the residual pressure inside the air tank which had been left until it turned to be the normal values to determine the effective area **S**, using the following formula. The volume of an air tank should be selected within the specified range by corresponding to the effective area of an equipment for test. In the case of JIS B 8379, the pressure values are in parentheses and the coefficient of the formula is 12.9.

$$S = 12.1 \frac{V}{t} \log_{10} \left(\frac{P_s + 0.1}{P + 0.1} \right) \sqrt{\frac{293}{T}} \dots\dots\dots(6)$$

S : Effective area [mm²]

V : Air tank capacity [L]

t : Discharging time [s]

P_s: Pressure inside air tank

before discharging [MPa]

P : Residual pressure inside air tank

after discharging [MPa]

T : Temperature inside air tank

before discharging [K]

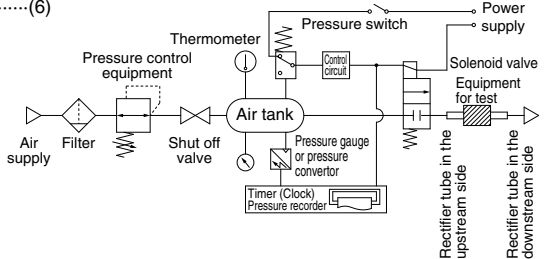


Fig. (2) Test circuit based on JIS B 8390: 2000

VX2
VXK
VXD
VXZ
VXS
VXB
VXE
VXP
VXR
VXH
VXF
VX3
VXA

2.3 Flow coefficient C_v factor

The United States Standard ANSI/(NFPA)T3.21.3: R1-2008R: Pneumatic fluid power—Flow rating test procedure and reporting method for fixed orifice components

This standard defines the C_v factor of the flow coefficient by the following formula that is based on the test conducted by the test circuit analogous to ISO 6358.

$$C_v = \frac{Q}{114.5 \sqrt{\frac{\Delta P (P_2 + P_a)}{T_1}}} \dots\dots\dots(7)$$

ΔP : Pressure drop between the static pressure tapping ports [bar]

P_1 : Pressure of the upstream tapping port [bar gauge]

P_2 : Pressure of the downstream tapping port [bar gauge]: $P_2 = P_1 - \Delta P$

Q : Flow rate [L/s standard condition]

P_a : Atmospheric pressure [bar absolute]

T_1 : Upstream absolute temperature [K]

Test conditions are $P_1 + P_a = 6.5 \pm 0.2$ bar absolute, $T_1 = 297 \pm 5$ K, $0.07 \text{ bar} \leq \Delta P \leq 0.14$ bar.

This is the same concept as effective area A which ISO 6358 stipulates as being applicable only when the pressure drop is smaller than the upstream pressure and the compression of air does not become a problem.

3. Process fluid control equipment

(1) Conformed standard

IEC60534-1: 2005: Industrial-process control valves. Part 1: control valve terminology and general considerations

IEC60534-2-3: 1997: Industrial-process control valves. Part 2: Flow capacity, Section Three- Test procedures

JIS B 2005-1: 2012: Industrial-process control valves – Part 1: Control valve terminology and general considerations

JIS B 2005-2-3: 2004: Industrial-process control valves – Part 2: Flow capacity – Section 3: Test procedures

Equipment standards: JIS B 8471: Solenoid valve for water

JIS B 8472: Solenoid valve for steam

JIS B 8473: Solenoid valve for fuel oil

(2) Definition of flow rate characteristics

K_v factor: Value of the clean water flow rate represented by m^3/h that runs through the valve (equipment for test) at 5 to 40°C, when the pressure difference is 1×10^5 Pa (1 bar). It is calculated using the following formula:

$$K_v = Q \sqrt{\frac{1 \times 10^5}{\Delta P} \cdot \frac{\rho}{1000}} \dots\dots\dots(8)$$

K_v : Flow coefficient [m^3/h]

Q : Flow rate [m^3/h]

ΔP : Pressure difference [Pa]

ρ : Density of fluid [kg/m^3]

(3) Formula of flow rate

It is described by the practical units. Also, the flow rate characteristics are shown in Graph (2).

In the case of liquid:

$$Q = 53 K_v \sqrt{\frac{\Delta P}{G}} \dots\dots\dots(9)$$

Q : Flow rate [L/min]

K_v : Flow coefficient [m^3/h]

ΔP : Pressure difference [MPa]

G : Relative density [water = 1]

In the case of saturated aqueous vapor:

$$Q = 232 K_v \sqrt{\Delta P (P_2 + 0.1)} \dots\dots\dots(10)$$

Q : Flow rate [kg/h]

K_v : Flow coefficient [m^3/h]

ΔP : Pressure difference [MPa]

P_1 : Upstream pressure [MPa]: $\Delta P = P_1 - P_2$

P_2 : Downstream pressure [MPa]

Conversion of flow coefficient:

$$Kv = 0.865 Cv \dots\dots\dots(11)$$

Here,

Cv factor: Value of the clean water flow rate represented by US gal/min that runs through the valve at 40 to 100°F, when the pressure difference is 1 lbf/in² (psi)

Value is different from **Kv** and **Cv** factors for pneumatic purpose due to different test method.

(4) Test method

Connect the equipment for the test to the test circuit shown in Fig. (3), and run water at 5 to 40°C. Then, measure the flow rate with a pressure difference where vaporization does not occur in a turbulent flow (pressure difference of 0.035 MPa to 0.075 MPa when the inlet pressure is within 0.15 MPa to 0.6 MPa). However, as the turbulent flow is definitely caused, the pressure difference needs to be set with a large enough difference so that the Reynolds number does not fall below 1 x 10⁵, and the inlet pressure needs to be set slightly higher to prevent vaporization of the liquid. Substitute the measurement results in formula (8) to calculate **Kv**.

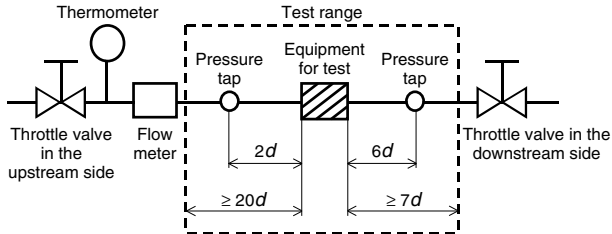
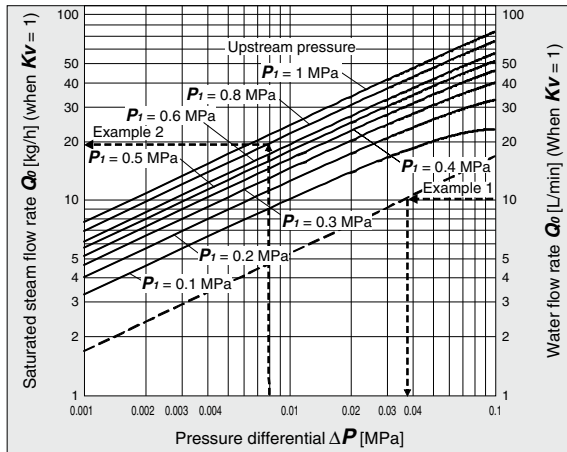


Fig. (3) Test circuit based on IEC60534-2-3, JIS B 2005-2-3



Graph (2) Flow rate characteristics

Example 1)

Obtain the pressure difference when water [15 L/min] runs through the solenoid valve with a **Kv** = 1.5 m³/h. As the flow rate when **Kv** = 1 is calculated as the formula: $Q_0 = 15 \times 1/1.5 = 10$ [L/min], read off ΔP when Q_0 is 10 [L/min] in Graph (2). The reading is 0.036 [MPa].

Example 2)

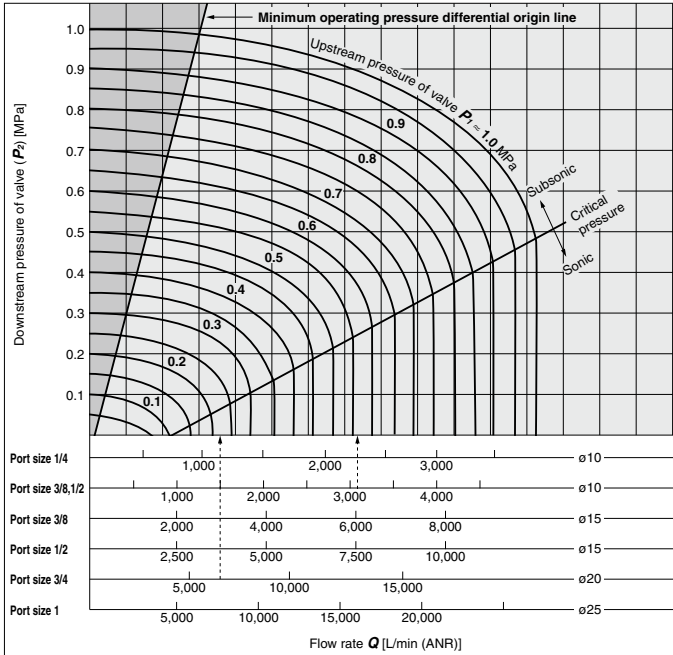
Obtain the saturated steam flow rate when $P_t = 0.8$ [MPa] and $\Delta P = 0.008$ [MPa] with a solenoid valve with a **Kv** = 0.05 [m³/h]. Read off Q_0 when P_t is 0.8 and ΔP is 0.008 in Graph (2), the reading is 20 kg/h. Therefore, the flow rate is calculated as the formula: $Q = 0.05/1 \times 20 = 1$ [kg/h].

- VX2
- VXK
- VXD**
- VXZ
- VXS
- VXB
- VXE
- VXP
- VXR
- VXH
- VXF
- VX3
- VXA

Flow Rate Characteristics

Note) Use this graph as a guide. In the case of obtaining an accurate flow rate, refer to pages 157 through to 161.

For Air (Orifice diameter: $\phi 10$ mm, $\phi 15$ mm, $\phi 20$ mm, $\phi 25$ mm)



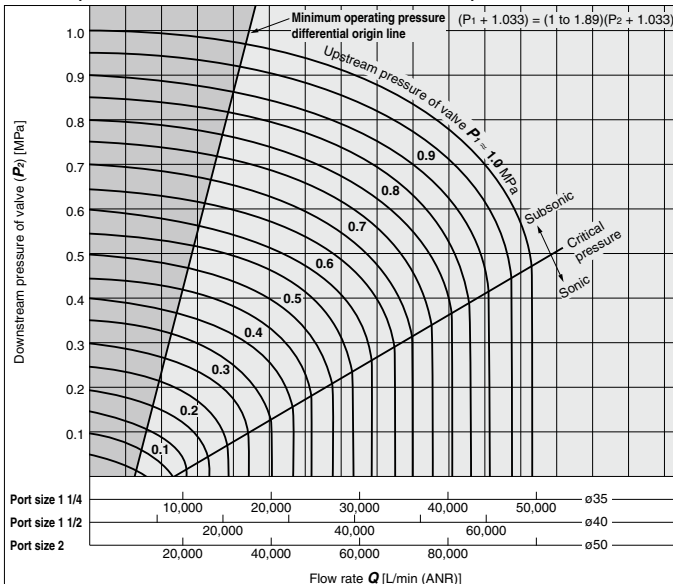
How to read the graph

The sonic range pressure to generate a flow rate of 6000 L/min (ANR) is as follows.
 For a $\phi 15$ orifice (VXD240□□/Port size 3/8),
 $P_1 = 0.57$ MPa,
 for a $\phi 20$ orifice (VXD250□□/Port size 3/4),
 $P_1 = 0.22$ MPa

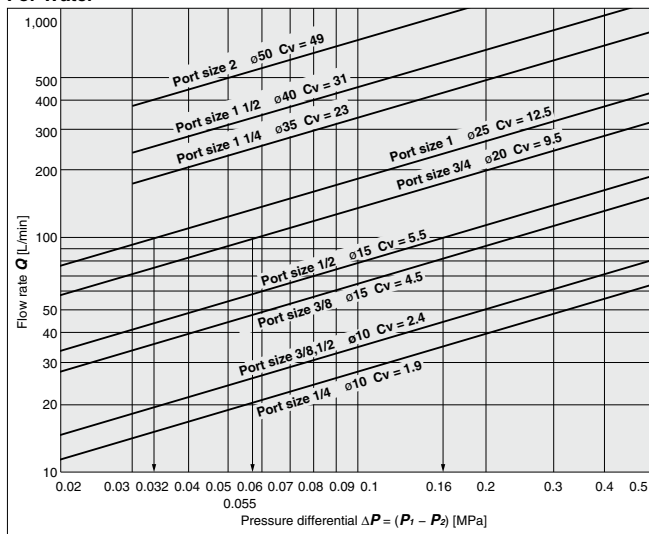
⚠ Warning

In the area located left to the minimum operating pressure differential origin line in the flow rate characteristics table, the minimum operating pressure is not generated. Do not use the product in this area as this may cause operation failure (valve opening failure, valve closing failure) or damage of the valve. Select valves with suitable size.

For Air (Orifice diameter: $\phi 35$ mm, $\phi 40$ mm, $\phi 50$ mm)



For Water



How to read the graph

The pressure differential to generate a flow rate of 100 L/min water is as follows.
 For a $\phi 15$ orifice (VXD242/Port size 1/2), $\Delta P = 0.16$ MPa,
 for a $\phi 20$ orifice (VXD252), $\Delta P = 0.055$ MPa,
 for a $\phi 25$ orifice (VXD262), $\Delta P = 0.032$ MPa

- VX2
- VXK
- VXD**
- VXZ
- VXS
- VXB
- VXE
- VXP
- VXR
- VXH
- VXF
- VX3
- VXA



VXD Series Specific Product Precautions 1

Be sure to read this before handling the products.

Refer to back page 50 for Safety Instructions and pages 17 to 19 for 2 Port Solenoid Valve for Fluid Control Precautions.

Design

Design

- 1. Cannot be used as an emergency shutoff valve etc.**
The valves presented in this catalog are not designed for safety applications such as an emergency shutoff valve. If the valves are used in this type of system, other reliable safety assurance measures should also be adopted.
- 2. Extended periods of continuous energization**
The solenoid coil will generate heat when continuously energized. Avoid using in a tightly shut container. Install it in a well-ventilated area. Furthermore, do not touch it while it is being energized or right after it is energized.
- 3. Closed liquid circuit**
In a closed circuit, when liquid is static, pressure could rise due to changes in temperature. This pressure rise could cause malfunction and damage to components such as valves. To prevent this, install a relief valve in the system.
- 4. Actuator drive**
When an actuator, such as a cylinder, is to be driven using a valve, take appropriate measures to prevent potential danger caused by actuator operation.
- 5. Pressure (including vacuum) holding**
It is not usable for an application such as holding the pressure (including vacuum) inside of a pressure vessel because air leakage is entailed in a valve.
- 6. When the conduit type is used as equivalent to an IP65 enclosure, install a wiring conduit etc.**
- 7. When an impact, such as water hammer etc., caused by the rapid pressure fluctuation is applied, the solenoid valve may be damaged. Give an attention to it.**

Selection

Warning

- 1. Minimum operating pressure differential**
Be aware that even if the pressure difference is above the minimum operating pressure differential when the valve is closed, the pressure difference may fall below the minimum operating pressure differential when the valve opens, depending on the capacity of the supply source (pumps, compressors, etc.,) or the type of pipe restrictions (the piping is bent continuously due to elbow or tee, or narrow tube nozzle is installed in the end). If the product is used below the minimum operating pressure, the operation becomes unstable, which might cause valve opening or closing failure, or oscillation, leading to failure due to insufficient pressure differential. Select an appropriate valve size with reference to the flow rate characteristics and flow rate characteristics table (on pages 157 through to 163).

Selection

Warning

2. Fluid

1) Type of fluid

Select an appropriate valve with reference to the table below for the general fluid. Before using a fluid, check whether it is compatible with the materials of each model by referring to the fluids listed in this catalog. Use a fluid with a kinematic viscosity of 50 mm²/s or less.

Applicable fluid

For Air	Air
For Water	Air/Water
For Oil	Air/Water/Oil
For Heated water	Air(up to 99°C)/Water/Heated water
For High temperature oil	Air(up to 99°C)/Water/High temperature oil

2) Flammable oil, Gas

Do not use the product with combustion-supporting or flammable fluids.

3) Corrosive gas

Cannot be used since it will lead to cracks by stress corrosion or result in other incidents.

- 4) Depending on water quality, a brass body can cause corrosion and internal leakage may occur. If such abnormalities occur, exchange the product for a stainless steel body.
- 5) Use an oil-free specification when any oily particle must not enter the passage.
- 6) Applicable fluid on the list may not be used depending on the operating condition. Give adequate confirmation, and then determine a model, just because the compatibility list shows the general case.

3. Fluid quality

<Air>

1) Use clean air.

Do not use compressed air that contains chemicals, synthetic oils including organic solvents, salt or corrosive gases, etc., as it can cause damage or malfunction.

2) Install an air filter.

Install an air filter close to the valve on the upstream side. A filtration degree of 5 μm or less should be selected.

3) Install an aftercooler or air dryer, etc.

Compressed air that contains excessive drainage may cause malfunction of valves and other pneumatic equipment. To prevent this, install an aftercooler or air dryer, etc.

4) If excessive carbon powder is generated, eliminate it by installing a mist separator on the upstream side of valves.

If excessive carbon powder is generated by the compressor, it may adhere to the inside of the valves and cause a malfunction.

Refer to Best Pneumatics No.5 for further details on compressed air quality.



VXD Series Specific Product Precautions 2

Be sure to read this before handling the products.

Refer to back page 50 for Safety Instructions and pages 17 to 19 for 2 Port Solenoid Valve for Fluid Control Precautions.

Selection

⚠ Warning

<Water>

The use of a fluid that contains foreign objects can cause problems such as malfunction and seal failure by promoting wear of the valve seat and armature, and by sticking to the sliding parts of the armature etc. Install a suitable filter (strainer) immediately upstream from the valve. As a general rule, use 80 to 100 mesh.

The supply water includes materials that create a hard sediment or sludge such as calcium and magnesium. Sediment and sludge can cause the valve to not operate properly. Therefore, install a water softening device, which removes these materials, and a filter (strainer) directly in front of the valve.

<Oil>

Generally, FKM is used as seal material, as it is resistant to oil. The resistance of the seal material may deteriorate depending on the type of oil, manufacturer or additives. Check the resistance before using.

4. Ambient environment

Use within the operable ambient temperature range. Check the compatibility between the product's composition materials and the ambient atmosphere. Be certain that the fluid used does not touch the external surface of the product.

5. Countermeasures against static electricity

Take measures to prevent static electricity since some fluids can cause static electricity.

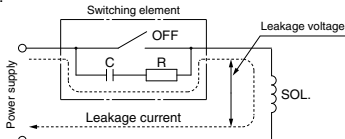
6. Low temperature operation

- 1) The valve can be used in an ambient temperature of between -10 to -20°C . However, take measures to prevent freezing or solidification of impurities, etc.
- 2) When using valves for water application in cold climates, take appropriate countermeasures to prevent the water from freezing in tubing after cutting the water supply from the pump, by draining the water, etc. When warming by a heater, etc., be careful not to expose the coil portion to a heater. Installation of a dryer, heat retaining of the body is recommended to prevent a freezing condition in which the dew point temperature is high and the ambient temperature is low, and the high flow runs.

⚠ Caution

1. Leakage voltage

When the solenoid valve is operated using the controller, etc., the leakage voltage should be the product allowable leakage voltage or less. Particularly when using a resistor in parallel with a switching element and using a C-R element (surge voltage suppressor) to protect the switching element, take note that leakage current will flow through the resistor, C-R element, etc., creating a possible danger that the valve may not turn off.



AC coil: 5% or less of rated voltage
DC coil: 2% or less of rated voltage

Selection

⚠ Caution

2. Selecting model

Material depends on fluid. Select optimal models for the fluid.

3. When the fluid is oil.

The kinematic viscosity must not exceed 50 mm²/s.

Mounting

⚠ Warning

1. If air leakage increases or equipment does not operate properly, stop operation.

After mounting is completed, confirm that it has been done correctly by performing a suitable function test.

2. Do not apply external force to the coil section.

When tightening is performed, apply a wrench or other tool to the outside of the piping connection parts.

3. Mount a valve with its coil position upward, not downward.

When mounting a valve with its coil positioned downward, foreign objects in the fluid will adhere to the iron core leading to a malfunction. Especially for strict leakage control, such as with vacuum applications and non-leak specifications, the coil must be positioned upward.

4. Do not warm the coil assembly with a heat insulator etc.

Use tape, heaters, etc., for freeze prevention on the piping and body only. They can cause the coil to burn out.

5. Secure with brackets, except in the case of steel piping and copper fittings.

6. Avoid sources of vibration, or adjust the arm from the body to the minimum length so that resonance will not occur.

7. Painting and coating

Warnings or specifications printed or labeled on the product should not be erased, removed or covered up.

VX2

VXX

VXD

VXZ

VXS

VXB

VXE

VXP

VXR

VXH

VXF

VX3

VXA



VXD Series Specific Product Precautions 3

Be sure to read this before handling the products.

Refer to back page 50 for Safety Instructions and pages 17 to 19 for 2 Port Solenoid Valve for Fluid Control Precautions.

Disassembly/Assembly Procedures

⚠ Caution

1. Before disassembling, be sure to shut off the power supply and pressure supply, and then release the residual pressure.

Disassembly

<N.C.>

- 1) Loosen the mounting screws.
The coil assembly, stopper, return spring, armature assembly and body can be removed.

<N.O.>

- 1) Loosen the mounting screws.
The coil assembly, push rod assembly, O-rings, adapter and body can be removed.

Assembly

<Common to N.C. and N.O.>

- 1) Mount the components on the body in the reverse order of disassembly.
- 2) Push the coil assembly against the body and tighten the screws two or more rounds diagonally (Fig. 2) in the status that there are no gaps between the coil assembly and body (Fig. 1).

Tighten the screws in the order of "1→2→3→4→1→2→3→4".

Proper Tightening Torque N·m

VXD2 ₃ ³	0.5
VXD2 ₅ ⁴	
VXD2 ₅ ⁵	
VXD2 ₃ ⁶	0.7
VXD2 ₅ ⁷	
VXD2 ₅ ⁸	
VXD2 ₆ ⁹	

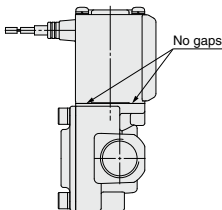


Fig. 1

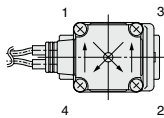
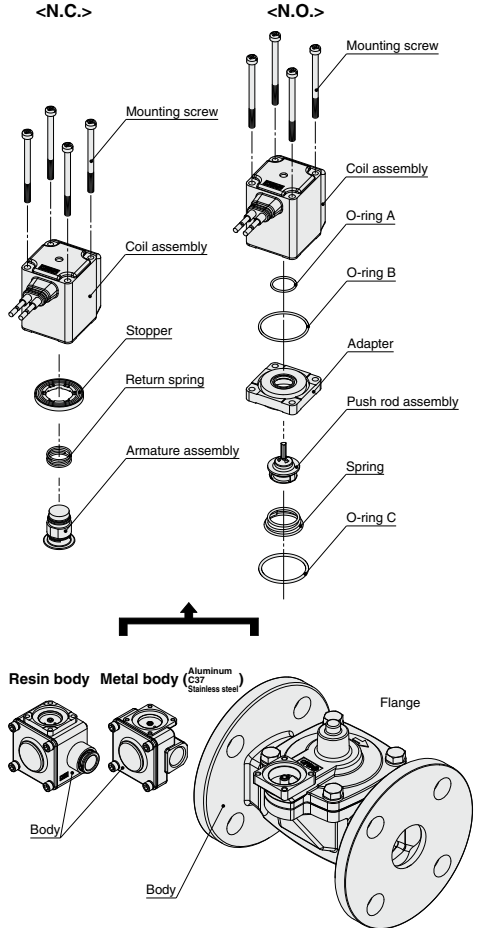


Fig. 2



* After tightening the screws, make sure that there are no gaps between the coil and body (Fig. 1).

* After the disassembly and assembly have been completed, make sure that no leak occurs from the seal. Additionally, when restarting the valve, make sure that the valve operates correctly after checking the safety.



VXD Series Specific Product Precautions 4

Be sure to read this before handling the products.

Refer to back page 50 for Safety Instructions and pages 17 to 19 for 2 Port Solenoid Valve for Fluid Control Precautions.

Piping

⚠ Warning

1. During use, deterioration of the tube or damage to the fittings could cause tubes to come loose from their fittings and thrash about.

To prevent uncontrolled tube movement, install protective covers or fasten tubes securely in place.

2. For piping the tube, fix the product securely using the mounting holes so that the product is not in the air.

⚠ Caution

1. Preparation before piping

Before piping is connected, it should be thoroughly blown out with air (flushing) or washed to remove chips, cutting oil and other debris from inside the pipe.

Install piping so that it does not apply pulling, pressing, bending or other forces on the valve body.

2. Avoid connecting ground lines to piping, as this may cause electric corrosion of the system.

3. Always tighten threads with the proper tightening torque.

When attaching fittings to valves, tighten with the proper tightening torque shown below.

Tightening Torque for Piping

Connection thread	Proper tightening torque (N·m)
Rc1/8	7 to 9
Rc1/4	12 to 14
Rc3/8	22 to 24
Rc1/2	28 to 30
Rc3/4	
Rc1	36 to 38

4. When connecting piping to a product

Avoid mistakes regarding the supply port etc.

5. If the regulator and solenoid valve are connected directly, chattering may occur as both of them generate vibration. Do not connect them.

6. If the effective area of piping on the fluid supply side is restricted, the operation may become unstable due to differential pressure fluctuation during valve operation. The piping on the fluid supply side should match the port size of the valve.

Recommended Piping Conditions

1. When connecting tubes using One-touch fittings, provide some spare tube length shown in Fig. 1, recommended piping configuration.

Also, do not apply external force to the fittings when binding tubes with bands etc. (see Fig. 2.)

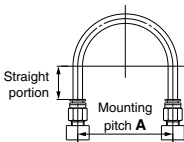


Fig. 1 Recommended piping configuration

Recommended Piping Conditions

Unit: mm

Tube size	Mounting pitch A			Straight portion length
	Nylon tube	Soft nylon tube	Polyurethane tube	
ø1/8"	44 or more	35 or more	25 or more	16 or more
ø6	84 or more	66 or more	39 or more	30 or more
ø1/4"	89 or more	70 or more	57 or more	32 or more
ø8	112 or more	88 or more	52 or more	40 or more
ø10	140 or more	110 or more	69 or more	50 or more
ø12	168 or more	132 or more	88 or more	60 or more

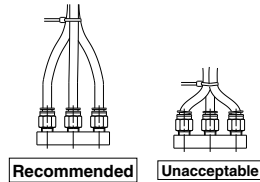


Fig. 2 Binding tubes with bands

Wiring

⚠ Warning

1. The solenoid valve is an electrical product. For safety, install an appropriate fuse and circuit breaker before use.

When using multiple solenoid valves, it is not sufficient to merely install one fuse on the inlet side. In order to ensure the safety of the devices, select and install a fuse for each circuit.

2. Do not apply AC voltage to Class "H" coil AC type unless it is built in full-wave rectifier, or the coil will be damaged.

⚠ Caution

1. As a rule, use electrical wire with a cross sectional area of 0.5 to 1.25 mm² for wiring. Furthermore, do not allow excessive force to be applied to the lines.
2. Use electrical circuits which do not generate chattering in their contacts.
3. Use voltage which is within ±10% of the rated voltage. In cases with a DC power supply where importance is placed on responsiveness, stay within ±5% of the rated value. The voltage drop is the value in the lead wire section connecting the coil.
4. When a surge from the solenoid affects the electrical circuitry, install a surge voltage suppressor etc., in parallel with the solenoid. Or, adopt an option that comes with the surge voltage protection circuit. (However, a surge voltage occurs even if the surge voltage protection circuit is used.)

VX2

VXK

VXD

VXZ

VXS

VXB

VXE

VXP

VXR

VXH

VXF

VX3

VXA



VXD Series Specific Product Precautions 5

Be sure to read this before handling the products.

Refer to back page 50 for Safety Instructions and pages 17 to 19 for 2 Port Solenoid Valve for Fluid Control Precautions.

Operating Environment

Warning

1. Do not use in an atmosphere having corrosive gases, chemicals, sea water, water, water vapor, or where there is direct contact with any of these.
2. Do not use in explosive atmospheres.
3. Do not use in locations subject to vibration or impact.
4. Do not use in locations where radiated heat will be received from nearby heat sources.
5. Employ suitable protective measures in locations where there is contact with water droplets, oil or welding spatter, etc.

Maintenance

Warning

1. Removing the product

The valve will reach a high temperature when used with high temperature fluids. Confirm that the valve temperature has dropped sufficiently before performing work. If touched inadvertently, there is a danger of being burned.

- 1) Shut off the fluid supply and release the fluid pressure in the system.
- 2) Shut off the power supply.
- 3) Dismount the product.

2. Low frequency operation

Switch valves at least once every 30 days to prevent malfunction. Also, in order to use it under the optimum state, conduct a regular inspection once a half year.

Caution

1. Filters and strainers

- 1) Be careful regarding clogging of filters and strainers.
- 2) Replace filter elements after one year of use, or earlier if the pressure drop reaches 0.1 MPa.
- 3) Clean strainers when the pressure drop reaches 0.1 MPa.

2. Lubrication

When using after lubricating, never forget to lubricate continuously.

3. Storage

In case of long term storage after use, thoroughly remove all moisture to prevent rust and deterioration of rubber materials, etc.

4. Exhaust the drainage from the air filter periodically.

Operating Precautions

Warning

1. If there is a possibility of reverse pressure being applied to the valve, take countermeasures such as mounting a check valve on the downstream side of the valve.
2. When problems are caused by a water hammer, install water hammer relief equipment (accumulator, etc.), or use an SMC water hammer relief valve (VXR series). For details, please consult with SMC.
3. When the pilot type 2 port solenoid valve is closed, and pressure is applied suddenly due to the starting of fluid supply source such as pump and compressor, the valve may open momentarily and fluid may leak.

Operating Precautions

Warning

4. If the product is used in the conditions in which rapid decrease in the inlet pressure of the valve and rapid increase in the outlet pressure of the valve are repeated, excessive stress will be applied to the diaphragm, which causes the diaphragm to be damaged and dropped, leading to the operation failure of the valve. Check the operating conditions before use.

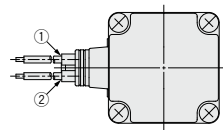
Electrical Connections

Caution

■ Grommet

Class B coil: AWG20 Insulator O.D. 2.6 mm

Class H coil: AWG18 Insulator O.D. 2.1 mm



Rated voltage	Lead wire color	
	①	②
DC	Black	Red
100 VAC	Blue	Blue
200 VAC	Red	Red
Other AC	Gray	Gray

* There is no polarity.

■ DIN terminal

Disassembly

1. After loosening the binding head screw with flange, then if the housing is pulled in the direction of the arrow, the connector will be removed from the solenoid valve.
2. Pull out the binding head screw with flange from the housing.
3. There is a cutout on the bottom of the terminal block. Insert a small flat head screwdriver, etc. into this cutout, and remove the terminal block from the housing. (See next page)
4. Remove the ground nut, and pull out the washer and the rubber seal.

Wiring

1. Pass the cable through the ground nut, washer and rubber seal in this order, and insert these parts into the housing.
2. Loosen the binding head screw of the terminal block, then insert the core wire or the crimped terminal of the lead wire into the terminal, and securely fix it with the binding head screw. The binding head screw of the terminal block is M3.
Note 1) Tighten the screw to a torque of between 0.5 and 0.6 N·m.
Note 2) Cable O.D.: $\phi 6$ to $\phi 12$ mm
Note 3) For an outside cable diameter of $\phi 9$ to 12 mm, remove the internal parts of the rubber seal before using.

Assembly

1. Pass the cable through the ground nut, washer, rubber seal and the housing in this order, and connect to the terminal block. Then, set the terminal block inside the housing. (Push in the terminal block until it snaps into position.)
2. Insert the rubber seal and the washer in this order into the cable entry of the housing, and then tighten the ground nut securely.
3. Insert the gasket between the bottom part of the terminal block and the plug attached to the equipment, and then insert the binding head screw with flange from the top of the housing, and tighten it.
Note 1) Tighten the screw to a torque of between 0.5 and 0.6 N·m.
Note 2) The orientation of the connector can be changed in steps of 90° by changing the method of assembling the housing and the terminal block.



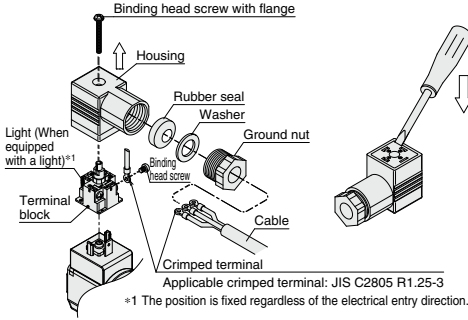
VXD Series Specific Product Precautions 6

Be sure to read this before handling the products.

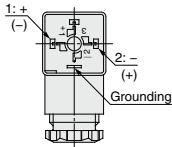
Refer to back page 50 for Safety Instructions and pages 17 to 19 for 2 Port Solenoid Valve for Fluid Control Precautions.

Electrical Connections

⚠ Caution



Internal connections are as shown below. Make connections to the power supply accordingly.

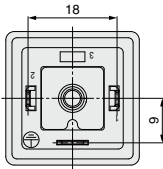


Terminal no.	1	2
DIN terminal	+(-)	-(+)

* There is no polarity.

DIN (EN175301-803) Terminal

This DIN terminal corresponds to the Form A DIN connector with an 18 mm terminal pitch, which complies with EN175301-803B.



■ Conduit terminal

Disassembly

- Loosen the mounting screw, and remove the terminal cover from the conduit terminal.

Wiring

- Insert the cable into the conduit terminal.
- Loosen the screw with UP terminal of the conduit terminal, then insert the core wire or the crimped terminal of the lead wire into the terminal, and securely fix it with the screw with UP terminal.
Note 1) Tighten the screw to a torque of between 0.5 and 0.6 N-m.

⚠ Caution

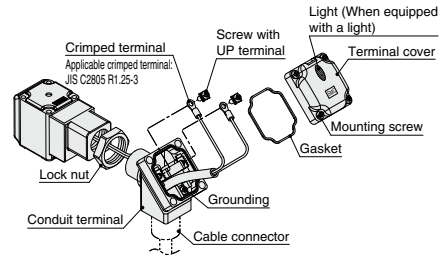
Assembly

- Insert the gasket into the conduit terminal, and then clamp the terminal cover with the mounting screw.

Note 1) Tighten the screw to a torque of between 0.5 and 0.6 N-m.
Note 2) When changing the orientation of the conduit terminal, carry out the following procedure.

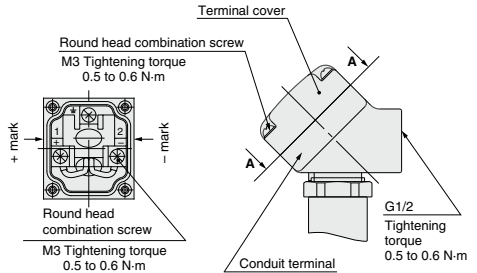
- Apply a tool (monkey wrench, spanner, etc.) to the width across flats of the conduit terminal, and turn the terminal in the counterclockwise direction.
- Loosen the lock nut.
- Turn the conduit terminal in the clamping direction (clockwise direction) to about 15° ahead of the desired position.
- Turn the lock nut by hand to the coil side until it is lightly tightened.
- Apply a tool to the width across flats of the conduit terminal, and turn it to the desired position (through an angle of about 15°) so as to clamp the conduit terminal.

Note) When changing the orientation by applying additional tightening force to the conduit terminal from the factory-set position, turn no more than one half a turn.



Make connections according to the marks shown below.

- Use the tightening torques below for each section.
- Properly seal the terminal connection (G1/2) with the special wiring conduit etc.



(Internal connection diagram)

VX2

VXK

VXD

VXZ

VXS

VXB

VXE

VXP

VXR

VXH

VXF

VX3

VXA



VXD Series Specific Product Precautions 7

Be sure to read this before handling the products.

Refer to back page 50 for Safety Instructions and pages 17 to 19 for 2 Port Solenoid Valve for Fluid Control Precautions.

Electrical Connections

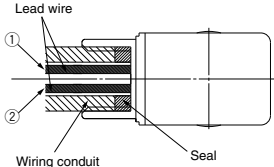
⚠ Caution

■ Conduit

When used as an IP65 equivalent, use seal to install the wiring conduit. Also, use the tightening torque below for the conduit.

Class B coil: AWG20 Insulator O.D. 2.5 mm

Class H coil: AWG18 Insulator O.D. 2.1 mm



(Connection G1/2 Tightening torque 0.5 to 0.6 N·m)

Rated voltage	Lead wire color		Description	Part no.
	①	②		
DC	Black	Red	Seal	VCW20-15-6
100 VAC	Blue	Blue	Note) Please order separately.	
200 VAC	Red	Red		
Other AC	Gray	Gray		

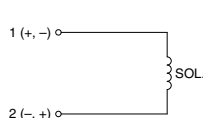
* There is no polarity.

Electrical Circuits

⚠ Caution

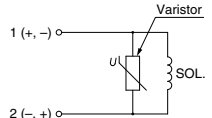
[DC circuit]

Grommet, Flat terminal



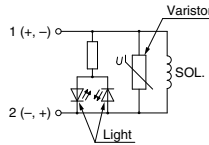
Without electrical option

Grommet, DIN terminal, Conduit terminal, Conduit



With surge voltage suppressor

DIN terminal, Conduit terminal

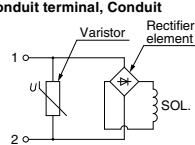


With light/surge voltage suppressor

[AC circuit]

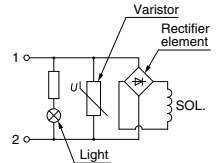
* For AC, the standard product is equipped with surge voltage suppressor.

Grommet, DIN terminal, Conduit terminal, Conduit



Without electrical option

DIN terminal, Conduit terminal



With light/surge voltage suppressor

Note 1) Coil for DIN terminal H type with AC voltage does not have full-wave rectifier. Full-wave rectifier is built in the DIN connector. Refer to page 155 to order it as an accessory.

One-touch Fitting

⚠ Caution

For information on handling One-touch fittings and on appropriate tubing, refer to page 167 and the Fittings & Tubing section of the "Handling Precautions for SMC Products" on the SMC website.