

Miniature Regulator

ARJ210 Series

- Lightweight body made of aluminum (60 g)
- Two types of piping connections provided for the IN side: 1/8 (male thread) and M5 (female thread)



ARJ210-M5



ARJ210-M5BG

Symbol



Standard Specifications

| Model | | ARJ210-M5 |
|-------------------------------|----------|---|
| Port size | IN side | 1/8 (Male thread), M5 x 0.8 (Female thread) |
| | OUT side | M5 x 0.8 (Female thread 2 pcs.) |
| Fluid | | Air |
| Proof pressure | | 1.2 MPa |
| Maximum operating pressure | | 0.8 MPa |
| Regulating pressure range | | Standard: 0.2 to 0.7 MPa |
| | | 0.2 MPa setting 0.05 to 0.2 MPa |
| Pressure gauge port size | | M5 x 0.8 (Female thread) |
| Ambient and fluid temperature | | -5 to 60°C (No freezing) |
| Construction | | Relieving type |
| Weight (kg) | | 0.06 |

Accessory (Option)/Part No.

| | |
|------------------------------------|-----------|
| Bracket | 134856 |
| Pressure gauge <small>Note</small> | G27-10-R1 |

Note) When ordering the pressure gauge, a socket assembly (134828A) is required.
When installing a pressure gauge, the socket assembly must be fixed and installed to prevent the thread from breaking. 0.2 MPa specification is not available for G27.

How to Order

ARJ 2 10 - M5 BG - [] - []

- ARJ**: Miniature regulator
- 2**: Body size
- 10**: Model (Relieving type (Standard))
- M5**: Port size (IN: 1/8 (Male thread), M5 x 0.8 (Female thread); OUT: M5 x 0.8 (Female thread))
- BG**: Accessory (Note)

| Symbol | Description |
|--------|---------------------|
| Nil | |
| B | With bracket |
| G | With pressure gauge |
- []**: Made to Order

| | |
|------|------------------------|
| Nil | None (Standard) |
| X209 | With backflow function |
- []**: Semi-standard

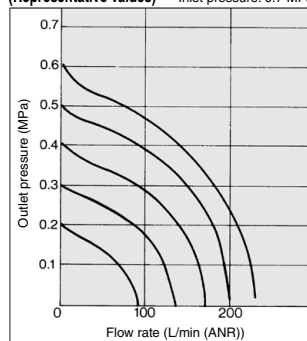
| | |
|-----|----------------------------|
| Nil | 0.7 MPa setting (Standard) |
| 1 | 0.2 MPa setting |
| S | With seal |

Note 1) Compared with standard specifications, its adjusting spring has only been changed. It is not the product which does not allow the pressure more than 0.2 MPa. Adjusting spring is not replaceable.

Note) Backflow function is not available for standard.
X209 is with backflow function.
A main valve opens when the inlet pressure is released, and then an outlet pressure backflows into the inlet side.
X209 is a product with pressure gauge (G27-10-M-X202). The symbol "G" for accessory is not necessary.

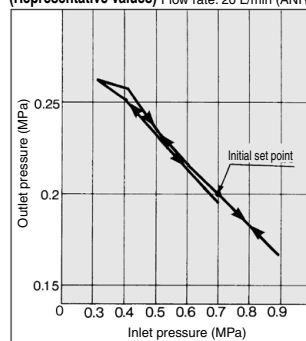
Flow Rate Characteristics (Representative values)

Inlet pressure: 0.7 MPa

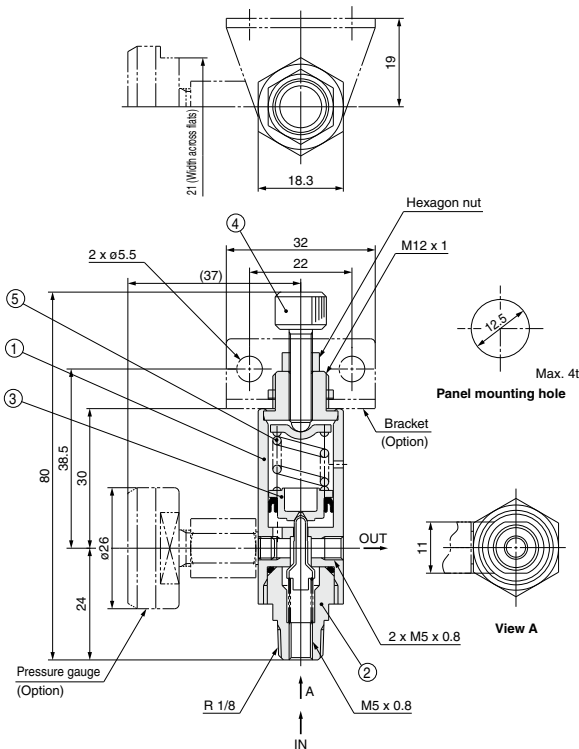


Pressure Characteristics (Representative values)

Conditions (Initial setting)
Inlet pressure: 0.7 MPa
Outlet pressure: 0.2 MPa
Flow rate: 20 L/min (ANR)



Construction/Dimensions



| No. | Description | Material | Note |
|-----|-------------------------|----------------|---------------------------|
| 1 | Body | Aluminum alloy | Black anodized |
| 2 | Valve guide | Brass | Electroless nickel plated |
| 3 | Piston | POM | |
| 4 | Adjusting screw | Iron | Nickel plated |
| 5 | Adjusting spring | Steel wire | Zinc chromated |

⚠ Precautions

Be sure to read this before handling the products. Refer to page 9 for safety instructions and pages 13 to 17 for precautions on every series.

Selection

⚠ Warning

1. This product cannot be used as a check regulator by installing it between solenoid valve and actuator. Doing so could lead to equipment damage.
2. When piping, tighten the regulator with the recommended proper tightening torque shown in the table below while holding the wrench flats (width 11) of the valve guide for IN port and holding the hexagonal section of the body for the OUT port. Excessive torque or holding it other than at the specified area could lead to equipment damage.
3. While piping to products or operating the knob, ensure that an excessbending moment should not be applied to a product, because it may result in damage.

Recommended proper torque

| Connection thread | Recommended proper torque [N·m] | Note |
|-------------------|---------------------------------|---|
| M5 | 1.0 to 1.5 | The recommended torque when using a tightening tool to tighten an additional 1/6 to 1/4 turn after tightening by hand |
| R1/8 | 7 to 9 | — |

⚠ Caution

1. When operating at an inlet pressure lower than the inlet pressure used in the flow rate characteristics graph, the pressure drop on the outlet side may be greater. Therefore, be sure to conduct testing using the actual equipment. For pressure control equipment selection, refer to the "Product Selection Guide."

Mounting/Adjustment

⚠ Warning

1. Set up the regulator while verifying the pressure that is indicated on the inlet and the outlet pressure gauges. Turning the knob excessively could damage the internal parts.

⚠ Caution

1. Release the lock to adjust the pressure. After the adjustment, engage the lock. Failure to observe this procedure could damage the knob or cause the outlet pressure to fluctuate.
<Lock operating method>
Loosen the lock nut to unlock it, and tighten it to lock it.
2. This product cannot be used as a check regulator by installing it between solenoid valve and actuator. (Except X209)
3. Port with a pressure gauge or a plug can be used as an OUT port.

Maintenance

⚠ Warning

1. Make sure to perform a periodic inspection of the pressure gauge when the miniature regulator is installed between a solenoid valve and an actuator. Sudden pressure changes could happen and the durability of the product could be reduced. Using an electronic type pressure gauge is recommended, depending on the situation.