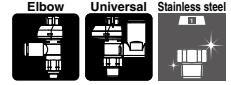


Stainless Steel Type Speed Controller with Indicator (Elbow Type / Universal Type) **AS-FSG Series**



Model

Model	Port size	Seal method	Applicable tubing O.D.												*3 Max. number of rotations					
			Metric size						Inch size											
			2*2	3.2	4	6	8	10	12	16	1/8"	5/32"	1/4"	5/16"		3/8"	1/2"			
AS1□□1FSG□-M5	M5 x 0.8	Gasket seal	●*4	●	●	●							●	●	●				8	
AS1□□1FSG□-U10/32	10-32UNF		●*4	●	●	●							●	●	●					
AS2□□1FSG□-□01	R NPT	Sealant*1	1/8	●	●	●	●	●*4					●	●	●				10	
AS2□□1FSG□-□02			1/4	●*4	●	●	●	●					●*4	●	●	●	●			
AS3□□1FSG□-□02			1/4			●	●	●	●	●					●	●	●	●		
AS3□□1FSG□-□03			3/8				●	●	●	●					●	●	●	●		
AS4□□1FSG□-□04	1/2						●	●	●	●*4						●	●			
AS2□□1FSG□-G01	G	Face seal	1/8	●	●	●	●	●*4											10	
AS2□□1FSG□-G02			1/4	●*4	●	●	●	●												
AS3□□1FSG□-G02			1/4			●	●	●	●	●										
AS3□□1FSG□-G03			3/8				●	●	●	●	●									
AS4□□1FSG□-G04	1/2						●	●	●	●	●*4									

*1 "Without sealant" type can be selected as a standard option.

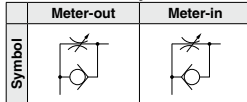
*2 Only polyurethane tubing is applicable for ø2.

*3 There are differences in actual rate as by the indicator window over the maximum number of rotations depending on the individual product.

*4 The universal type is not available.

Specifications

Flow Direction Symbols on Body



Fluid	Air
Proof pressure	1.5 MPa
Max. operating pressure	1 MPa
Min. operating pressure	0.1 MPa
Ambient and fluid temperature	-5 to 60°C (No freezing)
Applicable tubing material	Nylon, Soft nylon, Polyurethane*1, FEP, PFA

*1 Use caution at the max. operating pressure when using soft nylon or polyurethane tubing.
(For details, refer to pages 678 and 682.)

⚠ Caution

Be sure to read this before handling the products. Refer to page 11 for safety instructions and pages 19 to 22 for flow control equipment precautions.

Flow Rate and Sonic Conductance

Model	AS1□□1FSG□-M5	AS2□□1FSG□-□01	AS2□□1FSG□-□02	AS3□□1FSG□	AS4□□1FSG□
Tubing O.D.	Metric size	ø2 ø3.2 ø4 ø6	ø3.2 ø4	ø6 ø8 ø10	ø3.2 ø4 ø6 ø8 ø10 ø12 ø16
	Inch size	— ø1/8" ø1/4" ø5/32"	ø1/8" ø5/32"	ø1/4" ø5/16" ø3/8"	ø1/8" ø5/32" — ø1/4" ø5/16" ø3/8" ø1/2"
C values: Sonic conductance dm ³ /(s·bar)	Free flow	0.2 0.3	0.4 0.6	0.6	0.7 1.0 1.3 1.5 1.6 1.7 2.5 4.4 4.8
	Controlled flow	0.2 0.3	0.4 0.7	0.8	0.6 0.9 1.3 2.1 2.4 3.3 4.4 4.9
b values: Critical pressure ratio	Free flow	0.3 0.4	0.2 0.3	0.3	0.3 0.4 0.4 0.3 0.3
	Controlled flow	0.2	0.2 0.3	0.3	0.3 0.3 0.3 0.3

* 10-32UNF has the same specification as M5.

* C and b values are at controlled flow with the needle fully open and free flow with the needle fully closed.

AS-FSG Series



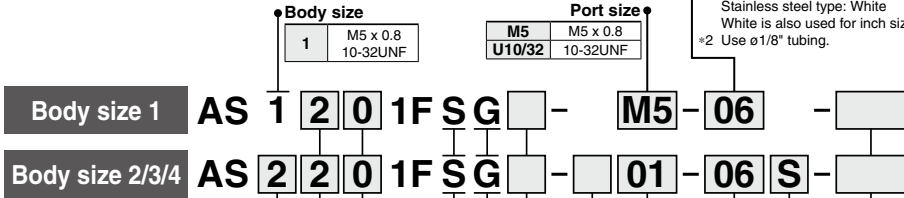
How to Order



Applicable tubing O.D.*1

Metric size		Inch size	
02	ø2	01	ø1/8"
23	ø3.2*2	03	ø5/32"
04	ø4	07	ø1/4"
06	ø6		

*1 For selecting applicable tubing O.D., refer to the "Model" on page 973. Metric size and inch size types can be visually identified by color of the release button. Stainless steel type: White. White is also used for inch size.
*2 Use ø1/8" tubing.



Body size

2	1/8, 1/4
3	3/8
4	1/2

Type

2	Elbow
3	Universal

Control type*1

0	Meter-out
1	Meter-in

*1 Meter-out and meter-in types can be visually identified by color of the knob.
Meter-out: Gray
Meter-in: Light blue

Stainless steel type

* Metric size and inch size types can be visually identified by color of the release button.
Stainless steel type: White
* White is also used for inch size.

Indicator window direction

			Elbow	Universal
Nil	0°		•	—
1	180°		•	•
2	90°		•	—
3	270°		•	—

* Orientation of indicator direction is fixed when manufacturing, and cannot be changed by the user. In addition, the universal type is only available with 180° setting.

Made to Order
Refer to page 984 for details.

Seal method

Nil	Without sealant
S	With sealant

* Face seal type is used for the G thread type.
Select "Nil/Without sealant".
Example) AS2201FSG-G01-06

Applicable tubing O.D.*1

Metric size		Inch size*3	
23	ø3.2*2	01	ø1/8"
04	ø4	03	ø5/32"
06	ø6	07	ø1/4"
08	ø8	09	ø5/16"
10	ø10	11	ø3/8"
12	ø12	13	ø1/2"
16	ø16		

*1 For selecting applicable tubing O.D., refer to the "Model" on page 973.

*2 Use ø1/8" tubing.

*3 Only the metric size is available for the G thread type.

Port size

01	1/8
02	1/4
03	3/8
04	1/2

Thread type

Nil	R
N	NPT
G	G

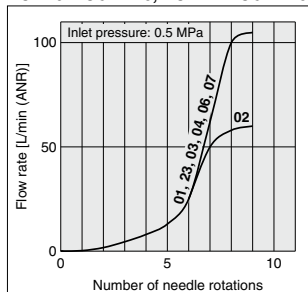


Made to Order
(For details, refer to page 984.)

Symbol	Specifications
-X12	Lubricant: Vaseline
-X21	Grease-free (Seal: Fluorine-coated) + Restrictor (Without check valve)
-X214	Restrictor (Without check valve)
10-	Clean series

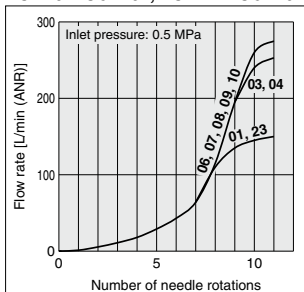
Needle Valve: Flow Rate Characteristics

AS1□01FSG□-M5, AS1□11FSG□-M5

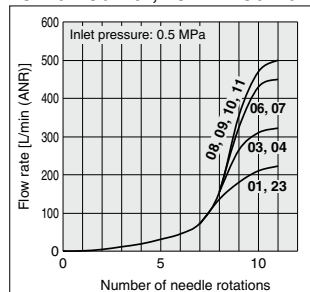


* -U10/32 has the same specification as M5.

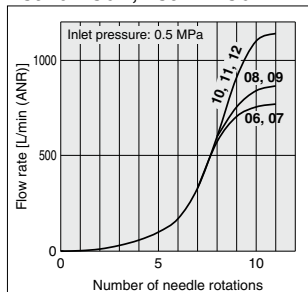
AS2□01FSG□-01, AS2□11FSG□-01



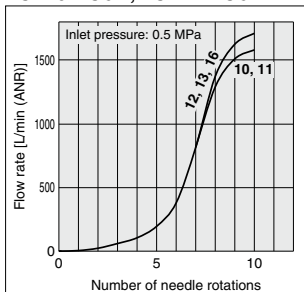
AS2□01FSG□-02, AS2□11FSG□-02



AS3□01FSG□, AS3□11FSG□



AS4□01FSG□, AS4□11FSG□

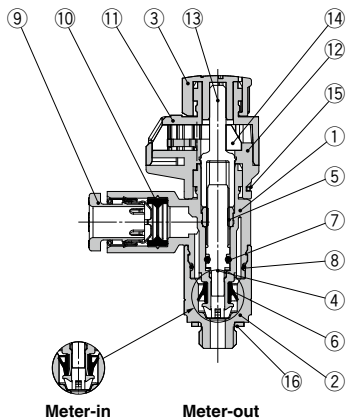


* The numbers above the flow rate characteristic curves in the charts show the applicable tubing outside diameter as defined by the product number.

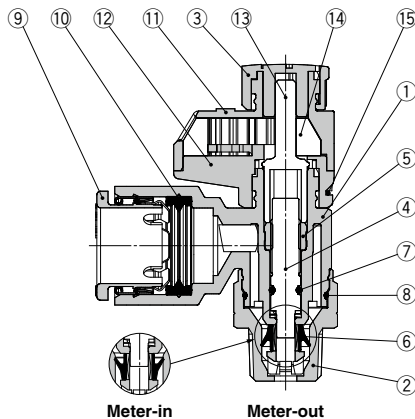
AS-FSG Series

Construction: **Elbow Type**

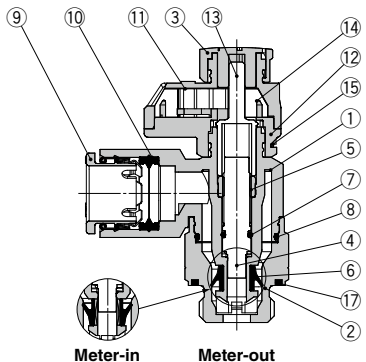
Seal method: Gasket seal
For M5, 10-32UNF



Seal method: Sealant
For R, NPT thread



Seal method: Face seal
For G thread

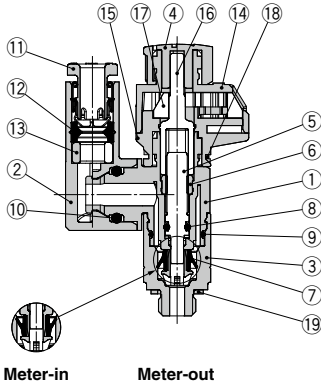


Component Parts

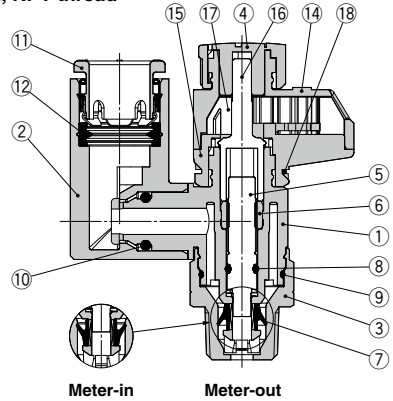
No.	Description	Material	Note
1	Body A	PBT	
2	Body B	Stainless steel	
3	Knob	POM	
4	Needle	PBT	
5	Needle guide	Stainless steel	
6	U-seal	HNBR	
7	O-ring	NBR	
8	O-ring	NBR	
9	Cassette	—	
10	Seal	NBR	
11	Bonnet A	POM	
12	Bonnet B	POM	
13	Gear	POM	
14	Indicator gear	POM	
15	Clip	Stainless steel	
16	Gasket	NBR/Stainless steel	
17	Seal	NBR	

Construction: Universal Type

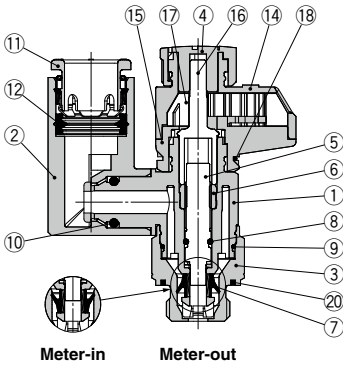
Seal method: Gasket seal
For M5, 10-32UNF



Seal method: Sealant
For R, NPT thread



Seal method: Face seal
For G thread



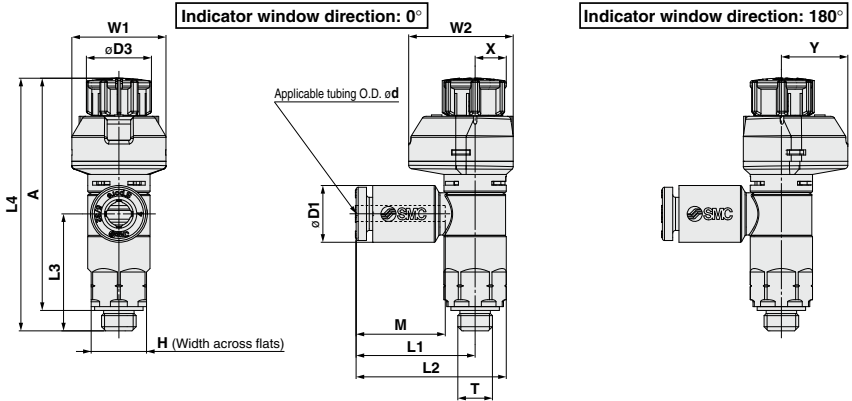
Component Parts

No.	Description	Material	Note
1	Body A	PBT	
2	Elbow body	PBT	
3	Body B	Stainless steel	
4	Knob	POM	
5	Needle	PBT	
6	Needle guide	Stainless steel	
7	U-seal	HNBR	
8	O-ring	NBR	
9	O-ring	NBR	
10	O-ring	NBR	
11	Cassette		
12	Seal	NBR	
13	Spacer	PBT	ø3.2 and ø1/8" only
14	Bonnet A	POM	
15	Bonnet B	POM	
16	Gear	POM	
17	Indicator gear	POM	
18	Clip	Stainless steel	
19	Gasket	NBR/Stainless steel	
20	Seal	NBR	

AS-FSG Series

Dimensions: Elbow Type

Seal method: Gasket seal
For M5, 10-32UNF



Metric Size

Model	d	T	H	D1	D3	L1	L2	L3	L4*1		A*2		M	W1	W2	X	Y	Weight [g]
									Unlocked	Locked	Unlocked	Locked						
AS12□1FSG□-M5-02	2	M5 x 0.8 10/32UNF	8	5.8	15.8	20.3	16.9	39	36.5	35	33.5	11.9	13.6	15.1	5.5	9.6	7	
AS12□1FSG□-U10/32-02				7.2														
AS12□1FSG□-M5-23	3.2			9.4	17.2	21.7	16.9	11.9										
AS12□1FSG□-U10/32-23				8.2														
AS12□1FSG□-M5-04	4			10.4	18.6	23.1	16.5	13.3										
AS12□1FSG□-U10/32-04				8.2														
AS12□1FSG□-M5-06	6	10.4	18.6	23.1	16.5	13.3												
AS12□1FSG□-U10/32-06		8.2																

*1 Reference dimensions

*2 Reference dimensions of threads after installation

Inch Size

Model	d	T	H	D1	D3	L1	L2	L3	L4*1		A*2		M	W1	W2	X	Y	Weight [g]
									Unlocked	Locked	Unlocked	Locked						
AS12□1FSG□-M5-01	1/8"	M5 x 0.8 10/32UNF	8	7.2	9.4	17.2	21.7	16.9	39	36.5	35	33.5	13.3	13.6	15.1	5.5	9.6	7
AS12□1FSG□-U10/32-01				8.2														
AS12□1FSG□-M5-03	5/32"			11.2	18.6	23.1	16.5	13.3										
AS12□1FSG□-U10/32-03				8.2														
AS12□1FSG□-M5-07	1/4"			11.2	18.6	23.1	16.5	13.3										
AS12□1FSG□-U10/32-07				8.2														

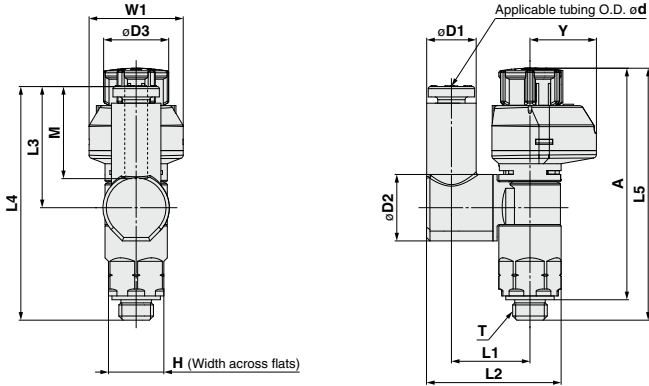
*1 Reference dimensions

*2 Reference dimensions of threads after installation



Dimensions: Universal Type

Seal method: Gasket seal
For M5, 10-32UNF



Metric Size

Model	d	T	H	D1	D2	D3	L1	L2	L3	L4	L5 ^{*1}		A ^{*2}		M	W1	Y	Weight [g]
											Unlocked	Locked	Unlocked	Locked				
AS13□1FSG1-M5-23	3.2	M5 x 0.8 10/32UNF	8	7.2	9.6	9.4	11.6	19.4	17.5	33.8	39	36.5	35	33.5	13.3	13.6	9.6	7
AS13□1FSG1-U10/32/23				8.2														
AS13□1FSG1-M5-04	4			11.5			19.8											
AS13□1FSG1-U10/32-04	6			10.4			20.9	20.4	36.6									8
AS13□1FSG1-M5-06																		
AS13□1FSG1-U10/32-06																		

*1 Reference dimensions

*2 Reference dimensions of threads after installation

Inch Size

Model	d	T	H	D1	D2	D3	L1	L2	L3	L4	L5 ^{*1}		A ^{*2}		M	W1	Y	Weight [g]
											Unlocked	Locked	Unlocked	Locked				
AS13□1FSG1-M5-01	1/8	M5 x 0.8 10/32UNF	8	7.2	9.4	9.4	11.6	19.4	17.5	33.8	39	36.5	35	33.5	13.3	13.6	9.6	7
AS13□1FSG1-U10/32-01				8.2														
AS13□1FSG1-M5-03	5/32			11.5			19.8											
AS13□1FSG1-U10/32-03	1/4			11.2			20.9	20.4	36.6									8
AS13□1FSG1-M5-07																		
AS13□1FSG1-U10/32-07																		

*1 Reference dimensions

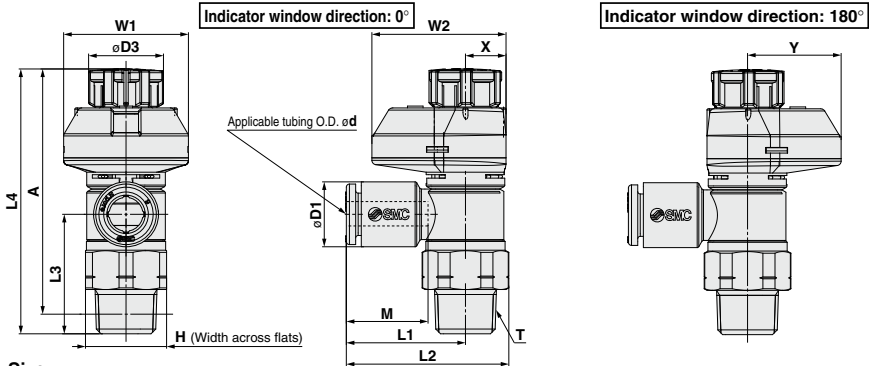
*2 Reference dimensions of threads after installation

AS-FSG Series

Dimensions: Elbow Type

Seal method: Sealant

For R, NPT thread



Metric Size

Model	d	T (R, NPT)	H	D1	D3	L1	L2	L3	L4*1		A*2		M	W1	W2	X	Y	Weight [g]			
									Unlocked	Locked	Unlocked	Locked									
AS22□1FSG□-01-23 (S)	3.2	1/8	13 (12.7)	7.2	12	19.1	26.2	19.1	43.9	42.4	40.8	39.3	13.3	20	21.5	6.5	15	13 (13)			
AS22□1FSG□-01-04 (S)	4			8.2														14 (13)			
AS22□1FSG□-01-06 (S)	6			10.4														15 (14)			
AS22□1FSG□-01-08 (S)	8			13.2														16 (15)			
AS22□1FSG□-01-10 (S)	10	15.9	25.3	32.4	16 (15)																
AS22□1FSG□-02-23 (S)	3.2	1/4	17 (17.5)	7.2	13	20.9	30.2 (30.3)	22.6	49.7	48.3	44.2	42.8	13.3	21.5	24	7.8	16.2	23 (24)			
AS22□1FSG□-02-04 (S)	4			8.2														24 (25)			
AS22□1FSG□-02-06 (S)	6			10.4														25 (26)			
AS22□1FSG□-02-08 (S)	8			13.2														26 (25)			
AS22□1FSG□-02-10 (S)	10	15.9	26.9	36.2 (36.3)	25 (26)																
AS32□1FSG□-02-06 (S)	6	1/4	19	10.4	16.6	21.8	32.1	36.4	63.1	61.7	57.9	56.5	13.3	24.5	28.5	9.3	19.2	47 (48)			
AS32□1FSG□-02-08 (S)	8			13.2														33	47 (48)		
AS32□1FSG□-02-10 (S)	10			15.9														26.7	37	35.7	
AS32□1FSG□-02-12 (S)	12			18.5														29.7	40	34.5	
AS32□1FSG□-03-06 (S)	6	3/8	19	10.4	16.6	21.8	32.1	28.7	55.4	54	50.2	48.8	13.3	24.5	28.5	9.3	19.2	38 (39)			
AS32□1FSG□-03-08 (S)	8			13.2														22.7	33	14.2	
AS32□1FSG□-03-10 (S)	10			15.9														26.7	37	28	15.6
AS32□1FSG□-03-12 (S)	12			18.5														29.7	40	26.8	17
AS42□1FSG□-04-10 (S)	10	1/2	24 (23.8)	15.9	18.8	27.4	40.3 (40.2)	36.2	64.1	62.5	57	55.4	15.6	26	29	10	19	62 (61)			
AS42□1FSG□-04-12 (S)	12			18.5														30.8	43.7 (43.6)	35.1	64 (63)
AS42□1FSG□-04-16 (S)	16			23.8														34.8	47.7 (47.6)	32.7	68 (67)

*1 Reference dimensions *2 Reference dimensions of threads after installation * The values in () are for NPT thread.

Inch Size

Model	d	T (R, NPT)	H	D1	D3	L1	L2	L3	L4*1		A*2		M	W1	W2	X	Y	Weight [g]			
									Unlocked	Locked	Unlocked	Locked									
AS22□1FSG□-01-01 (S)	1/8"	1/8	13 (12.7)	7.2	12	19.1	26.2	19.1	43.9	42.4	40.8	39.3	13.3	20	21.5	6.5	15	13 (13)			
AS22□1FSG□-01-03 (S)	5/32"			8.2														14 (13)			
AS22□1FSG□-01-07 (S)	1/4"			11.2														20.8	27.9	15 (14)	
AS22□1FSG□-01-09 (S)	5/16"			13.2														22.4	29.5	16 (15)	
AS22□1FSG□-02-01 (S)	1/8"	1/4	17 (17.5)	7.2	13	20.9	30.2 (30.3)	22.6	49.7	48.3	44.2	42.8	13.3	21.5	24	7.8	16.2	23 (24)			
AS22□1FSG□-02-03 (S)	5/32"			8.2														24 (24)			
AS22□1FSG□-02-07 (S)	1/4"			11.2														23.4	32.7 (32.8)	24 (24)	
AS22□1FSG□-02-09 (S)	5/16"			13.2														23.9	33.2 (33.3)	25 (25)	
AS22□1FSG□-02-11 (S)	3/8"	15.5	26.4	35.7 (35.8)	26 (26)																
AS32□1FSG□-02-07 (S)	1/4"	3/8	19	11.2	16.6	21.8	32.1	36.4	63.1	61.7	57.9	56.5	13.3	24.5	28.5	9.3	19.2	47 (48)			
AS32□1FSG□-02-09 (S)	5/16"			13.2														22.7	33	14.2	
AS32□1FSG□-02-11 (S)	3/8"			15.5														26.7	37	35.9	15.6
AS32□1FSG□-03-07 (S)	1/4"			11.2														21.8	32.1	28.7	13.3
AS32□1FSG□-03-09 (S)	5/16"	3/8	19	13.2	16.6	21.8	33	28.7	55.4	54	50.2	48.8	13.3	24.5	28.5	9.3	19.2	38 (39)			
AS32□1FSG□-03-11 (S)	3/8"			15.5														26.7	37	28.2	15.6
AS42□1FSG□-04-11 (S)	3/8"			15.5														27.4	40.3 (40.2)	36.2	64 (63)
AS42□1FSG□-04-13 (S)	1/2"			19.3														30.9	43.8 (43.7)	34.7	68 (67)

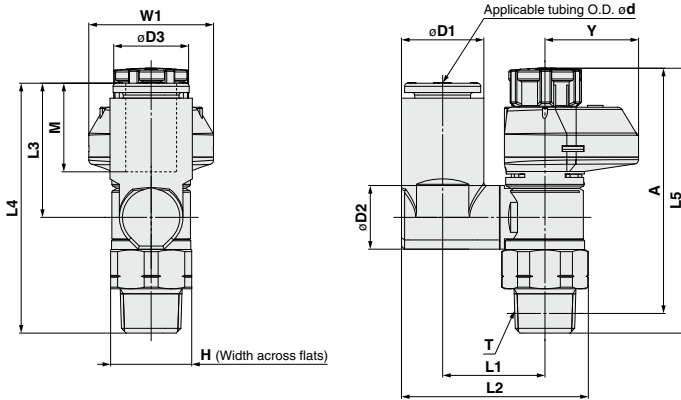
*1 Reference dimensions *2 Reference dimensions of threads after installation * The values in () are for NPT thread.

Stainless Steel Type Speed Controller with Indicator **AS-FSG Series**



Dimensions: **Universal Type**

Seal method: Sealant
For R, NPT thread



Metric Size

Model	d	T	H	D1	D2	D3	L1	L2	L3	L4	L5		A		M	W1	Y	Weight [g]
											Unlocked	Locked	Unlocked	Locked				
AS23□1FSG1-01-23 (S)	3.2			7.2			13.3	24	17.5	36								14
AS23□1FSG1-01-04 (S)	4	1/8	13 (12.7)	8.2	9.6	12	13.9	25.1	20.4	38.8	43.9	42.4	40.8	39.3	13.3	21.5	16.2	15
AS23□1FSG1-01-06 (S)	6			10.4			16.4	30.1										16
AS23□1FSG1-01-08 (S)	8			13.2	10.2		16.4	30.1	21.5	40					14.2			16
AS23□1FSG1-01-09 (S)	4		8.2			16.5	29.9	17.5	40.1							13.3		
AS23□1FSG1-02-06 (S)	6	1/4	17 (17.5)	11.2	12.9	13	19	33.8	21.4	43.9	49.7	48.3	44.2	42.8	24.5	19.2	15.6	26
AS23□1FSG1-02-08 (S)	8			13.2			34.9	23.5	46	17								
AS23□1FSG1-02-10 (S)	10			15.9			20.9	38.1	24.7	47.3					17			28
AS33□1FSG1-02-06 (S)	6			11.2	12.9	16.6	20.2	36	21.4	57.8					13.3			49
AS33□1FSG1-02-08 (S)	8		13.2				20.2	37.1	23.5	59.9							14.2	
AS33□1FSG1-02-10 (S)	10	1/4	19	15.9	17.4	23	41.2	26.1	62.5	63.1	61.7	57.9	56.5	24.5	19.2	15.6	53	
AS33□1FSG1-02-12 (S)	12			18.5			42.5	28.3	64.7							17		
AS33□1FSG1-03-06 (S)	6			10.4	12.9	16.6	20.2	36	21.4	50.1					13.3			41
AS33□1FSG1-03-08 (S)	8		13.2				20.2	37.1	23.5	52.2							14.2	
AS33□1FSG1-03-10 (S)	10	3/8	19	15.9	17.4	23	41.2	26.1	54.8	55.4	54	50.2	48.8	24.5	19.2	15.6	45	
AS33□1FSG1-03-12 (S)	12			18.5			42.5	28.3	57							17		
AS43□1FSG1-04-10 (S)	10	1/2	24 (23.8)	15.9	17.4	18.8	25.6	46.4	26.1	61.2	64.1	62.5	57	55.4	26	19	15.6	69
AS43□1FSG1-04-12 (S)	12			18.5			21	26.2	48.3	28.3							63.4	17

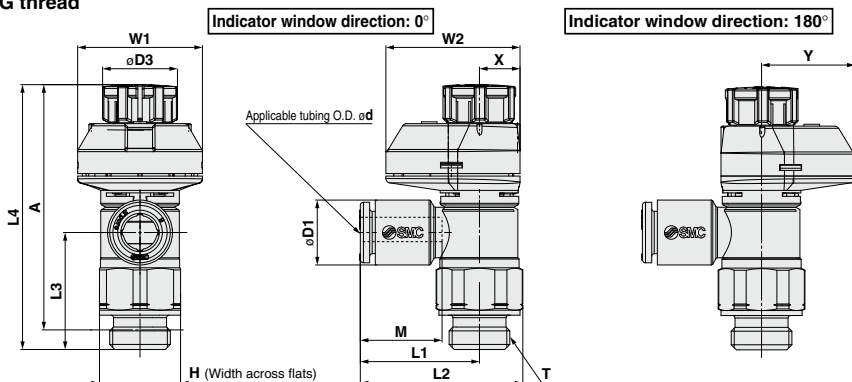
Inch Size

Model	d	T	H	D1	D2	D3	L1	L2	L3	L4	L5		A		M	W1	Y	Weight [g]
											Unlocked	Locked	Unlocked	Locked				
AS23□1FSG1-01-01 (S)	1/8			7.2			13.3	24	17.5	36								14
AS23□1FSG1-01-03 (S)	5/32	1/8	13 (12.7)	8.2	9.6	12	13.9	25.1	20.2	38.7	43.9	42.4	40.8	39.3	13.3	21.5	16.2	15
AS23□1FSG1-01-07 (S)	1/4			11.2			16.4	29.1										40
AS23□1FSG1-01-09 (S)	5/16			13.2	10.2		16.4	30.1	21.5	40					14.2			16
AS23□1FSG1-02-03 (S)	5/32		8.2			16.5	29.9	17.5	40.1							13.3		
AS23□1FSG1-02-07 (S)	1/4	1/4	17 (17.5)	11.2	12.9	13	19	33.8	21.4	43.9	49.3	48.3	44.2	42.8	24.5	19.2	15.6	26
AS23□1FSG1-02-09 (S)	5/16			13.2			34.9	23.5	46	17								
AS23□1FSG1-02-11 (S)	3/8			15.9			20.9	38.1	24.7	47.3					15.6			28
AS33□1FSG1-02-07 (S)	1/4			11.2	12.9	16.6	20.2	36	21.4	57.8					13.3			49
AS33□1FSG1-02-09 (S)	5/16		13.2				20.2	37.1	23.5	59.9							14.2	
AS33□1FSG1-02-11 (S)	3/8	3/8	19	15.9	17.4	23	41.2	26.1	62.5	63.1	61.7	57.9	56.5	24.5	19.2	15.6	53	
AS33□1FSG1-03-07 (S)	1/4			18.5			42.5	28.3	57							17		
AS33□1FSG1-03-09 (S)	5/16	3/8	19	13.2	12.9	16.6	20.2	36	21.4	50.1					13.3			41
AS33□1FSG1-03-11 (S)	3/8			15.9			17.4	23	41.2	26.1	54.8							14.2
AS43□1FSG1-04-11 (S)	3/8	1/2	24 (23.8)	15.9	17.4	18.8	25.6	46.4	26.1	61.2	64.1	62.5	57	55.4	26	19	15.6	69
AS43□1FSG1-04-13 (S)	1/2			18.5			21	26.2	48.3	28.3							63.4	17

AS-FSG Series

Dimensions: Elbow Type

Seal method: Face seal
For G thread



Metric Size

Model	d	T	H	D1	D3	L1	L2	L3	L4 ^{*1}		A ^{*2}		M	W1	W2	X	Y	Weight [g]
									Unlocked	Locked	Unlocked	Locked						
AS22□1FSG□G01-23	3.2			7.2														
AS22□1FSG□G01-04	4			8.2														
AS22□1FSG□G01-06	6	1/8	13	10.4	12	19.1	26.1	18.8	43.8	42.4	38.3	36.9	13.3	20	21.5	6.5	15	14
AS22□1FSG□G01-08	8			13.2		22.4	29.4											
AS22□1FSG□G01-10	10			15.9		25.3	32.3						15.6					15
AS22□1FSG□G02-23	3.2			7.2														
AS22□1FSG□G02-04	4			8.2														
AS22□1FSG□G02-06	6	1/4	17	10.4	13	23.4	32.5	22.6	49.7	48.3	43.2	41.8	13.3	21.5	24	7.8	16.2	26
AS22□1FSG□G02-08	8			13.2		23.9	32.6											
AS22□1FSG□G02-10	10			15.9		26.9	36						15.6					27
AS32□1FSG□G02-06	6			10.4		21.8	33	36.4	63.1	61.7	54.6	53.2	13.3	24.5	28.5	9.3	19.2	55
AS32□1FSG□G02-08	8	1/4	21	13.2	16.6	22.7	33.9											
AS32□1FSG□G02-10	10					15.9		26.7	37.9	35.7					15.6			
AS32□1FSG□G02-12	12			18.5		29.7	40.9	34.5					17					59
AS32□1FSG□G03-06	6			10.4		21.8	33	28.7	55.4	54	47.9	46.5	13.3	24.5	28.5	9.3	19.2	45
AS32□1FSG□G03-08	8	3/8	21	13.2	16.6	22.7	33.9											
AS32□1FSG□G03-10	10					15.9		26.7	37.9	28					15.6			
AS32□1FSG□G03-12	12			18.5		29.7	40.9	26.8					17					49
AS42□1FSG□G04-10	10			15.9		27.4	41.8	36.2					15.6					80
AS42□1FSG□G04-12	12	1/2	27	18.5	18.8	30.8	45.2	35.1	64.1	62.5	55.1	53.5	17	26	29	10	19	82
AS42□1FSG□G04-16	16			23.8		34.8	49.2	32.7										

*1 Reference dimensions

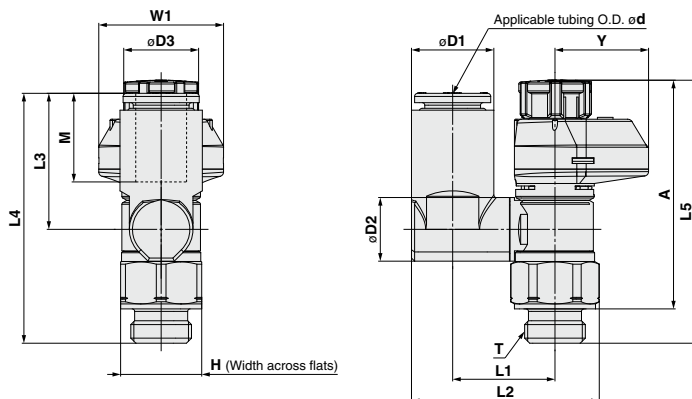
*2 Reference dimensions of threads after installation

Stainless Steel Type Speed Controller with Indicator **AS-FSG Series**



Dimensions: **Universal Type**

Seal method: Face seal
For G thread



Metric Size

Model	d	T	H	D1	D2	D3	L1	L2	L3	L4	L5		A		M	W1	Y	Weight [g]	
											Unlocked	Locked	Unlocked	Locked					
AS23□1FSG1-G01-23	3.2	1/8	13	7.2	9.6	12	13.2	24	17.5	35.7	43.8	42.4	38.3	36.9	13.3	21.5	16.2	14	
AS23□1FSG1-G01-04	4			8.2			13.9	25.1	26.2	20.4								38.5	15
AS23□1FSG1-G01-06	6			10.4			16.4	26.2	20.4	38.5								15	
AS23□1FSG1-G01-08	8	1/4	17	13.2	12.9	13	16.4	30.1	21.5	39.7	49.7	48.3	43.2	41.8	14.2	24.5	19.2	16	
AS23□1FSG1-G02-04	4			8.2			16.5	29.9	17.5	40.1								27	
AS23□1FSG1-G02-06	6			10.4			19	33.8	21.4	43.9								29	
AS23□1FSG1-G02-08	8			13.2			19	34.9	23.5	46								30	
AS23□1FSG1-G02-10	10			15.9			20.9	38.1	24.7	47.3								31	
AS33□1FSG1-G02-06	6			10.4			20.2	36.1	21.4	57.8								56	
AS33□1FSG1-G02-08	8	13.2	20.2	38	23.5	59.9	57												
AS33□1FSG1-G02-10	10	15.9	23	42.2	26.1	58	60												
AS33□1FSG1-G02-12	12	18.5	23	43.5	28.3	59.9	63												
AS33□1FSG1-G03-06	6	3/8	21	10.4	12.9	16.6	20.2	36.6	21.4	50.1	55.4	54	47.9	46.5	13.3	24.5	19.2	48	
AS33□1FSG1-G03-08	8			13.2			20.2	38	23.5	52.2								49	
AS33□1FSG1-G03-10	10			15.9			23	42.2	28.1	50.3								53	
AS33□1FSG1-G03-12	12			18.5			23	43.5	28.3	52.2								54	
AS43□1FSG1-G04-10	10			15.9			25.6	47.9	26.1	61.2								86	
AS43□1FSG1-G04-12	12			17.4			26.2	49.8	28.3	63.4								90	

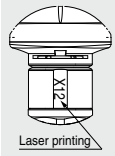
AS-FSG Series

Made to Order

Please contact SMC for detailed dimensions, specifications and lead times.

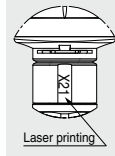


1 Lubricant: Vaseline -X12



Example) AS2201FSG-01-04S-X12

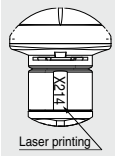
2 Grease-free (Seal: Fluorine-coated) + Restrictor (Without check valve) -X21



Example) AS2201FSG-01-04S-X21

- Note 1) Not particle-free
- Note 2) This product is a restrictor without a check valve (no control direction). Be aware that all part numbers are for a meter-out type; there is no part number for a meter-in type.
- Note 3) Only the needle and O-ring are fluorine-coated.

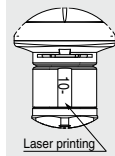
3 Restrictor (Without check valve) -X214



Example) AS2201FSG-01-04S-X214

- Note) This product is a restrictor without a check valve (no control direction). Be aware that all part numbers are for a meter-out type; there is no part number for a meter-in type.

4 Clean Series 10-



Example) 10-AS2201FSG-01-04S

- Note 1) Fluorine grease is used.
- Note 2) The cleanliness class (ISO class) is 5.