

5 Port Direct Operated Solenoid Valve

Series VS4□10

Metal Seal

Model

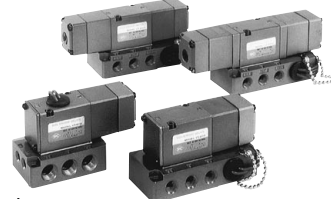
Number of positions	Symbol	Model	Port size Rc (Nominal size)	Flow characteristics						Max. (1) operating cycle (cpm)		Response time (ms)		Weight (kg)	
				P → A/B			A/B → EA/EB			AC	DC	AC	DC	AC	DC
				C [dm ³ /(s·bar)]	b	Cv	C [dm ³ /(s·bar)]	b	Cv						
2 (Single)		VS4110-01	1/8 (6A)	3.2	0.42	0.86	3.2	0.37	0.80	1,200	180	13 or less	45 or less	0.7	0.82
		VS4110-02	1/4 (8A)	4.0	0.17	0.91	3.4	0.47	0.89						
		VS4110-03	3/8 (10A)	4.1	0.19	0.96	3.9	0.35	1.00						
2 (Double)		VS4210-01	1/8 (6A)	3.2	0.42	0.86	3.2	0.37	0.80	1,200	180	13 or less	40 or less	0.9	1.14
		VS4210-02	1/4 (8A)	4.0	0.17	0.91	3.4	0.47	0.89						
		VS4210-03	3/8 (10A)	4.1	0.19	0.96	3.9	0.35	1.00						
3 (3 position)		VS4310-01	1/8 (6A)	3.1	0.37	0.80	3.2	0.35	0.82	360	180	15 or less	45 or less	0.98	1.22
		VS4310-02	1/4 (8A)	3.8	0.23	0.89	3.6	0.33	0.89						
		VS4310-03	3/8 (10A)	4.2	0.23	1.00	3.8	0.32	0.99						
		VS4410-01	1/8 (6A)	3.1	0.28	0.77	3.0	0.28	0.75	360	180	15 or less	45 or less	0.98	1.22
		VS4410-02	1/4 (8A)	3.9	0.22	0.94	3.5	0.27	0.84						
		VS4410-03	3/8 (10A)	4.0	0.26	1.00	3.7	0.32	0.94						

Note 1) Min. operating frequency is once every 30 days. (Based on JIS B 8375.)

Note 2) Based on JIS B 8375-1981. (At the pressure of 0.5 MPa, without surge suppressor)

Note 3) Electrical entry: From sub-plate

Note 4) "Note 1" and "Note 2" are with controlled clean air.



Caution

Be sure to read before handling. Refer to front matter 53 for Safety Instructions and pages 3 to 8 for 3/4" Port Solenoid Valve Precautions.

How to Calculate the Flow Rate

For obtaining the flow rate, refer to front matters 42 to 45.

Standard Specifications

Fluid	Air	
Operating pressure range	0 to 1.0 MPa	
Ambient and fluid temperature	-20 to 60°C*	
Manual override	Possible	
Electrical entry	Grommet, Conduit, DIN terminal, Conduit terminal	
Lubrication	Non-lube	Usable with non-lube
	Lubrication	Use turbine oil Class 1 (ISO VG32), if lubricated.
Impact/Vibration resistance (m/s ²)	150/50 (Note)	
Manifold	Possible	

* Use dry air (Dew point: -20°C or less). If using a lubricant, be sure to use a lubricant for low temperatures.
 Note) Impact resistance: No malfunction occurred when it is tested with a drop tester in the axial direction and at the right angles to the main valve and armature in both energized and de-energized states every once for each condition. (Values at the initial period)
 Vibration resistance: No malfunction occurred in a one-sweep test between 45 and 2000 Hz. Test was performed at both energized and de-energized states in the axial direction and at the right angles to the main valve and armature. (Values at the initial period)

Solenoid Specifications

Coil rated voltage	100, 200 VAC, 50/60 Hz; 24 VDC
Allowable voltage fluctuation	-15 to +10% of rated voltage
Coil insulation type	Class B or equivalent (130°C) (Note)

Note) Based on JIS C 4003

How to Order

Symbol

1	Single
2	Double
3	Closed center
4	Exhaust center

Thread type

NII	Rc	None
P	NPT	Manual override (With lock)
R	NPTF	With speed controller unit
F	G	

Option

NII	None
P	Manual override (With lock)
R	With speed controller unit

VS4 1 1 0 - 02 1 C

Piping

0	Side ported (Sub-plate)
1	Bottom ported (Sub-plate)
4	Without sub-plate

Port size

00	Without sub-plate
01	1/8
02	1/4
03	3/8 (Bottom ported cannot be selected.)

Coil rated voltage

1	100 VAC (50/60Hz)
2	200 VAC (50/60Hz)
3	110 VAC (50/60Hz)
4	220 VAC (50/60Hz)
5	24 VDC

For other rated voltages, please consult with SMC.

Electrical entry

U	Grommet	TZ	Conduit terminal. With surge voltage suppressor (With AXI 307-1-C)
UL	Grommet, With light (AC only)	TLZ	Conduit terminal. With light/surge voltage suppressor (With AXI 307-1-C; AC only)
C	Conduit	D	DIN terminal
CL	Conduit, With light (AC only)	DL	DIN terminal, With light
T	Conduit terminal	DZ	DIN terminal. With surge voltage suppressor
TL	Conduit terminal. With light (AC only)	DLZ	DIN terminal. With light/surge voltage suppressor

Series VS4□10

Apparent Power (Power Consumption)

Apparent power (VA) (Power consumption (W))	AC	Inrush	50Hz	51 VA (64 VA *)
			60Hz	45 VA (55 VA *)
		Holding	50Hz	17 VA (5.3/5.5 W)
			60Hz	11 VA (2.9/3.2 W)
Power consumption (W)	DC			5.5

* In the case of 3 position type.

Option Specifications

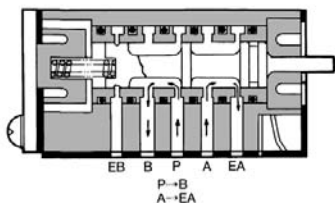
- Bottom ported (Sub-plate)
- Coil rated voltage (110/220 VAC, 12/100 VDC)

Enclosure (Based on JIS C 0920)

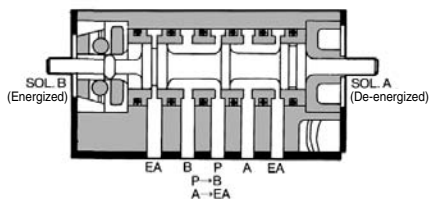
Electrical entry	Grommet (Sub-plate/ Valve body)	Conduit	DIN terminal	Conduit terminal
Dustproof	Standard	Standard	Standard	Standard
Dripproof	—	Option	Option	Option

Construction Principle

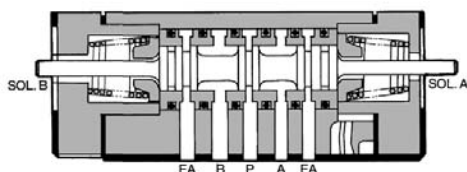
VS4110



VS4210



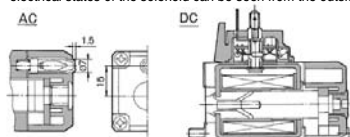
VS4310 (Closed center)



Accessory (Option)

1. Indicator light (AC)

When solenoid gets energized, indicator light illuminates, thus electrical status of the solenoid can be seen from the outside.



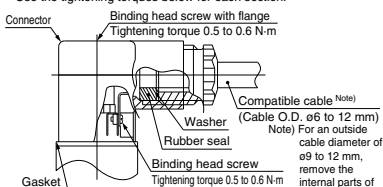
Note) There is polarity of (1) +, (2) -.

DIN terminal

Since internal connections are as shown below for the DIN terminal, make connections to the power supply accordingly.

Terminal no.	1	2
DIN terminal	+(-)	-(+)

- There is no polarity. (DC type with indicator light has polarity. ① +, ② -)
- Use compatible heavy duty cords with cable O.D. of ø6 to 12 mm.
- Use the tightening torques below for each section.



With rubber plug	Manual override		Applicable model
	Non-locking	With lock	
SC0003-□	SC0004B-□	SC0004A-□	VS4110 VS4210
SC0013-□	SC0014B-□	SC0014A-□	VS4310 VS4410

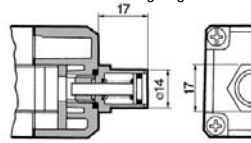
* Indicate the voltage to be used.
(100 VAC: 01, 200 VAC: 02)

2. Manual override

Remove rubber plug at the top of the solenoid cap to install manual override. Push the override with a screwdriver to the required stroke and the valve will shift. With the override in the same position, turn it to the right or left 90° and it will lock. Turn it back 90° to unlock.

Caution

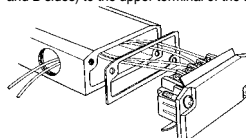
Be sure to unlock it before energizing the valve electrically.



Description	Part no.	Applicable model	(In the case of a 2 position double solenoid valve, use a non-locking manual override because it has a locking function in the main valve.)
Manual override (With lock)	AC PB0111	VS4110 VS4310 VS4410	
Manual override (Non-locking)	AC PB0101	VS4210	
	DC PB0101-1	VS4210	

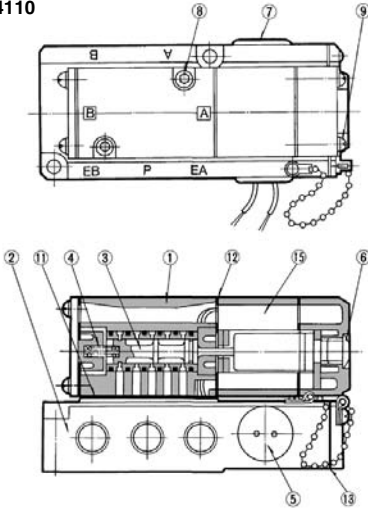
3. Terminal wiring

• Lead wire from the solenoid is connected to the lower terminal of the terminal block under the junction cover of sub-plate. Connect the lead wire of the power supply corresponding to the solenoid (single solenoid: A side/double solenoid: both A and B sides) to the upper terminal of the terminal block.

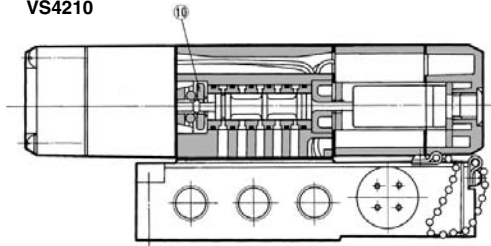


Construction

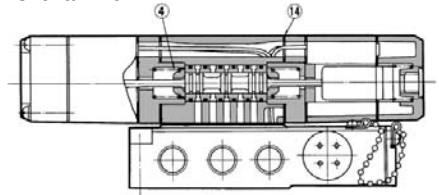
VS4110



VS4210



VS4310/4410



- VV061
- VV100
- V100
- S070
- VQD
- VQD-V
- VKF
- VK
- VT
- VS4**
- VS3

Sub-plate Assembly Part No.

Electrical entry	Part no.
C: Conduit	VS4010-CS- 01 02 03
T: Conduit terminal	VS4010-TS- 01 02 03
U: Grommet, D: DIN terminal	VS4010-S- 01 02 03

* Mounting bolt and gasket are not included.

Part No. for Mounting Bolt and Gasket

BG-VS4010

Component Parts

No.	Description	Material
1	Body	Aluminum die-casted
2	Sub-plate	Aluminum die-casted
3	Spool/Sleeve	Stainless steel
4	Spring	Piano wire
5	Rubber plug for wire	NBR
6	Plug for cap	NBR
7	Rubber plug	NBR
8	Mounting bolt	Carbon steel
9	Mounting screw	Carbon steel
10	Detent assembly	
11	Gasket	NBR
12	Gasket	NBR
13	Gasket	NBR
14	Gasket	NBR

⑮ Solenoid Capsule Assembly (With rubber plug)

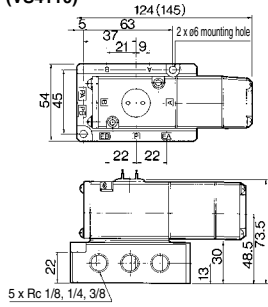
	Specifications	Part no.		
		VS4110/4210	VS4310/4410	
Standard	Grommet/Conduit	SCA001-□	SCA011-□	
	Conduit terminal			
Option	DIN terminal	SCAD001-□	SCAD011-□	
	With indicator light	AC	SCA003-□	SCA013-□
			Conduit terminal	
	With indicator light	AC	SCAD003-□	SCAD013-□
DC				

* Indicate the used voltage.(100 VAC: 01, 200 VAC: 02, 110 VAC: 03, 220 VAC: 04, 24 VDC: 52)

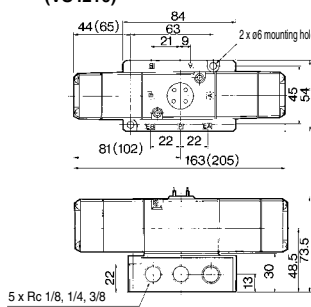
Series VS4□10

Dimensions

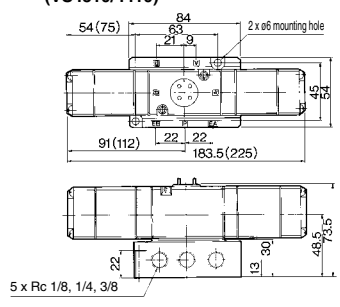
Grommet (VS4110)



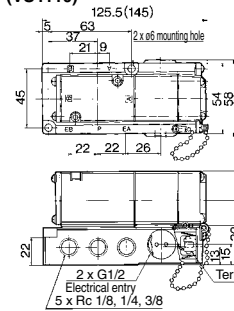
(VS4210)



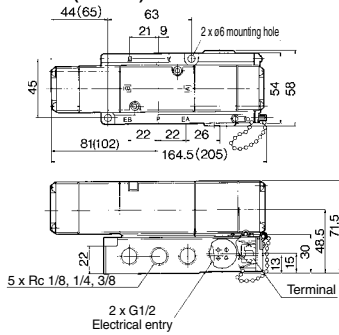
(VS4310/4410)



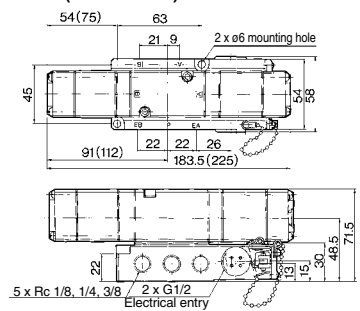
Conduit Conduit terminal (VS4110)



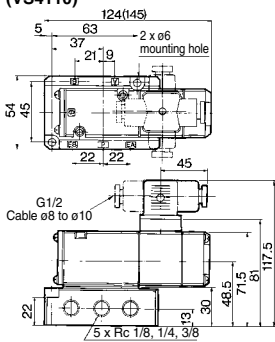
(VS4210)



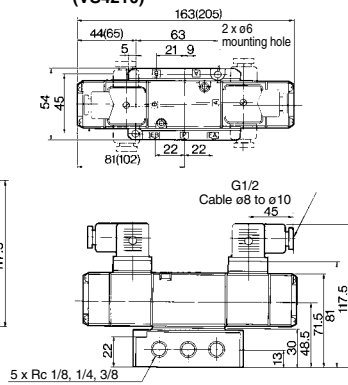
(VS4310/4410)



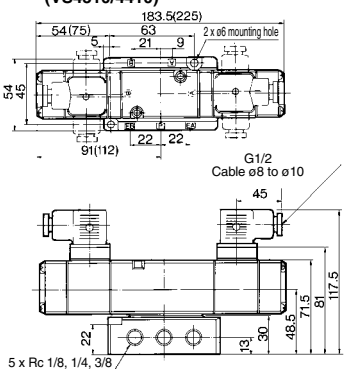
DIN terminal (VS4110)



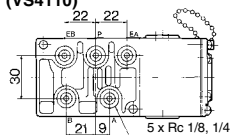
(VS4210)



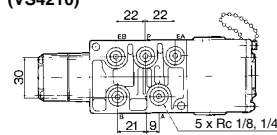
(VS4310/4410)



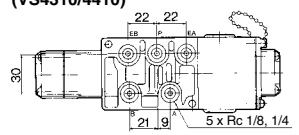
Bottom ported (VS4110)



(VS4210)

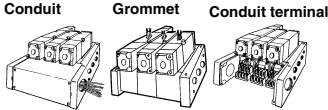


(VS4310/4410)



Series VVS410

Manifold Specifications



Specifications

Applicable valve	VS4110/4210/4310/4410
Valve stations	Max. 10 stations (Standard)
Accessory	With terminal [*] With interface regulator [*] With stop valve/With flow controls

* Option

Standard Piping Specifications

Type	Configuration	Port size Rc			Conduit [⊕] port size G
		P	A, B	EA, EB	
Common EXH		1/4, 3/8 (Side)	1/8, 1/4 (Side)	1/4, 3/8 (Side)	1, 1 1/4
Individual EXH		1/4, 3/8 (Side)	1/8, 1/4 (Side)	1/8, 1/4 (Bottom)	

* Optional piping: Individual SUP and different pressure SUP. But it will be the bottom porting specifications.
Note) Each port size will be a big size for standard. When the small size is desired, indicate separately.

How to Order

VVS41 0 - 05 SC 1 T - [] - []

Series VS4□10 Manifold

Porting specifications

Symbol	P	A, B	EA, EB
0	Side	Side	Side
1	Side	Bottom	Side
9	Other		

Electrical entry

Symbol	Electrical entry position
SC	Manifold
SU	Valve body

Stations

02	2stations
⋮	⋮
10	10stations

Symbol (passage)

Symbol	SUP	EXH
1	Common (side)	Common (side)
2	Common (side)	Individual (bottom)
3	Individual (bottom)	Common (side)
4	Individual (bottom)	Individual (bottom)
5	Dissimilar pressure	Common (side)
6	Dissimilar pressure	Individual (bottom)

Thread type

Nil	Rc
N	NPT
T	NPTF
F	G

Option (spacer)

Nil	None
R	With throttle valve

Accessory

Nil	None
T*	With terminal block

* Only SC type applicable.

⚠ Precautions

Be sure to read before handling. Refer to front matter 53 for Safety Instructions and pages 3 to 8 for 3/4/5 Port Solenoid Valve Precautions.

Mounting

⚠ Caution

- SUP port and EXH port are positioned on both sides of manifold block. Air can be supplied from either side; however, the unused port must be plugged in this case. When operating 6 or more valve stations within a manifold at the same time, take SUP air pressure from both sides and open EXH port to the atmosphere.
- When manifolding an exhaust center 3 position valve, use the individual EXH style manifold. (Back pressure may cause actuator to malfunction.)

