

# Vacuum Pad for Disk Adsorption

## ■ For adsorbing and transferring disks of digital household electric appliances (CD, DVD)

- For adsorbing circular components like CDs and DVDs
- The bellows mechanism in the pad helps to dampen the impact to workpieces.

## How to Order

ZP2 - Z1 - 001 - S



### • Pad material

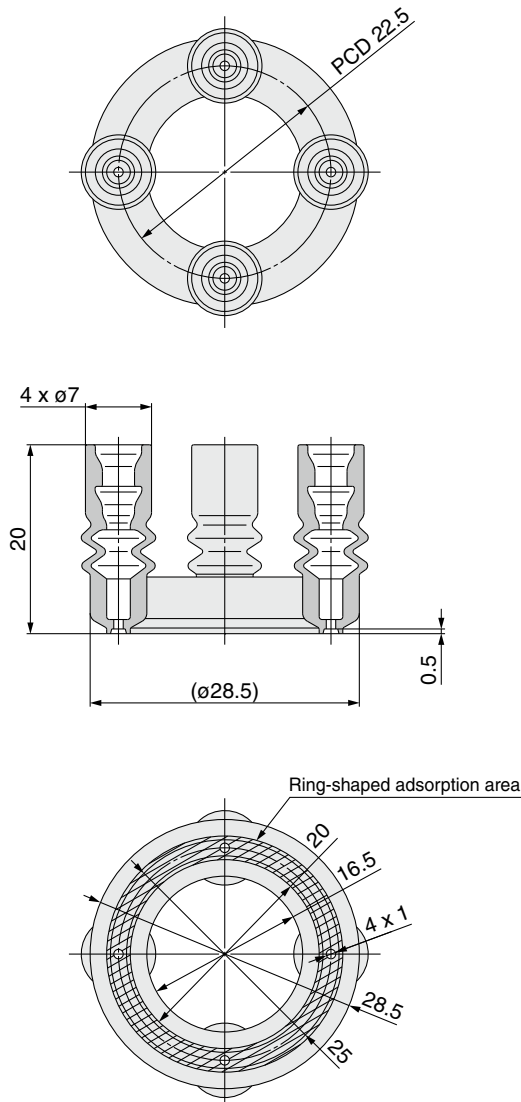
Symbol	Material
S	Silicone rubber*1 *2
GS	Conductive silicone rubber

\*1 Uses a material compliant with a dissolution test of the FDA (U.S. Food and Drug Administration) regulation 21CFR§177.2600 for "Rubber articles intended for repeated use."

\*2 Uses a material compliant with the standards for "Rubber apparatus (excluding baby drinking apparatus) and containers/packaging" (D3) (Partial revision: Japanese Ministry of Health, Labour, and Welfare Notification No. 595, 2012) in Section 3 "Apparatus and Containers/Packaging" of the Japan Food Sanitation Act, Article 18 "Specifications and Standards for Food and Food Additives, etc." (Japanese Ministry of Health and Welfare Notification No. 370, 1959)

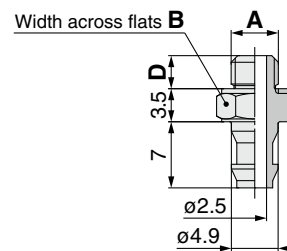
## Dimensions

ZP2-Z1-001-□□



ZPT1-A5/A6 is a recommended adapter.  
(Four adapters are necessary.)

### Adapter assembly unit



Part no. (With gasket): ZPT1-A5/A6

### Dimensions

Model	A	B	D	Gasket part no. (Single unit)	
ZPT1-A5	M5 x 0.8	7	3.5	10 pcs.*1	ZP-5G2
				100 pcs.*1	M-5G2
ZPT1-A6	M6 x 1	8	4.5	10 pcs.*1	ZP-6G2
				100 pcs.*1	M-6G

\*1 The gasket (single unit) sales unit is shown.

### Example of attachment

