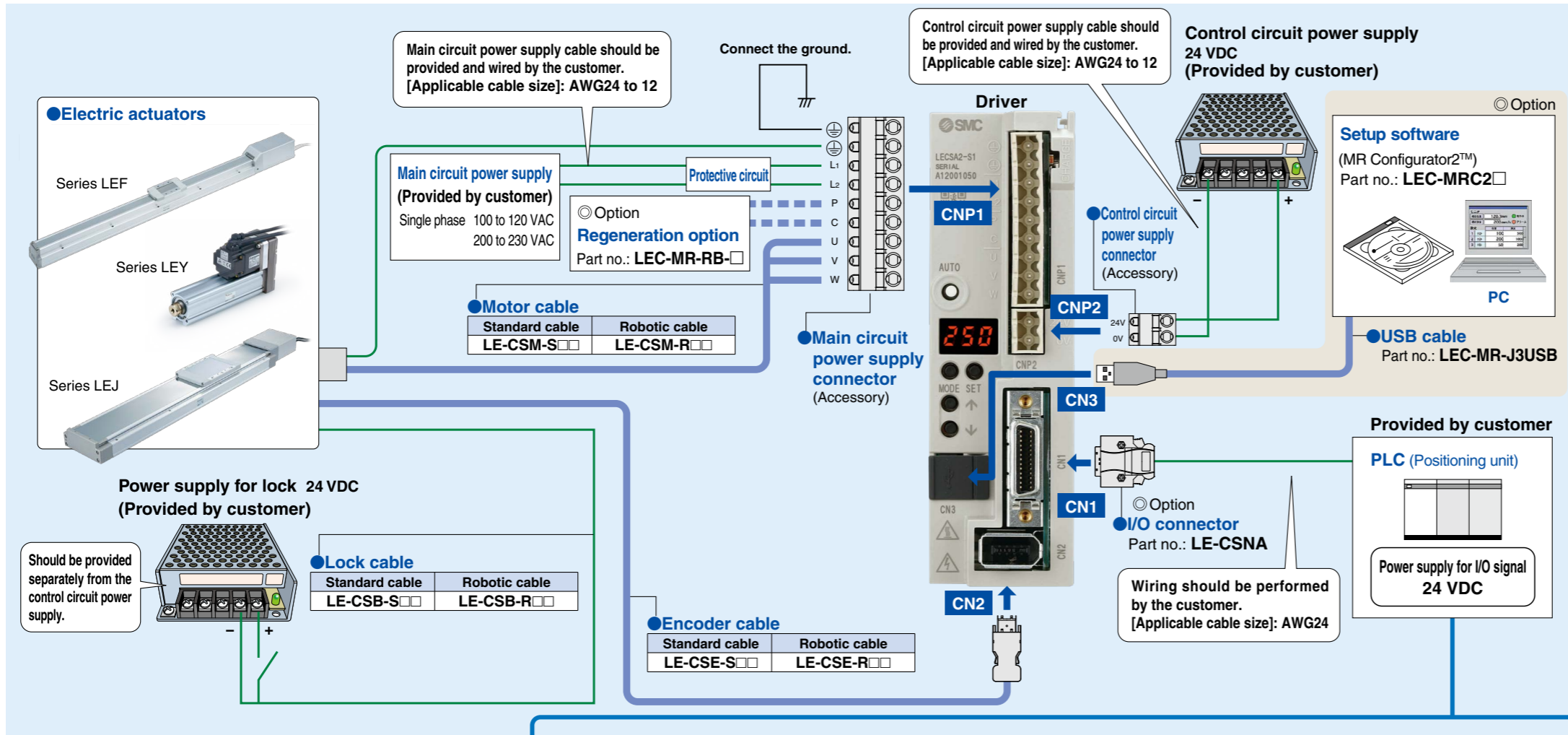


# Wiring Method for LECSA



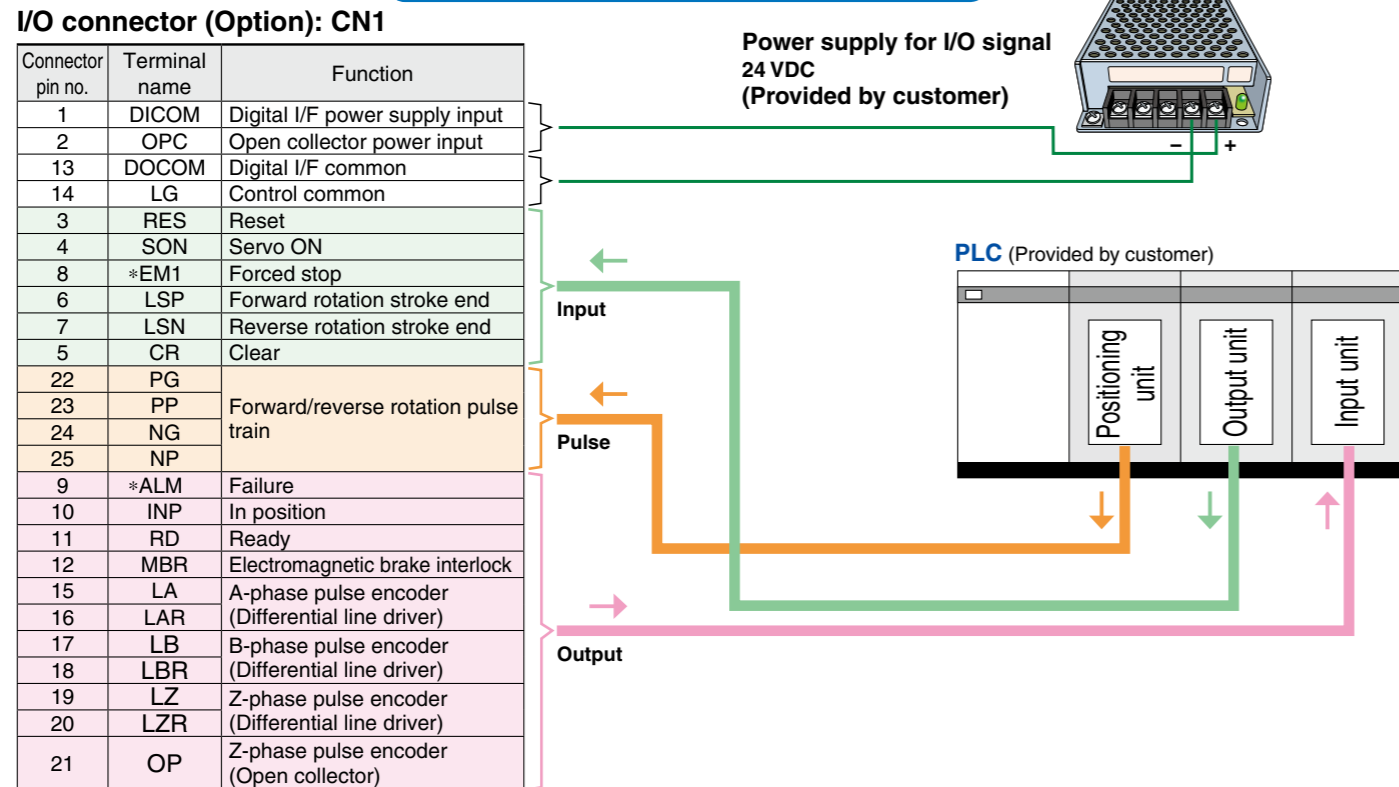
## Main Circuit Power Supply Connector (Accessory): CNP1

Terminal name	Function
Protective earth (PE)	Should be grounded by connecting the servo motor's earth terminal and the control panel's protective earth (PE).
L1, L2	Connect the main circuit power supply. LECSA1: Single phase 100 to 120 VAC, 50/60 Hz LECSA2: Single phase 200 to 230 VAC, 50/60 Hz
P, C	Terminal to connect regeneration option LECSA□-S1: Not connected at time of shipping. LECSA□-S3, S4: Connected at time of shipping. * When regeneration option is used for the LECSA□-S3/S4, remove the built-in regenerative resistor and its wirings.
U	Servo motor power (U)
V	Servo motor power (V)
W	Servo motor power (W)

## Control Circuit Power Supply Connector (Accessory): CNP2

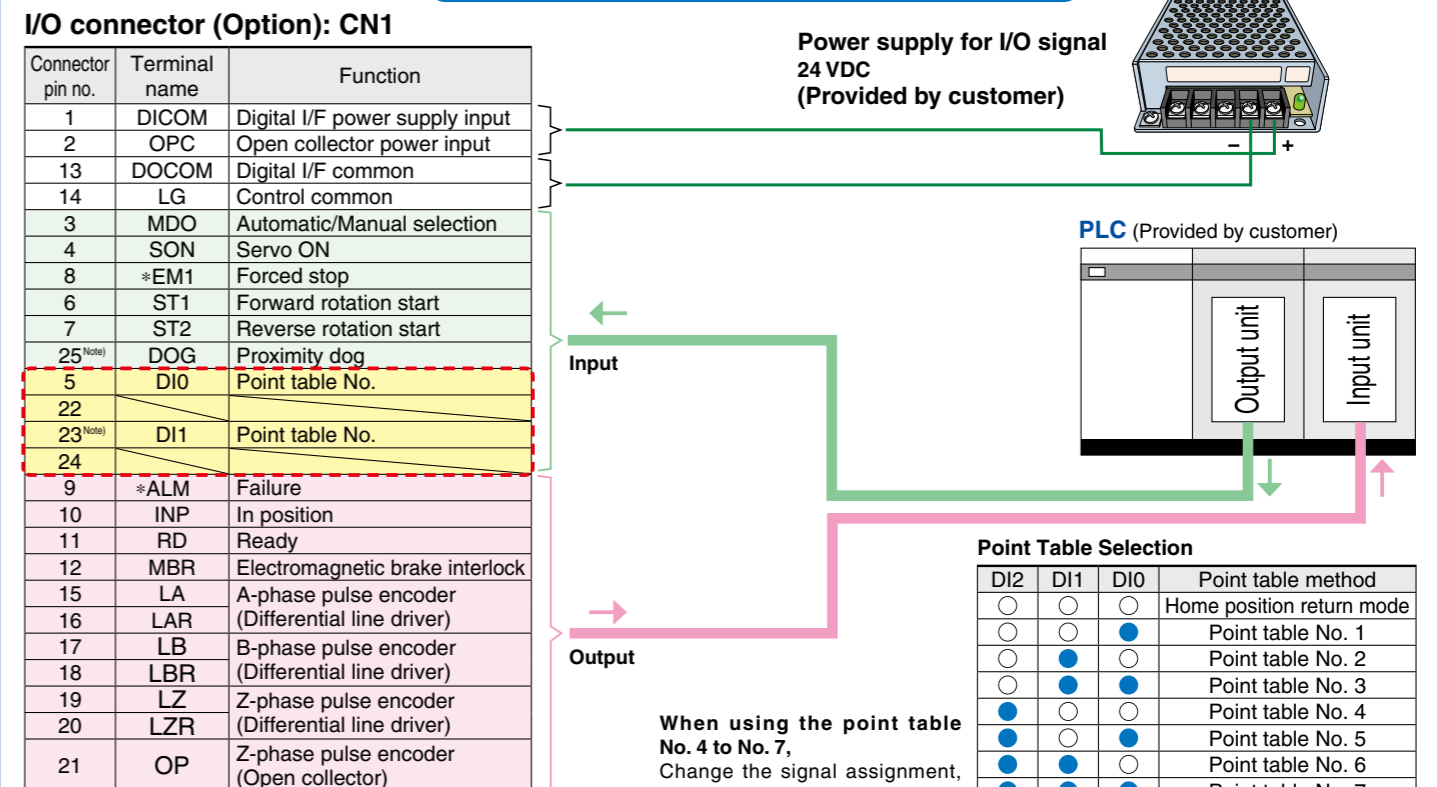
Terminal name	Function
24V	Control circuit power supply (24V)
0V	Control circuit power supply (0V)

## I/O Signal Wiring Example for Pulse Input Type



The "\*EM1" and "\*ALM" are the negative-true logic output. Signal assignments are those in the initial setting status.

## I/O Signal Wiring Example for Positioning Type



The "\*EM1" and "\*ALM" are the negative-true logic output. Signal assignments are those in the initial setting status.

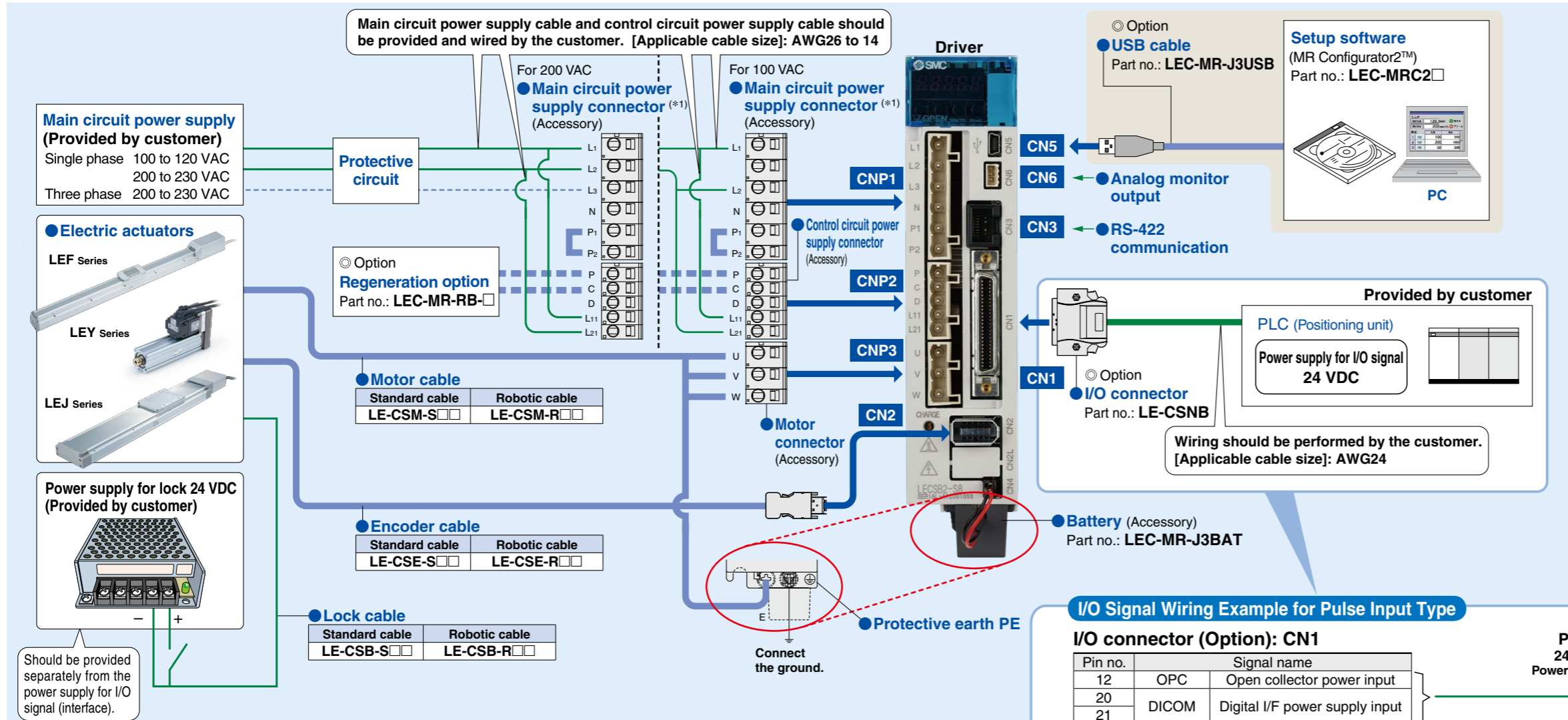
**Point Table Selection**

DI2	DI1	DI0	Point table method
○	○	○	Home position return mode
○	○	●	Point table No. 1
○	●	○	Point table No. 2
○	●	●	Point table No. 3
●	○	○	Point table No. 4
●	○	●	Point table No. 5
●	●	○	Point table No. 6
●	●	●	Point table No. 7

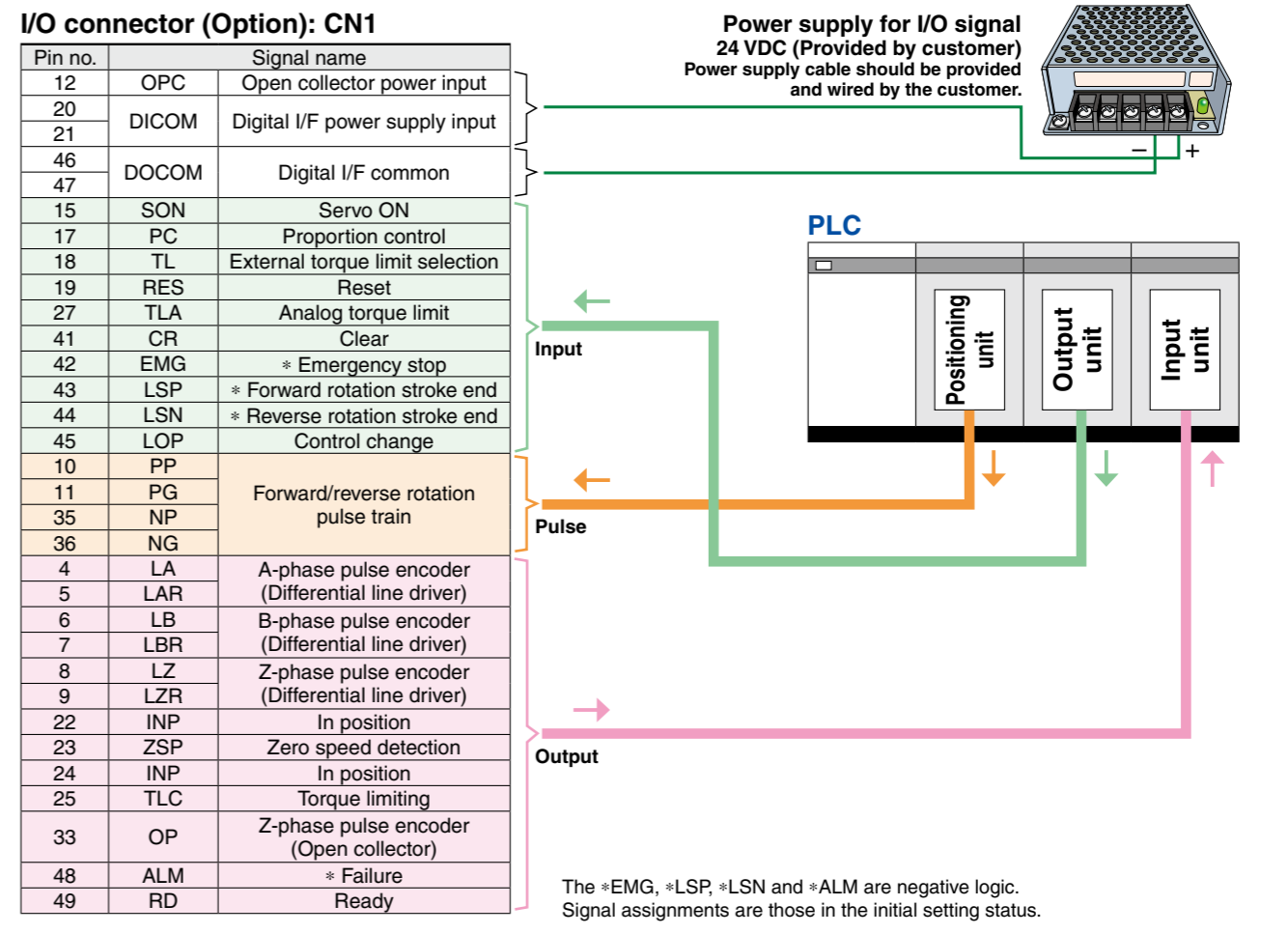
ON: ● OFF: ○

When using the point table No. 4 to No. 7, Change the signal assignment, and set it so that DI2 can be used.

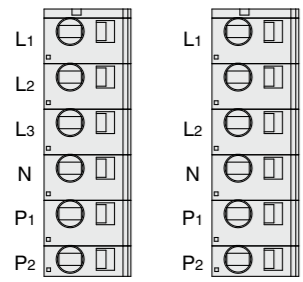
# Wiring Method for LECSB



## I/O Signal Wiring Example for Pulse Input Type



### For 200 VAC For 100 VAC



### Main Circuit Power Supply Connector (Accessory): CNP1

Terminal name	Function	Details
L1, L2, L3	Main circuit power supply (*1)	Connect the main circuit power supply. LECSB1: Single phase 100 to 120 VAC, 50/60 Hz Connection terminal: L1, L2 LECSB2: Single phase 200 to 230 VAC, 50/60 Hz Connection terminal: L1, L2 LECSB2: Three phase 200 to 230 VAC, 50/60 Hz Connection terminal: L1, L2, L3
N		Do not connect.
P1, P2		Connect between P1 and P2. (Connected at time of shipping.)

(\*1) The position of the connection terminal L2 is different between the LECSB1 and LECSB2.

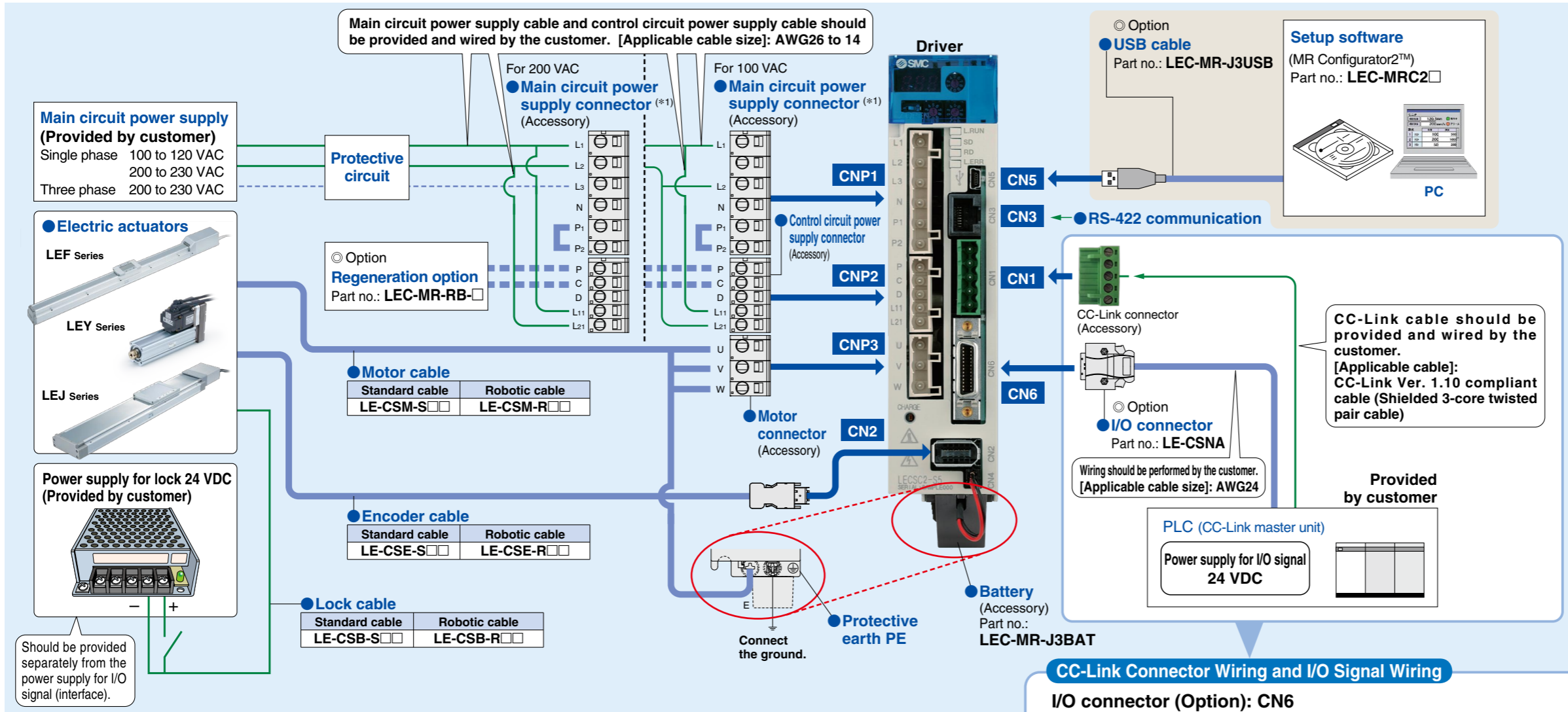
### Control Circuit Power Supply Connector (Accessory): CNP2

Terminal name	Function	Details
P, C, D	Regeneration option	Terminal to connect regeneration option. When the built-in regenerative resistor of the driver is used, connect between P and D. (Connected at time of shipping.) When regeneration option is connected, remove the wiring between P and D, and connect the regeneration option to P and C.
L11, L21	Control circuit power supply	Connect the control circuit power supply. LECSB1: Single phase 100 to 120 VAC, 50/60 Hz Connection terminal: L11, L21 LECSB2: Single phase 200 to 230 VAC, 50/60 Hz Connection terminal: L11, L21 LECSB2: Three phase 200 to 230 VAC, 50/60 Hz Connection terminal: L11, L21

### Motor Connector (Accessory): CNP3

Terminal name	Function	Details
U	Servo motor power (U)	Connect to motor cable (U (Red), V (White), W (Black)).
V	Servo motor power (V)	
W	Servo motor power (W)	

# Wiring Method for LECSC



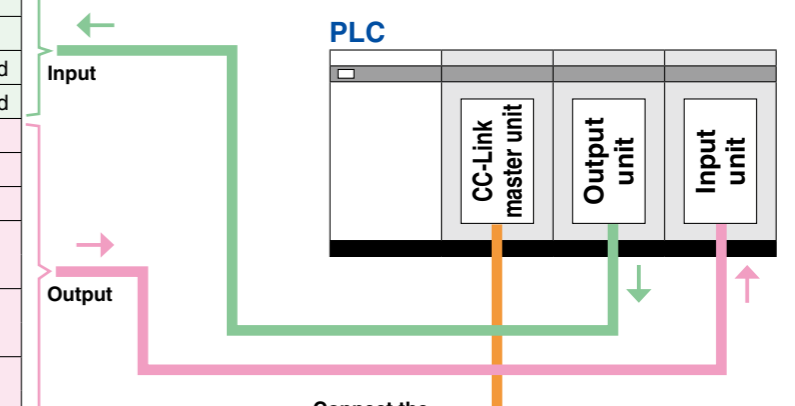
## CC-Link Connector Wiring and I/O Signal Wiring

### I/O connector (Option): CN6

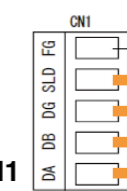
Pin no.	Signal name	Signal name
5	DICOM	Digital I/F power supply input
17	DOCOM	Digital I/F common
23	LG	Control common
1	EMG	* Forced stop
2	DOG	Proximity dog
3	LSP	* Forward rotation stroke end
4	LSN	* Reverse rotation stroke end
14	RD	Ready
15	ALM	* Failure
16	ZP	Return to origin completion
11	LA	A-phase pulse encoder (Differential line driver)
24	LAR	B-phase pulse encoder (Differential line driver)
12	LB	B-phase pulse encoder (Differential line driver)
25	LBR	Z-phase pulse encoder (Differential line driver)
13	LZ	Z-phase pulse encoder (Differential line driver)
26	LZR	Z-phase pulse encoder (Differential line driver)

The \*EMG, \*LSP, \*LSN and \*ALM are negative logic. Signal assignments are those in the initial setting status.

**Power supply for I/O signal 24 VDC (Provided by customer)**  
 Power supply cable should be provided and wired by the customer.

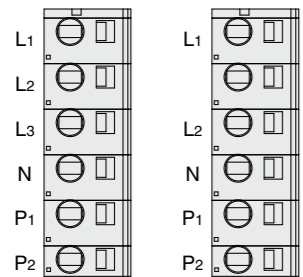


**Connect the ground.**



### CC-Link connector (Accessory): CN1

### For 200 VAC For 100 VAC



### Main Circuit Power Supply Connector (Accessory): CNP1

Terminal name	Function	Details
L1, L2, L3	Main circuit power supply (*1)	Connect the main circuit power supply. LECSC1: Single phase 100 to 120 VAC, 50/60 Hz Connection terminal: L1, L2 LECSC2: Single phase 200 to 230 VAC, 50/60 Hz Connection terminal: L1, L2 LECSC2: Three phase 200 to 230 VAC, 50/60 Hz Connection terminal: L1, L2, L3
N		Do not connect.
P1, P2		Connect between P1 and P2. (Connected at time of shipping.)

(\*1) The position of the connection terminal L2 is different between the LECSC1 and LECSC2.

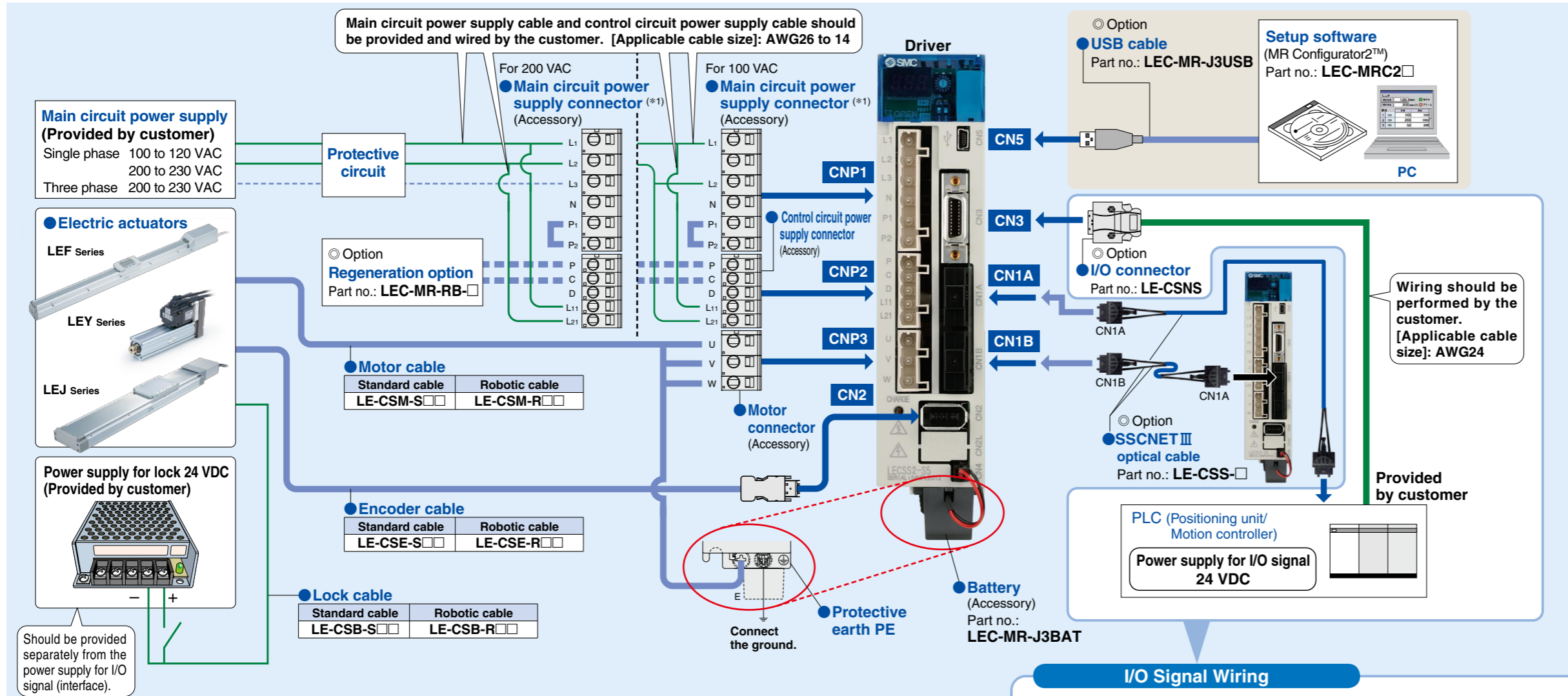
### Control Circuit Power Supply Connector (Accessory): CNP2

Terminal name	Function	Details
P, C, D	Regeneration option	Terminal to connect regeneration option. When the built-in regenerative resistor of the driver is used, connect between P and D. (Connected at time of shipping.) When regeneration option is connected, remove the wiring between P and D, and connect the regeneration option to P and C.
L11, L21	Control circuit power supply	Connect the control circuit power supply. LECSC1: Single phase 100 to 120 VAC, 50/60 Hz Connection terminal: L11, L21 LECSC2: Single phase 200 to 230 VAC, 50/60 Hz Connection terminal: L11, L21 LECSC2: Three phase 200 to 230 VAC, 50/60 Hz Connection terminal: L11, L21

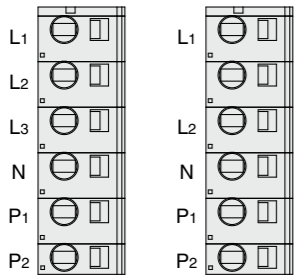
### Motor Connector (Accessory): CNP3

Terminal name	Function	Details
U	Servo motor power (U)	Connect to motor cable (U (Red), V (White), W (Black)).
V	Servo motor power (V)	
W	Servo motor power (W)	

# Wiring Method for LECSS



For 200 VAC For 100 VAC



### Main Circuit Power Supply Connector (Accessory): CNP1

Terminal name	Function	Details
L1, L2, L3	Main circuit power supply (*1)	Connect the main circuit power supply. LECSS1: Single phase 100 to 120 VAC, 50/60 Hz Connection terminal: L1, L2 LECSS2: Single phase 200 to 230 VAC, 50/60 Hz Connection terminal: L1, L2 LECSS2: Three phase 200 to 230 VAC, 50/60 Hz Connection terminal: L1, L2, L3
N		Do not connect.
P1, P2		Connect between P1 and P2. (Connected at time of shipping.)

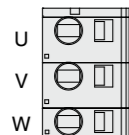
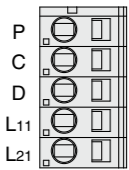
(\*1) The position of the connection terminal L2 is different between the LECSS1 and LECSS2.

### Control Circuit Power Supply Connector (Accessory): CNP2

Terminal name	Function	Details
P, C, D	Regeneration option	Terminal to connect regeneration option. When the built-in regenerative resistor of the driver is used, connect between P and D. (Connected at time of shipping.) When regeneration option is connected, remove the wiring between P and D, and connect the regeneration option to P and C.
L11, L21	Control circuit power supply	Connect the control circuit power supply. LECSS1: Single phase 100 to 120 VAC, 50/60 Hz Connection terminal: L11, L21 LECSS2: Single phase 200 to 230 VAC, 50/60 Hz Connection terminal: L11, L21 LECSS2: Three phase 200 to 230 VAC, 50/60 Hz Connection terminal: L11, L21

### Motor Connector (Accessory): CNP3

Terminal name	Function	Details
U	Servo motor power (U)	Connect to motor cable (U (Red), V (White), W (Black)).
V	Servo motor power (V)	
W	Servo motor power (W)	



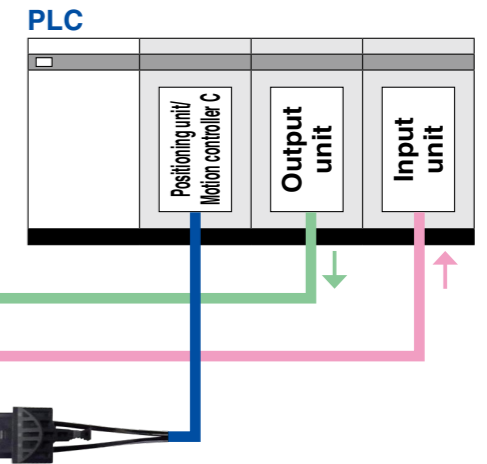
## I/O Signal Wiring

### I/O connector (Option): CN3

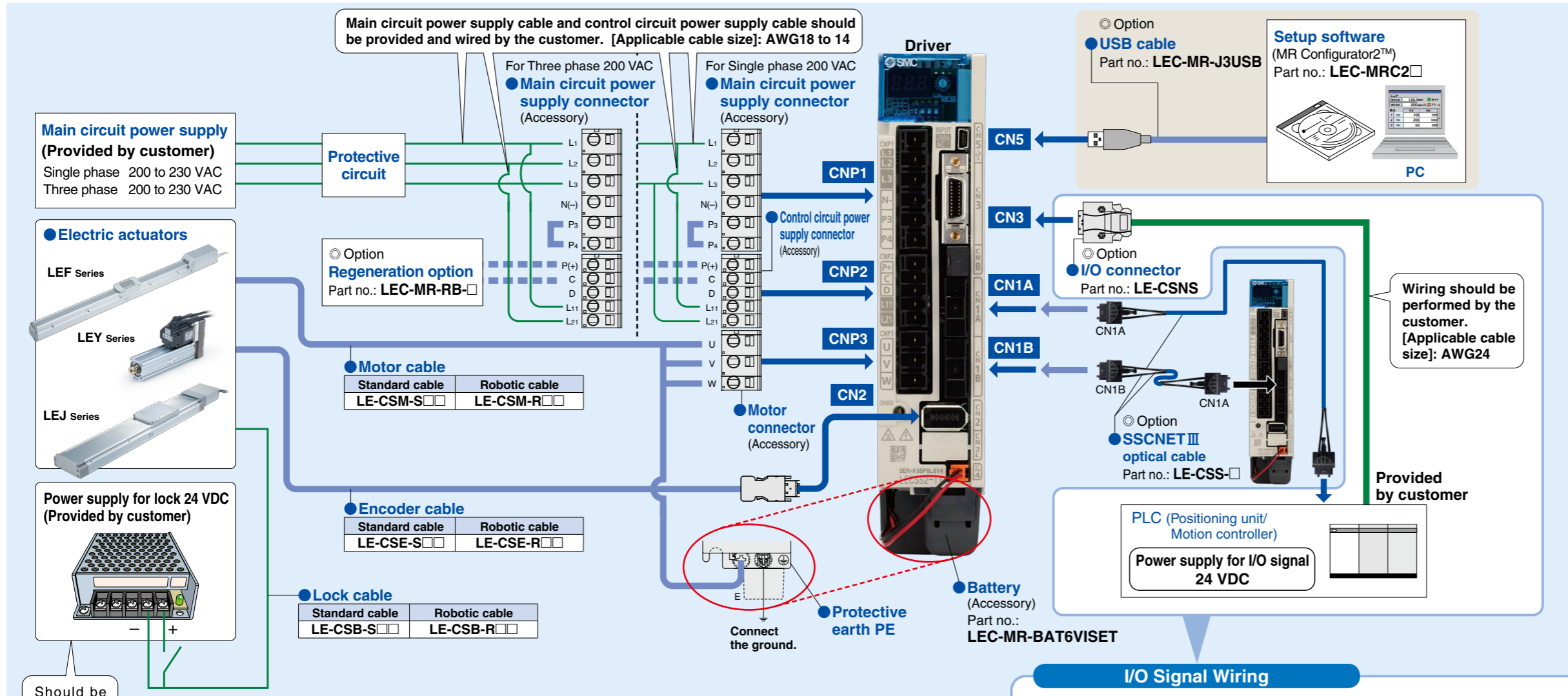
Pin no.	Signal name	Signal name
5	DICOM	Digital I/F power supply input
10	DOCOM	Digital I/F common
3	LG	Control common
11	DI1	(Set by PLC.)
2	DI2	
12	DI3	
19	EM1	* Forced stop
20	INP	In position
9	MBR	Electromagnetic brake interlock
13	ALM	* Failure (Note 1)
15	MO1	Analog monitor 1
3	MO2	Analog monitor 2
14	LA	A-phase pulse encoder (Differential line driver)
6	LAR	B-phase pulse encoder (Differential line driver)
16	LB	
7	LBR	Z-phase pulse encoder (Differential line driver)
17	LZ	
8	LZR	
18	LZR	

The \*EM1 and \*ALM are negative logic. Signal assignments are those in the initial setting status.

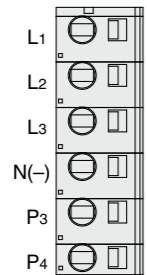
Power supply for I/O signal 24 VDC (Provided by customer)  
 Power supply cable should be provided and wired by the customer.



# Wiring Method for LECSS-T

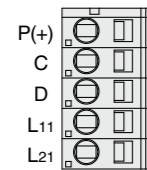


### Main Circuit Power Supply Connector (Accessory): CNP1



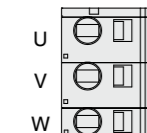
Terminal name	Function	Details
L1	Main circuit power supply	Connect the main circuit power supply. LECSS2-T: Single phase 200 to 230 VAC, 50/60 Hz Connection terminal: L1, L3 LECSS2-T: Three phase 200 to 230 VAC, 50/60 Hz Connection terminal: L1, L2, L3
L2		
L3		
N(-)	Do not connect.	
P3, P4	Connect between P3 and P4. (Connected at time of shipping.)	

### Control Circuit Power Supply Connector (Accessory): CNP2



Terminal name	Function	Details
P(+), C, D	Regeneration option	Terminal to connect regeneration option. When the built-in regenerative resistor of the driver is used, connect between P and D. (Connected at time of shipping.) When regeneration option is connected, remove the wiring between P and D, and connect the regeneration option to P and C.
L11, L21	Control circuit power supply	Connect the control circuit power supply. LECSS2-T: Single phase 200 to 230 VAC, 50/60 Hz Connection terminal: L11, L21 LECSS2-T: Three phase 200 to 230 VAC, 50/60 Hz Connection terminal: L11, L21

### Motor Connector (Accessory): CNP3



Terminal name	Function	Details
U	Servo motor power (U)	Connect to motor cable (U (Red), V (White), W (Black)).
V	Servo motor power (V)	
W	Servo motor power (W)	

### I/O Signal Wiring

#### I/O connector (Option): CN3

Pin no.	Signal name	Signal name
5	DICOM	Digital I/F power supply input
10	DOCOM	Digital I/F common
3	LG	Control common
11	DI1	(Set by PLC.)
2	DI2	
12	DI3	
19	EM2	* Forced stop 2
20	INP	In position
9	MBR	Electromagnetic brake interlock
13	ALM	* Failure
15	MO1	Analog monitor 1
3	MO2	Analog monitor 2
14	LA	A-phase pulse encoder (Differential line driver)
6	LAR	B-phase pulse encoder (Differential line driver)
16	LBR	
7	LZ	Z-phase pulse encoder (Differential line driver)
17	LZR	
8		
18		

The \*EM2 and \*ALM are negative logic. Signal assignments are those in the initial setting status.

Power supply for I/O signal 24 VDC (Provided by customer)  
 Power supply cable should be provided and wired by the customer.

