

The AC20 to 60-B is to be discontinued as of March 2025. Select the AC20 to 60-D as a substitute. [Click here for details.](#) The AC10-A will continue to be produced, so it can be selected and used as before.



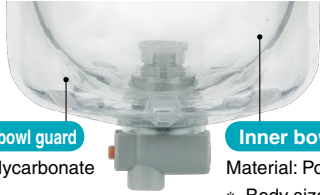
Modular F.R.L. Units

Better visibility & environmental resistance

Double layer design

The bowl is covered with a transparent bowl guard!

- The inside is visible from 360°.
- The bowl is completely protected from the environment. Safety improved



Transparent bowl guard
Material: Polycarbonate

Inner bowl
Material: Polycarbonate
* Body size: 30 or more

Selection of pressure gauges



Square embedded type pressure gauge



Round type pressure gauge



Digital pressure switch

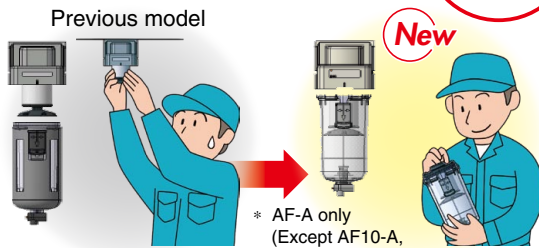
Interchangeability

Interchangeable with the previous AR series by panel mounting

Easy replacement of the element

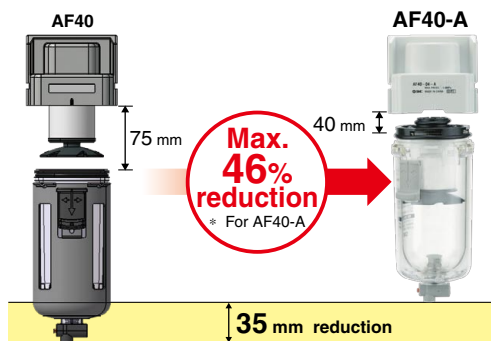
The element and the bowl are in one piece. Replacement can be done in hand.

Replacement in hand!

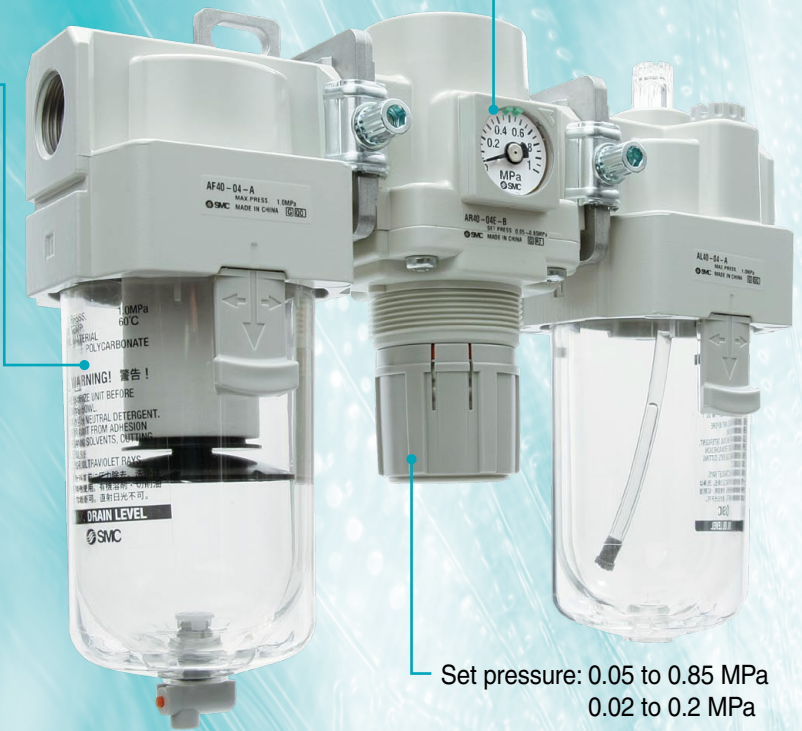


* AF-A only (Except AF10-A, AF50-A, AF60-A)

Reduced required maintenance space



Max. 46% reduction
* For AF40-A



Set pressure: 0.05 to 0.85 MPa
0.02 to 0.2 MPa

AR□K regulator with backflow function added.

New Made to order added.

- Long bowl (-X64)
- 0.4 MPa setting (-X406)
- With element service indicator (-X2141)
- High pressure (-X425)
- Low temperature (-X430)
- High temperature (-X440)
- Clean series (10-)
- Copper, fluorine and silicone-free + Low particle generation (21-)

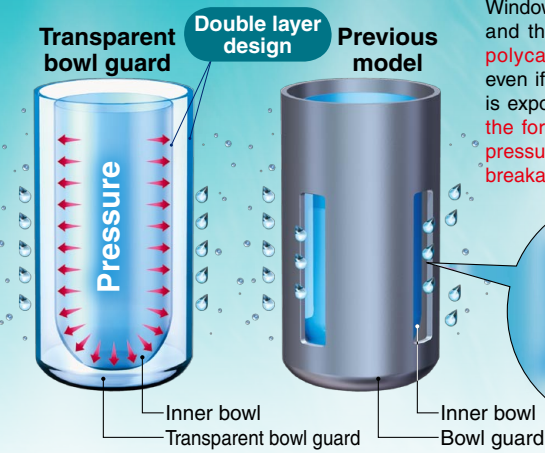
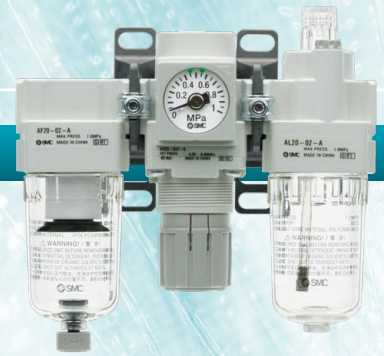


AC Series

AC Series

▶ Transparent bowl guard

Better environmental resistance:
Transparent bowl guard can protect the inner bowl!



Windows on the bowl guard have been removed and the inner bowl is instead covered with a **polycarbonate transparent bowl guard**. Now, even if the environment changes and the bowl is exposed to corrosive chemical or oil splash, the foreign matter will not stick directly to the pressurized bowl. This can reduce risk of bowl breakage.

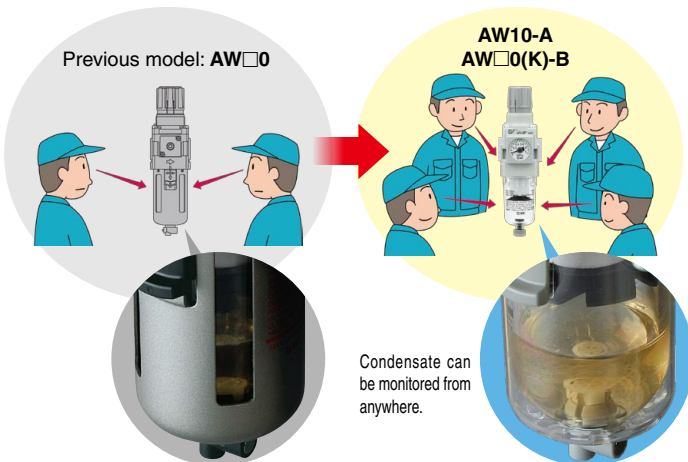
Applicable model

Air Filter AF	Filter Regulator AW□0(K)-B
Mist Separator AFM	Lubricator AL
Micro Mist Separator AFD	

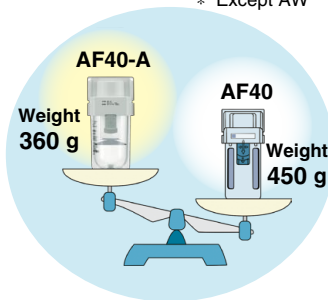
* Body size: 30 or more

Better visibility: 360°

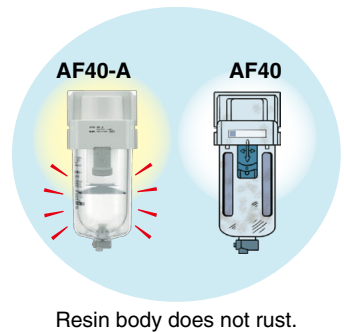
Use of transparent bowl guard makes it possible to check the condensate inside the filter bowl and the remaining oil amount in the lubricator from the entire periphery.



Light weight:
Max. 90 g reduction
* Except AW



Metal related corrosion does not occur.

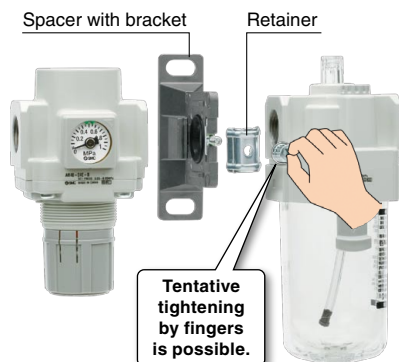


New Spacer

Modular connection

Step ①

- Mount the product by lining up the mating surface of the new spacer with bracket.
- Insert the retainer into the spacer bolt and tighten the nut. (temporary assembling)



Step ②

- Tighten the nut with the hexagon wrench.


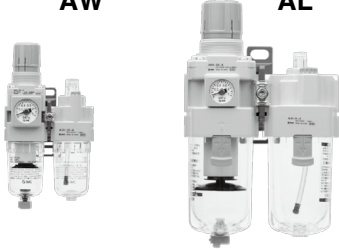


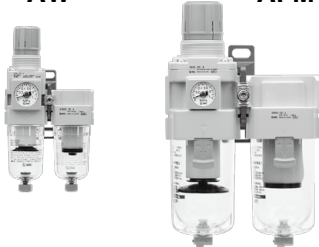
Interchangeable with previous model

- New spacer can be connected to the previous AF, AR, AL, AW series.
- Previous spacer can be connected to the new AF□-A, AR□(K)-B, AL□-A, AW□(K)-B series.



AC Series

Series Configuration

Product	Model	Port size							INDEX
		M5	1/8	1/4	3/8	1/2	3/4	1	
Air Filter + Regulator + Lubricator AF AR AL 	AC10-A	●							P.7
	AC20-B		●	●					
	AC25-B			●	●				
	AC30-B			●	●				
	AC40-B			●	●	●			
	AC40-06-B						●		
	AC50-B						●	●	
	AC60-B							●	
Filter Regulator + Lubricator AW AL 	AC10A-A	●						P.15	
	AC20A-B		●	●					
	AC30A-B			●	●				
	AC40A-B			●	●	●			
	AC40A-06-B						●		
	AC50A-B						●		●
	AC60A-B								●
Air Filter + Regulator AF AR 	AC10B-A	●						P.21	
	AC20B-B		●	●					
	AC25B-B			●	●				
	AC30B-B			●	●				
	AC40B-B			●	●	●			
	AC40B-06-B						●		
	AC50B-B						●		●
	AC60B-B								●
Air Filter + Mist Separator + Regulator AF AFM AR 	AC20C-B		●	●				P.27	
	AC25C-B			●	●				
	AC30C-B			●	●				
	AC40C-B			●	●	●			
	AC40C-06-B						●		
Filter Regulator + Mist Separator AW AFM 	AC20D-B		●	●				P.31	
	AC30D-B			●	●				
	AC40D-B			●	●	●			
	AC40D-06-B						●		

Air Combination

AC

AF+AR+AL

AW+AL

AF+AR

AF+AFM+AR

AW+AFM

Attachment

AF






AFM / AFD




AR

AL

AW

Series Configuration

	Product	Model	Port size							INDEX
			M5	1/8	1/4	3/8	1/2	3/4	1	
Air Filter		AF10-A	●							P.43
		AF20-A		●	●					
		AF30-A			●	●				
		AF40-A			●	●	●			
		AF40-06-A						●		
		AF50-A						●	●	
		AF60-A							●	
Mist Separator		AFM20-A		●	●				P.55	
		AFM30-A			●	●				
		AFM40-A			●	●	●			
		AFM40-06-A						●		
Micro Mist Separator		AFD20-A		●	●				P.55	
		AFD30-A			●	●				
		AFD40-A			●	●	●			
		AFD40-06-A						●		
Regulator		AR10-A	●						P.64	
		AR20-B		●	●					
		AR25-B			●	●				
		AR30-B			●	●				
		AR40-B			●	●	●			
		AR40-06-B						●		
		AR50-B						●		●
		AR60-B								●
Regulator with Backflow Function		AR20K-B		●	●				P.67	
		AR25K-B			●	●				
		AR30K-B			●	●				
		AR40K-B			●	●	●			
		AR40K-06-B						●		
		AR50K-B						●		●
		AR60K-B								●

Product	Model	Port size							INDEX
		M5	1/8	1/4	3/8	1/2	3/4	1	
Lubricator 	AL								P.82
	AL10-A	●							
	AL20-A		●	●					
	AL30-A			●	●				
	AL40-A			●	●	●			
	AL40-06-A						●		
	AL50-A						●	●	
AL60-A							●		
Filter Regulator 	AW								P.92
	AW10-A	●							
	AW20-B		●	●					
	AW30-B			●	●				
	AW40-B			●	●	●			
	AW40-06-B						●		
AW60-B						●	●		
Filter Regulator with Backflow Function 	AW□K								P.95
	AW20K-B		●	●					
	AW30K-B			●	●				
	AW40K-B			●	●	●			
	AW40K-06-B						●		
AW60K-B						●	●		

AC

AF+AR+AL

AW+AL

AF+AR

AF+AFM+AR

AW+AFM

Attachment

AF

AFM / AFD

AR

AL

AW

Simple Specials System

A system designed to respond quickly and easily to your special ordering needs

Simple
Specials
System

Short lead times

This system enables us to respond to your special needs, such as additional machining, accessory assembly, or modular unit, and deliver such special products as quickly as standard products.

Repeat orders

Once we receive a Simple Special part number from your previous order, we will process the order, manufacture the product, and deliver it to you.

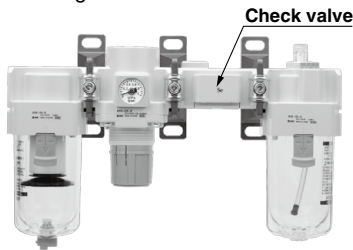
Please contact your local sales representative for more details.

Attachment List

Check valve

Page 34

■ A check valve with intermediate branch port can be easily installed to prevent a backflow of lubricant when branching the air flow and releasing the air on the outlet side of the regulator.



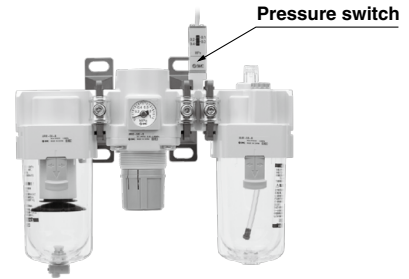
Applicable series

- Air Filter + Regulator + Lubricator (AC20 to AC40-B)
- Filter Regulator + Lubricator (AC20A to AC40A-B)
- * Port size: Except 06

Pressure switch

Page 35

■ A compact integrated pressure switch can be easily installed and facilitates the pressure detection of the line.



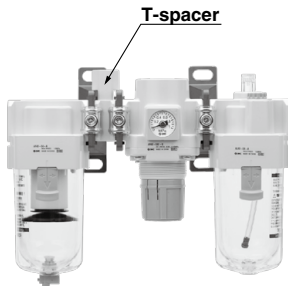
Applicable series

- Air Filter + Regulator + Lubricator (AC20-B to AC60-B)
- Filter Regulator + Lubricator (AC20A-B to AC60A-B)
- Air Filter + Regulator (AC20B-B to AC60B-B)
- Air Filter + Mist Separator + Regulator (AC20C-B to AC60C-B)
- Filter Regulator + Mist Separator (AC20D-B to AC60D-B)

T-spacer

Page 35

■ Using a T-shaped spacer facilitates the branching of air flow.



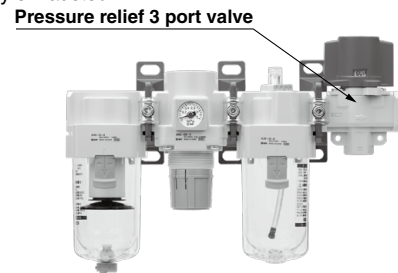
Applicable series

- Air Filter + Regulator + Lubricator (AC10-A to AC60-B)
- Air Filter + Regulator (AC10B-A to AC60B-B)
- Air Filter + Mist Separator + Regulator (AC20C-B to AC40C-B)

Pressure relief 3 port valve

Page 36

■ With the use of a pressure relief 3 port valve, pressure left in the line can be easily exhausted.



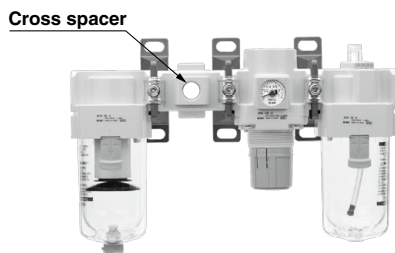
Applicable series

- Air Filter + Regulator + Lubricator (AC20-B to AC50-B)
- Filter Regulator + Lubricator (AC20A-B to AC50A-B)
- Air Filter + Regulator (AC20B-B to AC50B-B)
- Air Filter + Mist Separator + Regulator (AC20C-B to AC40C-B)
- Filter Regulator + Mist Separator (AC20D-B to AC40D-B)

Cross spacer

Page 36

■ Piping are possible in all 4 directions.

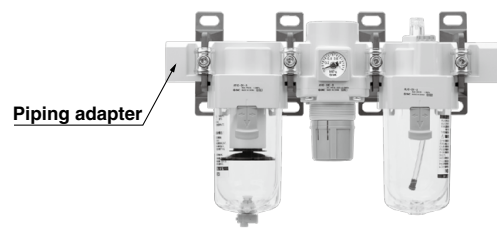


* Needs to be ordered separately.

Piping adapter

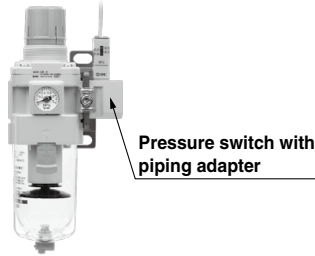
Page 37

■ A piping adapter allows installation/removal of the component without removing the piping and thus makes maintenance easier.



* Needs to be ordered separately.

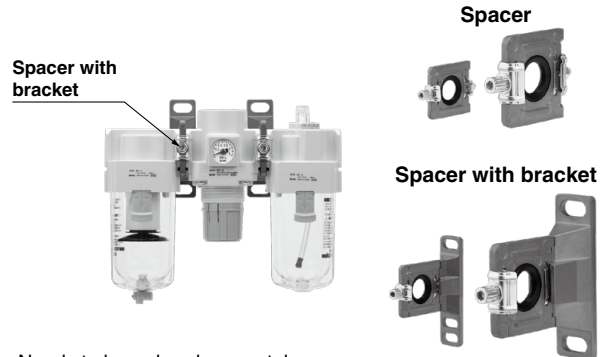
Pressure switch with piping adapter **Page 37**



Pressure switch with piping adapter

* Needs to be ordered separately.

Accessories (Spacer/Spacer with bracket) **Page 38**



* Needs to be ordered separately.

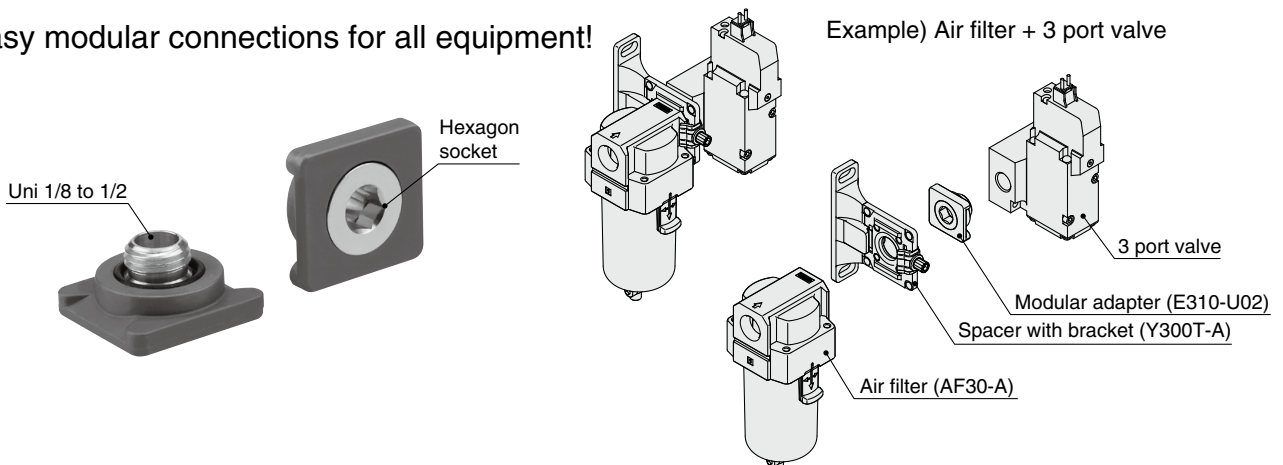
Made-to-Order List

	Air Filter AF Series	Mist Separator/ Micro Mist Separator AFM/AFD Series	Regulator AR Series	Regulator with Backflow Function AR□K Series	Filter Regulator AW Series	Filter Regulator with Backflow Function AW□K Series
Long bowl (-X64)	● P.51	● P.61			● From P.108	● From P.109
0.4 MPa setting (-X406)			● From P.78	● P.79	● From P.108	● From P.109
With element service indicator (-X2141)	● P.52	● P.62				
High pressure 2.0 MPa (-X425)	● P.53		● P.77		● P.107	
Low temperature -30 to 60°C (-X430)	● P.53		● P.77		● P.106	
High temperature -5 to 80°C (-X440)	● P.53		● P.77		● P.106	
Clean series (10-)	● P.54	● P.63	● P.80	● P.80	● P.111	● P.111
Copper, fluorine and silicone-free + Low particle generation (21-)	● P.54	● P.63	● P.80	● P.80	● P.111	● P.111

Related Product

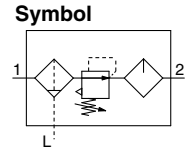
Modular adapter

Easy modular connections for all equipment!



AC
AF+AR+AL
AF+AR
AW+AL
AF+AR
AF+AFM+AR
AW+AFM
Attachment
AF
AFM/AFD
AR
AL
AW

AC10-A



How to Order

Refer to page 9 for size 20 to 60.

AC10-M5 - - - A

1
 2
 3

- Option/Semi-standard: Select one each for **a** to **h**.
- Option/Semi-standard symbol: When more than one specification is required, indicate in alphanumeric order.
Example) AC10-M5CG-T-12NR-A

		Symbol	Description	
1	Option	a	Float type auto drain	Nil Without auto drain
			C *1 N.C. (Normally closed) Drain port is closed when pressure is not applied.	
		b	Pressure gauge	Nil Without pressure gauge
				G *2 Round type pressure gauge (without limit indicator)
+				
2	Attachment (T-spacer) *3	Nil Without attachment		
		T Mounting position: AF+T+AR+AL		
+				
3	Semi-standard	c	Set pressure *4	Nil 0.05 to 0.7 MPa setting
			1 0.02 to 0.2 MPa setting	
		+		
		d	Bowl *5	Nil Polycarbonate bowl
				2 Metal bowl
				6 Nylon bowl
		+		
		e	Lubricator lubricant exhaust port	Nil Without drain cock
				3 Lubricator with drain cock
		+		
		f	Exhaust mechanism	Nil Relieving type
				N Non-relieving type
+				
g	Flow direction	Nil Flow direction: Left to right		
		R Flow direction: Right to left		
+				
h	Pressure unit	Nil Name plate, caution plate for bowl, and pressure gauge in SI units: MPa		
		Z *6 Name plate, caution plate for bowl, and pressure gauge in imperial units: psi, °F		

*1 When pressure is not applied, condensate which does not start the auto drain mechanism will be left in the bowl. Releasing the residual condensate before ending operations for the day is recommended.

*2 A 1.0 MPa pressure gauge will be fitted. It is not assembled and supplied loose at the time of shipment.

*3 The bracket position varies depending on the T-spacer mounting.

*4 Pressure can be set higher than the specification pressure in some cases, but use pressure within the specification range.

*5 Refer to chemical data on page 46 for chemical resistance of the bowl.

*6 This product is for overseas use only according to the new Measurement Act. (The SI unit type is provided for use in Japan.)



AC10-A

Standard Specifications

Component	Air Filter [AF]	AF10-A
	Regulator [AR]	AR10-A
	Lubricator [AL]	AL10-A
Port size		M5 x 0.8
Pressure gauge port size [AR]		1/16
Fluid		Air
Ambient and fluid temperature		-5 to 60°C (with no freezing)
Proof pressure		1.5 MPa
Maximum operating pressure		1.0 MPa
Set pressure range [AR]		0.05 to 0.7 MPa
Nominal filtration rating [AF]		5 μm
Recommended lubricant [AL]		Class 1 turbine oil (ISO VG32)
Bowl material [AF/AL]		Polycarbonate
Construction [AR]		Relieving type
Weight [kg]		0.27

⚠ Specific Product Precautions

Be sure to read this before handling the products. Refer to the back cover for safety instructions. For F.R.L. units precautions, refer to the “Handling Precautions for SMC Products” and the “Operation Manual”, <https://www.smcworld.com>

Selection

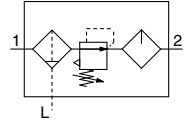
⚠ Caution

1. When releasing air at the intermediate position using a T-spacer on the inlet side of the lubricator, lubricant may back flow. Therefore, releasing air that does not contain traces of lubricant is not possible.
2. An F.R.L. unit shipped from the plant has its model number labeled. However, components that are combined together during the distribution process do not have a label on them.
3. When operating at an inlet pressure lower than the inlet pressure used in the flow rate characteristics graph, the pressure drop on the outlet side may be greater. Therefore, be sure to conduct testing using the actual equipment.
For air combination selection, refer to the “Product Selection Guide.”

AC
AF+AR+AL
AW+AL
AF+AR
AF+AFM+AR
AW+AFM
Attachment
AF
AFM / AFD
AR
AL
AW

AC20-B to AC60-B

Symbol



The AC20 to 60-B is to be discontinued as of March 2025. Select the AC20 to 60-D as a substitute. [Click here for details.](#)

How to Order

Refer to page 7 for size 10.

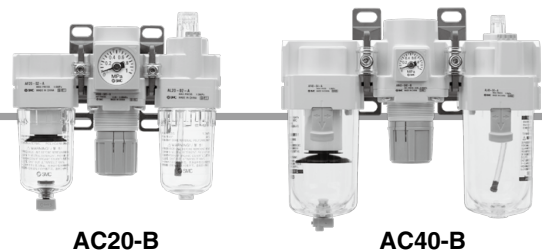
AC **30** - **03** **DE** - **01** - **01** - B

1 2 3 4 5 6

- Option/Semi-standard: Select one each for a to m.
- Option/Attachment/Semi-standard symbol: When more than one specification is required, indicate in alphanumeric order. Example) AC30-F03DE1-KSTV-136NR-B

		Symbol	Description	①							
				Body size							
				20	25	30	40	50	55	60	
②	Pipe thread type	Nil	Rc	●	●	●	●	●	●	●	
		N*1	NPT	●	●	●	●	●	●	●	
		F*2	G	●	●	●	●	●	●	●	
+											
③	Port size	01	1/8	●	—	—	—	—	—	—	
		02	1/4	●	●	●	●	—	—	—	
		03	3/8	—	●	●	●	—	—	—	
		04	1/2	—	—	—	●	—	—	—	
		06	3/4	—	—	—	●	●	—	—	
		10	1	—	—	—	—	●	●	●	
+											
④	a	Float type auto drain	Nil	Without auto drain	●	●	●	●	●	●	
			C*4	N.C. (Normally closed) Drain port is closed when pressure is not applied.	●	●	●	●	●	●	
			D*5	N.O. (Normally open) Drain port is open when pressure is not applied.	—	●	●	●	●	●	
	+										
	b	Pressure gauge *6	Nil	Without pressure gauge	●	●	●	●	●	●	●
			E	Square embedded type pressure gauge (with limit indicator)	●	●	●	●	●	●	●
			G	Round type pressure gauge (with limit indicator)	●	●	●	●	●	●	●
			M	Round type pressure gauge (with color zone)	●	●	●	●	●	●	●
		Digital pressure switch	E1	Output: NPN output, Electrical entry: Wiring bottom entry	●	●	●	●	●	●	●
			E2	Output: NPN output, Electrical entry: Wiring top entry	●	●	●	●	●	●	●
			E3	Output: PNP output, Electrical entry: Wiring bottom entry	●	●	●	●	●	●	●
	+										
⑤	c	Check valve	Nil	Without attachment	●	●	●	●	●	●	
			K	Mounting position: AF+AR+K+AL	●	●	●	●*7	—	—	—
	+										
	d	Pressure switch	Nil	Without attachment	●	●	●	●	●	●	●
			S*8	Mounting position: AF+AR+S+AL	●	●	●	●	●	●	●
	+										
	e	T-spacer	Nil	Without attachment	●	●	●	●	●	●	●
			T*8	Mounting position: AF+T+AR+AL	●	●	●	●	●	●	●
	+										
	f	Pressure relief 3 port valve	Nil	Without attachment	●	●	●	●	●	●	●
			V	Mounting position: AF+AR+AL+V	●	●	●	●	●	—	—
	+										
⑥	g	Set pressure *9	Nil	0.05 to 0.85 MPa setting	●	●	●	●	●	●	●
			1	0.02 to 0.2 MPa setting	●	●	●	●	●	●	●
	+										
	h	Bowl *10	Nil	Polycarbonate bowl	●	●	●	●	●	●	●
			2	Metal bowl	●	●	●	●	●	●	●
			6	Nylon bowl	●	●	●	●	●	●	●
			8	Metal bowl with level gauge	—	●	●	●	●	●	●
			C	With bowl guard	●	—*11	—*11	—*11	—*11	—*11	—*11
			6C	With bowl guard (Nylon bowl)	●	—*12	—*12	—*12	—*12	—*12	—*12

Air Combination **AC20-B to AC60-B Series**



		Symbol	Description	①							
				Body size							
				20	25	30	40	50	55	60	
⑥	Semi-standard	i	Air filter drain port *13	Nil	With drain cock						
				J*14	Drain guide 1/8						
				W*15	Drain cock with barb fitting (for ø6 x ø4 nylon tube)						
				+							
	j	Lubricator lubricant exhaust port	Nil	Without drain cock							
			3*16	Lubricator with drain cock							
	k	Exhaust mechanism	Nil	Relieving type							
			N	Non-relieving type							
	l	Flow direction	Nil	Flow direction: Left to right							
			R	Flow direction: Right to left							
m	Pressure unit	Nil	Name plate, caution plate for bowl, and pressure gauge in SI units: MPa								
		Z*17	Name plate, caution plate for bowl, and pressure gauge in imperial units: psi, °F								
		ZA*18	Digital pressure switch: With unit selection function								

- *1 Drain guide is NPT1/8 (applicable to the AC20-B) and NPT1/4 (applicable to the AC25-B to AC60-B). The auto drain port comes with ø3/8" One-touch fitting (applicable to the AC25-B to AC60-B).
- *2 Drain guide is G1/8 (applicable to the AC20-B) and G1/4 (applicable to the AC25-B to AC60-B).
- *3 Options G, M are not assembled and supplied loose at the time of shipment.
- *4 When pressure is not applied, condensate which does not start the auto drain mechanism will be left in the bowl. Releasing the residual condensate before ending operations for the day is recommended.
- *5 If the compressor is small (0.75 kW, discharge flow is less than 100 L/min[ANR]), air leakage from the drain cock may occur during start of operations. N.C. type is recommended.
- *6 When the pressure gauge is attached, a 1.0 MPa pressure gauge will be fitted for standard (0.85 MPa) type. 0.4 MPa pressure gauge for 0.2 MPa type.
- *7 Not available with piping port size: 06
- *8 The bracket position varies depending on the T-spacer or pressure switch mounting.
- *9 Pressure can be set higher than the specification pressure in some cases, but use pressure within the specification range.
- *10 Refer to chemical data on page 46 for chemical resistance of the bowl.
- *11 A bowl guard is provided as standard equipment (polycarbonate).
- *12 A bowl guard is provided as standard equipment (nylon).
- *13 The combination of float type auto drain: C and D is not available.
- *14 Without a valve function
- *15 The combination of metal bowl: 2 and 8 is not available.
- *16 When choosing with W: Filter drain port, the drain cock of a lubricator will be with barb fittings.
- *17 For pipe thread type: NPT. This product is for overseas use only according to the new Measurement Act. (The SI unit type is provided for use in Japan.) Cannot be used with M: Round type pressure gauge (with color zone). Available by request for special. The digital pressure switch will be equipped with the unit selection function, setting to psi initially.
- *18 For options: E1, E2, E3, E4. This product is for overseas use only according to the new Measurement Act. (The SI unit is provided for use in Japan.)
- *19 ○: For pipe thread type: NPT only
- *20 △: Select with options: E1, E2, E3, E4.

Standard Specifications

Model		AC20-B	AC25-B	AC30-B	AC40-B	AC40-06-B	AC50-B	AC55-B	AC60-B	
Component	Air Filter [AF]	AF20-A	AF30-A	AF30-A	AF40-A	AF40-06-A	AF50-A	AF60-A	AF60-A	
	Regulator [AR]	AR20-B	AR25-B	AR30-B	AR40-B	AR40-06-B	AR50-B	AR50-B	AR60-B	
	Lubricator [AL]	AL20-A	AL30-A	AL30-A	AL40-A	AL40-06-A	AL50-A	AL60-A	AL60-A	
Port size		1/8, 1/4	1/4, 3/8	1/4, 3/8	1/4, 3/8, 1/2	3/4	3/4, 1	1	1	
Pressure gauge port size [AR] *1		1/8								
Fluid		Air								
Ambient and fluid temperature *2		-5 to 60°C (with no freezing)								
Proof pressure		1.5 MPa								
Maximum operating pressure		1.0 MPa								
Set pressure range [AR]		0.05 to 0.85 MPa								
Nominal filtration rating [AF]		5 µm								
Recommended lubricant [AL]		Class 1 turbine oil (ISO VG32)								
Bowl material [AF/AL]		Polycarbonate								
Bowl guard [AF/AL]		Semi-standard (Steel)			Standard (Polycarbonate)					
Construction [AR]		Relieving type								
Weight [kg]		0.39	0.70	0.78	1.39	1.53	3.43	3.71	3.76	

*1 Pressure gauge connection threads are not available for F.R.L. unit with a square embedded type pressure gauge or with a digital pressure switch.
 *2 -5 to 50°C for the products with the digital pressure switch

AC

AF+AR+AL

AW+AL

AF+AR

AF+AFM+AR

AW+AFM

Attachment

AF

AFM / AFD

AR

AL

AW

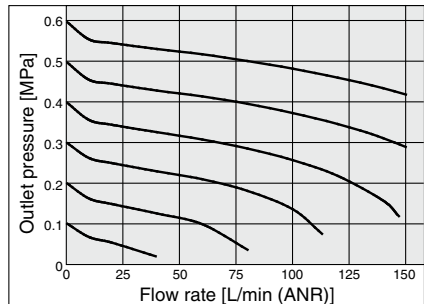
AC10-A Series

AC20-B to AC60-B Series

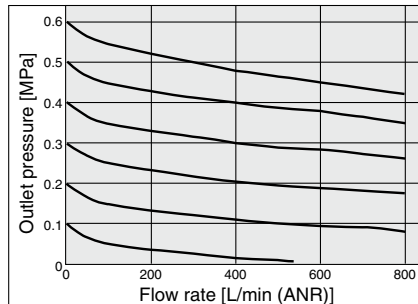
Flow Rate Characteristics (Representative values)

Condition: Inlet pressure of 0.7 MPa

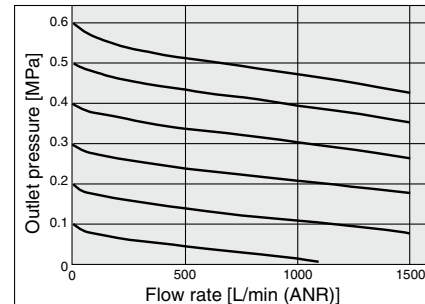
AC10-A M5 x 0.8



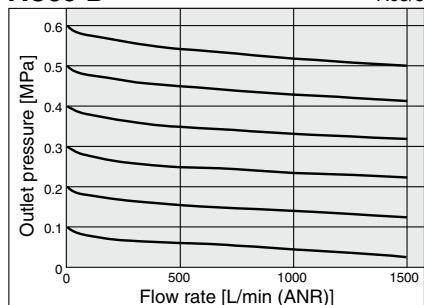
AC20-B Rc1/4



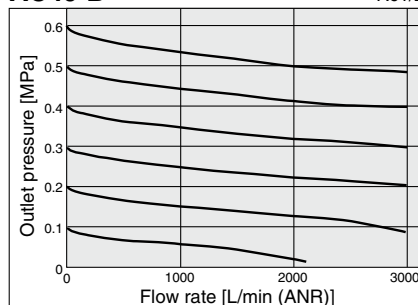
AC25-B Rc3/8



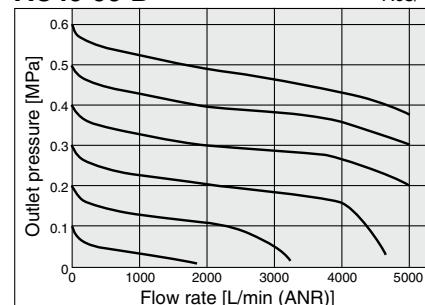
AC30-B Rc3/8



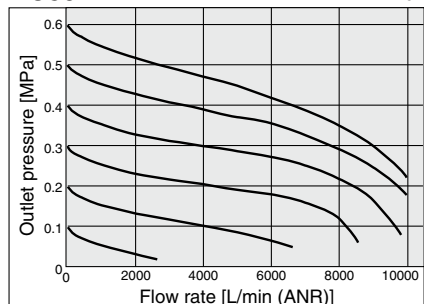
AC40-B Rc1/2



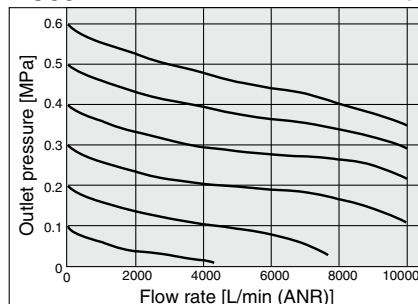
AC40-06-B Rc3/4



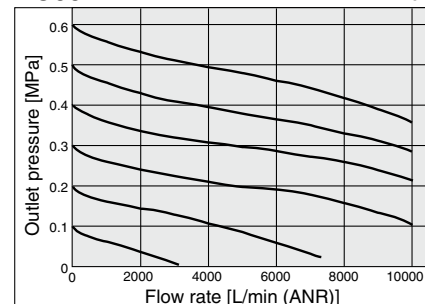
AC50-B Rc1



AC55-B Rc1



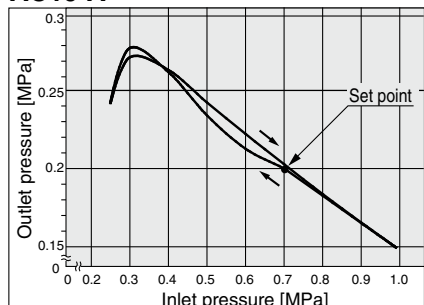
AC60-B Rc1



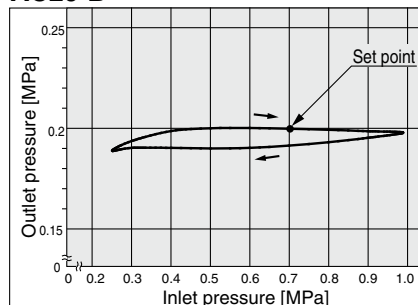
Pressure Characteristics (Representative values)

Conditions: Inlet pressure of 0.7 MPa, Outlet pressure of 0.2 MPa, Flow rate 20 L/min (ANR)

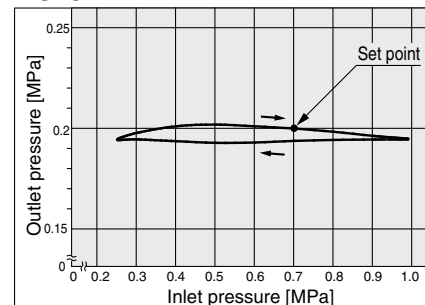
AC10-A



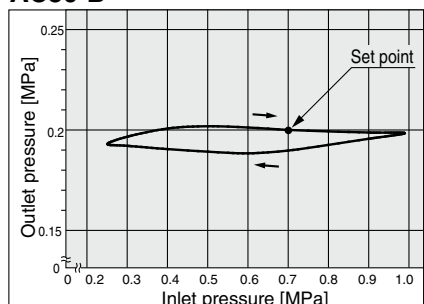
AC20-B



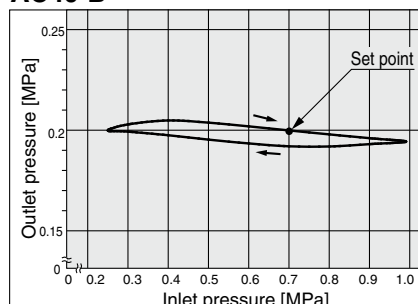
AC25-B



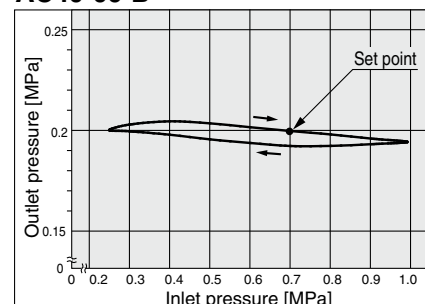
AC30-B



AC40-B



AC40-06-B



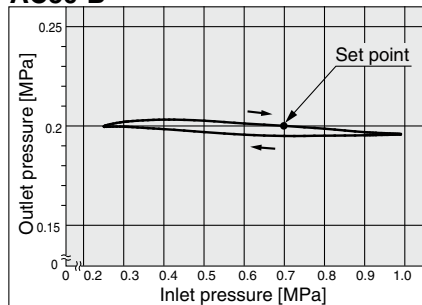
Air Combination **AC10-A Series**

Air Combination **AC20-B to AC60-B Series**

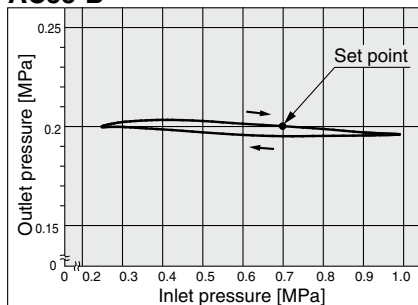
Pressure Characteristics (Representative values)

Conditions: Inlet pressure of 0.7 MPa, Outlet pressure of 0.2 MPa, Flow rate 20 L/min (ANR)

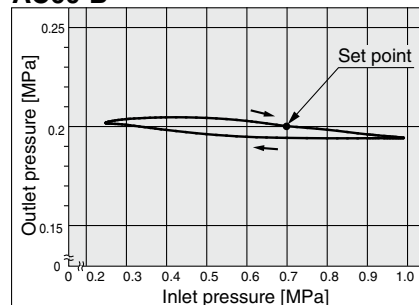
AC50-B



AC55-B



AC60-B



⚠ Specific Product Precautions

Be sure to read this before handling the products. Refer to the back cover for safety instructions. For F.R.L. units precautions, refer to the "Handling Precautions for SMC Products" and the "Operation Manual", <https://www.smcworld.com>

Piping

⚠ Warning

- When mounting a check valve, make sure the arrow (IN side) points in the correct direction of air flow.

Air Supply

⚠ Caution

- Use an air filter with 5 μm or less filtration rating on the inlet side of the valve to avoid any damage to the seat caused by dust when mounting a pressure relief 3 port valve on the inlet side.

Mounting/Adjustment

⚠ Caution

- A knob cover is available to prevent careless operation of the knob. Refer to page 112 for details.
- When the bowl is installed on the air filter, filter regulator, lubricator, mist separator, or micro mist separator (AC25-B to AC60-B), install them so that the lock button lines up to the groove of the front (or the back) of the body to avoid drop or damage of the bowl.



Selection

⚠ Warning

- Float type auto drain
 - Operate under the following conditions to avoid malfunction.
 - <N.O. type>
 - Operating compressor: 0.75 kW (100 L/min (ANR)) or more. When using 2 or more auto drains, multiply the value above by the number of auto drains to find the capacity of the compressors you will need. For example, when using 2 auto drains, 1.5 kW (200 L/min (ANR)) of the compressor capacity is required.
 - Operating pressure: 0.1 MPa or more

Selection

⚠ Warning

- <N.C. type>
 - Operating pressure for AD27-A: 0.1 MPa or more
 - Operating pressure for AD37-A/AD47-A: 0.15 MPa or more
- Use a regulator or filter regulator with backflow function when mounting a pressure release 3 port valve on the inlet side to ensure the release of the residual pressure. Otherwise, residual pressure will not be fully released.

⚠ Caution

- When releasing air at the intermediate position using a T-spacer on the inlet side of the lubricator, lubricant may back flow. Therefore, releasing air that does not contain traces of lubricant is not possible. To release air that does not contain traces of lubricant, use a check valve (AKM series) on the inlet side of the lubricator to prevent a backflow of the lubricant.
- If a pressure relief 3 port valve is mounted on the inlet side of the lubricator, causing a backflow of air, it can result in a backflow of oil or damage to internal parts. Do not use it in this fashion.
- An F.R.L. unit shipped from the plant has its model number labeled. However, components that are combined together during the distribution process do not have a label on them.
- For AC10 series products with a pressure gauge, when connected to the modular unit, there will be interference preventing the use of tools; therefore, the pressure gauge cannot be mounted or removed in such a state. Mount or remove the pressure gauge from the AR/AW10-A single unit product before connecting it to the modular unit. To screw in the pressure gauge, make sure to insert a wrench into the wrench flats before turning the gauge. If the pressure gauge is screwed in by holding some other part of it, air leakage or damage may result. It is possible to have the product shipped with the pressure gauge already mounted. Please contact your local sales representative for more details.
- When operating at an inlet pressure lower than the inlet pressure used in the flow rate characteristics graph, the pressure drop on the outlet side may be greater. Therefore, be sure to conduct testing using the actual equipment. For air combination selection, refer to the "Product Selection Guide."

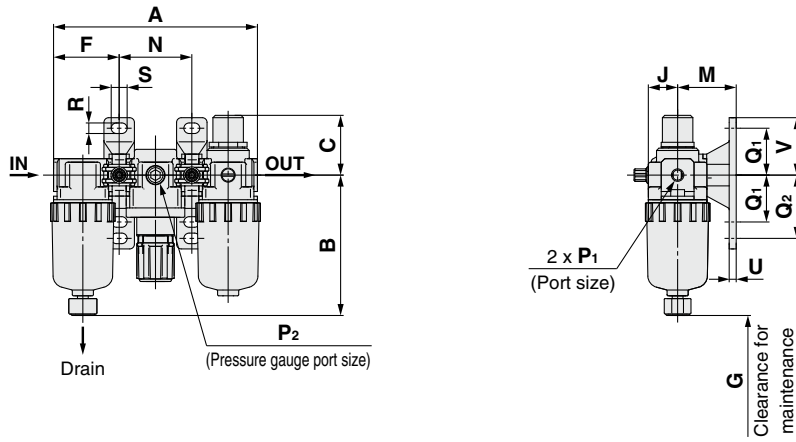
AC
AF+AR+AL
AW+AL
AF+AR
AF+AFM+AR
AW+AFM
Attachment
AF
AFM / AFD
AR
AL
AW

AC10-A Series

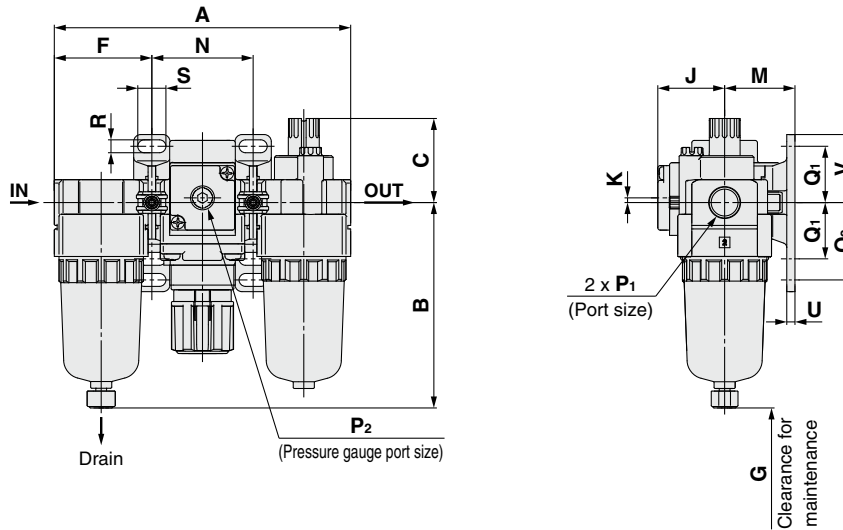
AC20-B to AC60-B Series

Dimensions

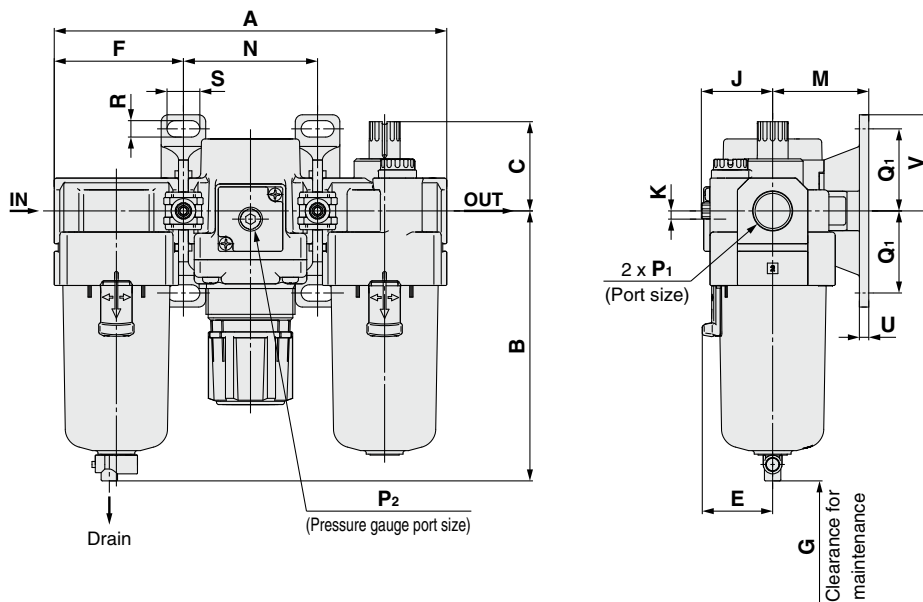
AC10-A



AC20-B

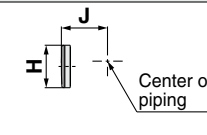
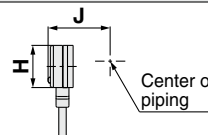
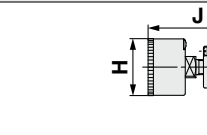
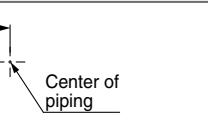


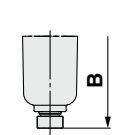
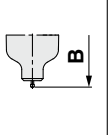
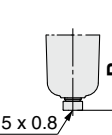
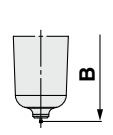
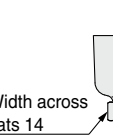
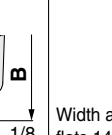
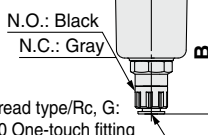
AC25-B to AC60-B

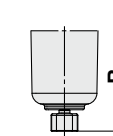
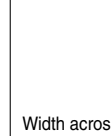
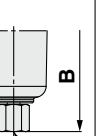
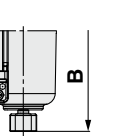

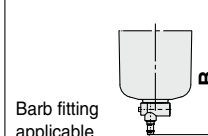


Air Combination **AC10-A Series**

Air Combination **AC20-B to AC60-B Series**

Option	Square embedded type pressure gauge	Digital pressure switch	Round type pressure gauge	Round type pressure gauge (with color zone)
Dimensions				

Applicable model	AC10-A		AC20-B				AC25-B to AC60-B	
	Optional/Semi-standard specifications	With auto drain	Metal bowl	With auto drain	Metal bowl	With drain guide	Metal bowl with drain guide	With auto drain (N.O./N.C.)
Dimensions								N.O.: Black N.C.: Gray Thread type/Rc, G: ø10 One-touch fitting Thread type/NPT: ø3/8" One-touch fitting

Applicable model	AC25-B to AC60-B						
	Optional/Semi-standard specifications	Metal bowl	Metal bowl with drain guide	Metal bowl with level gauge	Metal bowl with level gauge, with drain guide	With drain guide	Drain cock with barb fitting
Dimensions							Barb fitting applicable tubing: T0604

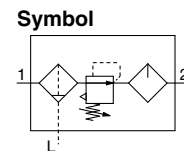
Model	Standard specifications																	
	P ₁	P ₂	A	B	C	E	F	G	J	K	Bracket mount							
											M	N	Q ₁	Q ₂	R	S	U	V
AC10-A	M5 x 0.8	1/16	87	59.9	25.5	—	28	35	12.5	—	25	31	20	27	4.5	6.8	3	24.5
AC20-B	1/8, 1/4	1/8	126.4	87.6	35.9	—	41.6	60	28.5	2* ¹	30	43.2	24	33	5.5	12	3.5	29
AC25-B	1/4, 3/8	1/8	167.4	115.1	38.1	30	55.1	80	27.5	0	41	57.2	35	—	7	14	4	41
AC30-B	1/4, 3/8	1/8	167.4	115.1	38.1	30	55.1	80	29.4	3.5	41	57.2	35	—	7	14	4	41
AC40-B	1/4, 3/8, 1/2	1/8	220.4	147.1	39.8	38.4	72.6	110	33.8	3.5	50	75.2	40	—	9	18	5	48
AC40-06-B	3/4	1/8	235.4	149.1	37.8	38.4	77.6	110	33.8	3	50	80.2	40	—	9	18	5	48
AC50-B	3/4, 1	1/8	282.4	220.1	41.2	—	93.1	110	43.3	3.2	70	96.2	50	—	11	20	6	60
AC55-B	1	1/8	292.4	234.1	44.7	—	98.1	110	43.3	3.2	70	96.2	50	—	11	20	6	60
AC60-B	1	1/8	297.4	234.1	44.7	—	98.1	110	43.3	3.2	70	101.2	50	—	11	20	6	60

Model	Optional specifications								Semi-standard specifications							
	Square embedded type pressure gauge		Digital pressure switch		Round type pressure gauge		Round type pressure gauge (with color zone)		With auto drain	With barb fitting	With drain guide	Metal bowl	Metal bowl with drain guide	Metal bowl with level gauge	Metal bowl with level gauge, with drain guide	
	H	J	H	J	H	J	H	J	B	B	B	B	B	B	B	
AC10-A	—	—	—	—	ø26	26	—	—	77.9	—	—	59.3	—	—	—	
AC20-B	□28	29.5	□27.8	40	ø37.5	65	ø37.5	66	104.9	—	91.4	87.4	93.9	—	—	
AC25-B	□28	28.5	□27.8	39	ø37.5	64	ø37.5	65	156.8	123.6	121.9	117.6	122.1	137.6	142.1	
AC30-B	□28	30.4	□27.8	40.9	ø37.5	65.9	ø37.5	66.9	156.8	123.6	121.9	117.6	122.1	137.6	142.1	
AC40-B	□28	34.8	□27.8	45.3	ø42.5	71.3	ø42.5	71.3	186.9	155.6	153.9	149.6	154.1	169.6	174.1	
AC40-06-B	□28	34.8	□27.8	45.3	ø42.5	71.3	ø42.5	71.3	188.9	157.6	155.9	151.6	156.1	171.6	176.1	
AC50-B	□28	44.3	□27.8	54.8	ø42.5	80.8	ø42.5	80.8	259.9	228.6	226.9	222.6	227.1	242.6	247.1	
AC55-B	□28	44.3	□27.8	54.8	ø42.5	80.8	ø42.5	80.8	273.9	242.6	240.9	236.6	241.1	256.6	261.1	
AC60-B	□28	44.3	□27.8	54.8	ø42.5	80.8	ø42.5	80.8	273.9	242.6	240.9	236.6	241.1	256.6	261.1	

*1 For the AC20-B only, the position of the pressure gauge is above the center of the piping.

AC
 AF+AR+AL
 AW+AL
 AF+AR
 AF+AFM+AR
 AW+AFM
 Attachment
 AF
 AFM/AFD
 AR
 AL
 AW

AC10A-A



How to Order

Refer to page 17 for size 20 to 60.

AC10A-M5 - - A
① ②

- Option/Semi-standard: Select one each for **a** to **h**.
- Option/Semi-standard symbol: When more than one specification is required, indicate in alphanumeric order.
 Example) AC10-M5CG-12NR-A

		Symbol	Description		
①	Option	a	Float type auto drain		
			Nil	Without auto drain	
		b	Pressure gauge		
			C *1	N.C. (Normally closed) Drain port is closed when pressure is not applied.	
		+			
		Nil	Without pressure gauge		
		G *2	Round type pressure gauge (without limit indicator)		
		+			
②	Semi-standard	c	Set pressure *3		
			Nil	0.05 to 0.7 MPa setting	
		d	Bowl *4		
			1	0.02 to 0.2 MPa setting	
			Nil	Polycarbonate bowl	
		e	Lubricator lubricant exhaust port		
			2	Metal bowl	
		f	Exhaust mechanism		
			6	Nylon bowl	
				+	
				Nil	Without drain cock
				3	Lubricator with drain cock
		+			
		Nil	Relieving type		
		N	Non-relieving type		
		+			
		Nil	Flow direction: Left to right		
		R	Flow direction: Right to left		
		+			
		Nil	Name plate, caution plate for bowl, and pressure gauge in SI units: MPa		
		Z *5	Name plate, caution plate for bowl, and pressure gauge in imperial units: psi, °F		

*1 When pressure is not applied, condensate which does not start the auto drain mechanism will be left in the bowl. Releasing the residual condensate before ending operations for the day is recommended.
 *2 A 1.0 MPa pressure gauge will be fitted. It is not assembled and supplied loose at the time of shipment.
 *3 Pressure can be set higher than the specification pressure in some cases, but use pressure within the specification range.
 *4 Refer to chemical data on page 46 for chemical resistance of the bowl.
 *5 This product is for overseas use only according to the new Measurement Act. (The SI unit type is provided for use in Japan.)



AC10A-A

Standard Specifications

Component	Filter Regulator [AW]	AW10-A
	Lubricator [AL]	AL10-A
Port size		M5 x 0.8
Pressure gauge port size [AW]		1/16
Fluid		Air
Ambient and fluid temperature		-5 to 60°C (with no freezing)
Proof pressure		1.5 MPa
Maximum operating pressure		1.0 MPa
Set pressure range [AW]		0.05 to 0.7 MPa
Nominal filtration rating [AW]		5 μm
Recommended lubricant [AL]		Class 1 turbine oil (ISO VG32)
Bowl material [AW/AL]		Polycarbonate
Construction [AW]		Relieving type
Weight [kg]		0.2

AC

AF+AR+AL

AW+AL

AF+AR

AF+AFM+AR

AW+AFM

Attachment

AF

AFM / AFD

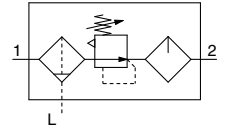
AR

AL

AW

AC20A-B to AC60A-B

Symbol



The AC20A to 60A-B is to be discontinued as of March 2025. Select the AC20A to 60A-D as a substitute. [Click here for details.](#)

How to Order

Refer to page 15 for size 10.

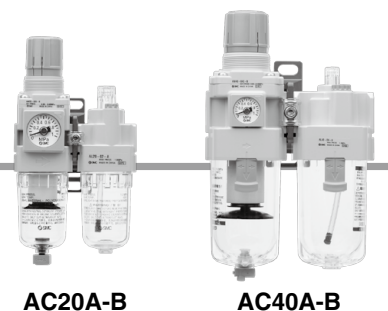
AC **30** A - **03** **DE** - **01** - **03** - **B**

1
2
3
4
5
6

- Option/Semi-standard: Select one each for a to l.
- Option/Attachment/Semi-standard symbol: When more than one specification is required, indicate in alphanumeric order. Example) AC30A-F03DE1-KSV-136NR-B

		Symbol	Description	1					
				Body size					
				20	30	40	50	60	
2	Pipe thread type	Nil	Rc	●	●	●	●	●	
		N*1	NPT	●	●	●	●	●	
		F*2	G	●	●	●	●	●	
+									
3	Port size	01	1/8	●	—	—	—	—	
		02	1/4	●	●	●	—	—	
		03	3/8	—	●	●	—	—	
		04	1/2	—	—	●	—	—	
		06	3/4	—	—	●	●	—	
		10	1	—	—	—	●	●	
+									
4	a	Float type auto drain	Nil	Without auto drain	●	●	●	●	●
			C*4	N.C. (Normally closed) Drain port is closed when pressure is not applied.	●	●	●	●	●
			D*5	N.O. (Normally open) Drain port is open when pressure is not applied.	—	●	●	●	●
	+								
	b	Pressure gauge *6	Nil	Without pressure gauge	●	●	●	●	●
			E	Square embedded type pressure gauge (with limit indicator)	●	●	●	●	●
			G	Round type pressure gauge (with limit indicator)	●	●	●	●	●
			M	Round type pressure gauge (with color zone)	●	●	●	●	●
		Digital pressure switch	E1	Output: NPN output, Electrical entry: Wiring bottom entry	●	●	●	●	●
			E2	Output: NPN output, Electrical entry: Wiring top entry	●	●	●	●	●
			E3	Output: PNP output, Electrical entry: Wiring bottom entry	●	●	●	●	●
	E4	Output: PNP output, Electrical entry: Wiring top entry	●	●	●	●	●		
+									
5	c	Check valve	Nil	Without attachment	●	●	●	●	●
			K	Mounting position: AW+K+AL	●	●	●*7	—	—
	+								
	d	Pressure switch	Nil	Without attachment	●	●	●	●	●
			S*8	Mounting position: AW+S+AL	●	●	●	●	●
	+								
e	Pressure relief 3 port valve	Nil	Without attachment	●	●	●	●	●	
		V	Mounting position: AW+AL+V	●	●	●	●	—	
+									
6	f	Set pressure *9	Nil	0.05 to 0.85 MPa setting	●	●	●	●	●
			1	0.02 to 0.2 MPa setting	●	●	●	●	●
	+								
	g	Bowl *10	Nil	Polycarbonate bowl	●	●	●	●	●
			2	Metal bowl	●	●	●	●	●
			6	Nylon bowl	●	●	●	●	●
			8	Metal bowl with level gauge	—	●	●	●	●
			C	With bowl guard	●	—*11	—*11	—*11	—*11
			6C	With bowl guard (Nylon bowl)	●	—*12	—*12	—*12	—*12
	+								
	h	Filter regulator drain port *13	Nil	With drain cock	●	●	●	●	●
			J*14	Drain guide 1/8	●	—	—	—	—
			J*14	Drain guide 1/4	—	●	●	●	●
			W*15	Drain cock with barb fitting: For ø6 x ø4 nylon tube	—	●	●	●	●

Air Combination **AC20A-B to AC60A-B Series**



AC20A-B

AC40A-B

		Symbol	Description	①							
				Body size							
				20	30	40	50	60			
⑥	Semi-standard	i	Lubricator lubricant exhaust port	Nil	Without drain cock		●	●	●	●	●
				3*16	Lubricator with drain cock		●	●	●	●	●
		j	Exhaust mechanism	Nil	Relieving type		●	●	●	●	●
				N	Non-relieving type		●	●	●	●	●
		k	Flow direction	Nil	Flow direction: Left to right		●	●	●	●	●
				R	Flow direction: Right to left		●	●	●	●	●
	l	Pressure unit	Nil	Name plate, caution plate for bowl, and pressure gauge in SI units: MPa		●	●	●	●	●	
			Z*17	Name plate, caution plate for bowl, and pressure gauge in imperial units: psi, °F		○*19	○*19	○*19	○*19	○*19	
			ZA*18	Digital pressure switch: With unit selection function		△*20	△*20	△*20	△*20	△*20	

- *1 Drain guide is NPT1/8 (applicable to the AC20A-B) and NPT1/4 (applicable to the AC30A-B to AC60A-B). The auto drain port comes with ø3/8" One-touch fitting (applicable to the AC30A-B to AC60A-B).
- *2 Drain guide is G1/8 (applicable to the AC20A-B) and G1/4 (applicable to the AC30A-B to AC60A-B).
- *3 Options G, M are not assembled and supplied loose at the time of shipment.
- *4 When pressure is not applied, condensate which does not start the auto drain mechanism will be left in the bowl. Releasing the residual condensate before ending operations for the day is recommended.
- *5 If the compressor is small (0.75 kW, discharge flow is less than 100 L/min[ANR]), air leakage from the drain cock may occur during start of operations. N.C. type is recommended.
- *6 When the pressure gauge is attached, a 1.0 MPa

- pressure gauge will be fitted for standard (0.85 MPa) type. 0.4 MPa pressure gauge for 0.2 MPa type.
- *7 Not available with piping port size: 06
- *8 The bracket position varies depending on the pressure switch mounting.
- *9 Pressure can be set higher than the specification pressure in some cases, but use pressure within the specification range.
- *10 Refer to chemical data on page 46 for chemical resistance of the bowl.
- *11 A bowl guard is provided as standard equipment (polycarbonate).
- *12 A bowl guard is provided as standard equipment (nylon).
- *13 The combination of float type auto drain: C and D is not available.
- *14 Without a valve function

- *15 The combination of metal bowl: 2 and 8 is not available.
- *16 When choosing with W: Filter drain port, the drain cock of a lubricator will be with barb fittings.
- *17 For pipe thread type: NPT. This product is for overseas use only according to the new Measurement Act. (The SI unit type is provided for use in Japan.) Cannot be used with M: Round type pressure gauge (with color zone). Available by request for special. The digital pressure switch will be equipped with the unit selection function, setting to psi initially.
- *18 For options: E1, E2, E3, E4. This product is for overseas use only according to the new Measurement Act. (The SI unit is provided for use in Japan.)
- *19 ○: For pipe thread type: NPT only
- *20 △: Select with options: E1, E2, E3, E4.

Standard Specifications

Model		AC20A-B	AC30A-B	AC40A-B	AC40A-06-B	AC50A-B	AC60A-B
Component	Filter Regulator [AW]	AW20-B	AW30-B	AW40-B	AW40-06-B	AW60-B	AW60-B
	Lubricator [AL]	AL20-A	AL30-A	AL40-A	AL40-06-A	AL50-A	AL60-A
Port size		1/8, 1/4	1/4, 3/8	1/4, 3/8, 1/2	3/4	3/4, 1	1
Pressure gauge port size [AW] *1		1/8					
Fluid		Air					
Ambient and fluid temperature *2		-5 to 60°C (with no freezing)					
Proof pressure		1.5 MPa					
Maximum operating pressure		1.0 MPa					
Set pressure range [AW]		0.05 to 0.85 MPa					
Nominal filtration rating [AW]		5 µm					
Recommended lubricant [AL]		Class 1 turbine oil (ISO VG32)					
Bowl material [AW/AL]		Polycarbonate					
Bowl guard [AW/AL]		Semi-standard (Steel)	Standard (Polycarbonate)				
Construction [AW]		Relieving type					
Weight [kg]		0.33	0.63	1.15	1.25	3.21	3.36

- *1 Pressure gauge connection threads are not available for F.R.L. unit with a square embedded type pressure gauge or with a digital pressure switch.
- *2 -5 to 50°C for the products with the digital pressure switch

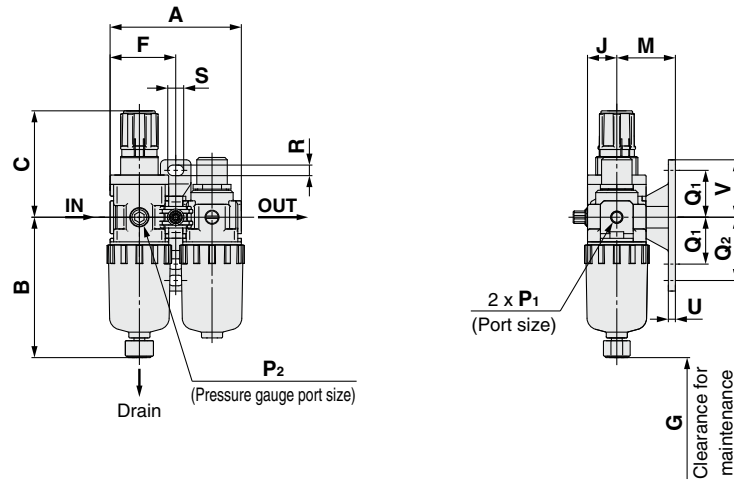
AC
 AF+AR+AL
 AW+AL
 AF+AR
 AF+AFM+AR
 AF+AFM
 AW+AFM
 Attachment
 AF
 AFM / AFD
 AR
 AL
 AW

AC10A-A Series

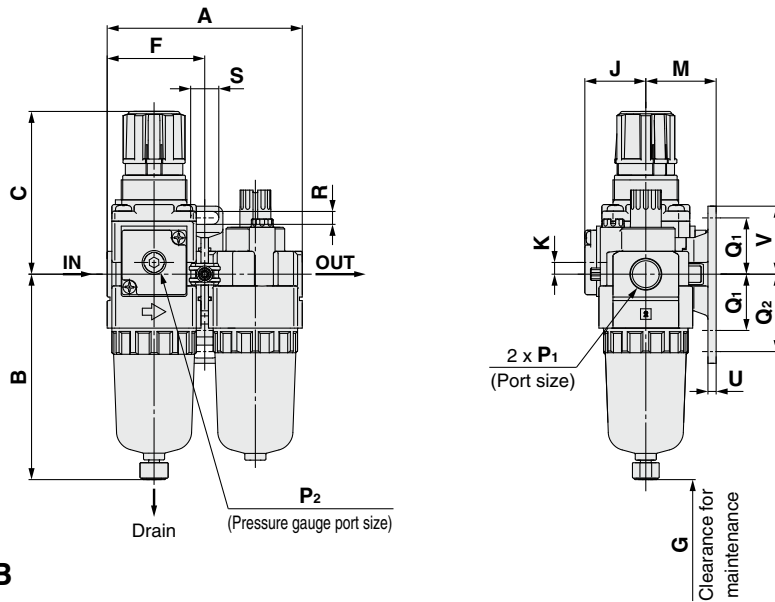
AC20A-B to AC60A-B Series

Dimensions

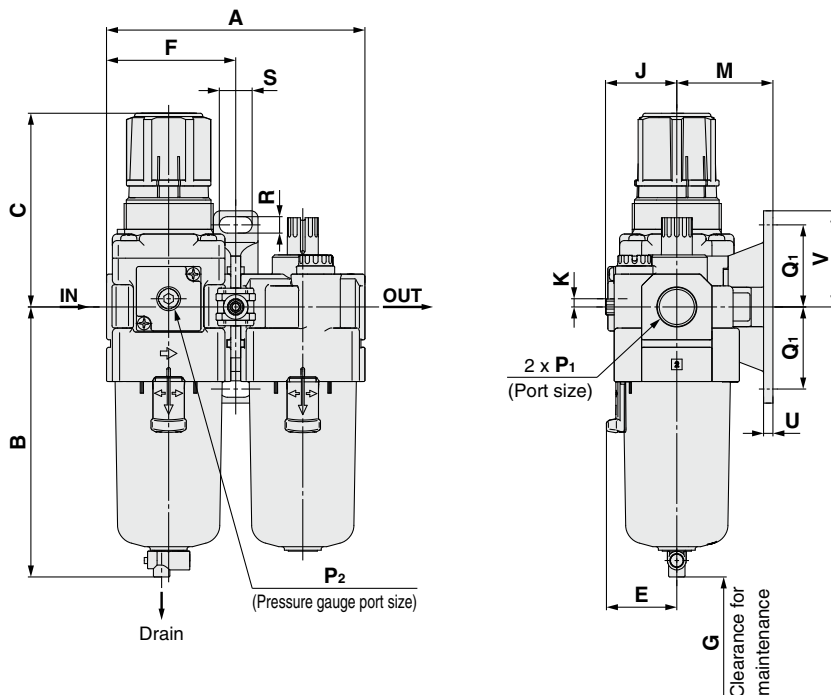
AC10A-A



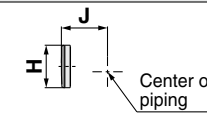
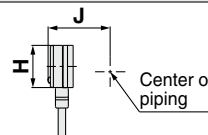
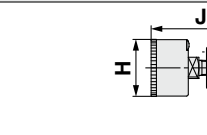
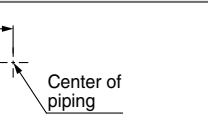
AC20A-B

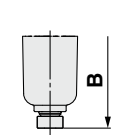
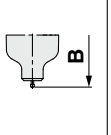
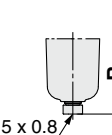
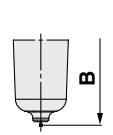
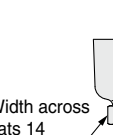

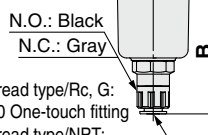


AC30A-B to AC60A-B

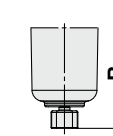
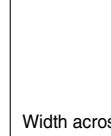
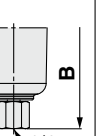
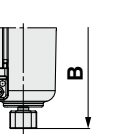

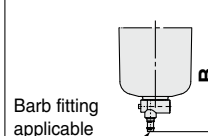


Air Combination **AC10A-A Series** Air Combination **AC20A-B to AC60A-B Series**

Option	Square embedded type pressure gauge	Digital pressure switch	Round type pressure gauge	Round type pressure gauge (with color zone)
Dimensions				

Applicable model	AC10A-A		AC20A-B				AC30A-B to AC60A-B
	Optional/Semi-standard specifications	With auto drain	Metal bowl	With auto drain	Metal bowl	With drain guide	Metal bowl with drain guide
Dimensions							

N.O.: Black
N.C.: Gray
Thread type/Rc, G: $\phi 10$ One-touch fitting
Thread type/NPT: $\phi 3/8$ " One-touch fitting

Applicable model	AC30A-B to AC60A-B					
	Optional/Semi-standard specifications	Metal bowl	Metal bowl with drain guide	Metal bowl with level gauge	Metal bowl with level gauge, with drain guide	With drain guide
Dimensions						

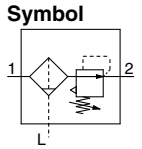
Barb fitting applicable tubing: T0604

Model	Standard specifications																
	P ₁	P ₂	A	B	C*1	E	F	G	J	K	Bracket mount						
											M	Q ₁	Q ₂	R	S	U	V
AC10A-A	M5 x 0.8	1/16	56	59.9	47.4	—	28	25	12.5	—	25	20	27	4.5	6.8	3	24.5
AC20A-B	1/8, 1/4	1/8	83.2	87.6	72.4	—	41.6	60	28.5	5	30	24	33	5.5	12	3.5	29
AC30A-B	1/4, 3/8	1/8	110.2	115.1	85.6	30	55.1	80	29.4	3.5	41	35	—	7	14	4	41
AC40A-B	1/4, 3/8, 1/2	1/8	145.2	147.1	91.7	38.4	72.6	110	33.8	1.5	50	40	—	9	18	5	48
AC40A-06-B	3/4	1/8	155.2	149.1	93.2	38.4	77.6	110	33.8	1.2	50	40	—	9	18	5	48
AC50A-B	3/4, 1	1/8	191.2	234.1	175.5	—	98.1	110	43.3	3.2	70	50	—	11	20	6	60
AC60A-B	1	1/8	196.2	234.1	175.5	—	98.1	110	43.3	3.2	70	50	—	11	20	6	60

Model	Optional specifications								Semi-standard specifications							
	Square embedded type pressure gauge		Digital pressure switch		Round type pressure gauge		Round type pressure gauge (with color zone)		With auto drain	With barb fitting	With drain guide	Metal bowl	Metal bowl with drain guide	Metal bowl with level gauge	Metal bowl with level gauge, with drain guide	
	H	J	H	J	H	J	H	J	B	B	B	B	B	B	B	
AC10A-A	—	—	—	—	$\phi 26$	26	—	—	77.9	—	—	59.3	—	—	—	
AC20A-B	$\square 28$	27	$\square 27.8$	37.5	$\phi 37.5$	62.5	$\phi 37.5$	63.5	104.9	—	91.4	87.4	93.9	—	—	
AC30A-B	$\square 28$	30	$\square 27.8$	40.9	$\phi 37.5$	66.9	$\phi 37.5$	67.9	156.8	123.6	121.9	117.6	122.1	137.6	142.1	
AC40A-B	$\square 28$	38.4	$\square 27.8$	48.8	$\phi 42.5$	75.7	$\phi 42.5$	75.7	186.9	155.6	153.9	149.6	154.1	169.6	174.1	
AC40A-06-B	$\square 28$	38.4	$\square 27.8$	48.8	$\phi 42.5$	75.7	$\phi 42.5$	75.7	188.9	157.6	155.9	151.6	156.1	171.6	176.1	
AC50A-B	$\square 28$	44.3	$\square 27.8$	61.3	$\phi 42.5$	80.8	$\phi 42.5$	80.8	273.9	242.6	240.9	236.6	241.1	256.6	261.1	
AC60A-B	$\square 28$	44.3	$\square 27.8$	61.3	$\phi 42.5$	80.8	$\phi 42.5$	80.8	273.9	242.6	240.9	236.6	241.1	256.6	261.1	

*1 The dimension of C is the length when the filter regulator knob is unlocked.

AC
 AF+AR+AL
 AW+AL
 AF+AR
 AF+AFM+AR
 AW+AFM
 Attachment
 AF
 AFM / AFD
 AR
 AL
 AW



How to Order

Refer to page 23 for size 20 to 60.

AC10B-M5 - - - A

1
 2
 3

• Option/Semi-standard: Select one each for a to g.
 • Option/Semi-standard symbol: When more than one specification is required, indicate in alphanumeric order.
 Example) AC10B-M5CG-T-12NR-A

		Symbol	Description	
1	Option	a	Float type auto drain	Nil Without auto drain
			C *1 N.C. (Normally closed) Drain port is closed when pressure is not applied.	
		b	Pressure gauge	Nil Without pressure gauge
				G *2 Round type pressure gauge (without limit indicator)
+				
2	Attachment (T-spacer) *3	Nil Without attachment		
		T Mounting position: AF+ T +AR		
+				
3	Semi-standard	c	Set pressure *4	Nil 0.05 to 0.7 MPa setting
			1 0.02 to 0.2 MPa setting	
		+		
		d	Bowl *5	Nil Polycarbonate bowl
				2 Metal bowl
				6 Nylon bowl
		+		
		e	Exhaust mechanism	Nil Relieving type
				N Non-relieving type
		+		
f	Flow direction	Nil Flow direction: Left to right		
		R Flow direction: Right to left		
+				
g	Pressure unit	Nil Name plate, caution plate for bowl, and pressure gauge in SI units: MPa		
		Z *6 Name plate, caution plate for bowl, and pressure gauge in imperial units: psi, °F		

*1 When pressure is not applied, condensate which does not start the auto drain mechanism will be left in the bowl. Releasing the residual condensate before ending operations for the day is recommended.
 *2 A 1.0 MPa pressure gauge will be fitted. It is not assembled and supplied loose at the time of shipment.
 *3 The bracket position varies depending on the T-spacer mounting.
 *4 Pressure can be set higher than the specification pressure in some cases, but use pressure within the specification range.
 *5 Refer to chemical data on page 46 for chemical resistance of the bowl.
 *6 This product is for overseas use only according to the new Measurement Act. (The SI unit type is provided for use in Japan.)



AC10B-A

Standard Specifications

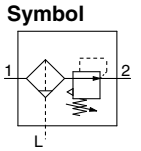
Component	Air Filter [AF]	AF10-A
	Regulator [AR]	AR10-A
Port size		M5 x 0.8
Pressure gauge port size [AR]		1/16
Fluid		Air
Ambient and fluid temperature		-5 to 60°C (with no freezing)
Proof pressure		1.5 MPa
Maximum operating pressure		1.0 MPa
Set pressure range [AR]		0.05 to 0.7 MPa
Nominal filtration rating [AF]		5 μm
Bowl material [AF]		Polycarbonate
Construction [AR]		Relieving type
Weight [kg]		0.16

AC
AF+AR+AL
AW+AL
AF+AR
AF+AFM+AR
AW+AFM
Attachment
AF
AFM / AFD
AR
AL
AW

Air Combination

Air Filter + Regulator

AC20B-B to AC60B-B



The AC20B to 60B-B is to be discontinued as of March 2025. Select the AC20B to 60B-D as a substitute. [Click here for details.](#)

How to Order

Refer to page 21 for size 10.

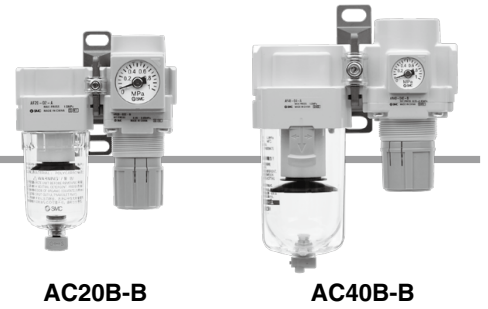
AC **30** B - **03** **DE** - **01** - **01** - B

1
2
3
4
5
6

- Option/Semi-standard: Select one each for a to j.
- Option/Attachment/Semi-standard symbol: When more than one specification is required, indicate in alphanumeric order. Example) AC30B-F03DE1-SV-16NR-B

		Symbol	Description	1							
				Body size							
				20	25	30	40	50	55	60	
2	Pipe thread type	Nil	Rc	●	●	●	●	●	●	●	
		N*1	NPT	●	●	●	●	●	●	●	
		F*2	G	●	●	●	●	●	●	●	
+											
3	Port size	01	1/8	●	—	—	—	—	—	—	
		02	1/4	●	●	●	●	—	—	—	
		03	3/8	—	●	●	●	—	—	—	
		04	1/2	—	—	—	●	—	—	—	
		06	3/4	—	—	—	●	●	—	—	
		10	1	—	—	—	—	●	●	●	
+											
4	a	Float type auto drain	Nil	Without auto drain	●	●	●	●	●	●	●
			C*4	N.C. (Normally closed) Drain port is closed when pressure is not applied.	●	●	●	●	●	●	●
			D*5	N.O. (Normally open) Drain port is open when pressure is not applied.	—	●	●	●	●	●	●
	+										
	b	Pressure gauge *6	Nil	Without pressure gauge	●	●	●	●	●	●	●
			E	Square embedded type pressure gauge (with limit indicator)	●	●	●	●	●	●	●
			G	Round type pressure gauge (with limit indicator)	●	●	●	●	●	●	●
			M	Round type pressure gauge (with color zone)	●	●	●	●	●	●	●
		Digital pressure switch	E1	Output: NPN output, Electrical entry: Wiring bottom entry	●	●	●	●	●	●	●
			E2	Output: NPN output, Electrical entry: Wiring top entry	●	●	●	●	●	●	●
			E3	Output: PNP output, Electrical entry: Wiring bottom entry	●	●	●	●	●	●	●
	E4	Output: PNP output, Electrical entry: Wiring top entry	●	●	●	●	●	●	●		
+											
5	c	Pressure switch	Nil	Without attachment	●	●	●	●	●	●	●
			S*7	Mounting position: AF+S+AR	●	●	●	●	●	●	●
	T-spacer	T*7	Mounting position: AF+T+AR	●	●	●	●	●	●	●	
		+									
d	Pressure relief 3 port valve	Nil	Without attachment	●	●	●	●	●	●	●	
		V	Mounting position: AF+AR+V	●	●	●	●	●	—	—	
		V1*8	Mounting position: V+AF+AR□K	●	●	●	●	●	—	—	
+											
6	e	Set pressure *9	Nil	0.05 to 0.85 MPa setting	●	●	●	●	●	●	●
			1	0.02 to 0.2 MPa setting	●	●	●	●	●	●	●
	+										
	f	Bowl *10	Nil	Polycarbonate bowl	●	●	●	●	●	●	●
			2	Metal bowl	●	●	●	●	●	●	●
			6	Nylon bowl	●	●	●	●	●	●	●
			8	Metal bowl with level gauge	—	●	●	●	●	●	●
			C	With bowl guard	●	—*11	—*11	—*11	—*11	—*11	—*11
	6C	With bowl guard (Nylon bowl)	●	—*12	—*12	—*12	—*12	—*12	—*12		
	+										
g	Air filter drain port *13	Nil	With drain cock	●	●	●	●	●	●	●	
		J*14	Drain guide 1/8	●	—	—	—	—	—	—	
		W*15	Drain guide 1/4	—	●	●	●	●	●	●	
			Drain cock with barb fitting: For ø6 x ø4 nylon tube	—	●	●	●	●	●	●	

Air Combination **AC20B-B to AC60B-B Series**



AC20B-B

AC40B-B

		Symbol	Description	①							
				Body size							
				20	25	30	40	50	55	60	
6	h	Exhaust mechanism	Nil	Relieving type	●	●	●	●	●	●	●
			N	Non-relieving type	●	●	●	●	●	●	●
				+							
	i	Flow direction	Nil	Flow direction: Left to right	●	●	●	●	●	●	●
			R	Flow direction: Right to left	●	●	●	●	●	●	●
				+							
j	Pressure unit	Nil	Name plate, caution plate for bowl, and pressure gauge in SI units: MPa	●	●	●	●	●	●	●	
		Z*16	Name plate, caution plate for bowl, and pressure gauge in imperial units: psi, °F	○*18	○*18	○*18	○*18	○*18	○*18	○*18	
		ZA*17	Digital pressure switch: With unit selection function	△*19	△*19	△*19	△*19	△*19	△*19	△*19	

- *1 Drain guide is NPT1/8 (applicable to the AC20B-B) and NPT1/4 (applicable to the AC25B-B to AC60B-B). The auto drain port comes with ø3/8" One-touch fitting (applicable to the AC25B-B to AC60B-B).
- *2 Drain guide is G1/8 (applicable to the AC20B-B) and G1/4 (applicable to the AC25B-B to AC60B-B).
- *3 Options G, M are not assembled and supplied loose at the time of shipment.
- *4 When pressure is not applied, condensate which does not start the auto drain mechanism will be left in the bowl. Releasing the residual condensate before ending operations for the day is recommended.
- *5 If the compressor is small (0.75 kW, discharge flow is less than 100 L/min[ANR]), air leakage from the drain cock may occur during start of operations. N.C. type is recommended.
- *6 When the pressure gauge is attached, a 1.0 MPa

- pressure gauge will be fitted for standard (0.85 MPa) type. 0.4 MPa pressure gauge for 0.2 MPa type.
- *7 The bracket position varies depending on the T-spacer or pressure switch mounting.
- *8 Make sure that the outlet pressure is released to atmospheric pressure using a pressure gauge.
- *9 Pressure can be set higher than the specification pressure in some cases, but use pressure within the specification range.
- *10 Refer to chemical data on page 46 for chemical resistance of the bowl.
- *11 A bowl guard is provided as standard equipment (polycarbonate).
- *12 A bowl guard is provided as standard equipment (nylon).
- *13 The combination of float type auto drain: C and D is not available.

- *14 Without a valve function
- *15 The combination of metal bowl: 2 and 8 is not available.
- *16 For pipe thread type: NPT.
This product is for overseas use only according to the new Measurement Act. (The SI unit type is provided for use in Japan.)
Cannot be used with M: Round pressure gauge (with color zone). Available by request for special.
The digital pressure switch will be equipped with the unit selection function, setting to psi initially.
- *17 For options: E1, E2, E3, E4. This product is for overseas use only according to the new Measurement Act. (The SI unit is provided for use in Japan.)
- *18 ○: For pipe thread type: NPT only
- *19 △: Select with options: E1, E2, E3, E4.

Standard Specifications

Model		AC20B-B	AC25B-B	AC30B-B	AC40B-B	AC40B-06-B	AC50B-B	AC55B-B	AC60B-B
Component	Air Filter [AF]	AF20-A	AF30-A	AF30-A	AF40-A	AF40-06-A	AF50-A	AF60-A	AF60-A
	Regulator [AR]	AR20-B	AR25-B	AR30-B	AR40-B	AR40-06-B	AR50-B	AR50-B	AR60-B
Port size		1/8, 1/4	1/4, 3/8	1/4, 3/8	1/4, 3/8, 1/2	3/4	3/4, 1	1	1
Pressure gauge port size [AR] *1		1/8							
Fluid		Air							
Ambient and fluid temperature *2		-5 to 60°C (with no freezing)							
Proof pressure		1.5 MPa							
Maximum operating pressure		1.0 MPa							
Set pressure range [AR]		0.05 to 0.85 MPa							
Nominal filtration rating [AF]		5 μm							
Bowl material [AF]		Polycarbonate							
Bowl guard [AF]		Semi-standard (Steel)	Standard (Polycarbonate)						
Construction [AR]		Relieving type							
Weight [kg]		0.27	0.45	0.53	0.91	0.99	2.27	2.40	2.45

- *1 Pressure gauge connection threads are not available for F.R.L. unit with a square embedded type pressure gauge or with a digital pressure switch.
- *2 -5 to 50°C for the products with the digital pressure switch

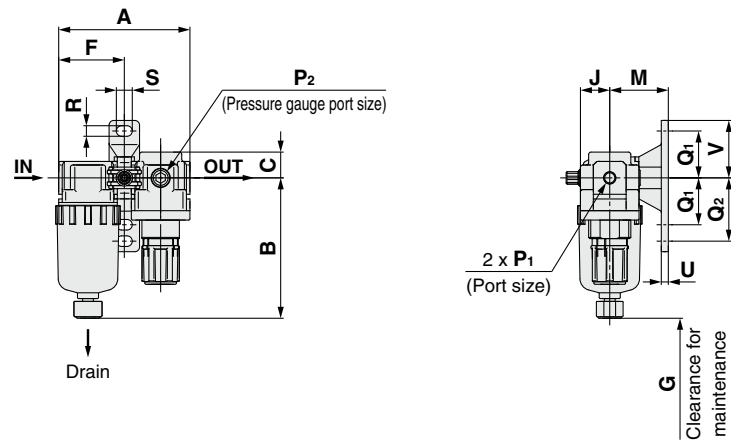
AC
 AF+AR+AL
 AW+AL
 AF+AR
 AF+AFM+AR
 AW+AFM
 Attachment
 AF
 AFM / AFD
 AR
 AL
 AW

AC10B-A Series

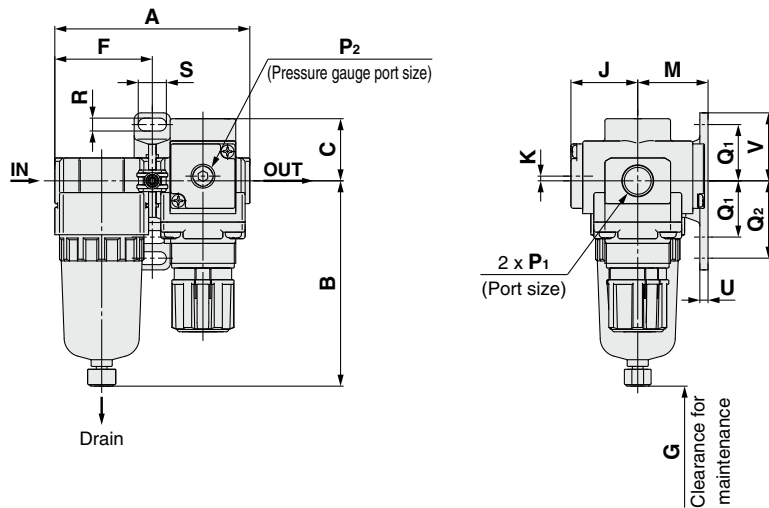
AC20B-B to AC60B-B Series

Dimensions

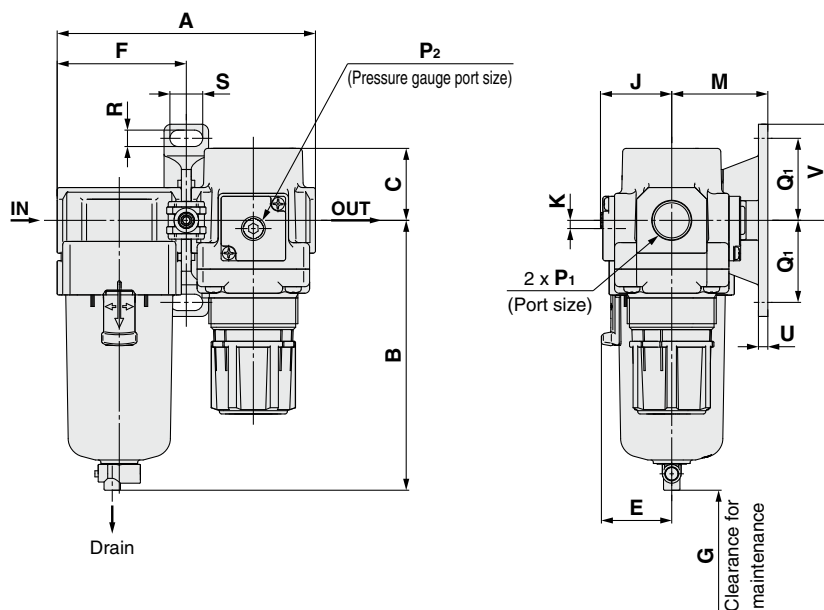
AC10B-A



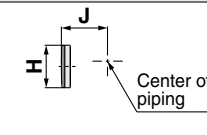
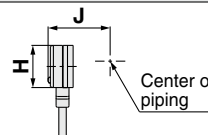
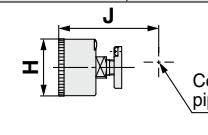

AC20B-B

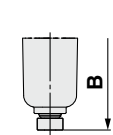
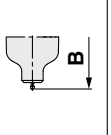
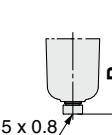
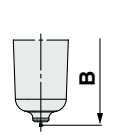
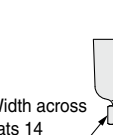

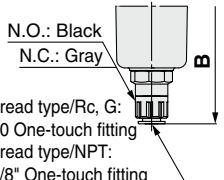


AC25B-B to AC60B-B

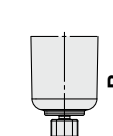
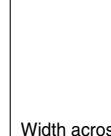
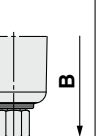
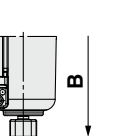

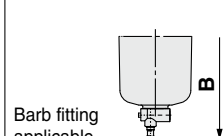


Air Combination **AC10B-A Series** Air Combination **AC20B-B to AC60B-B Series**

Option	Square embedded type pressure gauge	Digital pressure switch	Round type pressure gauge	Round type pressure gauge (with color zone)
Dimensions				

Applicable model	AC10B-A		AC20B-B				AC25B-B to AC60B-B
	Optional/Semi-standard specifications	With auto drain	Metal bowl	With auto drain	Metal bowl	With drain guide	Metal bowl with drain guide
Dimensions							

N.O.: Black
N.C.: Gray
Thread type/Rc, G: $\phi 10$ One-touch fitting
Thread type/NPT: $\phi 3/8"$ One-touch fitting

Applicable model	AC25B-B to AC60B-B					
	Optional/Semi-standard specifications	Metal bowl	Metal bowl with drain guide	Metal bowl with level gauge	Metal bowl with level gauge, with drain guide	With drain guide
Dimensions						

Barb fitting applicable tubing: T0604

Model	Standard specifications																
	P ₁	P ₂	A	B	C	E	F	G	J	K	Bracket mount						
											M	Q ₁	Q ₂	R	S	U	V
AC10B-A	M5 x 0.8	1/16	56	59.9	11	—	28	25	12.5	—	25	20	27	4.5	6.8	3	24.5
AC20B-B	1/8, 1/4	1/8	83.2	87.6	26.5	—	41.6	25	28.5	2* ¹	30	24	33	5.5	12	3.5	29
AC25B-B	1/4, 3/8	1/8	110.2	115.1	28	30	55.1	35	27.5	0	41	35	—	7	14	4	41
AC30B-B	1/4, 3/8	1/8	110.2	115.1	30.7	30	55.1	35	29.4	3.5	41	35	—	7	14	4	41
AC40B-B	1/4, 3/8, 1/2	1/8	145.2	147.1	35.8	38.4	72.6	40	33.8	3.5	50	40	—	9	18	5	48
AC40B-06-B	3/4	1/8	155.2	149.1	35.8	38.4	77.6	40	33.8	3	50	40	—	9	18	5	48
AC50B-B	3/4, 1	1/8	186.2	220.1	43	—	93.1	30	43.3	3.2	70	50	—	11	20	6	60
AC55B-B	1	1/8	191.2	234.1	43	—	98.1	30	43.3	3.2	70	50	—	11	20	6	60
AC60B-B	1	1/8	196.2	234.1	46	—	98.1	30	43.3	3.2	70	50	—	11	20	6	60

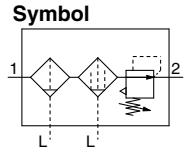
Model	Optional specifications								Semi-standard specifications							
	Square embedded type pressure gauge		Digital pressure switch		Round type pressure gauge		Round type pressure gauge (with color zone)		With auto drain	With barb fitting	With drain guide	Metal bowl	Metal bowl with drain guide	Metal bowl with level gauge	Metal bowl with level gauge, with drain guide	
	H	J	H	J	H	J	H	J	B	B	B	B	B	B	B	
AC10B-A	—	—	—	—	$\phi 26$	26	—	—	77.9	—	—	59.3	—	—	—	
AC20B-B	$\square 28$	29.5	$\square 27.8$	40	$\phi 37.5$	65	$\phi 37.5$	66	104.9	—	91.4	87.4	93.9	—	—	
AC25B-B	$\square 28$	28.5	$\square 27.8$	39	$\phi 37.5$	64	$\phi 37.5$	65	156.8	123.6	121.9	117.6	122.1	137.6	142.1	
AC30B-B	$\square 28$	30.4	$\square 27.8$	40.9	$\phi 37.5$	65.9	$\phi 37.5$	66.9	156.8	123.6	121.9	117.6	122.1	137.6	142.1	
AC40B-B	$\square 28$	34.8	$\square 27.8$	45.3	$\phi 42.5$	71.3	$\phi 42.5$	71.3	186.9	155.6	153.9	149.6	154.1	169.6	174.1	
AC40B-06-B	$\square 28$	34.8	$\square 27.8$	45.3	$\phi 42.5$	71.3	$\phi 42.5$	71.3	188.9	157.6	155.9	151.6	156.1	171.6	176.1	
AC50B-B	$\square 28$	44.3	$\square 27.8$	54.8	$\phi 42.5$	80.8	$\phi 42.5$	80.8	259.9	228.6	226.9	222.6	227.1	242.6	247.1	
AC55B-B	$\square 28$	44.3	$\square 27.8$	54.8	$\phi 42.5$	80.8	$\phi 42.5$	80.8	273.9	242.6	240.9	236.6	241.1	256.6	261.1	
AC60B-B	$\square 28$	44.3	$\square 27.8$	54.8	$\phi 42.5$	80.8	$\phi 42.5$	80.8	273.9	242.6	240.9	236.6	241.1	256.6	261.1	

*1 For the AC20B-B only, the position of the pressure gauge is above the center of the piping.

AC
 AF+AR+AL
 AF+AR
 AW+AL
 AF+AR
 AW+AFM
 AFM+AFD
 AR
 AL
 AW

Air Filter + Mist Separator + Regulator

AC20C-B to AC40C-B



The AC20C to 40C-B is to be discontinued as of March 2025. Select the AC20C to 40C-D as a substitute. [Click here for details.](#)

How to Order

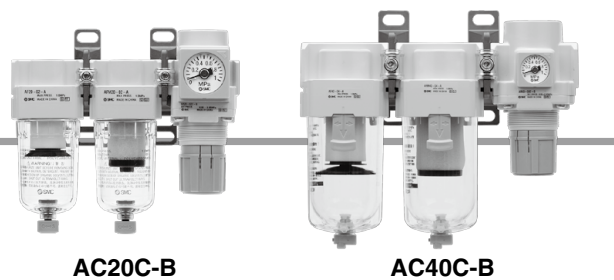
AC **30** C - **03** DE - **01** - **03** - B

① ② ③ ④ ⑤ ⑥

- Option/Semi-standard: Select one each for a to j.
- Option/Attachment/Semi-standard symbol: When more than one specification is required, indicate in alphanumeric order. Example) AC30C-F03DE1-SV-16NR-B

		Symbol	Description	①					
				Body size					
				20	25	30	40		
②	Pipe thread type	Nil	Rc	●	●	●	●		
		N*1	NPT	●	●	●	●		
		F*2	G	●	●	●	●		
+									
③	Port size	01	1/8	●	—	—	—		
		02	1/4	●	●	●	●		
		03	3/8	—	●	●	●		
		04	1/2	—	—	—	●		
		06	3/4	—	—	—	●		
+									
④	a	Float type auto drain	Nil	Without auto drain	●	●	●	●	
			C*4	N.C. (Normally closed) Drain port is closed when pressure is not applied.	●	●	●	●	
			D*5	N.O. (Normally open) Drain port is open when pressure is not applied.	—	●	●	●	
	+								
	b	Pressure gauge *6	Nil	Without pressure gauge	●	●	●	●	
			E	Square embedded type pressure gauge (with limit indicator)	●	●	●	●	
			G	Round type pressure gauge (with limit indicator)	●	●	●	●	
			M	Round type pressure gauge (with color zone)	●	●	●	●	
		Digital pressure switch	E1	Output: NPN output, Electrical entry: Wiring bottom entry	●	●	●	●	
			E2	Output: NPN output, Electrical entry: Wiring top entry	●	●	●	●	
			E3	Output: PNP output, Electrical entry: Wiring bottom entry	●	●	●	●	
	E4	Output: PNP output, Electrical entry: Wiring top entry	●	●	●	●			
	+								
	⑤	c	Pressure switch	Nil	Without attachment	●	●	●	●
				S*7	Mounting position: AF+AFM+S+AR	●	●	●	●
T-spacer			T*7	Mounting position: AF+AFM+T+AR	●	●	●	●	
+									
d	Pressure relief 3 port valve	Nil	Without attachment	●	●	●	●		
		V	Mounting position: AF+AFM+AR+V	●	●	●	●		
		V1*8	Mounting position: V+AF+AFM+AR□K	●	●	●	●		
+									
⑥	e	Set pressure *9	Nil	0.05 to 0.85 MPa setting	●	●	●	●	
			1	0.02 to 0.2 MPa setting	●	●	●	●	
	+								
	f	Bowl *10	Nil	Polycarbonate bowl	●	●	●	●	
			2	Metal bowl	●	●	●	●	
			6	Nylon bowl	●	●	●	●	
			8	Metal bowl with level gauge	—	●	●	●	
			C	With bowl guard	●	—*11	—*11	—*11	
			6C	With bowl guard (Nylon bowl)	●	—*12	—*12	—*12	
	+								
	g	Air filter Mist separator drain port *13	Nil	With drain cock	●	●	●	●	
			J*14	Drain guide 1/8	●	—	—	—	
			W*15	Drain cock with barb fitting: For ø6 x ø4 nylon tube	—	●	●	●	
			W*15	Drain cock with barb fitting: For ø6 x ø4 nylon tube	—	●	●	●	
	+								
h	Exhaust mechanism	Nil	Relieving type	●	●	●	●		
		N	Non-relieving type	●	●	●	●		

Air Combination **AC20C-B to AC40C-B Series**



		Symbol	Description	① Body size				
				20	25	30	40	
⑥	Semi-standard	i	Flow direction	Nil	Flow direction: Left to right			
				R	Flow direction: Right to left			
			+					
	j	Pressure unit	Nil	Name plate, caution plate for bowl, and pressure gauge in SI units: MPa				
			Z*16	Name plate, caution plate for bowl, and pressure gauge in imperial units: psi, °F				
			ZA*17	Digital pressure switch: With unit selection function				
			●	●	●	●		
			○*18	○*18	○*18	○*18		
			△*19	△*19	△*19	△*19		

- *1 Drain guide is NPT1/8 (applicable to the AC20C-B) and NPT1/4 (applicable to the AC25C-B to AC40C-B).
The auto drain port comes with ø3/8" One-touch fitting (applicable to the AC25C-B to AC40C-B).
- *2 Drain guide is G1/8 (applicable to the AC20C-B) and G1/4 (applicable to the AC25C-B to AC40C-B).
- *3 Options G, M are not assembled and supplied loose at the time of shipment.
- *4 When pressure is not applied, condensate which does not start the auto drain mechanism will be left in the bowl. Releasing the residual condensate before ending operations for the day is recommended.
- *5 If the compressor is small (0.75 kW, discharge flow is less than 100 L/min [ANR]), air leakage from the drain cock may occur during start of operations. N.C. type is recommended.

- *6 When the pressure gauge is attached, a 1.0 MPa pressure gauge will be fitted for standard (0.85 MPa) type. 0.4 MPa pressure gauge for 0.2 MPa type.
- *7 The bracket position varies depending on the T-spacer or pressure switch mounting.
- *8 Make sure that the outlet pressure is released to atmospheric pressure using a pressure gauge.
- *9 Pressure can be set higher than the specification pressure in some cases, but use pressure within the specification range.
- *10 Refer to chemical data on page 46 for chemical resistance of the bowl.
- *11 A bowl guard is provided as standard equipment (polycarbonate).
- *12 A bowl guard is provided as standard equipment (nylon).
- *13 The combination of float type auto drain: C and D is

- not available.
- *14 Without a valve function
- *15 The combination of metal bowl: 2 and 8 is not available.
- *16 For pipe thread type: NPT.
This product is for overseas use only according to the new Measurement Act. (The SI unit type is provided for use in Japan.)
Cannot be used with M: Round type pressure gauge (with color zone). Available by request for special.
The digital pressure switch will be equipped with the unit selection function, setting to psi initially.
- *17 For options: E1, E2, E3, E4. This product is for overseas use only according to the new Measurement Act. (The SI unit is provided for use in Japan.)
- *18 ○: For pipe thread type: NPT only
- *19 △: Select with options: E1, E2, E3, E4.

Standard Specifications

Model		AC20C-B	AC25C-B	AC30C-B	AC40C-B	AC40C-06-B
Component	Air Filter [AF]	AF20-A	AF30-A	AF30-A	AF40-A	AF40-06-A
	Mist Separator [AFM]	AFM20-A	AFM30-A	AFM30-A	AFM40-A	AFM40-06-A
	Regulator [AR]	AR20-B	AR25-B	AR30-B	AR40-B	AR40-06-B
Port size		1/8, 1/4	1/4, 3/8	1/4, 3/8	1/4, 3/8, 1/2	3/4
Pressure gauge port size [AR] *1		1/8				
Fluid		Air				
Ambient and fluid temperature *2		-5 to 60°C (with no freezing)				
Proof pressure		1.5 MPa				
Maximum operating pressure		1.0 MPa				
Set pressure range [AR]		0.05 to 0.85 MPa				
Nominal filtration rating [AF/AFM]		AF: 5 µm, AFM: 0.3 µm (99.9% filtered particle size)				
Rated flow [L/min(ANR)] [AFM] *3		200	450	450	1100	1100
Outlet side oil mist concentration [AFM] *4 *5		Max.1.0 mg/m ³ (ANR) (≈0.8 ppm)				
Bowl material [AF/AFM]		Polycarbonate				
Bowl guard [AF/AFM]		Semi-standard (Steel)	Standard (Polycarbonate)			
Construction [AR]		Relieving type				
Weight [kg]		0.38	0.69	0.77	1.39	1.53

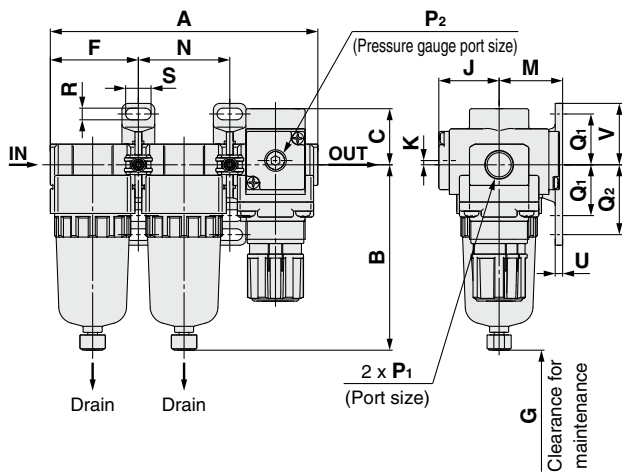
- *1 Pressure gauge connection threads are not available for F.R.L. unit with a square embedded type pressure gauge or with a digital pressure switch.
- *2 -5 to 50°C for the products with the digital pressure switch
- *3 Conditions: Mist separator inlet pressure: 0.7 MPa; The rated flow varies depending on the inlet pressure.
Keep the air flow within the rated flow to prevent an outflow of lubricant to the outlet side.
- *4 When the compressor oil mist discharge concentration is 30 mg/m³ (ANR).
- *5 Bowl seal and other O-rings are slightly lubricated.

AC
 AF+AR+AL
 AW+AL
 AF+AR
 AF+AFM+AR
 AW+AFM
 Attachment
 AF
 AFM/AFD
 AR
 AL
 AW

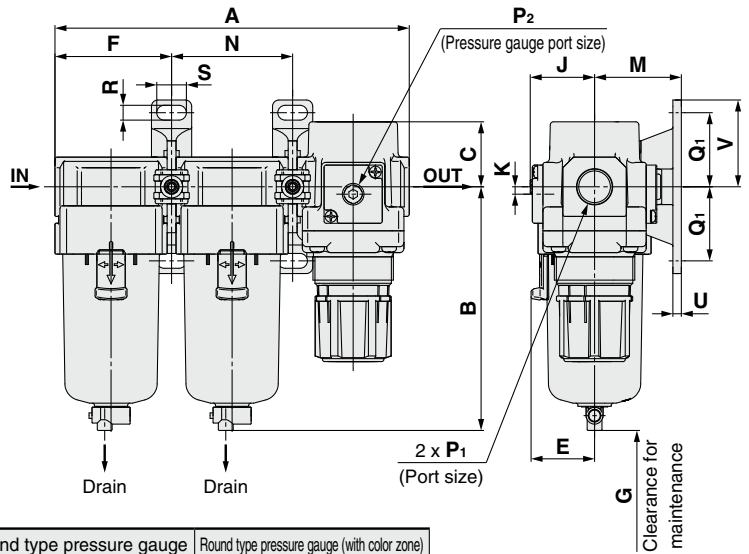
AC20C-B to AC40C-B Series

Dimensions

AC20C-B



AC25C-B to AC40C-06-B



Option	Square embedded type pressure gauge	Digital pressure switch	Round type pressure gauge	Round type pressure gauge (with color zone)
Dimensions				

Applicable model	AC20C-B				AC25C-B to AC40C-06-B	
Optional/Semi-standard specifications	With auto drain (N.C.)	With drain guide	Metal bowl	Metal bowl with drain guide	With auto drain (N.O./N.C.)	
Dimensions						

Applicable model	AC25C-B to AC40C-06-B					
Optional/Semi-standard specifications	Metal bowl	Metal bowl with drain guide	Metal bowl with level gauge	Metal bowl with level gauge, with drain guide	With drain guide	Drain cock with barb fitting
Dimensions						

Model	Standard specifications																	
	P1										Bracket mount							
	P1	P2	A	B	C	E	F	G	J	K	M	N	Q1	Q2	R	S	U	V
AC20C-B	1/8, 1/4	1/8	126.4	87.6	26.5	—	41.6	40	28.5	2 *1	30	43.2	24	33	5.5	12	3.5	29
AC25C-B	1/4, 3/8	1/8	167.4	115.1	28	30	55.1	50	27.5	0	41	57.2	35	—	7	14	4	41
AC30C-B	1/4, 3/8	1/8	167.4	115.1	30.7	30	55.1	50	29.4	3.5	41	57.2	35	—	7	14	4	41
AC40C-B	1/4, 3/8, 1/2	1/8	220.4	147.1	35.8	38.4	72.6	75	33.8	3.5	50	75.2	40	—	9	18	5	48
AC40C-06-B	3/4	1/8	235.4	149.1	35.8	38.4	77.6	75	33.8	3	50	80.2	40	—	9	18	5	48

Model	Optional specifications								Semi-standard specifications							
	Square embedded type pressure gauge		Digital pressure switch		Round type pressure gauge		Round type pressure gauge (with color zone)		With auto drain	With barb fitting	With drain guide	Metal bowl	Metal bowl with drain guide	Metal bowl with level gauge	Metal bowl with level gauge, with drain guide	
	H	J	H	J	H	J	H	J	B	B	B	B	B	B	B	
AC20C-B	□28	29.5	□27.8	40	ø37.5	65	ø37.5	66	104.9	—	91.4	87.4	93.9	—	—	
AC25C-B	□28	28.5	□27.8	39	ø37.5	64	ø37.5	65	156.8	123.6	121.9	117.6	122.1	137.6	142.1	
AC30C-B	□28	30.4	□27.8	40.9	ø37.5	65.9	ø37.5	66.9	156.8	123.6	121.9	117.6	122.1	137.6	142.1	
AC40C-B	□28	34.8	□27.8	45.3	ø42.5	71.3	ø42.5	71.3	186.9	155.6	153.9	149.6	154.1	169.6	174.1	
AC40C-06-B	□28	34.8	□27.8	45.3	ø42.5	71.3	ø42.5	71.3	188.9	157.6	155.9	151.6	156.1	171.6	176.1	

*1 For the AC20C-B only, the position of the pressure gauge is above the center of the piping.

AW

AL

AR

AFM / AFD

AF

Attachment

AW+AFM

AF+AFM+AR

AF+AR

AW+AL

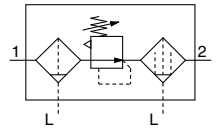
AF+AR+AL

AC

Filter Regulator + Mist Separator

AC20D-B to AC40D-B

Symbol



The AC20D to 40D-B is to be discontinued as of March 2025. Select the AC20D to 40D-D as a substitute. [Click here for details.](#)

How to Order

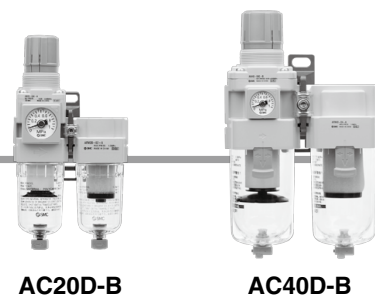
AC **30** D - **03** DE - **01** - **03** - B

① ② ③ ④ ⑤ ⑥

- Option/Semi-standard: Select one each for a to j.
- Option/Attachment/Semi-standard symbol: When more than one specification is required, indicate in alphanumeric order. Example) AC30D-F03DE1-SV-16NR-B

	Symbol	Description	① Body size				
			20	30	40		
② Pipe thread type	Nil	Rc	●	●	●		
	N*1	NPT	●	●	●		
	F*2	G	●	●	●		
+							
③ Port size	01	1/8	●	—	—		
	02	1/4	●	●	●		
	03	3/8	—	●	●		
	04	1/2	—	—	●		
	06	3/4	—	—	●		
+							
④ Option*3	a Float type auto drain	Nil	Without auto drain	●	●	●	
		C*4	N.C. (Normally closed) Drain port is closed when pressure is not applied.	●	●	●	
		D*5	N.O. (Normally open) Drain port is open when pressure is not applied.	—	●	●	
	+						
	b Pressure gauge*6	Nil	Without pressure gauge	●	●	●	
		E	Square embedded type pressure gauge (with limit indicator)	●	●	●	
		G	Round type pressure gauge (with limit indicator)	●	●	●	
		M	Round type pressure gauge (with color zone)	●	●	●	
		Digital pressure switch	E1	Output: NPN output, Electrical entry: Wiring bottom entry	●	●	●
			E2	Output: NPN output, Electrical entry: Wiring top entry	●	●	●
			E3	Output: PNP output, Electrical entry: Wiring bottom entry	●	●	●
	E4		Output: PNP output, Electrical entry: Wiring top entry	●	●	●	
	+						
⑤ Attachment	c Pressure switch	Nil	Without attachment	●	●	●	
		S*7	Mounting position: AW+S+AFM	●	●	●	
	+						
	d Pressure relief 3 port valve	Nil	Without attachment	●	●	●	
		V	Mounting position: AW+AFM+V	●	●	●	
V1*8		Mounting position: V+AW□K+AFM	●	●	●		
+							
⑥ Semi-standard	e Set pressure*9	Nil	0.05 to 0.85 MPa setting	●	●	●	
		1	0.02 to 0.2 MPa setting	●	●	●	
	+						
	f Bowl*10	Nil	Polycarbonate bowl	●	●	●	
		2	Metal bowl	●	●	●	
		6	Nylon bowl	●	●	●	
		8	Metal bowl with level gauge	—	●	●	
		C	With bowl guard	●	—*11	—*11	
		6C	With bowl guard (Nylon bowl)	●	—*12	—*12	
	+						
	g Filter regulator Mist separator drain port*13	Nil	With drain cock	●	●	●	
		J*14	Drain guide 1/8	●	—	—	
		W*15	Drain guide 1/4	—	●	●	
			Drain cock with barb fitting: For ø6 x ø4 nylon tube	—	●	●	
	+						
	h Exhaust mechanism	Nil	Relieving type	●	●	●	
		N	Non-relieving type	●	●	●	
+							
i Flow direction	Nil	Flow direction: Left to right	●	●	●		
	R	Flow direction: Right to left	●	●	●		

Air Combination **AC20D-B to AC40D-B Series**



		Symbol	Description	①			
				Body size			
				20	30	40	
⑥	Semi-standard	j	Pressure unit	Nil	●	●	●
				Z*16	○*18	○*18	○*18
				ZA*17	△*19	△*19	△*19

- *1 Drain guide is NPT1/8 (applicable to the AC20D-B) and NPT1/4 (applicable to the AC30D-B/AC40D-B). The auto drain port comes with $\phi 3/8$ " One-touch fitting (applicable to the AC30D-B/AC40D-B).
- *2 Drain guide is G1/8 (applicable to the AC20D-B) and G1/4 (applicable to the AC30D-B/AC40D-B).
- *3 Options G, M are not assembled and supplied loose at the time of shipment.
- *4 When pressure is not applied, condensate which does not start the auto drain mechanism will be left in the bowl. Releasing the residual condensate before ending operations for the day is recommended.
- *5 If the compressor is small (0.75 kW, discharge flow is less than 100 L/min [ANR]), air leakage from the drain cock may occur during start of operations. N.C. type is recommended.
- *6 When the pressure gauge is attached, a 1.0 MPa

- pressure gauge will be fitted for standard (0.85 MPa) type. 0.4 MPa pressure gauge for 0.2 MPa type.
- *7 The bracket position varies depending on the pressure switch mounting.
- *8 Make sure that the outlet pressure is released to atmospheric pressure using a pressure gauge.
- *9 Pressure can be set higher than the specification pressure in some cases, but use pressure within the specification range.
- *10 Refer to chemical data on page 46 for chemical resistance of the bowl.
- *11 A bowl guard is provided as standard equipment (polycarbonate).
- *12 A bowl guard is provided as standard equipment (nylon).
- *13 The combination of float type auto drain: C and D is not available.

- *14 Without a valve function
- *15 The combination of metal bowl: 2 and 8 is not available.
- *16 For pipe thread type: NPT. This product is for overseas use only according to the new Measurement Act. (The SI unit type is provided for use in Japan.) Cannot be used with M: Round type pressure gauge (with color zone). Available by request for special. The digital pressure switch will be equipped with the unit selection function, setting to psi initially.
- *17 For options: E1, E2, E3, E4. This product is for overseas use only according to the new Measurement Act. (The SI unit is provided for use in Japan.)
- *18 ○: For pipe thread type: NPT only
- *19 △: Select with options: E1, E2, E3, E4.

Standard Specifications

Model		AC20D-B	AC30D-B	AC40D-B	AC40D-06-B
Component	Filter Regulator [AW]	AW20-B	AW30-B	AW40-B	AW40-06-B
	Mist Separator [AFM]	AFM20-A	AFM30-A	AFM40-A	AFM40-06-A
Port size		1/8, 1/4	1/4, 3/8	1/4, 3/8, 1/2	3/4
Pressure gauge port size [AW] *1		1/8			
Fluid		Air			
Ambient and fluid temperature *2		-5 to 60°C (with no freezing)			
Proof pressure		1.5 MPa			
Maximum operating pressure		1.0 MPa			
Set pressure range [AW]		0.05 to 0.85 MPa			
Nominal filtration rating [AW/AFM]		AW: 5 μ m, AFM: 0.3 μ m (99.9% filtered particle size)			
Rated flow [L/min(ANR)] [AFM] *3		150	330	800	800
Outlet side oil mist concentration [AFM] *4 *5		Max.1.0 mg/m ³ (ANR) (\approx 0.8 ppm)			
Bowl material [AW/AFM]		Polycarbonate			
Bowl guard [AW/AFM]		Semi-standard (Steel)	Standard (Polycarbonate)		
Construction [AW]		Relieving type			
Weight [kg]		0.32	0.62	1.15	1.25

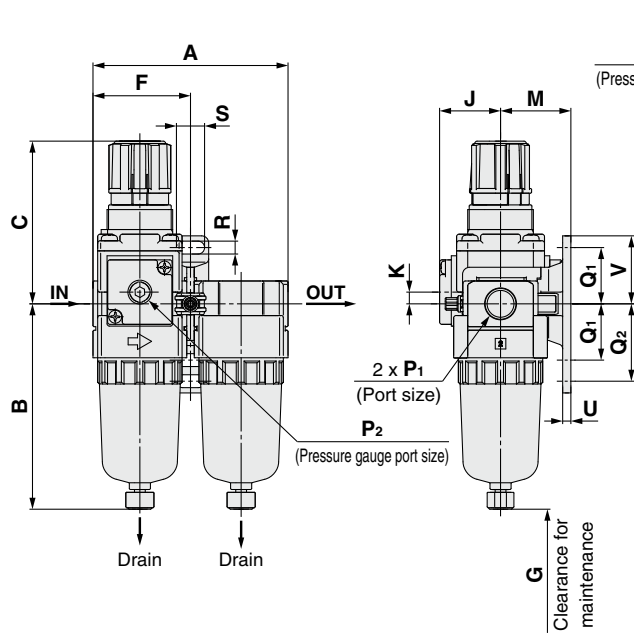
- *1 Pressure gauge connection threads are not available for F.R.L. unit with a square embedded type pressure gauge or with a digital pressure switch.
- *2 -5 to 50°C for the products with the digital pressure switch
- *3 Conditions: Mist separator inlet pressure: 0.5 MPa; The rated flow varies depending on the inlet pressure. Keep the air flow within the rated flow to prevent an outflow of lubricant to the outlet side.
- *4 When the compressor oil mist discharge concentration is 30 mg/m³ (ANR).
- *5 Bowl seal and other O-rings are slightly lubricated.

AC
 AF+AR+AL
 AW+AL
 AW+AL
 AF+AR
 AF+AFM+AR
 AW+AFM
 Attachment
 AF
 AFM/AFD
 AR
 AL
 AW

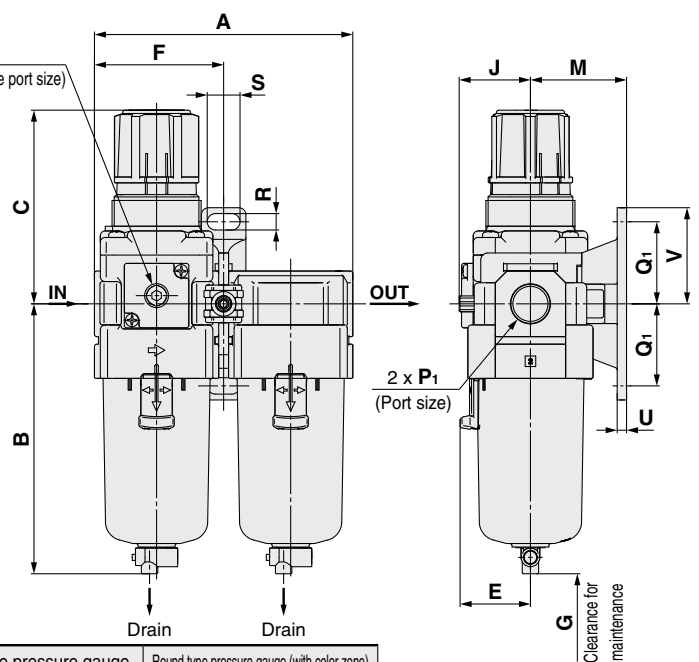
AC20D-B to AC40D-B Series

Dimensions

AC20D-B



AC30D-B to AC40D-06-B



Option	Square embedded type pressure gauge	Digital pressure switch	Round type pressure gauge	Round type pressure gauge (with color zone)
Dimensions	Center of piping	Center of piping	Center of piping	

Applicable model	AC20D-B				AC30D-B to AC40D-06-B
Optional/Semi-standard specification	With auto drain (N.C.)	With drain guide	Metal bowl	Metal bowl with drain guide	With auto drain (N.O./N.C.)
Dimensions	M5 x 0.8 B	Width across flats 14 1/8 B	B	Width across flats 14 1/8 B	N.O.: Black N.C.: Gray Thread type/Rc: G: $\phi 10$ One-touch fitting Thread type/NPT: $\phi 3/8$ " One-touch fitting B

Applicable model	AC30D-B to AC40D-06-B					
Optional/Semi-standard specification	Metal bowl	Metal bowl with drain guide	Metal bowl with level gauge	Metal bowl with level gauge, with drain guide	With drain guide	Drain cock with barb fitting
Dimensions	B	Width across flats 17 1/4 B	B	Width across flats 17 1/4 B	Width across flats 17 1/4 B	Barb fitting applicable tubing: T0604 B

Model	Standard specifications											Bracket mount					
	P ₁	P ₂	A	B	C*1	E	F	G	J	K	M	Q ₁	Q ₂	R	S	U	V
AC20D-B	1/8, 1/4	1/8	83.2	87.6	72.4	—	41.6	40	26	5	30	24	33	5.5	12	3.5	29
AC30D-B	1/4, 3/8	1/8	110.2	115.1	85.6	30	55.1	50	30.4	3.5	41	35	—	7	14	4	41
AC40D-B	1/4, 3/8, 1/2	1/8	145.2	147.1	91.7	38.4	72.6	75	37.3	1.5	50	40	—	9	18	5	48
AC40D-06-B	3/4	1/8	155.2	149.1	93.2	38.4	77.6	75	39.8	1.2	50	40	—	9	18	5	48

Model	Optional specifications								Semi-standard specifications							
	Square embedded type pressure gauge		Digital pressure switch		Round type pressure gauge		Round type pressure gauge (with color zone)		With auto drain	With barb fitting	With drain guide	Metal bowl	Metal bowl with drain guide	Metal bowl with level gauge	Metal bowl with level gauge, with drain guide	
	H	J	H	J	H	J	H	J	B	B	B	B	B	B	B	
AC20D-B	□28	27	□27.8	37.5	□37.5	62.5	□37.5	63.5	104.9	—	91.4	87.4	93.9	—	—	
AC30D-B	□28	30	□27.8	40.9	□37.5	66.9	□37.5	67.9	156.8	123.6	121.9	117.6	122.1	137.6	142.1	
AC40D-B	□28	38.4	□27.8	48.8	□42.5	75.7	□42.5	75.7	186.9	155.6	153.9	149.6	154.1	169.6	174.1	
AC40D-06-B	□28	38.4	□27.8	48.8	□42.5	75.7	□42.5	75.7	188.9	157.6	155.9	151.6	156.1	171.6	176.1	

*1 The dimension of C is the length when the filter regulator knob is unlocked.

Air Combination AC Series Options/Attachments

Options/Attachments/Part No.

Section	Description	Model	Part no.									
			For AC10-A	For AC20-B	For AC25-B	For AC30-B	For AC40-B	For AC40-06-B	For AC50-B	For AC55-B	For AC60-B	
			For AC10A-A	For AC20A-B	—	For AC30A-B	For AC40A-B	For AC40A-06-B	For AC50A-B	—	For AC60A-B	
			For AC10B-A	For AC20B-B	For AC25B-B	For AC30B-B	For AC40B-B	For AC40B-06-B	For AC50B-B	For AC55B-B	For AC60B-B	
Option	Pressure gauge *1	Round type	Standard	G27-10-R1	G36-10-□01			G46-10-□01				
		0.02 to 0.2 MPa setting	G27-10-R1	G36-4-□01			G46-4-□01					
	Round type (with color zone)	Standard	—	G36-10-□01-L			G46-10-□01-L					
		0.02 to 0.2 MPa setting	—	G36-4-□01-L			G46-4-□01-L					
	Square embedded type *2	Standard	—	GC3-10AS [GC3P-010AS (Pressure gauge cover only)]								
		0.02 to 0.2 MPa setting	—	GC3-4AS [GC3P-010AS (Pressure gauge cover only)]								
	Digital pressure switch	NPN output, Wiring bottom entry	—	ISE35-N-25-MLA [ISE35-N-25-M (Switch body only)] *3								
		NPN output, Wiring top entry	—	ISE35-R-25-MLA [ISE35-R-25-M (Switch body only)] *3								
		PNP output, Wiring bottom entry	—	ISE35-N-65-MLA [ISE35-N-65-M (Switch body only)] *3								
		PNP output, Wiring top entry	—	ISE35-R-65-MLA [ISE35-R-65-M (Switch body only)] *3								
Float type auto drain *4	N.O.	—	AD38-A			AD48-A						
	N.C.	AD17-A	AD27-A	AD37-A		AD47-A						
Spacer	Y100-A	Y200-A	Y300-A		Y400-A	Y500-A	Y600-A					
Spacer with bracket	Y100T-A	Y200T-A	Y300T-A		Y400T-A	Y500T-A	Y600T-A					
Check valve *5 *6	—	AKM2000-□01-A (□02-A)	AKM3000-(□01)-A (□02-A)		AKM4000-(□02)-A (□03-A)		—	—	—			
Pressure switch *6	—	IS10M-20-A	IS10M-30-A		IS10M-40-A	IS10M-50-A	IS10M-60-A					
T-spacer *5 *6	Y110-M5-A	Y210-□01-A (□02-A)	Y310-(□01)-A (□02-A)	Y410-(□02)-A (□03-A)	Y510-(□02)-A (□03-A)	Y610-□03-A (□04-A)	Y610-(□03)-A (□04-A)					
Pressure relief 3 port valve *6	—	VHS20-□01A (□02A)	VHS30-□02A (□03A)		VHS40-□03A (□04A)	VHS40-□06A	VHS50-□06A (□10A)	—	—			
Piping adapter *6	E100-M5-A	□01-A (□02-A) (□03-A)	□02-A (□03-A) (□04-A)		□02-A (□03-A) (□04-A) (□06-A)	E500-□06-A	E600-□06-A (□10-A)					
Pressure switch with piping adapter *6	—	□01-A (IS10E-20□02-A) (□03-A)	□02-A (IS10E-30□03-A) (□04-A)		□02-A (IS10E-40□03-A) (□04-A) (□06-A)	—	—	—	—			
Cross spacer *6	Y14-M5-A	Y24-□01-A (□02-A)	Y34-□01-A (□02-A)		Y44-□02-A (□03-A)	Y54-□03-A (□04-A)	—	—	—			

*1 □ in part numbers for a round type pressure gauge indicates a pipe thread type. No indication is necessary for R; however, indicate N for NPT. Please contact SMC regarding the connection thread NPT and pressure gauge supply for psi unit specifications.

*2 Including one O-ring and 2 mounting screws

*3 Lead wire with connector (2 m), adapter, lock pin, O-ring (1 pc.), mounting screw (2 pcs.) are attached. []: Switch body only.

Regarding how to order the digital pressure switch, refer to the **Web Catalog**.
*4 Minimum operating pressure: N.O. type-0.1 MPa; N.C. type-0.1 MPa (AD27-A) and 0.15 MPa (AD37-A/AD47-A). Please consult with SMC separately for psi and °F unit display specifications.

*5 For F.R.L. units, port sizes without () are standard specifications.

*6 Separate spacers are required for modular unit.

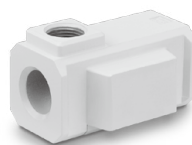
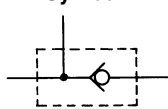
Check Valve: (K) 1/8, 1/4, 3/8

A check valve with intermediate air release port can be easily installed to prevent a backflow of lubricant when redirecting the air flow and releasing the air on the outlet side of the regulator.

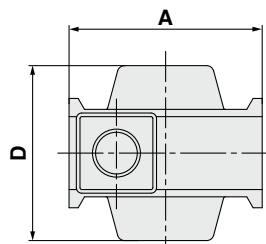
AKM **30** **00** - **□** **01** - **A**

① ② ③

Symbol



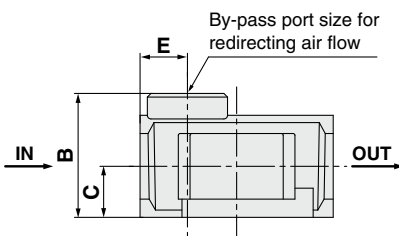
Symbol	Description	① Body size		
		20	30	40
② Pipe thread type	Nil	●	●	●
	N	●	●	●
	F	●	●	●
③ By-pass port size	01	●	●	—
	02	●	●	●
	03	—	—	●



Specifications

Model	Effective area [mm ²]
AKM2000-A	28
AKM3000-A	55
AKM4000-A	111

Be sure to use above check valves when redirecting the air flow on the inlet side of the lubricator. Threads for IN and OUT ports are not machined.



Model	By-pass port size	A	B	C	D	E	Applicable model
AKM2000-A	1/8, 1/4	40	28	11	40	11	AC20-B, AC20A-B
AKM3000-A	1/8, 1/4	53	34	14	48	13	AC25-B AC30-B, AC30A-B
AKM4000-A	1/4, 3/8	70	42	18	54	15	AC40-B, AC40A-B*1

*1 Cannot be mounted on the AC40□-06-B.

* Refer to the attachment table above for standard by-pass port sizes applicable to the AC.

AC Series

Pressure Switch: (S)

A compact integrated pressure switch can be easily installed and facilitates the pressure detection of the line.

IS10M-30- -A

① ②

- Semi-standard: Select one each for **a** to **c**.
 - Semi-standard symbol: When more than one specification is required, indicate in alphanumeric order.
- Example) IS10M-30-6LP

	Symbol	Description	① Body size					
			20	30	40	50	60	
② Semi-standard	a	Set pressure range	Nil	0.1 to 0.4 MPa				
			6*1	0.1 to 0.6 MPa				
	b	Lead wire length	Nil	0.5 m				
			L	3 m				
			Z	5 m				
	c	Pressure unit of the scale plate	Nil	MPa				
P*2			MPa/psi dual scale					

- *1 Set pressure range of 6P (L, Z) is 0.2 to 0.6 MPa (30 to 90 psi).
 *2 This product is for overseas use only according to the new Measurement Act. (The SI unit type is provided for use in Japan.)

Specifications

Fluid	Air
Ambient and fluid temperature	-5 to 60°C (with no freezing)
Proof pressure	1.0 MPa
Maximum operating pressure	0.7 MPa
Set pressure range (when OFF)	0.1 to 0.4 MPa
Hysteresis	0.08 MPa or less

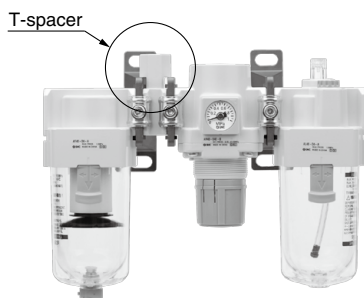
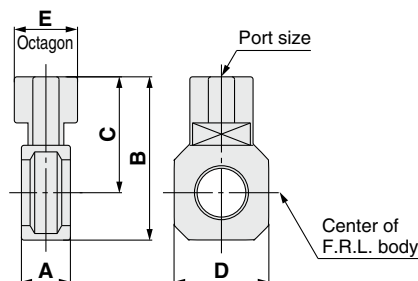
Switch Characteristics

Contact point configuration	1a
Maximum contact point capacity	2 VA (AC), 2 W (DC)
Operating voltage: AC, DC	100 V or less
Maximum operating current	12 V to 24 VAC, DC: 50 mA 48 VAC, DC: 40 mA 100 VAC, DC: 20 mA

* For detailed specifications on the IS10 series, refer to the IS10 series section of the SMC website: <https://www.smcworld.com>

T-Spacer: (T) M5 x 0.8, 1/8, 1/4, 3/8, 1/2

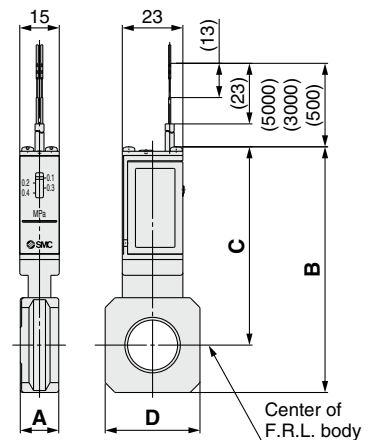
Using a T-spacer facilitates the branching of air flow.



Symbol



Pressure switch



Model	A	B	C	D	Applicable model
IS10M-20-A	10.6	74.2	64.4	28	AC20□-B
IS10M-30-A	12.6	84.5	70.5	30	AC25□-B, AC30□-B
IS10M-40-A	14.6	93.3	75.3	36	AC40□-B
IS10M-50-A	16.6	97.3	77.3	44	AC40□-06-B
IS10M-60-A	22	92.5	66.8	53	AC50□-B, AC55□-B, AC60□-B

* Separate spacers are required for modular unit.

Model *1	Port size	A	B	C	D	E	Applicable model
Y110-M5-A	M5 x 0.8	11.2	19	12	14	8	AC10-A, AC10B-A
Y210-□01-A	1/8	14.6	41.8	32	28	19	AC20-B, AC20B-B AC20C-B
Y210-□02-A	1/4						
Y310-□01-A	1/8	14.6	52.7	38.7	30	19	AC25-B, AC25B-B AC25C-B, AC30C-B
Y310-□02-A	1/4						
Y410-□02-A	1/4	18.6	62	44	36	24	AC40-B, AC40B-B AC40C-B
Y410-□03-A	3/8						
Y510-□02-A	1/4	18.6	66	46	44	24	AC40-06-B, AC40B-06-B AC40C-06-B
Y510-□03-A	3/8						
Y610-□03-A	3/8	22	81	57	53	30	AC50-B, AC55-B, AC60-B, AC50B-B, AC55B-B, AC60B-B
Y610-□04-A	1/2						

*1 □ in model numbers indicates a pipe thread type. No indication is necessary for Rc; however, indicate N for NPT, and F for G.

* Separate spacers are required for modular unit.

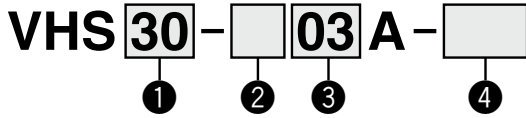
* Refer to the attachment table on page 34 for standard port sizes when using with the AC.

Caution on Mounting

If a T-spacer is used on the inlet side of the lubricator, lubricant may be mixed. Use the AKM series check valve to avoid such possibility.

Pressure Relief 3 Port Valve: (V) Refer to the [Web Catalog](#) for details on pressure relief 3 port valve

With the use of a pressure relief 3 port valve, pressure left in the line can be easily exhausted.



- Semi-standard: Select one each for a to b.
- Semi-standard symbol: When more than one specification is required, indicate in alphanumeric order.
Example) VHS30-03A-RZ

	Symbol	Description	①				
			Body size				
			20	30	40	50	
② Pipe thread type	Nil	Rc	●	●	●	●	
	N*1	NPT	●	●	●	●	
	F*1	G	●	●	●	●	
+							
③ Port size	01	1/8	●	—	—	—	
	02	1/4	●	●	—	—	
	03	3/8	—	●	—	—	
	04	1/2	—	—	●	—	
	06	3/4	—	—	—	●	
+							
④ Semi-standard	a Flow direction	Nil	Flow direction: Left to right				●
		R	Flow direction: Right to left				●
	+						
	b Pressure unit	Nil	Name plate in SI units: MPa				●
Z*1		Name plate in imperial units: psi				●	

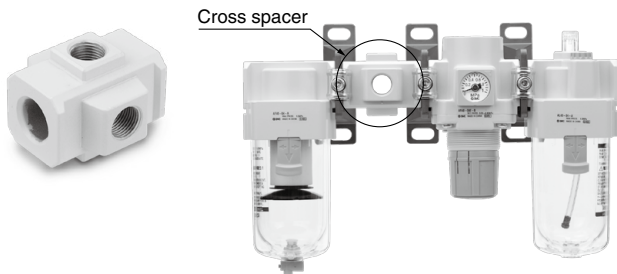
*1 For pipe thread type: NPT only. This product is for overseas use only according to the new Measurement Act. (The SI unit type is provided for use in Japan.)

Flow Rate Characteristics

Model	Port size		Flow rate characteristics					
	IN, OUT	EXH	IN → OUT			OUT → EXH		
			C(dm ³ /s·bar)	b	Cv	C(dm ³ /s·bar)	b	Cv
VHS20	1/8	1/8	2.4	0.43	0.65	2.5	0.39	0.69
	1/4		3.3	0.40	0.88	3.1	0.51	0.84
VHS30	1/4	1/4	6.4	0.45	1.7	6.2	0.38	1.7
	3/8		8.3	0.41	2.3	7.0	0.41	1.9
VHS40	1/4	3/8	7.3	0.49	2.0	8.5	0.35	2.3
	3/8		10.9	0.45	3.0	11.6	0.40	3.1
	1/2		14.2	0.39	3.8	13.3	0.43	3.6
VHS40-06	3/4	1/2	18.3	0.31	5.0	17.7	0.37	4.8
VHS50	3/4	1/2	23.8	0.41	6.4	21.8	0.41	5.9
	1		31.9	0.33	8.6	23.5	0.44	6.4

Cross Spacer: M5 x 0.8, 1/8, 1/4, 3/8, 1/2

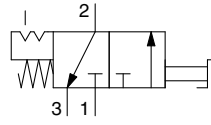
Pipings are possible in all 4 directions.
IN/OUT ports are not machined for threads.
Please contact SMC if threaded (machined) ports are required.



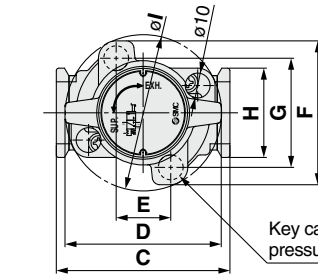
Caution on Mounting

1. When mounting a cross spacer directly on the IN side of the lubricator, be sure to use the AKM series check valve between the lubricator and cross spacer.
2. Factory mounting of a cross spacer on the AC model is available as a special order.

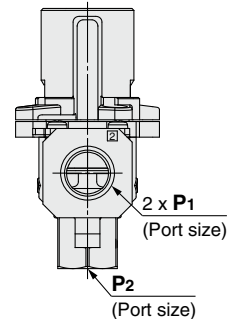
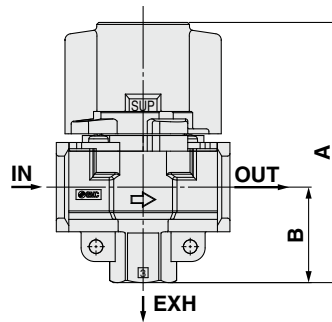
Symbol



Pressure relief 3 port valve

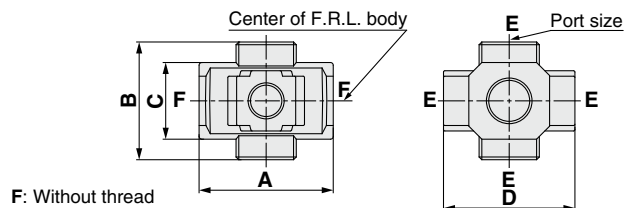


Key can be mounted when residual pressure is released.



Model	Standard specifications										
	P1	P2	A	B	C	D	E	F	G	H	I
VHS20	1/8, 1/4	1/8	66.4	22.3	40	37.5	14	46.6	33.6	28	43
VHS30	1/4, 3/8	1/4	80.3	29.4	53	49	19	52	38	30	49
VHS40	1/4, 3/8, 1/2	3/8	104.9	38.5	70	63	22	58	44	36	63
VHS40-06	3/4	1/2	110.4	42	75	63	22	58	44	44	63
VHS50	3/4, 1	1/2	134.3	53	90	76	26	76	61	53	81

* Use an air filter on the inlet side for operating protection.



Model *1	E (Port size)	A	B	C	D	Applicable model
Y14-M5-A	M5	23	16	14	25	AC10□-A
Y24-□01-A	1/8	40	40	22	40	AC20□-B
Y24-□02-A	1/4					
Y34-□01-A	1/8	49	43	28	48	AC25□-B, AC30□-B
Y34-□02-A	1/4					
Y44-□02-A	1/4	60	48	36	54	AC40□-B
Y44-□03-A	3/8					
Y54-□03-A	3/8	72	62	40	62	AC40□-06-B
Y54-□04-A	1/2					

*1 □ in model numbers indicates a pipe thread type. No indication is necessary for Rc; however, indicate N for NPT, and F for G.

* If threaded IN/OUT ports are required, they are available as a special order. Please contact SMC.

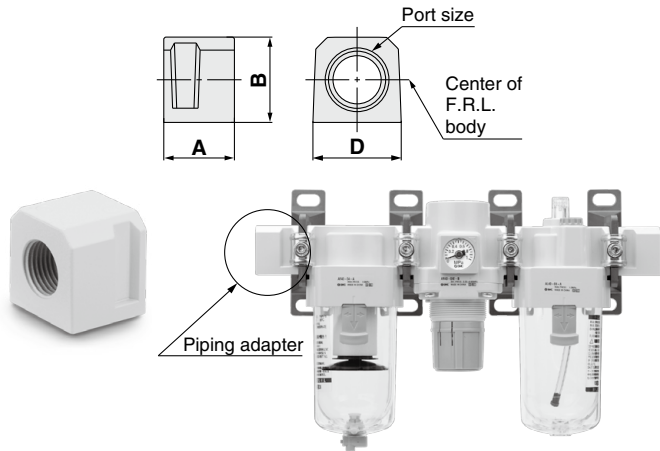
* Two hexagon socket head plugs are included in the package.

AC
 AF+AR+AL
 AW+AL
 AW+AL
 AF+AR
 AF+AFM+AR
 AW+AFM
 Attachment
 AF
 AFM/AFD
 AR
 AL
 AW

AC Series

Piping Adapter: M5 x 0.8, 1/8, 1/4, 3/8, 1/2, 3/4, 1

A piping adapter allows installation/removal of the component without removing the piping and thus makes maintenance easier.



Model *1	Port size	A	B	D	Applicable model
E100-M5-A	M5 x 0.8	10	14	14	AC10□-A
E200-□01-A	1/8	29.8	23.5	28	AC20□-B
E200-□02-A	1/4				
E200-□03-A	3/8				
E300-□02-A	1/4	31.8	30	30	AC25□-B, AC30□-B
E300-□03-A	3/8				
E300-□04-A	1/2	31.8	36	36	AC40□-B
E400-□02-A	1/4				
E400-□03-A	3/8				
E400-□04-A	1/2				
E400-□06-A	3/4	31.8	40	44	AC40□-06-B
E500-□06-A	3/4				
E600-□06-A	3/4	35	48	53	AC50-B, AC55-B, AC60-B, AC50A-B, AC60A-B, AC50B-B, AC55B-B, AC60B-B
E600-□10-A	1				

*1 □ in model numbers indicates a pipe thread type. No indication is necessary for Rc; however, indicate N for NPT, and F for G.

* Separate spacers are required for modular unit.

* Factory mounting of a piping adapter on the AC models is available as a special order.

Pressure Switch with Piping Adapter

IS10E - **30** - **03** - **□** - **A**

① ② ③ ④

- Semi-standard: Select one each for a to d.
- Semi-standard symbol: When more than one specification is required, indicate in alphanumeric order. Example) IS10E-30N03-6PRZ

	Symbol	Description	①		
			20	30	40
② Pipe thread type	Nil	Rc	●	●	●
	N*2	NPT	●	●	●
	F*2	G	●	●	●
③ Port size	+				
	01	1/8	●	—	—
	02	1/4	●	●	●
	03	3/8	●	●	●
	04	1/2	—	●	●
	06	3/4	—	—	●
④ Semi-standard	a	Set pressure range			
	Nil	0.1 to 0.4 MPa	●	●	●
	6*1	0.1 to 0.6 MPa	●	●	●
	+				
	b	Lead wire length			
	Nil	0.5 m	●	●	●
	L	3 m	●	●	●
	Z	5 m	●	●	●
	+				
	c	Pressure unit of the scale plate			
	Nil	MPa	●	●	●
	P*2	MPa/psi dual scale	●	●	●
+					
d	Mounting position				
Nil	Right	●	●	●	
R	Left	●	●	●	

*1 Set pressure range of 6P (L, R, Z) is 0.2 to 0.6 MPa (30 to 90 psi).

*2 For pipe thread type: NPT only. This product is for overseas use only according to the new Measurement Act. (The SI unit type is provided for use in Japan.)

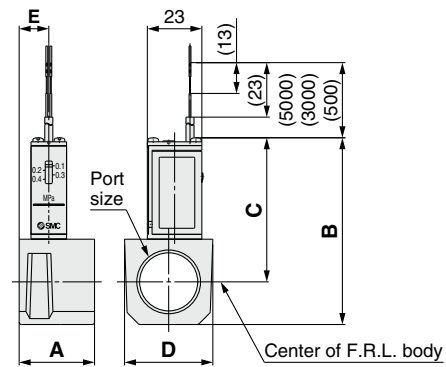
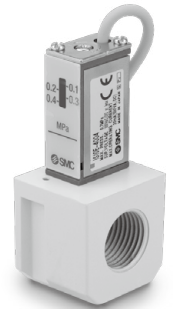
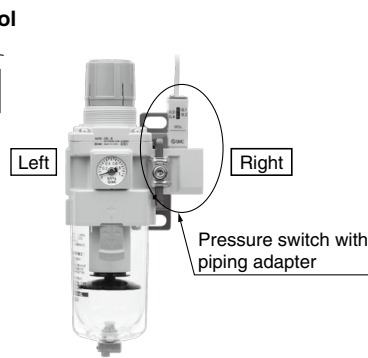
Specifications

Fluid	Air
Ambient and fluid temperature	-5 to 60°C (with no freezing)
Proof pressure	1.0 MPa
Maximum operating pressure	0.7 MPa
Set pressure range (when OFF)	0.1 to 0.4 MPa
Hysteresis	0.08 MPa or less

Switch Characteristics

Contact point configuration	1a
Maximum contact point capacity	2 VA (AC), 2 W (DC)
Operating voltage: AC, DC	100 V or less
Maximum operating current	12 V to 24 V AC, DC: 50 mA 48 V AC, DC: 40 mA 100 V AC, DC: 20 mA

Symbol



Model *1	Port size	A	B	C	D	E	Applicable model
IS10E-20□01-A	1/8	29.8	66.3	55.3	28	16	AC20□-B
IS10E-20□02-A	1/4						
IS10E-20□03-A	3/8						
IS10E-30□02-A	1/4	31.8	72.8	58.8	30	13	AC25□-B, AC30□-B
IS10E-30□03-A	3/8						
IS10E-30□04-A	1/2	31.8	78.8	60.8	37	12.5	*2 AC40□-B
IS10E-40□02-A	1/4						
IS10E-40□03-A	3/8						
IS10E-40□04-A	1/2						
IS10E-40□06-A	3/4						

*1 □ in the model numbers indicates a pipe thread type. No indication is necessary for Rc; however, indicate N for NPT, and F for G.

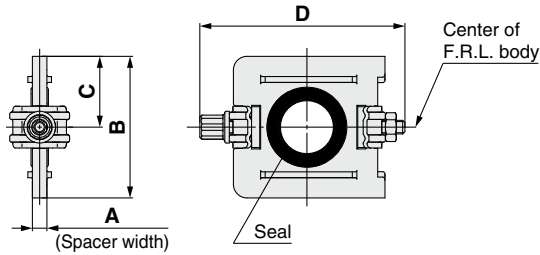
*2 Cannot be mounted on the AC40□-06-B.

* Separate spacers are required for modular unit.

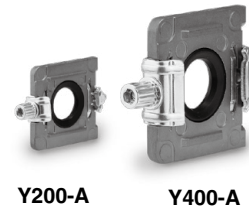
* The pressure switch can be mounted on the AC40□-06-B and above by screwing the IS10-01S into the piping adapter E500-□06-A-X501 or E600-□06 to 10-A-X501 (Rc1/8 threaded on top surface). Products with a premounted switch are available as a special order. Please contact SMC beforehand.

AC Series Accessories (Spacers/Brackets)

Spacer



Model	A	B	C	D	Applicable model
Y100-A	6	17.9	9	35.4	AC10□-A
Y200-A	3.2	31.2	15.6	44.9	AC20□-B
Y300-A	4.2	43.4	21.7	57.9	AC25□-B, AC30□-B
Y400-A	5.2	53	26.5	68.5	AC40□-B
Y500-A	5.2	57	28.5	75.6	AC40□-06-B
Y600-A	6.2	67.6	33.8	92.5	AC50□-B, AC55□-B, AC60□-B



Y200-A

Y400-A

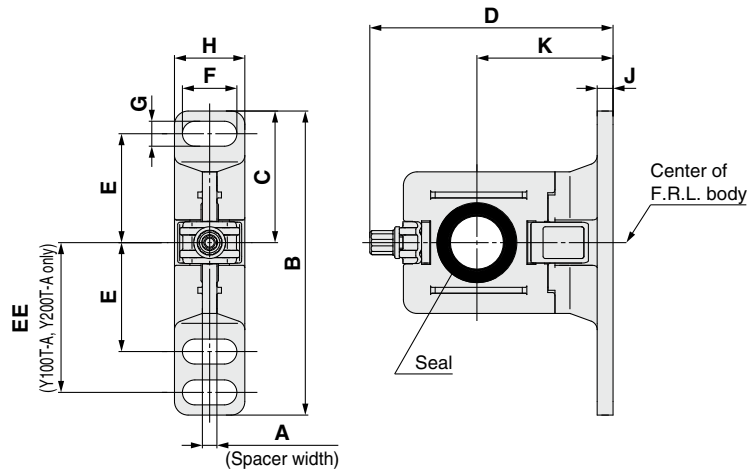
Replacement Parts

Description	Material	Part no.					
		Y100-A	Y200-A	Y300-A	Y400-A	Y500-A	Y600-A
Seal	HNBR (NBR) *1	Y120P-050AS *2	Y220P-050S	Y320P-050S	Y420P-050S	Y520P-050S	Y620P-050S

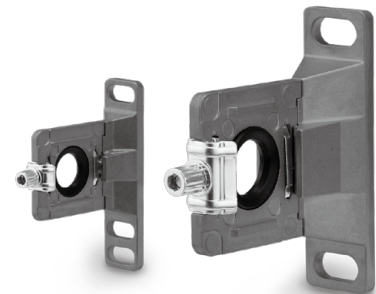
*1 (): Size 10

*2 Assembly of 2 O-rings

Spacer with Bracket



Model	A	B	C	D	E	EE	F	G	H	J	K	Applicable model
Y100T-A	6	56	24.5	43.6	20	27	6.8	4.5	13	3	25	AC10□-A
Y200T-A	3.2	67	29	53.4	24	33	12	5.5	15.5	3.5	30	AC20□-B
Y300T-A	4.2	82	41	71.5	35	—	14	7	19	4	41	AC25□-B, AC30□-B
Y400T-A	5.2	96	48	86.1	40	—	18	9	26	5	50	AC40□-B
Y500T-A	5.2	96	48	89.6	40	—	18	9	26	5	50	AC40□-06-B
Y600T-A	6.2	120	60	118	50	—	20	11	31.2	6	70	AC50□-B, AC55□-B, AC60□-B



Y200T-A

Y400T-A

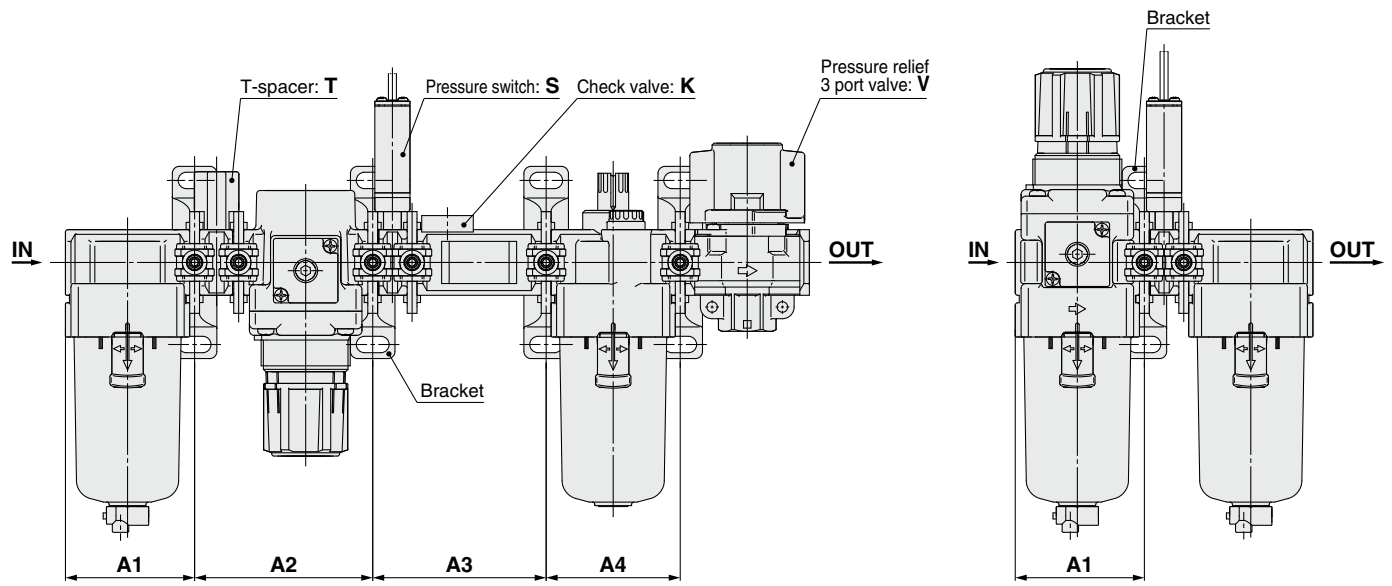
Replacement Parts

Description	Material	Part no.					
		Y100T-A	Y200T-A	Y300T-A	Y400T-A	Y500T-A	Y600T-A
Seal	HNBR (NBR) *1	Y120P-050AS *2	Y220P-050S	Y320P-050S	Y420P-050S	Y520P-050S	Y620P-050S

*1 (): Size 10

*2 Assembly of 2 O-rings

Mounting Position for Spacer with Bracket



Attachment Model	K			S		T		V			KS			KT			KV				KST		
	A1	A2	A3	A1	A2	A1	A2	A1	A2	A3	A1	A2	A3	A1	A2	A3	A1	A2	A3	A4	A1	A2	A3
AC10-A	—	—	—	—	—	28	48.2	—	—	—	—	—	—	—	—	—	—	—	—	—	—	—	—
AC20-B	41.6	43.2	43.2	41.6	43.2	41.6	61	41.6	43.2	43.2	41.6	43.2	57	41.6	61	43.2	41.6	43.2	43.2	43.2	41.6	61	57
AC25-B	55.1	57.2	57.2	55.1	57.2	55.1	76	55.1	57.2	57.2	55.1	57.2	74	55.1	76	57.2	55.1	57.2	57.2	57.2	55.1	76	74
AC30-B	55.1	57.2	57.2	55.1	57.2	55.1	76	55.1	57.2	57.2	55.1	57.2	74	55.1	76	57.2	55.1	57.2	57.2	57.2	55.1	76	74
AC40-B	72.6	75.2	75.2	72.6	75.2	72.6	99	72.6	75.2	75.2	72.6	75.2	95	72.6	99	75.2	72.6	75.2	75.2	75.2	72.6	99	95
AC40-06-B	—	—	—	77.6	80.2	77.6	104	77.6	80.2	80.2	—	—	—	—	—	—	—	—	—	—	—	—	—
AC50-B	—	—	—	93.1	96.2	93.1	124	—	—	—	—	—	—	—	—	—	—	—	—	—	—	—	—
AC55-B	—	—	—	98.1	96.2	98.1	124	—	—	—	—	—	—	—	—	—	—	—	—	—	—	—	—
AC60-B	—	—	—	98.1	101.2	98.1	129	—	—	—	—	—	—	—	—	—	—	—	—	—	—	—	—

Attachment Model	KSV				KTV				KSTV				ST		SV			STV			TV		
	A1	A2	A3	A4	A1	A2	A3	A4	A1	A2	A3	A4	A1	A2	A1	A2	A3	A1	A2	A3	A1	A2	A3
AC10-A	—	—	—	—	—	—	—	—	—	—	—	—	—	—	—	—	—	—	—	—	—	—	—
AC20-B	41.6	43.2	57	43.2	41.6	61	43.2	43.2	41.6	61	57	43.2	41.6	61	41.6	43.2	57	41.6	61	57	41.6	61	57
AC25-B	55.1	57.2	74	57.2	55.1	76	57.2	57.2	55.1	76	74	57.2	55.1	76	55.1	57.2	74	55.1	76	74	55.1	76	74
AC30-B	55.1	57.2	74	57.2	55.1	76	57.2	57.2	55.1	76	74	57.2	55.1	76	55.1	57.2	74	55.1	76	74	55.1	76	74
AC40-B	72.6	75.2	95	75.2	72.6	99	75.2	75.2	72.6	99	95	75.2	72.6	99	72.6	75.2	95	72.6	99	95	72.6	99	95
AC40-06-B	—	—	—	—	—	—	—	—	—	—	—	—	77.6	104	77.6	80.2	102	77.6	104	102	77.6	104	80.2
AC50-B	—	—	—	—	—	—	—	—	—	—	—	—	93.1	124	93.1	189.3	124	93.1	124	124	93.1	124	96.2
AC55-B	—	—	—	—	—	—	—	—	—	—	—	—	98.1	124	—	—	—	—	—	—	—	—	—
AC60-B	—	—	—	—	—	—	—	—	—	—	—	—	98.1	129	—	—	—	—	—	—	—	—	—

Attachment Model	K		S		V		KS		KV			KSV		SV	
	A1	A2	A1	A2	A1	A2	A1	A2	A1	A2	A3	A1	A2	A1	A2
AC20A-B	41.6	43.2	41.6	41.6	41.6	43.2	41.6	57	41.6	43.2	43.2	41.6	57	41.6	57
AC30A-B	55.1	57.2	55.1	55.1	55.1	57.2	55.1	74	55.1	57.2	57.2	55.1	74	57.2	55.1
AC40A-B	72.6	75.2	72.6	72.6	75.2	72.6	95	72.6	75.2	72.6	95	75.2	72.6	95	95
AC40A-06-B	—	—	77.6	77.6	80.2	—	—	—	—	—	—	—	—	77.6	102
AC50A-B	—	—	93.1	93.1	96.2	—	—	—	—	—	—	—	—	93.1	124
AC60A-B	—	—	98.1	—	—	—	—	—	—	—	—	—	—	—	—

Attachment Model	S		T		V		V1		SV		SV1		TV		TV1	
	A1	A1	A1	A2	A1	A2	A1	A2	A1	A2	A1	A2	A1	A2	A1	A2
AC10B-A	—	28	—	—	—	—	—	—	—	—	—	—	—	—	—	—
AC20B-B	41.6	41.6	41.6	43.2	41.6	43.2	41.6	57	41.6	43.2	41.6	61	41.6	43.2	41.6	43.2
AC25B-B	55.1	55.1	55.1	57.2	55.1	57.2	55.1	74	55.1	57.2	55.1	76	55.1	57.2	55.1	57.2
AC30B-B	55.1	55.1	55.1	57.2	55.1	57.2	55.1	74	55.1	57.2	55.1	76	55.1	57.2	55.1	57.2
AC40B-B	72.6	72.6	72.6	75.2	72.6	75.2	95	72.6	75.2	72.6	99	72.6	75.2	72.6	75.2	75.2
AC40B-06-B	77.6	77.6	77.6	80.2	77.6	80.2	77.6	102	77.6	80.2	77.6	104	77.6	80.2	77.6	80.2
AC50B-B	93.1	93.1	93.1	189.3	93.1	96.2	93.1	124	93.1	96.2	93.1	124	93.1	96.2	93.1	96.2
AC55B-B	98.1	98.1	—	—	—	—	—	—	—	—	—	—	—	—	—	—
AC60B-B	98.1	98.1	—	—	—	—	—	—	—	—	—	—	—	—	—	—

Attachment Model	S		T		V			V1			SV			SV1			TV			TV1		
	A1	A2	A1	A2	A1	A2	A3	A1	A2	A3	A1	A2	A3	A1	A2	A3	A1	A2	A3	A1	A2	A3
AC20C-B	41.6	43.2	41.6	43.2	41.6	43.2	43.2	41.6	43.2	43.2	41.6	43.2	57	41.6	43.2	43.2	41.6	43.2	61	41.6	43.2	43.2
AC25C-B	55.1	57.2	55.1	57.2	55.1	57.2	57.2	55.1	57.2	57.2	55.1	57.2	74	55.1	57.2	57.2	55.1	57.2	76	55.1	57.2	57.2
AC30C-B	55.1	57.2	55.1	57.2	55.1	57.2	57.2	55.1	57.2	57.2	55.1	57.2	74	55.1	57.2	57.2	55.1	57.2	76	55.1	57.2	57.2
AC40C-B	72.6	75.2	72.6	75.2	72.6	75.2	75.2	72.6	75.2	75.2	72.6	75.2	95	72.6	75.2	75.2	72.6	75.2	99	72.6	75.2	75.2
AC40C-06-B	77.6	80.2	77.6	80.2	77.6	80.2	80.2	77.6	80.2	80.2	77.6	80.2	102	77.6	80.2	80.2	77.6	80.2	104	77.6	80.2	80.2

Attachment Model	S		V		V1		SV		SV1	
	A1	A1	A1	A2	A1	A2	A1	A2	A1	A2
AC20D-B	41.6	41.6	43.2	41.6	43.2	41.6	57	41.6	43.2	43.2
AC30D-B	55.1	55.1	57.2	55.1	57.2	55.1	74	55.1	57.2	57.2
AC40D-B	72.6	72.6	75.2	72.6	75.2	72.6	95	72.6	75.2	75.2
AC40D-06-B	77.6	77.6	80.2	77.6	80.2	77.6	102	77.6	80.2	80.2

A1: Dimension from the end of the IN side to the center of the mounting hole for the first bracket.

A2: Mounting hole pitch between the first and the second brackets.

A3: Mounting hole pitch between the second and the third brackets.




A4: Mounting hole pitch between the third and the fourth brackets.

AC
AF+AR+AL
AW+AL
AF+AR
AF+AFM+AR
AW+AFM
Attachment
AF
AFM / AFD
AR
AL
AW

Modular Type

Air Filters

AF/AFM/AFD Series

Air Filter AF Series	Model	Port size	Filtration µm	Options
 <p data-bbox="134 869 341 902">Pages 43 to 54</p>	AF10-A	M5 x 0.8	5	Bracket (Except AF10-A) Float type auto drain
	AF20-A	1/8, 1/4		
	AF30-A	1/4, 3/8		
	AF40-A	1/4, 3/8, 1/2		
	AF40-06-A	3/4		
	AF50-A	3/4, 1		
	AF60-A	1		
 <p data-bbox="134 1196 341 1229">Pages 55 to 63</p>	AFM20-A	1/8, 1/4	0.3	Bracket Float type auto drain
	AFM30-A	1/4, 3/8		
	AFM40-A	1/4, 3/8, 1/2		
	AFM40-06-A	3/4		
 <p data-bbox="134 1523 341 1556">Pages 55 to 63</p>	AFD20-A	1/8, 1/4	0.01	Bracket Float type auto drain
	AFD30-A	1/4, 3/8		
	AFD40-A	1/4, 3/8, 1/2		
	AFD40-06-A	3/4		

Made to Order

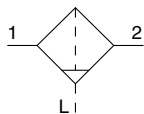
①	Long Bowl (-X64) Drain capacity is greater than that of standard models.	AF: P.51 to 54 AFM/AFD: P.61, 63
②	With Element Service Indicator (-X2141) Clogging status of elements can be checked visually.	
③	Special Temperature Environment (-X430/-X440) Special materials are used in the manufacturing of seals and resin parts to allow them to withstand various temperature conditions in cold or tropical (hot) climates.	
④	High Pressure (-X425) Strong materials are used in the manufacturing of air filters intended for high pressure operation.	
⑤	Clean Series (10-)	
⑥	Copper, Fluorine and Silicone-free + Low Particle Generation (21-)	

AC
 AF+AR+AL
 AW+AL
 AF+AR
 AF+AFM+AR
 AW+AFM
 Attachment
 AF
 AFM / AFD
 AR
 AL
 AW

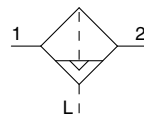
Air Filter

AF10-A to AF60-A

Symbol
Air Filter



Air Filter with Auto Drain



AF10-A

AF20-A

AF40-A

The AF20 to 60-A is to be discontinued as of March 2025. Select the AF20 to 60-D as a substitute. [Click here for details.](#) The AF10-A will continue to be produced, so it can be selected and used as before.

How to Order

AF **30** - **03** **BD** - **A** - **1**

① ② ③ ④ ⑤

Made to order ●

(Refer to pages 51 to 54 for details.)

• Option/Semi-standard: Select one each for a to f.
• Option/Semi-standard symbol: When more than one specification is required, indicate in alphanumeric order.
Example) AF30-03BD-R-A

	Symbol	Description	① Body size							
			10	20	30	40	50	60		
② Pipe thread type	Nil	Metric thread (M5)	●	—	—	—	—	—		
	N*1	Rc	—	●	●	●	●	●		
	F*2	NPT	—	●	●	●	●	●		
		G	—	●	●	●	●	●		
③ Port size	M5	M5 x 0.8	●	—	—	—	—	—		
	01	1/8	—	●	—	—	—	—		
	02	1/4	—	●	●	—	—	—		
	03	3/8	—	—	●	●	—	—		
	04	1/2	—	—	—	●	—	—		
	06	3/4	—	—	—	●	●	—		
	10	1	—	—	—	—	●	●		
④ Option	a Mounting	Nil	Without mounting option		●	●	●	●	●	●
		B*3	With bracket		—	●	●	●	●	●
	b Float type auto drain	Nil	Without auto drain		●	●	●	●	●	●
		C*4	N.C. (Normally closed) Drain port is closed when pressure is not applied.		●	●	●	●	●	●
		D*5	N.O. (Normally open) Drain port is open when pressure is not applied.		—	—	●	●	●	●
					—	—	—	—	—	—
⑤ Semi-standard	c Bowl*6	Nil	Polycarbonate bowl		●	●	●	●	●	●
		2	Metal bowl		●	●	●	●	●	●
		6	Nylon bowl		●	●	●	●	●	●
		8	Metal bowl with level gauge		—	—	—	—	—	—
		C	With bowl guard		—	●	—*7	—*7	—*7	—*7
		6C	With bowl guard (Nylon bowl)		—	●	—*8	—*8	—*8	—*8
	d Drain port*9	Nil	With drain cock		●	●	●	●	●	●
		J*10	Drain guide 1/8		—	●	—	—	—	—
			Drain guide 1/4		—	—	●	●	●	●
		W*11	Drain cock with barb fitting		—	—	●	●	●	●
	e Flow direction	Nil	Flow direction: Left to right		●	●	●	●	●	●
		R	Flow direction: Right to left		●	●	●	●	●	●
f Pressure unit	Nil	Name plate and caution plate for bowl in SI units: MPa		●	●	●	●	●	●	
	Z*12	Name plate and caution plate for bowl in imperial units: psi, °F		○*13	○*13	○*13	○*13	○*13	○*13	

*1 Drain guide is NPT1/8 (applicable to the AF20-A) and NPT1/4 (applicable to the AF30-A to AF60-A).
The auto drain port comes with ø3/8" One-touch fitting (applicable to the AF30-A to AF60-A).
*2 Drain guide is G1/8 (applicable to the AF20-A) and G1/4 (applicable to the AF30-A to AF60-A).
The auto drain port comes with ø10 One-touch fitting (applicable to the AF30-A to AF60-A).
*3 Option B is not assembled and supplied loose at the time of shipment. Assembly of a bracket and 2 mounting screws.
*4 When pressure is not applied, condensate which does not start the auto drain mechanism will be left in the bowl.
Releasing the residual condensate before ending operations for the day is recommended.
*5 If the compressor is small (0.75 kW, discharge flow is less than 100 L/min [ANR]), air leakage from the drain cock may occur during start of operations. N.C. type is recommended.
*6 Refer to chemical data on page 46 for chemical resistance of the bowl.
*7 A bowl guard is provided as standard equipment (polycarbonate).
*8 A bowl guard is provided as standard equipment (nylon).
*9 The combination of float type auto drain: C and D is not available.
*10 Without a valve function
*11 The combination of metal bowl: 2 and 8 is not available.
*12 For pipe thread type: M5, NPT. This product is for overseas use only according to the new Measurement Act. (The SI unit type is provided for use in Japan.)
*13 ○: For pipe thread type: M5, NPT only

Air Filter **AF10-A to AF60-A Series**

Standard Specifications

Model	AF10-A	AF20-A	AF30-A	AF40-A	AF40-06-A	AF50-A	AF60-A
Port size	M5 x 0.8	1/8, 1/4	1/4, 3/8	1/4, 3/8, 1/2	3/4	3/4, 1	1
Fluid	Air						
Ambient and fluid temperature	-5 to 60°C (with no freezing)						
Proof pressure	1.5 MPa						
Maximum operating pressure	1.0 MPa						
Nominal filtration rating	5 μm						
Drain capacity [cm ³]	2.5	8	25	45			
Bowl material	Polycarbonate						
Bowl guard	—	Semi-standard (Steel)	Standard (Polycarbonate)				
Weight [kg]	0.06	0.08	0.18	0.36	0.41	0.87	1.00

Option/Part No.

Optional specifications	Model						
	AF10-A	AF20-A	AF30-A	AF40-A	AF40-06-A	AF50-A	AF60-A
Bracket assembly *1	—	AF22P-050AS	AF32P-050AS	AF42P-050AS	AF42P-070AS	AF52P-050AS	

*1 Assembly of a bracket and 2 mounting screws

Bowl Assembly/Part No.

Bowl material	Drain discharge mechanism	Drain port	Other	Model							
				AF10-A	AF20-A	AF30-A	AF40-A	AF40-06-A	AF50-A	AF60-A	
Polycarbonate	Manual	With drain cock	—	C1SF-A	C2SF-A	—	—				
		With bowl guard	—	—	C2SF-C-A	C3SF-A	C4SF-A				
		Drain cock with barb fitting	With bowl guard	—	—	C3SF-W-A	C4SF-W-A				
		With drain guide (without valve function)	With bowl guard	—	—	C2SF□-J-A	—	—			
	Automatic *1 (Auto drain)	Normally closed (N.C.)	—	—	AD17-A	AD27-A	—	—			
		With bowl guard	—	—	AD27-C-A	AD37□-A	AD47□-A				
Nylon	Manual	With drain cock	—	C1SF-6-A	C2SF-6-A	—	—				
		With bowl guard	—	—	C2SF-6C-A	C3SF-6-A	C4SF-6-A				
		Drain cock with barb fitting	With bowl guard	—	—	C3SF-6W-A	C4SF-6W-A				
		With drain guide (without valve function)	With bowl guard	—	—	C2SF□-6J-A	—	—			
	Automatic *1 (Auto drain)	Normally closed (N.C.)	—	—	AD17-6-A	AD27-6-A	—	—			
		With bowl guard	—	—	AD27-6C-A	AD37□-6-A	AD47□-6-A				
Metal	Manual	With drain cock	—	C1SF-2-A	C2SF-2-A	C3SF-2-A	C4SF-2-A				
		With level gauge	—	—	—	C3LF-8-A	C4LF-8-A				
		With drain guide (without valve function)	With level gauge	—	—	C2SF□-2J-A	C3SF□-2J-A	C4SF□-2J-A			
		With level gauge	—	—	—	C3LF□-8J-A	C4LF□-8J-A				
	Automatic *1 (Auto drain)	Normally closed (N.C.)	—	—	AD17-2-A	AD27-2-A	AD37□-2-A	AD47□-2-A			
		With level gauge	—	—	—	—	AD37□-8-A	AD47□-8-A			
Automatic *1 (Auto drain)	Normally open (N.O.)	—	—	—	—	AD38□-2-A	AD48□-2-A				
	With level gauge	—	—	—	—	AD38□-8-A	AD48□-8-A				

*1 Minimum operating pressure: N.O. type—0.1 MPa (AD38-A, AD48-A); N.C. type—0.1 MPa (AD17-A, AD27-A) and 0.15 MPa (AD37-A, AD47-A).

Bowl assembly for the AF20-A to AF60-A models comes with a bowl seal.

□ in bowl assembly part numbers indicates a pipe thread type (applicable tubing for auto drain).

No indication is necessary for Rc thread; however, indicate N for NPT thread, and F for G thread. (For auto drain, Nil: ø10, N: ø3/8")

Please consult with SMC separately for psi and °F unit display specifications.

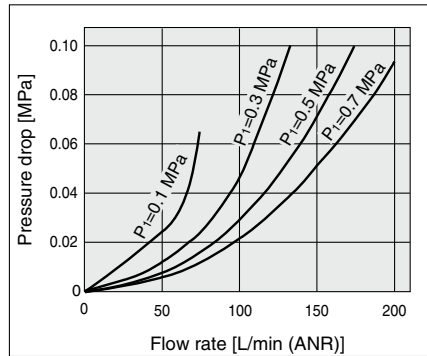
AC
 AF+AR+AL
 AW+AL
 AF+AR
 AF+AFM+AR
 AW+AFM
 Attachment
 AF
 AFM / AFD
 AR
 AL
 AW

AF10-A to AF60-A Series

Flow Rate Characteristics (Representative values)

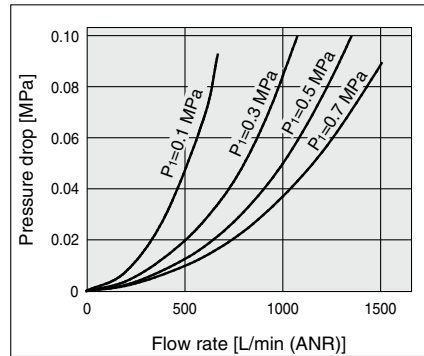
AF10-A

M5



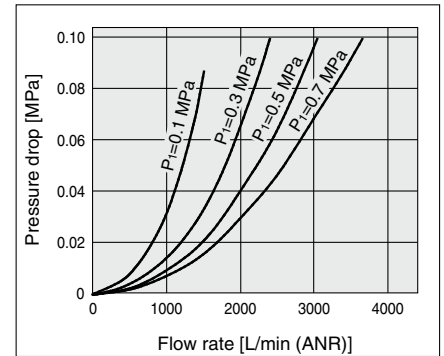
AF20-A

Rc1/4



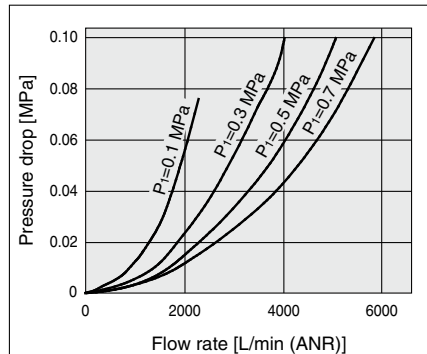
AF30-A

Rc3/8



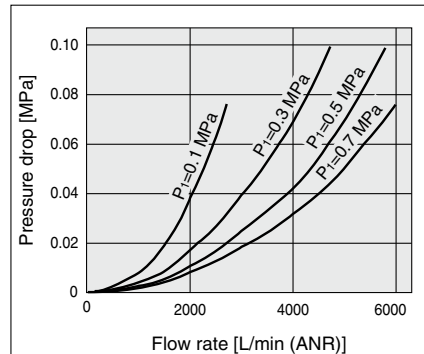
AF40-A

Rc1/2



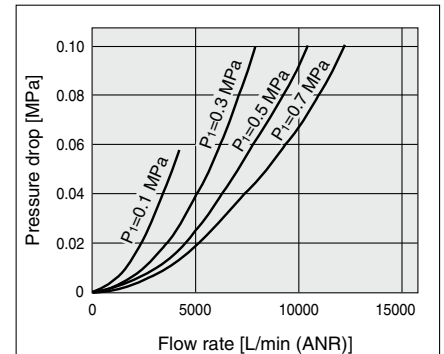
AF40-06-A

Rc3/4



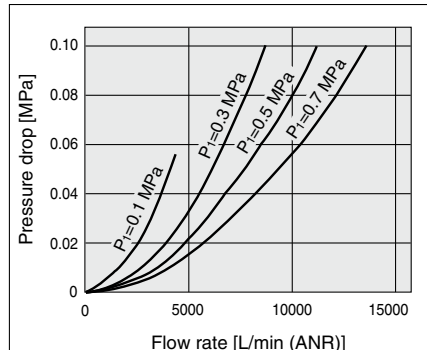
AF50-A

Rc1



AF60-A

Rc1



⚠ Specific Product Precautions

Be sure to read this before handling the products. Refer to the back cover for safety instructions. For F.R.L. units precautions, refer to the “Handling Precautions for SMC Products” and the “Operation Manual”, <https://www.smcworld.com>

Design/Selection

⚠ Warning

- The standard bowl for the air filter, filter regulator, and lubricator, as well as the sight dome for the lubricator are made of polycarbonate. Do not use in an environment where they are exposed to or come in contact with organic solvents, chemicals, cutting oil, synthetic oil, alkali, and thread lock solutions.

Effects of atmosphere of organic solvents and chemicals, and where these elements are likely to adhere to the equipment.

Chemical data for substances causing degradation (Reference)

Type	Chemical name	Application examples	Material	
			Polycarbonate	Nylon
Acid	Hydrochloric acid Sulfuric acid, Phosphoric acid Chromic acid	Acid washing liquid for metals	△	×
Alkaline	Sodium hydroxide (Caustic soda) Potash Calcium hydroxide (Slack lime) Ammonia water Carbonate of soda	Degreasing of metals Industrial salts Water-soluble cutting oil	×	○
Inorganic salts	Sodium sulfide Potassium nitrate Sulfate of soda	—	×	△
Chlorine solvents	Carbon tetrachloride Chloroform Ethylene chloride Methylene chloride	Cleansing liquid for metals Printing ink Dilution	×	△
Aromatic series	Benzene Toluene Paint thinner	Coatings Dry cleaning	×	△
Ketone	Acetone Methyl ethyl ketone Cyclohexane	Photographic film Dry cleaning Textile industries	×	×
Alcohol	Ethyl alcohol IPA Methyl alcohol	Antifreeze Adhesives	△	×
Oil	Gasoline Kerosene	—	×	○
Ester	Phthalic acid dimethyl Phthalic acid diethyl Acetic acid	Synthetic oil Anti-rust additives	×	○
Ether	Methyl ether Ethyl ether	Brake oil additives	×	○
Amino	Methyl amino	Cutting oil Brake oil additives Rubber accelerator	×	×
Others	Thread-lock fluid Seawater Leak tester	—	×	△

○: Essentially safe △: Some effects may occur. ×: Effects will occur.

When the above factors are present, or there is some doubt, use a metal bowl for safety.

Maintenance

⚠ Warning

- Replace the element every 2 years or when the pressure drop becomes 0.1 MPa, whichever comes first, to prevent damage to the element.

Mounting/Adjustment

⚠ Caution

- When the bowl is installed on the air filter (AF30-A to AF60-A), install them so that the lock button lines up to the groove of the front (or the back) of the body to avoid drop or damage of the bowl.



AC

AF+AR+AL

AW+AL

AF+AR

AF+AFM+AR

AW+AFM

Attachment

AF

AFM / AFD

AR

AL

AW

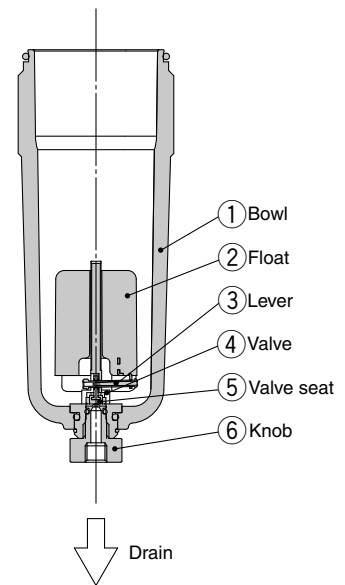
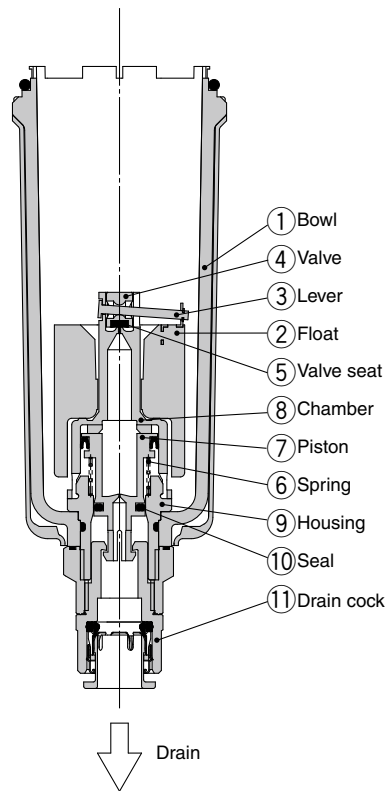
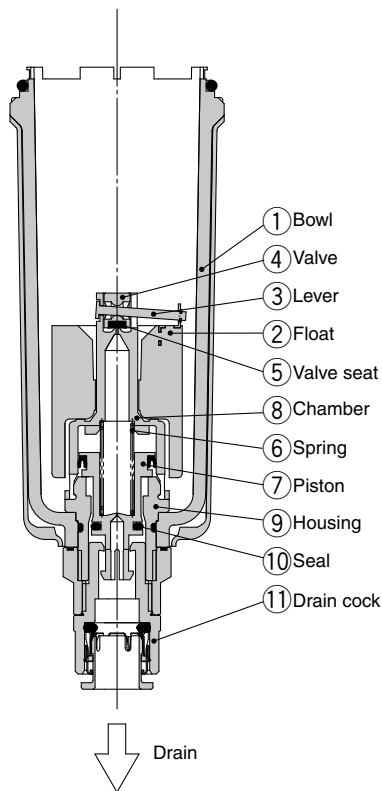
AF10-A to AF60-A Series

Working Principle: Float Type Auto Drain

N.O. type: AD38-A, AD48-A

N.C. type: AD37-A, AD47-A

Compact auto drain N.C. type:
AD17-A, AD27-A



• When pressure inside the bowl is released:

When pressure is released from the bowl ①, the piston ⑦ is lowered by the spring ⑥. The sealing action of the seal ⑩ is interrupted, and the outside air flows inside the bowl ① through the housing hole ⑨ and the drain cock ⑪.

Therefore, if there is an accumulation of condensate in the bowl ①, it will drain out through the drain cock.

• When pressure is applied inside the bowl:

When pressure is 0.1 MPa or more, the force of the piston ⑦ surpasses the force of the spring ⑥, and the piston goes up. This pushes seal ⑩ up so that it creates a seal, and the inside of the bowl ①, is shut off from the outside air.

If there is no accumulation of condensate in the bowl ① at this time, the float ② will be pulled down by its own weight, causing the valve ④, which is connected to the lever ③, to seal the valve seat ⑤.

• When there is an accumulation of condensate in the bowl:

The float ② rises due to its own buoyancy and the seal at the valve seat ⑤ is interrupted. This allows the pressure inside the bowl ① to enter the chamber ⑧. The result is that the combined pressure inside the chamber ⑧ and the force of the spring ⑥ lowers the piston ⑦. This causes the sealing action of the seal ⑩ to be interrupted, and the accumulated condensate in the bowl ① drains out through the drain cock ⑪.

Turning the drain cock ⑪ manually counterclockwise lowers the piston ⑦, and causes the seal created by the seal ⑩ to be interrupted, thus allowing the condensate to drain out.

• When pressure inside the bowl is released:

Even when pressure inside the bowl ① is released, spring ⑥ keeps the piston ⑦ in its upward position.

This keeps the seal created by the seal ⑩ in place; thus, the inside of the bowl ① is shut off from the outside air.

Therefore, even if there is an accumulation of condensate in the bowl ①, it will not drain out.

• When pressure is applied inside the bowl:

Even when pressure is applied inside the bowl ①, the combined force of the spring ⑥ and the pressure inside the bowl ① keeps the piston ⑦ in its upward position.

This maintains the seal created by the seal ⑩ in place; thus, the inside of the bowl ① is shut off from the outside air.

If there is no accumulation of condensate in the bowl ① at this time, the float ② will be pulled down by its own weight, causing the valve ④, which is connected to the lever ③, to seal the valve seat ⑤.

• When there is an accumulation of condensate in the bowl:

The float ② rises due to its own buoyancy and the seal at the valve seat ⑤ is interrupted. This allows the pressure inside the bowl ① to enter the chamber ⑧.

The result is that the pressure inside the chamber ⑧ surpasses the force of the spring ⑥ and pushes the piston ⑦ downward.

This causes the sealing action of the seal ⑩ to be interrupted and the accumulated condensate in the bowl ① drains out through the drain cock ⑪.

Turning the drain cock ⑪ manually counterclockwise lowers the piston ⑦, and causes the seal created by the seal ⑩ to be interrupted, thus allowing the condensate to drain out.

• When pressure inside the bowl is released:

Even when pressure inside the bowl ① is released, the weight of the float ② causes the valve ④, which is connected to the lever ③, to seal the valve seat ⑤. As a result, the inside of the bowl ① is shut off from the outside air.

Therefore, even if there is an accumulation of condensate in the bowl ①, it will not drain out.

• When pressure is applied inside the bowl:

Even when pressure is applied inside the bowl ①, the weight of the float ② and the differential pressure that is applied to the valve ④ cause the valve ④ to seal the valve seat ⑤, and the outside air is shut off from the inside of the bowl ①.

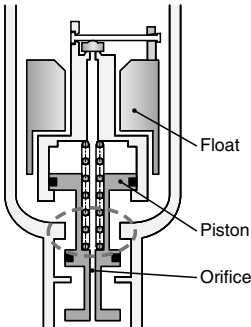
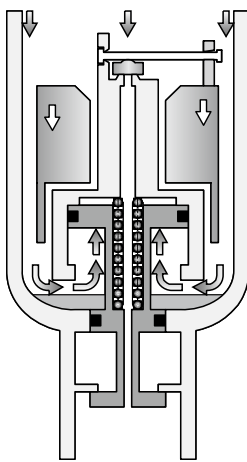
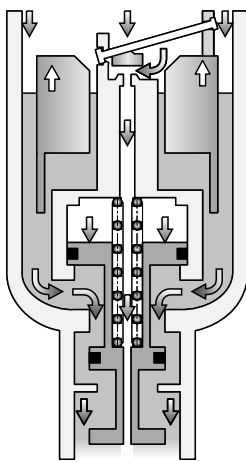
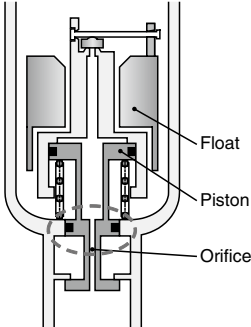
• When there is an accumulation of condensate in the bowl:

The float ② rises due to its own buoyancy and the seal at the valve seat ⑤ is interrupted.

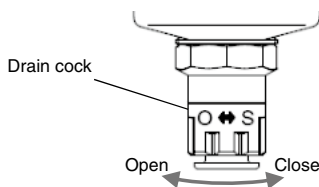
The condensate inside the bowl ① drains out through the knob ⑥.

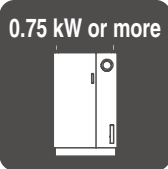
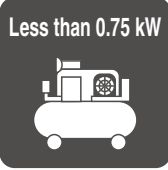
Turning the knob ⑥ manually counterclockwise lowers it and causes the sealing action of the valve seat ⑤ to be interrupted, which allows the condensate to drain out.

Operating State and Proper Use of Float Type Auto Drain

Auto drain	When pressure is not applied (After exhausting residual pressure)	When pressure is applied		Minimum operating pressure
		Before drain accumulates	When drain accumulates	
N.O. Normally open	Drain discharged (Open) 	Drain not discharged (Close) 	Drain discharged (Open) 	0.1 MPa or more AF30-A to AF60-A
	Drain not discharged (Close) 			

◆ For both N.O. and N.C., the drain can be discharged manually by turning the drain cock to the "O" position.
(Except for medium air pressure, AFF75B, AM□850, and free standing type)



Proper Use			Recommended auto drain
Compressor	When pressure is not applied (After exhausting residual pressure)	Cold climates	
0.75 kW or more 	Drain not accumulated Do not want to accumulate drain generated at the inlet side when pressure is not applied.	Want to prevent troubles caused by freezing.	N.O.*1 Normally open
Less than 0.75 kW 	Drain accumulated	—	N.C. Normally closed

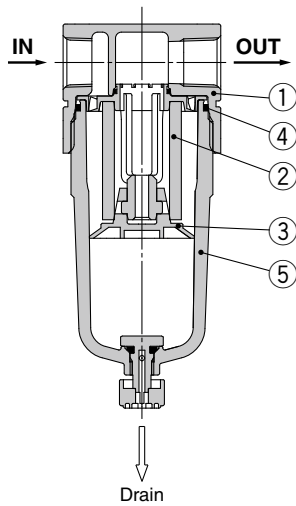
*1 For N.O. (Normally open) type, the drain discharge passage is open when pressure is not applied. For this reason, the drain exhaust port is not closed completely in a compressor with a small supply amount (less than 0.75 kW) and the air will ceaselessly blow out.

AC
 AF+AR+AL
 AW+AL
 AF+AR
 AF+AFM+AR
 AW+AFM
 Attachment
 AF
 AFM / AFD
 AR
 AL
 AW

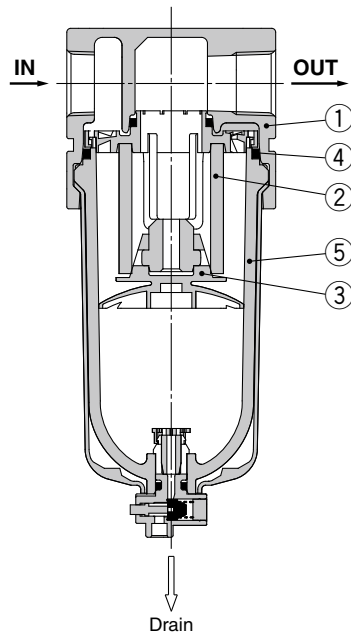
AF10-A to AF60-A Series

Construction

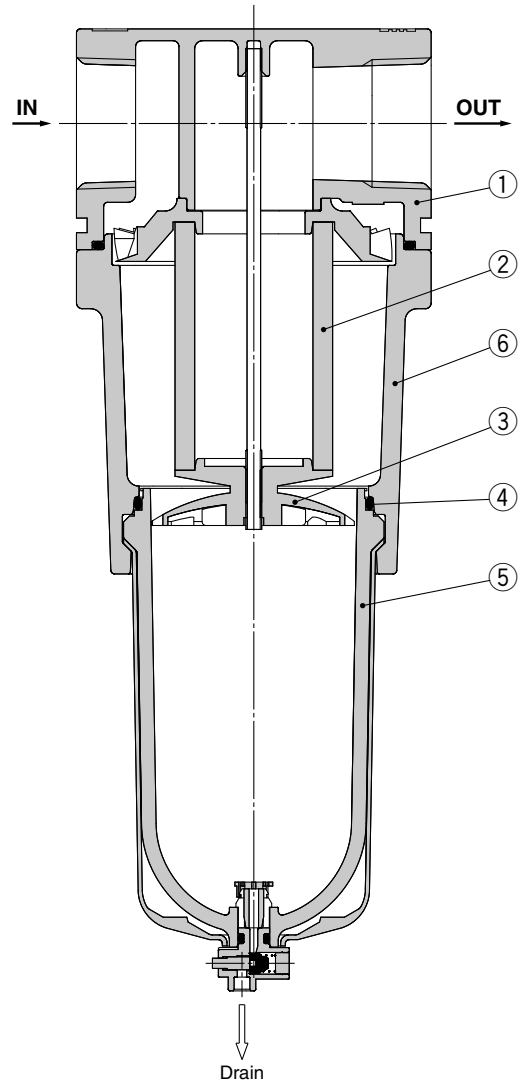
AF10-A/AF20-A



AF30-A to AF40-06-A



AF50-A/AF60-A



Component Parts

No.	Description	Material	Model	Color
1	Body	Zinc die-cast	AF10-A	White
		Aluminum die-cast	AF20-A to AF60-A	
6	Housing	Aluminum die-cast	AF50-A/AF60-A	White

Replacement Parts

No.	Description	Material	Part no.						
			AF10-A	AF20-A	AF30-A	AF40-A	AF40-06-A	AF50-A	AF60-A
2	Filter element	Non-woven fabric	AF10P-060S	AF20P-060S	AF30P-060S	AF40P-060S		AF50P-060S	AF60P-060S
3	Baffle	PBT	AF10P-040S *2	AF22P-040S	AF32P-040S	AF42P-040S		AF50P-040S	AF60P-040S
4	Bowl seal	NBR	C1SFP-260S	C2SFP-260S	C3SFP-260S	C42FP-260S			
5	Bowl assembly *1	Polycarbonate	C1SF-A	C2SF-A	C3SF-A	C4SF-A			

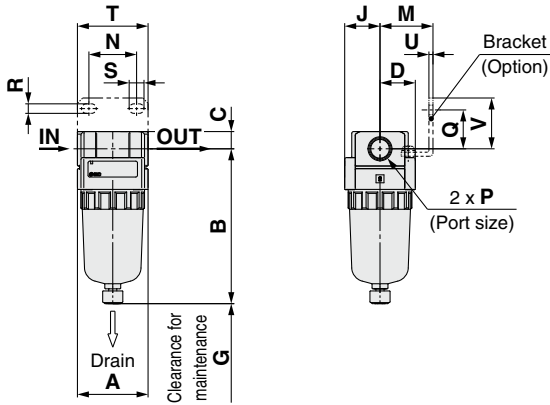
*1 Bowl seal is included for the AF20-A to AF60-A. Please contact SMC regarding the supply of bowl assembly with psi and °F unit specifications.

*2 The baffle material for the AF10-A (AF10P-040S) only is polyacetal.

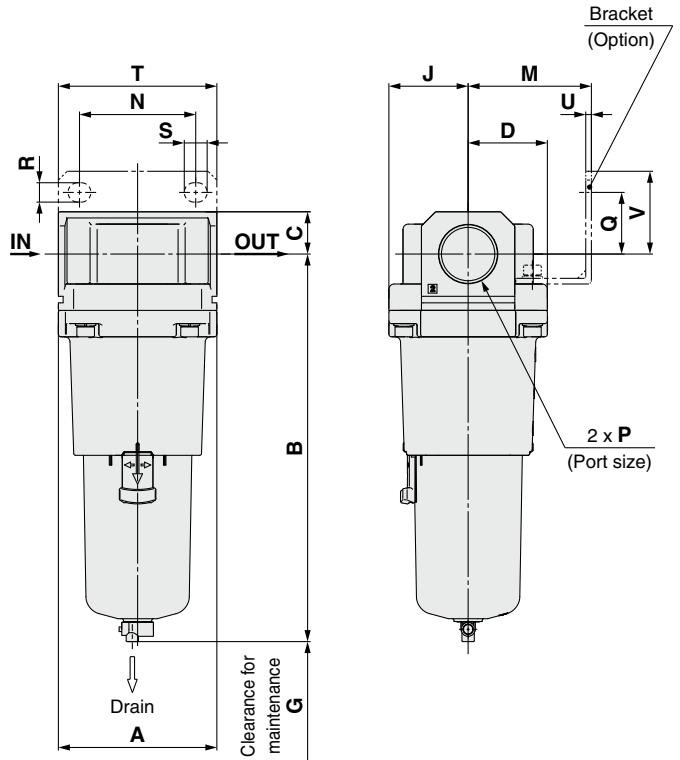
Air Filter **AF10-A to AF60-A Series**

Dimensions

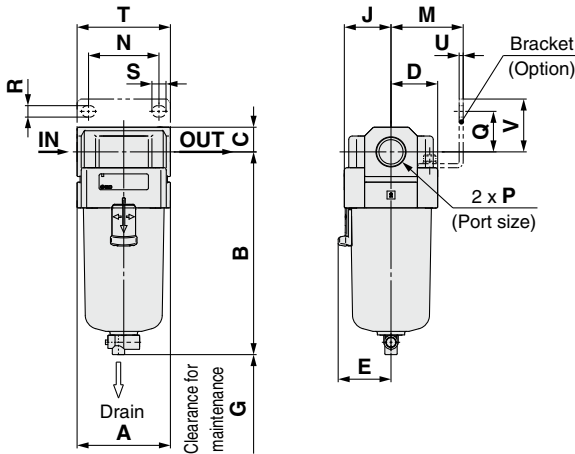
AF10-A/AF20-A



AF50-A/AF60-A



AF30-A to AF40-06-A



Applicable model	AF10-A/AF20-A		AF20-A		AF30-A to AF60-A
Optional/Semi-standard specifications	With auto drain (N.C.)	Metal bowl	With drain guide	Metal bowl with drain guide	With auto drain (N.O./N.C.)
Dimensions					

Applicable model	AF30-A to AF60-A					
Optional/Semi-standard specifications	Metal bowl	Metal bowl with drain guide	Metal bowl with level gauge	Metal bowl with level gauge, with drain guide	With drain guide	Drain cock with barb fitting
Dimensions						

Model	Standard specifications														Optional specifications				Semi-standard specifications						
															Bracket mount				With auto drain	With barb fitting	With drain guide	Metal bowl	Metal bowl with drain guide	Metal bowl with level gauge	Metal bowl with level gauge, with drain guide
	P	A	B	C	D	E	G	J	M	N	Q	R	S	T	U	V	B	B	B	B	B	B	B	B	
AF10-A	M5 x 0.8	25	59.9	7	12.5	—	25	12.5	—	—	—	—	—	—	—	77.9	—	—	—	59.3	—	—	—		
AF20-A	1/8, 1/4	40	87.6	9.8	20	—	25	20	30	27	22	5.4	8.4	40	2.3	28	104.9	—	—	91.4	87.4	93.9	—		
AF30-A	1/4, 3/8	53	115.1	14	26.7	30	35	26.7	41	35	23	6.5	13	53	2.3	30	156.8	123.6	121.9	117.6	122.1	137.6	142.1		
AF40-A	1/4, 3/8, 1/2	70	147.1	18	35.5	38.4	40	35.5	50	52	26	8.5	12.5	70	2.3	35	186.9	155.6	153.9	149.6	154.1	169.6	174.1		
AF40-06-A	3/4	75	149.1	20	35.5	38.4	40	35.5	50	52	25	8.5	12.5	70	2.3	34	188.9	157.6	155.9	151.6	156.1	171.6	176.1		
AF50-A	3/4, 1	90	220.1	24	45	—	30	45	70	66	35	11	13	90	3.2	47	259.9	228.6	226.9	222.6	227.1	242.6	247.1		
AF60-A	1	95	234.1	24	47.5	—	30	47.5	70	66	35	11	13	90	3.2	47	273.9	242.6	240.9	236.6	241.1	256.6	261.1		

AC
 AF+AR+AL
 AW+AL
 AF+AR
 AF+AFM+AR
 AW+AFM
 Attachment
 AF
 AFM / AFD
 AR
 AL
 AW

AF10-A to AF60-A Air Filter Made to Order

Please contact SMC for detailed dimensions, specifications and lead times.



① Long Bowl

Drain capacity is greater than that of standard models.

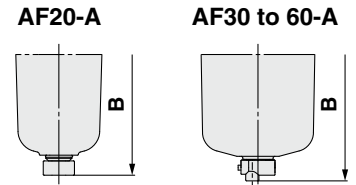
Applicable Model/Drain Capacity

Model	AF10-A	AF20-A	AF30-A	AF40-A	AF40-06-A	AF50-A	AF60-A
Port size	M5	1/8, 1/4	1/4, 3/8	1/4, 3/8, 1/2	3/4	3/4, 1	1
Drain capacity [cm ³]	9	19	43	88			
B dimension [mm]*1	81.6	108.6	137.1	167.2	169.2	240.2	254.2

*1 For polycarbonate bowls. Please contact SMC for other bowl materials.

AF **30** - **03** - **03** - **A** - **X64**

① ② ③ ④ ⑤ • Long bowl



- Semi-standard: Select one each for a to d.
- Option/Semi-standard symbol: When more than one specification is required, indicate in alphanumeric order.
Example) AF30-03B-2R-A-X64

		Symbol	Description	① Body size						
				10	20	30	40	50	60	
②	Pipe thread type	Nil	Metric thread (M5)	●	—	—	—	—	—	
		N*1	Rc	—	●	●	●	●	●	
		F*2	NPT	—	●	●	●	●	●	
			G	—	●	●	●	●	●	
+										
③	Port size	M5	M5	●	—	—	—	—	—	
		01	1/8	—	●	—	—	—	—	
		02	1/4	—	●	●	—	—	—	
		03	3/8	—	—	●	●	—	—	
		04	1/2	—	—	—	●	—	—	
		06	3/4	—	—	—	—	●	—	
		10	1	—	—	—	—	●	●	
+										
④	Option (Mounting)	Nil	Without mounting option	●	●	●	●	●	●	
		B*3	With bracket	—	●	●	●	●	●	
+										
⑤	a	Bowl*4	Nil	Polycarbonate bowl	●	●	●	●	●	●
			2	Metal bowl	●	●	●	●	●	●
			6	Nylon bowl	●	●	●	●	●	●
			C	With bowl guard	—	●	—*5	—*5	—*5	—*5
			6C	With bowl guard (Nylon bowl)	—	●	—*6	—*6	—*6	—*6
	+									
	b	Drain port	Nil	With drain cock	●	●	●	●	●	●
			J*7	Drain guide 1/8	—	●	—	—	—	—
			W*8	Drain guide 1/4	—	—	●	●	●	●
	c	Flow direction	Nil	Drain cock with barb fitting (for ø6 x ø4 nylon tube)	—	—	●	●	●	●
	+									
	d	Pressure unit	Nil	Flow direction: Left to right	●	●	●	●	●	●
			R	Flow direction: Right to left	●	●	●	●	●	●
+										
d	Pressure unit	Nil	Name plate and caution plate for bowl in SI units: MPa	●	●	●	●	●	●	
		Z*9	Name plate and caution plate for bowl in imperial units: psi, °F	○*10	○*10	○*10	○*10	○*10	○*10	

*1 Drain guide is NPT1/8 (applicable to the AF20-A) and NPT1/4 (applicable to the AF30-A to AF60-A).

*2 Drain guide is G1/8 (applicable to the AF20-A) and G1/4 (applicable to the AF30-A to AF60-A).

*3 Option B is not assembled and supplied loose at the time of shipment. Assembly of a bracket and 2 mounting screws.

*4 Refer to chemical data on page 46 for chemical resistance of the bowl.

*5 A bowl guard is provided as standard equipment (polycarbonate).

*6 A bowl guard is provided as standard equipment (nylon).

*7 Without a valve function

*8 The combination of metal bowl: 2 is not available.

*9 For pipe thread type: NPT. This product is for overseas use only according to the new Measurement Act. (The SI unit type is provided for use in Japan.)

*10 ○: For pipe thread type: NPT only

AF20-A to AF60-A Air Filter Made to Order

Please contact SMC for detailed dimensions, specifications and lead times.



② With Element Service Indicator

Clogging status of elements can be checked visually.

Applicable Model

Model	AF20-A	AF30-A	AF40-A	AF40-06-A	AF50-A	AF60-A
Port size	1/8, 1/4	1/4, 3/8	1/4, 3/8, 1/2	3/4	3/4, 1	1

AF **30** - **03** - **03** - **A** - **X2141**

① ② ③ ④ ⑤

- Option/Semi-standard: Select one each for a to f.
- Option/Semi-standard symbol: When more than one specification is required, indicate in alphanumeric order.
Example) AF30-03BD-2R-A-X2141

• With element service indicator

A special body type is required to mount the element service indicator. It cannot be mounted on a standard body.

	Symbol	Description	① Body size						
			20	30	40	50	60		
② Pipe thread type	Nil	Rc	●	●	●	●	●		
	N*1	NPT	●	●	●	●	●		
	F*2	G	●	●	●	●	●		
③ Port size	01	1/8	●	—	—	—	—		
	02	1/4	●	●	—	—	—		
	03	3/8	—	●	●	—	—		
	04	1/2	—	—	●	—	—		
	06	3/4	—	—	●	●	—		
	10	1	—	—	—	●	●		
④ Option	a Mounting	Nil	Without mounting option		●	●	●	●	●
		B*3	With bracket		●	●	●	●	●
	b Float type auto drain	Nil	Without auto drain		●	●	●	●	●
		C*4	N.C. (Normally closed) Drain port is closed when pressure is not applied.		●	●	●	●	●
		D*5	N.O. (Normally open) Drain port is open when pressure is not applied.		—	●	●	●	●
	⑤ Semi-standard	c Bowl*6	Nil	Polycarbonate bowl		●	●	●	●
2			Metal bowl		●	●	●	●	●
6			Nylon bowl		●	●	●	●	●
8			Metal bowl with level gauge		—	●	●	●	●
d Drain port*7		Nil	With drain cock		—	●	●	●	●
		J*8	Drain guide 1/8		●	—	—	—	—
	W*9	Drain cock with barb fitting (for ø6 x ø4 nylon tube)		—	●	●	●	●	
e Flow direction	Nil	Flow direction: Left to right		●	●	●	●	●	
	R	Flow direction: Right to left		●	●	●	●	●	
f Pressure unit	Nil	Name plate and caution plate for bowl in SI units: MPa		●	●	●	●	●	
	Z*10	Name plate and caution plate for bowl in imperial units: psi, °F		○*11	○*11	○*11	○*11	○*11	

- *1 Drain guide is NPT1/8 (applicable to the AF20-A) and NPT1/4 (applicable to the AF30-A to AF60-A).
The auto drain port comes with ø3/8" One-touch fitting (applicable to the AF30-A to AF60-A).
- *2 Drain guide is G1/8 (applicable to the AF20-A) and G1/4 (applicable to the AF30-A to AF60-A).
- *3 Option B is not assembled and supplied loose at the time of shipment. Assembly of a bracket and 2 mounting screws.
- *4 When pressure is not applied, condensate which does not start the auto drain mechanism will be left in the bowl.
Releasing the residual condensate before ending operations for the day is recommended.
- *5 If the compressor is small (0.75 kW, discharge flow is less than 100 L/min [ANR]), air leakage from the drain cock may occur during start of operations. N.C. type is recommended.
- *6 Refer to chemical data on page 46 for chemical resistance of the bowl.
- *7 The combination of float type auto drain: C and D is not available.
- *8 Without a valve function
- *9 The combination of metal bowl: 2 and 8 is not available.
- *10 For pipe thread type: NPT. This product is for overseas use only according to the new Measurement Act. (The SI unit type is provided for use in Japan.)
- *11 ○: For pipe thread type: NPT only

AC
AF+AR+AL
AW+AL
AF+AR
AF+AFM+AR
AW+AFM
Attachment
AF
AFM / AFD
AR
AL
AW

AF20-A to AF60-A Air Filter

Made to Order

Please contact SMC for detailed dimensions, specifications and lead times.



③ Special Temperature Environment

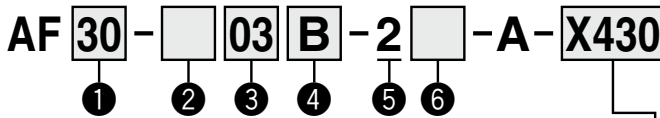
Special materials are used in the manufacturing of seals and resin parts to allow them to withstand various temperature conditions in cold or tropical (hot) climates.

Specifications

Made-to-order part no.	-X430	-X440
Environment	Low temperature	High temperature
Ambient temperature [°C]	-30 to 60	-5 to 80
Fluid temperature [°C]	-5 to 60 (with no freezing)	
Material	Rubber parts	Special NBR
	Main parts	Metal (Aluminum die-cast, etc.)

Applicable Model

Model	AF30-A	AF40-A	AF40-06-A	AF50-A	AF60-A
Port size	1/4, 3/8	1/4, 3/8, 1/2	3/4	3/4, 1	1



- Semi-standard: Select one each for **a** to **c**.
 - Semi-standard symbol: When more than one specification is required, indicate in alphabetic order.
- Example) AF30-03B-2R-A-X430

For high/low temperature

X430	Low temperature
X440	High temperature

	Symbol	Description	① Body size				
			30	40	50	60	
② Pipe thread type	Nil	Rc	●	●	●	●	
	N*1	NPT	●	●	●	●	
	F*2	G	●	●	●	●	
③ Port size	02	1/4	●	●	—	—	
	03	3/8	●	●	—	—	
	04	1/2	—	●	—	—	
	06	3/4	—	●	●	—	
	10	1	—	—	●	●	
④ Option (Mounting)	Nil	Without mounting option	●	●	●	●	
	B*3	With bracket	●	●	●	●	
⑤ Bowl*4	2	Metal bowl	●	●	●	●	
⑥ Semi-standard	a Drain port	Nil	With drain cock	●	●	●	●
		J*5	Drain guide 1/4	●	●	●	●
	b Flow direction	Nil	Flow direction: Left to right	●	●	●	●
		R	Flow direction: Right to left	●	●	●	●
	c Pressure unit	Nil	Name plate and caution plate for bowl in SI units: MPa	●	●	●	●
		Z*6	Name plate and caution plate for bowl in imperial units: psi, °F	○*7	○*7	○*7	○*7

- *1 Drain guide is NPT1/4.
- *2 Drain guide is G1/4.
- *3 A bracket is not assembled and supplied loose at the time of shipment. Including 2 mounting screws
- *4 Only metal bowl 2 is available.
- *5 Without a valve function
- *6 For pipe thread type: NPT. This product is for overseas use only according to the new Measurement Act. (The SI unit type is provided for use in Japan.)
- *7 ○: For pipe thread type: NPT only

④ High Pressure

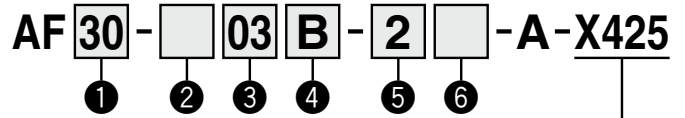
Strong materials are used in the manufacturing of air filters intended for high pressure operation.

Specifications

Made-to-order part no.	-X425
Proof pressure [MPa]	3.0
Maximum operating pressure [MPa]	2.0
Ambient and fluid temperature [°C]	-5 to 60 (with no freezing)

Applicable Model

Model	AF20-A	AF30-A	AF40-A	AF40-06-A	AF50-A	AF60-A
Port size	1/8, 1/4	1/4, 3/8	1/4, 3/8, 1/2	3/4	3/4, 1	1



For high pressure

- Semi-standard: Select one each for **a** to **c**.
 - Semi-standard symbol: When more than one specification is required, indicate in alphabetic order.
- Example) AF30-03B-2R-A-X425

	Symbol	Description	① Body size				
			20	30	40	50	60
② Pipe thread type	Nil	Rc	●	●	●	●	
	N*1	NPT	●	●	●	●	
	F*2	G	●	●	●	●	
③ Port size	01	1/8	●	—	—	—	
	02	1/4	●	●	—	—	
	03	3/8	—	●	—	—	
	04	1/2	—	—	●	—	
	06	3/4	—	—	●	●	
	10	1	—	—	—	●	●
④ Option (Mounting)	Nil	Without mounting option	●	●	●	●	
	B*3	With bracket	●	●	●	●	
⑤ Bowl*4	2	Metal bowl	●	●	●	●	
	8	Metal bowl with level gauge	—	●	●	●	
⑥ Semi-standard	a Drain port	Nil	With drain cock	●	●	●	●
		J*5	Drain guide 1/8	●	—	—	—
	b Flow direction	Nil	Flow direction: Left to right	●	●	●	●
		R	Flow direction: Right to left	●	●	●	●
	c Pressure unit	Nil	Name plate and caution plate for bowl in SI units: MPa	●	●	●	●
		Z*6	Name plate and caution plate for bowl in imperial units: psi, °F	○*7	○*7	○*7	○*7

- *1 Drain guide is NPT1/8 (applicable to the AF20-A) and NPT1/4 (applicable to the AF30-A to AF60-A).
- *2 Drain guide is G1/8 (applicable to the AF20-A) and G1/4 (applicable to the AF30-A to AF60-A).
- *3 A bracket is not assembled and supplied loose at the time of shipment. Including 2 mounting screws
- *4 Only metal bowl 2 and 8 are available.
- *5 Without a valve function
- *6 For pipe thread type: NPT. This product is for overseas use only according to the new Measurement Act. (The SI unit type is provided for use in Japan.)
- *7 ○: For pipe thread type: NPT only

AF20-A to AF60-A Air Filter Made to Order

Please contact SMC for detailed dimensions, specifications and lead times.



⑤ Clean Series

For details, refer to the Clean Series/Low Particle Generation section of the **Web Catalog**.

10 - Standard model no.

* Please contact SMC if a product with pressure gauge is desired.

- Clean series

⑥ Copper, Fluorine and Silicone-free + Low Particle Generation

For details, refer to the Clean Series/Low Particle Generation section of the **Web Catalog**.

21 - Standard model no.

- Copper, fluorine and silicone-free + Low particle generation

AC
AF+AR+AL
AW+AL
AF+AR
AF+AFM+AR
AW+AFM
Attachment
AF
AFM / AFD
AR
AL
AW

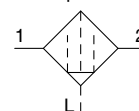
Mist Separator

AFM20-A to AFM40-A

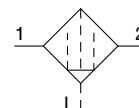
Micro Mist Separator

AFD20-A to AFD40-A

Symbol
Mist Separator



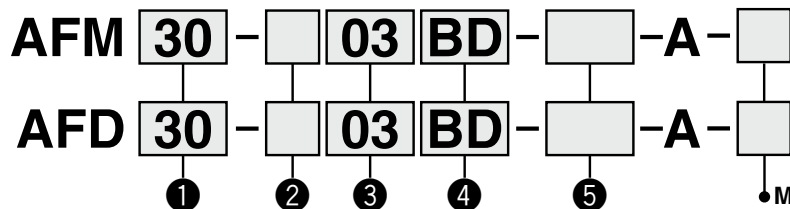
Symbol
Micro Mist Separator



• AFM Series Nominal filtration rating: 0.3 μm • AFD Series Nominal filtration rating: 0.01 μm

The AFM-A/AFD-A is to be discontinued as of March 2025.
Select the AFM-D/AFD-D as a substitute. [Click here for details.](#)

How to Order



• Option/Semi-standard: Select one each for a to f.
• Option/Semi-standard symbol: When more than one specification is required, indicate in alphanumeric order.
Example) AFM30-03BD-R-A

• Made to order
(Refer to pages 61 to 63 for details.)

		Symbol	Description	①			
				Body size			
				20	30	40	
②	Pipe thread type	Nil	Rc	●	●	●	
		N*1	NPT	●	●	●	
		F*2	G	●	●	●	
+							
③	Port size	01	1/8	●	—	—	
		02	1/4	●	●	●	
		03	3/8	—	●	●	
		04	1/2	—	—	●	
		06	3/4	—	—	●	
+							
④	a	Mounting	Nil	Without mounting option	●	●	●
			B*3	With bracket	●	●	●
	+						
	b	Float type auto drain	Nil	Without auto drain	●	●	●
			C*4	N.C. (Normally closed) Drain port is closed when pressure is not applied.	●	●	●
			D*5	N.O. (Normally open) Drain port is open when pressure is not applied.	—	●	●
+							
⑤	c	Bowl *6	Nil	Polycarbonate bowl	●	●	●
			2	Metal bowl	●	●	●
			6	Nylon bowl	●	●	●
			8	Metal bowl with level gauge	—	●	●
			C	With bowl guard	●	—*7	—*7
			6C	With bowl guard (Nylon bowl)	●	—*8	—*8
	+						
	d	Drain port *12	Nil	With drain cock	●	●	●
			J*9	Drain guide 1/8	●	—	—
				Drain guide 1/4	—	●	●
W*13	Drain cock with barb fitting (for ø6 x ø4 nylon tube)	—	●	●			
+							
e	Flow direction	Nil	Flow direction: Left to right	●	●	●	
		R	Flow direction: Right to left	●	●	●	
+							
f	Pressure unit	Nil	Name plate and caution plate for bowl in SI units: MPa	●	●	●	
		Z*10	Name plate and caution plate for bowl in imperial units: psi, °F	○*11	○*11	○*11	

*1 Drain guide is NPT1/8 (applicable to the AFM20-A, AFD20-A) and NPT1/4 (applicable to the AFM30-A/40-A, AFD30-A/40-A).

The auto drain port comes with ø3/8" One-touch fitting (applicable to the AFM30-A/40-A, AFD30-A/40-A).

*2 Drain guide is G1/8 (applicable to the AFM20-A, AFD20-A) and G1/4 (applicable to the AFM30-A/40-A, AFD30-A/40-A).

*3 A bracket is not assembled and supplied loose at the time of shipment. Including 2 mounting screws

*4 When pressure is not applied, condensate which does not start the auto drain mechanism will be left in the bowl.

Releasing the residual condensate before ending operations for the day is recommended.

*5 If the compressor is small (0.75 kW, discharge flow is less than 100 L/min [ANR]), air leakage from the drain cock may occur during start of operations. N.C. type is recommended.

*6 Refer to chemical data on page 58 for chemical resistance of the bowl.

*7 A bowl guard is provided as standard equipment (polycarbonate).

*8 A bowl guard is provided as standard equipment (nylon).

*9 Without a valve function

*10 For pipe thread type: NPT. This product is for overseas use only according to the new Measurement Act. (The SI unit type is provided for use in Japan.)

*11 ○: For pipe thread type: NPT only

*12 The combination of float type auto drain: C and D is not available.

*13 The combination of metal bowl: 2 and 8 is not available.

Mist Separator **AFM20-A to AFM40-A Series**

Micro Mist Separator **AFD20-A to AFD40-A Series**

Standard Specifications

Model	AFM20-A AFD20-A	AFM30-A AFD30-A	AFM40-A AFD40-A	AFM40-06-A AFD40-06-A
Port size	1/8, 1/4	1/4, 3/8	1/4, 3/8, 1/2	3/4
Fluid	Air			
Ambient and fluid temperature	-5 to 60°C (with no freezing)			
Proof pressure	1.5 MPa			
Maximum operating pressure	1.0 MPa			
Minimum operating pressure	0.05 MPa			
Nominal filtration rating	AFM20-A to AFM40-06-A	0.3 μm (99.9% filtered particle size)		
	AFD20-A to AFD40-06-A	0.01 μm (99.9% filtered particle size)		
Outlet side oil mist concentration	AFM20-A to AFM40-06-A	Max. 1.0 mg/m ³ (ANR) (≈ 0.8 ppm) *2 *3		
	AFD20-A to AFD40-06-A	Max. 0.1 mg/m ³ (ANR) (Before saturated with oil 0.01 mg/m ³ (ANR) or less ≈ 0.008 ppm) *2 *3		
Rated flow [L/min (ANR)] *1	AFM20-A to AFM40-06-A	200	450	1100
	AFD20-A to AFD40-06-A	120	240	600
Drain capacity [cm ³]	8	25	45	
Bowl material	Polycarbonate			
Bowl guard	Semi-standard (Steel)		Standard (Polycarbonate)	
Weight [kg]	0.09	0.19	0.38	0.43

*1 Conditions: Inlet pressure: 0.7 MPa; The rated flow varies depending on the inlet pressure.

Keep the air flow within the rated flow to prevent an outflow of lubricant to the outlet side.

*2 When the compressor oil mist discharge concentration is 30 mg/m³ (ANR).

*3 Bowl seal and other O-rings are slightly lubricated.

Options/Part No.

Optional specifications	Model			
	AFM20-A AFD20-A	AFM30-A AFD30-A	AFM40-A AFD40-A	AFM40-06-A AFD40-06-A
Bracket assembly *1	AF22P-050AS	AF32P-050AS	AF42P-050AS	AF42P-070AS
Float type auto drain *2 *3	N.C.	AD27-A	AD37-A	AD47-A
	N.O.	—	AD38-A	AD48-A

*1 Assembly of a bracket and 2 mounting screws

*2 Minimum operating pressure: N.O. type—0.1 MPa; N.C. type—0.1 MPa (AD27-A) and 0.15 MPa (AD37-A/AD47-A).

Please consult with SMC separately for psi and °F unit display specifications.

*3 Please consult with SMC for details on drain piping to fit NPT or G port sizes.

Bowl Assembly/Part No.

Bowl material	Drain discharge mechanism	Drain port	Other	Model			
				AFM20-A AFD20-A	AFM30-A AFD30-A	AFM40-A AFD40-A	AFM40-06-A AFD40-06-A
Polycarbonate	Manual	With drain cock	—	C2SF-A	—	—	
		With bowl guard	—	C2SF-C-A	C3SF-A	C4SF-A	
		Drain cock with barb fitting	With bowl guard	—	C3SF-W-A	C4SF-W-A	
		With drain guide (without valve function)	—	C2SF□-J-A	—	—	
	Automatic *1 (Auto drain)	Normally closed (N.C.)	—	AD27-A	—	—	
			With bowl guard	AD27-C-A	AD37□-A	AD47□-A	
		Normally open (N.O.)	—	—	AD38□-A	AD48□-A	
			With bowl guard	—	—	—	
Nylon	Manual	With drain cock	—	C2SF-6-A	—	—	
		With bowl guard	—	C2SF-6C-A	C3SF-6-A	C4SF-6-A	
		Drain cock with barb fitting	With bowl guard	—	C3SF-6W-A	C4SF-6W-A	
		With drain guide (without valve function)	—	C2SF□-6J-A	—	—	
	Automatic *1 (Auto drain)	Normally closed (N.C.)	—	AD27-6-A	—	—	
			With bowl guard	AD27-6C-A	AD37□-6-A	AD47□-6-A	
		Normally open (N.O.)	—	—	AD38□-6-A	AD48□-6-A	
			With bowl guard	—	—	—	
Metal	Manual	With drain cock	—	C2SF-2-A	C3SF-2-A	C4SF-2-A	
		With level gauge	—	—	C3LF-8-A	C4LF-8-A	
		With drain guide (without valve function)	—	C2SF□-2J-A	C3SF□-2J-A	C4SF□-2J-A	
		With level gauge	—	—	C3LF□-8J-A	C4LF□-8J-A	
	Automatic *1 (Auto drain)	Normally closed (N.C.)	—	AD27-2-A	AD37□-2-A	AD47□-2-A	
			With level gauge	—	—	AD37□-8-A	AD47□-8-A
		Normally open (N.O.)	—	—	AD38□-2-A	AD48□-2-A	
			With level gauge	—	—	AD38□-8-A	AD48□-8-A

*1 Minimum operating pressure: N.O. type—0.1 MPa (AD38-A, AD48-A); N.C. type—0.1 MPa (AD17-A, AD27-A) and 0.15 MPa (AD37-A, AD47-A).

Bowl assembly for the AFM20-A to AFM40-06-A, AFD20-A to AFD40-06-A models comes with a bowl seal.

□ in bowl assembly part numbers indicates a pipe thread type (applicable tubing for auto drain). No indication is necessary for Rc thread; however, indicate N for NPT thread, and F for G thread. (For auto drain, Nil: ø10, N: ø3/8")

Please consult with SMC separately for psi and °F unit display specifications.

AC
 AF+AR+AL
 AF+AL
 AW+AL
 AF+AR
 AF+AFM+AR
 AW+AFM
 Attachment
 AF
 AFM / AFD
 AR
 AL
 AW

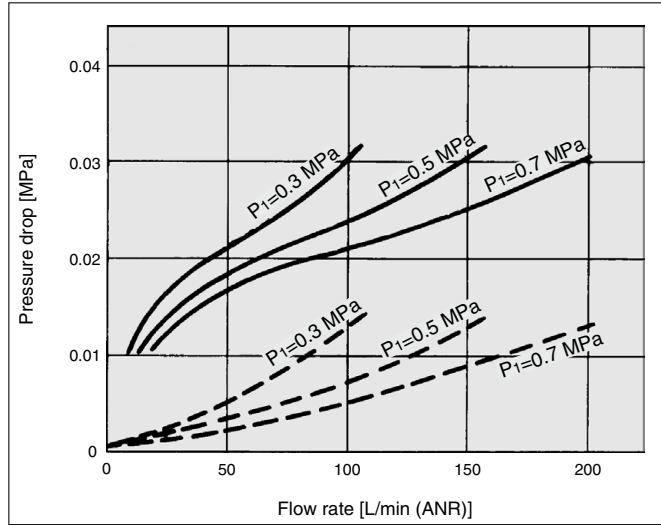
AFM20-A to AFM40-A Series

AFD20-A to AFD40-A Series

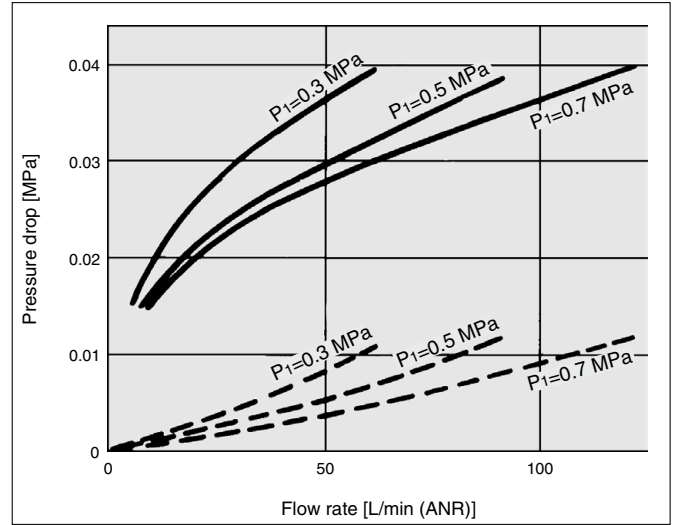
Flow Rate Characteristics (Representative values)

— When saturated with oil
 - - - Initial state

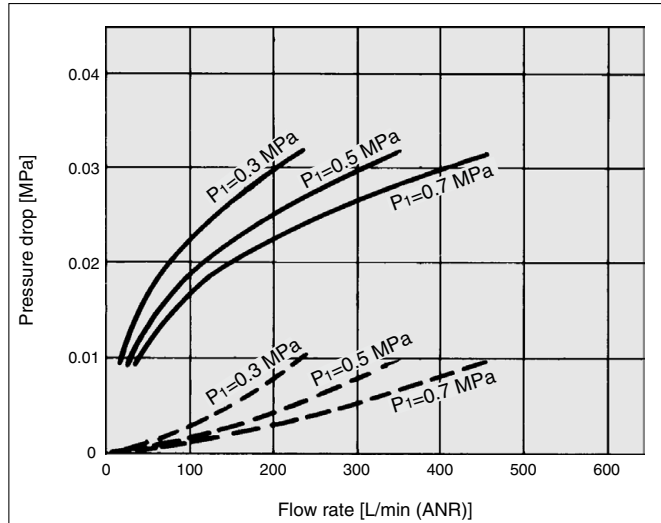
AFM20-A



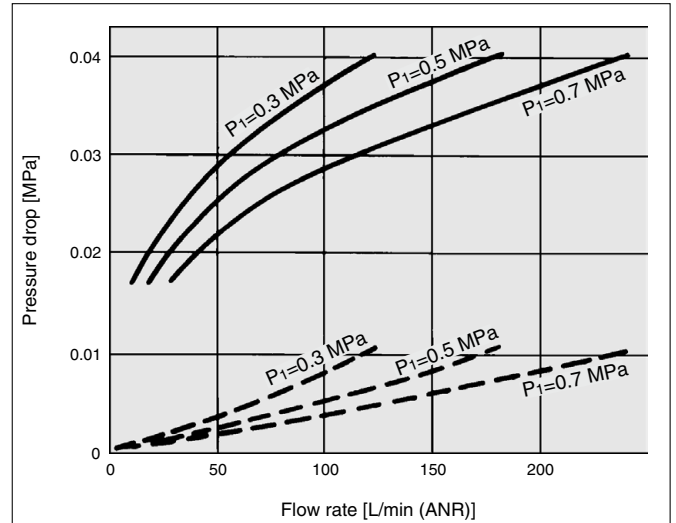
AFD20-A



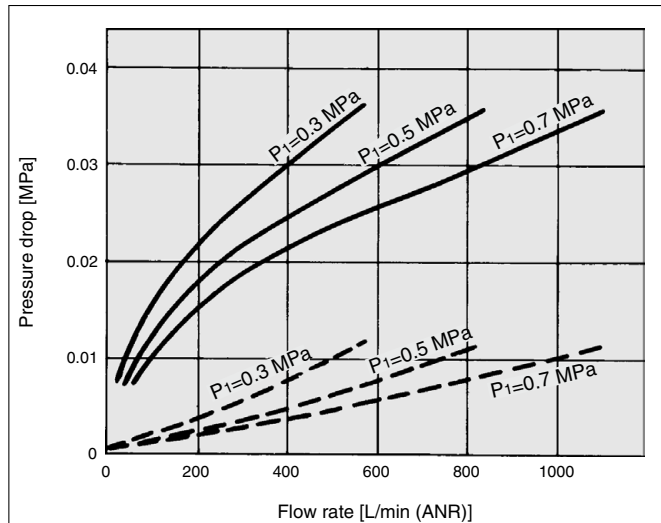
AFM30-A



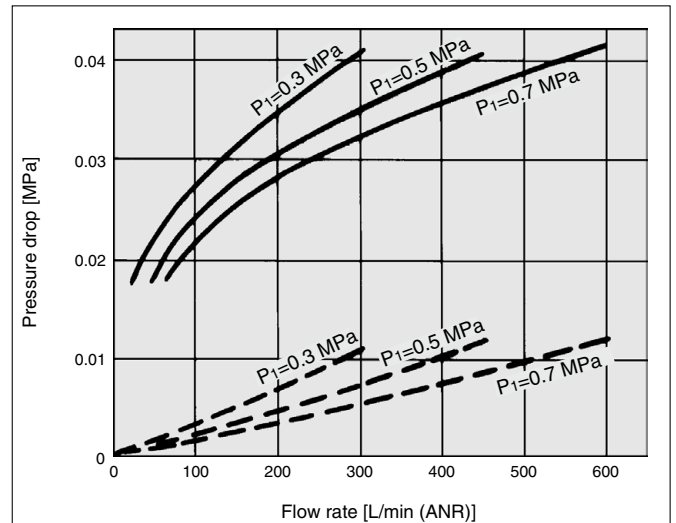
AFD30-A



AFM40-A



AFD40-A



Mist Separator **AFM20-A to AFM40-A Series**

Micro Mist Separator **AFD20-A to AFD40-A Series**

⚠ Specific Product Precautions

Be sure to read this before handling the products. Refer to the back cover for safety instructions. For F.R.L. units precautions, refer to the "Handling Precautions for SMC Products" and the "Operation Manual", <https://www.smcworld.com>

Design/Selection

⚠ Warning

- The standard bowl for the air filter, filter regulator, and lubricator, as well as the sight dome for the lubricator are made of polycarbonate. Do not use in an environment where they are exposed to or come in contact with organic solvents, chemicals, cutting oil, synthetic oil, alkali, and thread lock solutions.

Effects of atmosphere of organic solvents and chemicals, and where these elements are likely to adhere to the equipment.
Chemical data for substances causing degradation (Reference)

Type	Chemical name	Application examples	Material	
			Polycarbonate	Nylon
Acid	Hydrochloric acid Sulfuric acid, Phosphoric acid Chromic acid	Acid washing liquid for metals	△	×
Alkaline	Sodium hydroxide (Caustic soda) Potash Calcium hydroxide (Slack lime) Ammonia water Carbonate of soda	Degreasing of metals Industrial salts Water-soluble cutting oil	×	○
Inorganic salts	Sodium sulfide Potassium nitrate Sulfate of soda	—	×	△
Chlorine solvents	Carbon tetrachloride Chloroform Ethylene chloride Methylene chloride	Cleansing liquid for metals Printing ink Dilution	×	△
Aromatic series	Benzene Toluene Paint thinner	Coatings Dry cleaning	×	△
Ketone	Acetone Methyl ethyl ketone Cyclohexane	Photographic film Dry cleaning Textile industries	×	×
Alcohol	Ethyl alcohol IPA Methyl alcohol	Antifreeze Adhesives	△	×
Oil	Gasoline Kerosene	—	×	○
Ester	Phthalic acid dimethyl Phthalic acid diethyl Acetic acid	Synthetic oil Anti-rust additives	×	○
Ether	Methyl ether Ethyl ether	Brake oil additives	×	○
Amino	Methyl amino	Cutting oil Brake oil additives Rubber accelerator	×	×
Others	Thread-lock fluid Seawater Leak tester	—	×	△

○: Essentially safe △: Some effects may occur. ×: Effects will occur.

When the above factors are present, or there is some doubt, use a metal bowl for safety.

Air Supply

⚠ Caution

- Install an air filter (AF series) as a pre-filter on the inlet side of the mist separator to prevent premature clogging.
- Install a mist separator (AFM series) as a pre-filter on the inlet side of the micro mist separator to prevent premature clogging.
- Do not install on the inlet side of the dryer as this can cause premature clogging of the element.

Maintenance

⚠ Warning

- Replace the element every 2 years or when the pressure drop becomes 0.1 MPa, whichever comes first, to prevent damage to the element.

Mounting/Adjustment

⚠ Caution

- When the bowl is installed on the mist separator (AFM30-A/AFM40-A), or micro mist separator (AFD30-A/AFD40-A), install them so that the lock button lines up to the groove of the front (or the back) of the body to avoid drop or damage of the bowl.



Design

⚠ Caution

- Design the system so that the mist separator is installed in a pulsation-free location. The difference between internal and external pressure inside the element should be kept within 0.1 MPa, as exceeding this value could cause damage.

Selection

⚠ Caution

- Do not allow air flow that exceeds the rated flow. If the air flow is allowed outside the range of the rated flow even momentarily, drainage and lubricant may splash at the outlet side or cause damage to the component.
- Do not use in a low pressure application (such as a blower). An F.R.L. unit has its own minimum operating pressure depending on the equipment and is designed specifically to function with compressed air. If used below the minimum operating pressure, a loss of performance and malfunction can occur. Please contact SMC if an application under such conditions cannot be avoided.

AC

AF+AR+AL

AW+AL

AF+AR

AF+AFM+AR

AW+AFM

Attachment

AF

AFM / AFD

AR

AL

AW

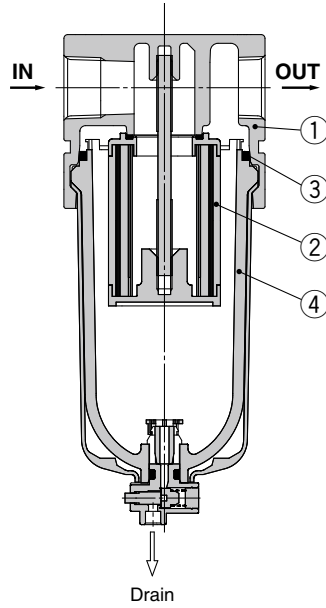
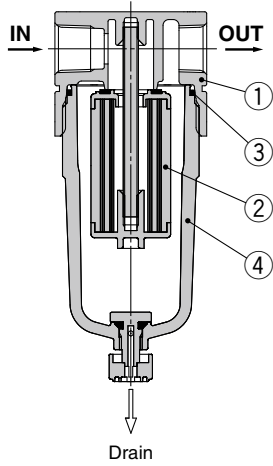
AFM20-A to AFM40-A Series

AFD20-A to AFD40-A Series

Construction

AFM20-A
AFD20-A

AFM30-A to AFM40-06-A
AFD30-A to AFD40-06-A



Component Parts

No.	Description	Material	Model	Color
1	Body	Aluminum die-cast	AFM20-A to AFM40-06-A AFD20-A to AFD40-06-A	White

Replacement Parts

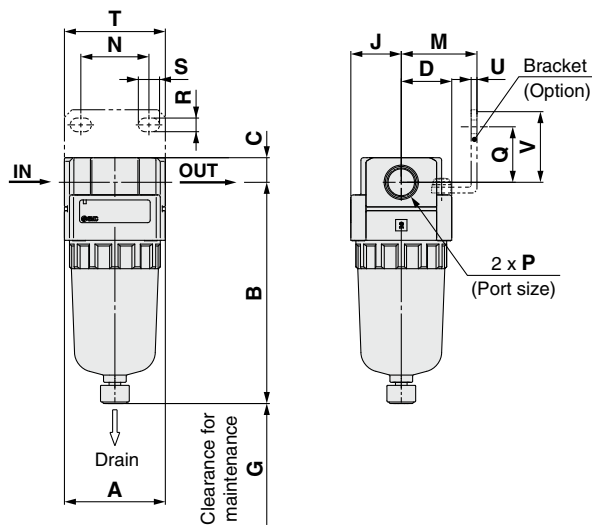
No.	Description	Material	Part no.			
			AFM20-A AFD20-A	AFM30-A AFD30-A	AFM40-A AFD40-A	AFM40-06-A AFD40-06-A
2	Element assembly	AFM20 to 40	—	AFM20P-060AS	AFM30P-060AS	AFM40P-060AS
		AFD20 to 40	—	AFD20P-060AS	AFD30P-060AS	AFD40P-060AS
3	Bowl seal	NBR	C2SFP-260S	C32FP-260S	C42FP-260S	
4	Bowl assembly *1	Polycarbonate	C2SF-A	C3SF-A	C4SF-A	

*1 Bowl seal is included. Please contact SMC regarding the supply of bowl assembly with psi and °F unit display specifications.

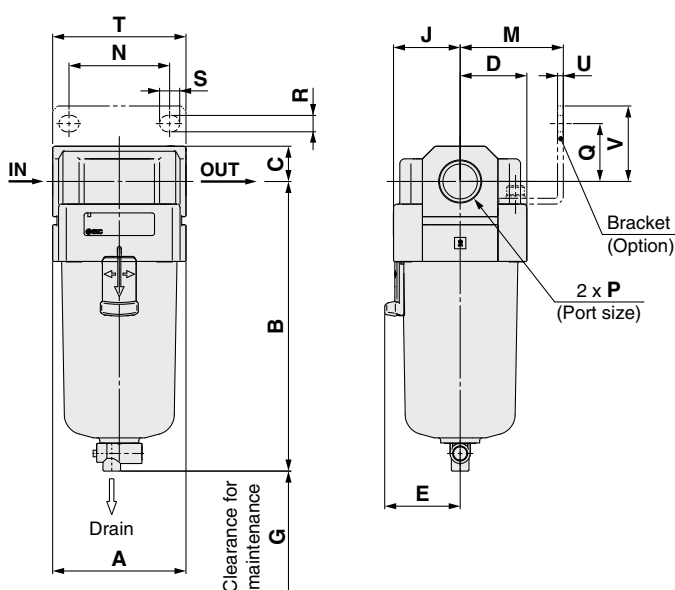
Mist Separator **AFM20-A to AFM40-A Series** Micro Mist Separator **AFD20-A to AFD40-A Series**

Dimensions

AFM20-A AFD20-A



AFM30-A to AFM40-06-A AFD30-A to AFD40-06-A



Applicable model	AFM20-A/AFD20-A				AFM30-A to AFM40-06-A/AFD30-A to AFD40-06-A
Optional/Semi-standard specifications	With auto drain (N.C.)	With drain guide	Metal bowl	Metal bowl with drain guide	With auto drain (N.O./N.C.)
Dimensions	 M5 x 0.8	 Width across flats 14 1/8	 B	 Width across flats 14 1/8	 N.O.: Black N.C.: Gray Thread type/Rc, G: ø10 One-touch fitting Thread type/NPT: ø3/8" One-touch fitting

Applicable model	AFM30-A to AFM40-06-A/AFD30-A to AFD40-06-A					
Optional/Semi-standard specifications	Metal bowl	Metal bowl with drain guide	Metal bowl with level gauge	Metal bowl with level gauge, with drain guide	With drain guide	Drain cock with barb fitting
Dimensions	 B	 Width across flats 17 1/4	 B	 Width across flats 17 1/4	 Width across flats 17 1/4	 Barb fitting applicable tubing: T0604

Model	Standard specifications																Optional specifications	
	P	A	B	C	D	E	G	J	M	N	Q	R	S	T	U	V	With auto drain	B
AFM20-A/AFD20-A	1/8, 1/4	40	87.6	9.8	20	—	40	20	30	27	22	5.4	8.4	40	2.3	28	104.9	
AFM30-A/AFD30-A	1/4, 3/8	53	115.1	14	26.7	30	50	26.7	41	35	23	6.5	13	53	2.3	30	156.8	
AFM40-A/AFD40-A	1/4, 3/8, 1/2	70	147.1	18	35.5	38.4	75	35.5	50	52	26	8.5	12.5	70	2.3	35	186.9	
AFM40-06-A/AFD40-06-A	3/4	75	149.1	20	35.5	38.4	75	35.5	50	52	25	8.5	12.5	70	2.3	34	188.9	

Model	Semi-standard specifications					
	With barb fitting	With drain guide	Metal bowl	Metal bowl with drain guide	Metal bowl with level gauge	Metal bowl with level gauge, with drain guide
AFM20-A/AFD20-A	—	91.4	87.4	93.9	—	—
AFM30-A/AFD30-A	123.6	121.9	117.6	122.1	137.6	142.1
AFM40-A/AFD40-A	155.6	153.9	149.6	154.1	169.6	174.1
AFM40-06-A/AFD40-06-A	157.6	155.9	151.6	156.1	171.6	176.1

AC
 AF+AR+AL
 AW+AL
 AF+AR
 AF+AFM+AR
 AW+AFM
 Attachment
 AF
 AFM / AFD
 AR
 AL
 AW

AFM20-A to AFM40-06-A Mist Separator AFD20-A to AFD40-06-A Micro Mist Separator Made to Order



Please contact SMC for detailed dimensions, specifications and lead times.

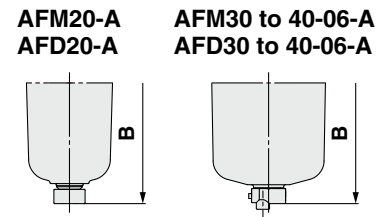
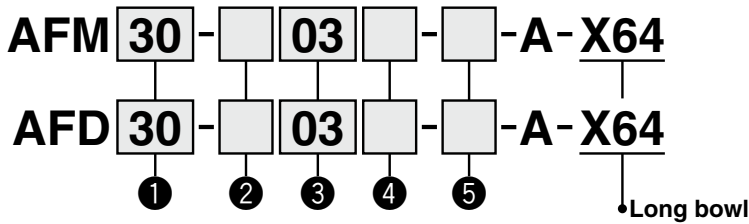
① Long Bowl

Drain capacity is greater than that of standard models.

Applicable Model/Drain Capacity

Model	AFM20-A, AFD20-A	AFM30-A, AFD30-A	AFM40-A, AFD40-A	AFM40-06-A, AFD40-06-A
Port size	1/8, 1/4	1/4, 3/8	1/4, 3/8, 1/2	3/4
Drain capacity [cm ³]	19	43		88
B dimension [mm] ^{*1}	108.6	137.1	167.2	169.2

*1 For polycarbonate bowls. Please contact SMC for other bowl materials.



- Semi-standard: Select one each for a to d.
- Option/Semi-standard symbol: When more than one specification is required, indicate in alphanumeric order.
Example) AFM30-03B-2R-A-X64

		Symbol	Description	① Body size			
				20	30	40	
②	Pipe thread type	Nil	Rc	●	●	●	
		N ^{*1}	NPT	●	●	●	
		F ^{*2}	G	●	●	●	
+							
③	Port size	01	1/8	●	—	—	
		02	1/4	●	●	●	
		03	3/8	—	●	●	
		04	1/2	—	—	●	
		06	3/4	—	—	●	
+							
④	Option (Mounting)	Nil	Without mounting option	●	●	●	
		B ^{*3}	With bracket	●	●	●	
+							
⑤	a	Bowl ^{*4}	Nil	Polycarbonate bowl	●	●	●
			2	Metal bowl	●	●	●
			6	Nylon bowl	●	●	●
			C	With bowl guard	●	— ^{*5}	— ^{*5}
			6C	With bowl guard (Nylon bowl)	●	— ^{*6}	— ^{*6}
	+						
	b	Drain port	Nil	With drain cock	●	●	●
			J ^{*7}	Drain guide 1/8	●	—	—
			W ^{*8}	Drain cock with barb fitting (for ø6 x ø4 nylon tube)	—	●	●
	+						
	c	Flow direction	Nil	Flow direction: Left to right	●	●	●
			R	Flow direction: Right to left	●	●	●
+							
d	Pressure unit	Nil	Name plate and caution plate for bowl in SI units: MPa	●	●	●	
		Z ^{*9}	Name plate and caution plate for bowl in imperial units: psi, °F	○ ^{*10}	○ ^{*10}	○ ^{*10}	

*1 Drain guide is NPT1/8 (applicable to the AFM20-A, AFD20-A) and NPT1/4 (applicable to the AFM30-A to AFM40-06-A, AFD30-A to AFD40-06-A).

*2 Drain guide is G1/8 (applicable to the AFM20-A, AFD20-A) and G1/4 (applicable to the AFM30-A to AFM40-06-A, AFD30-A to AFD40-06-A).

*3 A bracket is not assembled and supplied loose at the time of shipment. Including 2 mounting screws.

*4 Refer to chemical data on page 58 for chemical resistance of the bowl.

*5 A bowl guard is provided as standard equipment (polycarbonate).

*6 A bowl guard is provided as standard equipment (nylon).

*7 Without a valve function

*8 The combination of metal bowl: 2 is not available.

*9 For pipe thread type: NPT. This product is for overseas use only according to the new Measurement Act. (The SI unit type is provided for use in Japan.)

*10 ○: For pipe thread type: NPT only

AFM20-A to AFM40-06-A Mist Separator AFD20-A to AFD40-06-A Micro Mist Separator Made to Order



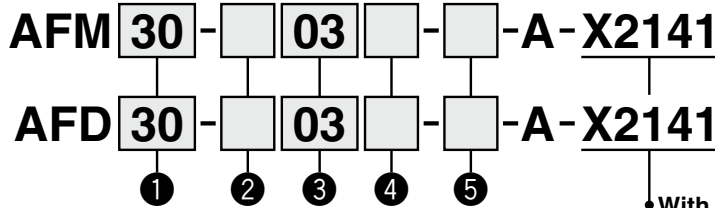
Please contact SMC for detailed dimensions, specifications and lead times.

② With Element Service Indicator

Clogging status of elements can be checked visually.

Applicable Model

Model	AFM20-A, AFD20-A	AFM30-A, AFD30-A	AFM40-A, AFD40-A	AFM40-06-A, AFD40-06-A
Port size	1/8, 1/4	1/4, 3/8	1/4, 3/8, 1/2	3/4



- Option/Semi-standard: Select one each for a to f.
- Option/Semi-standard symbol: When more than one specification is required, indicate in alphanumeric order.
Example) AFM30-03BD-2R-A-X2141

A special body type is required to mount the element service indicator. It cannot be mounted on a standard body.

		Symbol	Description	① Body size			
				20	30	40	
②	Pipe thread type	Nil	Rc	●	●	●	
		N*1	NPT	●	●	●	
		F*2	G	●	●	●	
+							
③	Port size	01	1/8	●	—	—	
		02	1/4	●	●	●	
		03	3/8	—	●	●	
		04	1/2	—	—	●	
		06	3/4	—	—	●	
+							
④	a	Mounting	Nil	Without mounting option	●	●	●
			B*3	With bracket	●	●	●
	+						
	b	Float type auto drain	Nil	Without auto drain	●	●	●
C*4			N.C. (Normally closed) Drain port is closed when pressure is not applied.	●	●	●	
D*5			N.O. (Normally open) Drain port is open when pressure is not applied.	—	●	●	
+							
⑤	c	Bowl*6	Nil	Polycarbonate bowl	●	●	●
			2	Metal bowl	●	●	●
			6	Nylon bowl	●	●	●
			8	Metal bowl with level gauge	—	●	●
			C	With bowl guard	●	—*7	—*7
			6C	With bowl guard (Nylon bowl)	●	—*8	—*8
	+						
	d	Drain port*12	Nil	With drain cock	●	●	●
			J*9	Drain guide 1/4	●	●	●
			W*13	Drain cock with barb fitting (for ø6 x ø4 nylon tube)	—	●	●
+							
e	Flow direction	Nil	Flow direction: Left to right	●	●	●	
		R	Flow direction: Right to left	●	●	●	
+							
f	Pressure unit	Nil	Name plate and caution plate for bowl in SI units: MPa	●	●	●	
		Z*10	Name plate and caution plate for bowl in imperial units: psi, °F	●	○*11	○*11	

*1 Drain guide is NPT1/8 (applicable to the AFM20-A, AFD20-A) and NPT1/4 (applicable to the AFM30-A/40-A, AFD30-A/40-A).

The auto drain port comes with ø3/8" One-touch fitting (applicable to the AFM30-A/40-A, AFD30-A/40-A).

*2 Drain guide is G1/8 (applicable to the AFM20-A, AFD20-A) and G1/4 (applicable to the AFM30-A/40-A, AFD30-A/40-A).

*3 A bracket is not assembled and supplied loose at the time of shipment. Including 2 mounting screws

*4 When pressure is not applied, condensate which does not start the auto drain mechanism will be left in the bowl. Releasing the residual condensate before ending operations for the day is recommended.

*5 If the compressor is small (0.75 kW, discharge flow is less than 100 L/min [ANR]), air leakage from the drain cock may occur during start of operations. N.C. type is recommended.

*6 Refer to chemical data on page 58 for chemical resistance of the bowl.

*7 A bowl guard is provided as standard equipment (polycarbonate).

*8 A bowl guard is provided as standard equipment (nylon).

*9 Without a valve function

*10 For pipe thread type: NPT. This product is for overseas use only according to the new Measurement Act. (The SI unit type is provided for use in Japan.)

*11 ○: For pipe thread type: NPT only

*12 The combination of float type auto drain: C and D is not available.

*13 The combination of metal bowl: 2 and 8 is not available.

AC
AF+AR+AL
AW+AL
AF+AR
AF+AFM+AR
AW+AFM
Attachment
AF
AFM / AFD
AR
AL
AW

AFM20-A to AFM40-06-A Mist Separator AFD20-A to AFD40-06-A Micro Mist Separator Made to Order

Please contact SMC for detailed dimensions, specifications and lead times.



③ Clean Series

For details, refer to the Clean Series/Low Particle Generation section of the **Web Catalog**.

10 - **Standard model no.**

* Please contact SMC if a product with pressure gauge is desired.

• Clean series


④ Copper, Fluorine and Silicone-free + Low Particle Generation

For details, refer to the Clean Series/Low Particle Generation section of the **Web Catalog**.

21 - **Standard model no.**

• Copper, fluorine and silicone-free + Low particle generation

Modular Type Regulator *AR Series*

Regulator AR Series	Model	Port size	Set pressure	Options
		AR10-A	M5 x 0.8	0.05 to 0.7 MPa 0.02 to 0.2 MPa
AR20(K)-B		1/8, 1/4	0.05 to 0.85 MPa 0.02 to 0.2 MPa	Bracket
AR25(K)-B		1/4, 3/8		Set nut (for panel mount) *1
AR30(K)-B				Square embedded type pressure gauge
AR40(K)-B		1/4, 3/8, 1/2		Digital pressure switch
AR40(K)-06-B		3/4		Round type pressure gauge
AR50(K)-B		3/4, 1		Bracket Square embedded type pressure gauge
AR60(K)-B		1		Digital pressure switch
	Round type pressure gauge			

Pages 65 to 80

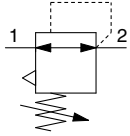
*1 Interchangeable with the previous AR series and panel mounting dimensions.

Made to Order

①	Special Temperature Environment (-X430/-X440) Special materials are used in the manufacturing of seals and resin parts to allow them to withstand various temperature conditions in cold or tropical (hot) climates.	P.77 to 80
②	High Pressure (-X425) Strong materials are used in the manufacturing of air filters intended for high pressure operation.	
③	0.4 MPa Setting (-X406) The maximum set pressure is 0.4 MPa. When a pressure gauge is included, the display will show a range from 0 to 0.7 MPa.	
④	Clean Series (10-)	
⑤	Copper, Fluorine and Silicone-free + Low Particle Generation (21-)	

Regulator AR10-A

Symbol
Regulator



AR10-A

How to Order

Refer to page 67 for size 20 to 60.

AR10-M5 - -A

- Option/Semi-standard: Select one each for **a** to **g**.
- Option/Semi-standard symbol: When more than one specification is required, indicate in alphanumeric order.
Example) AR10-M5BG-1NR-A

		Symbol	Description		
1	Option #1	a	Mounting	Nil	Without mounting option
				B*2	With bracket
				H	With set nut (for panel mount)
	+				
	b	Pressure gauge	Nil	Without pressure gauge	
			G*3	Round type pressure gauge (without limit indicator)	
+					
2	Semi-standard	c	Set pressure *4	Nil	0.05 to 0.7 MPa setting
				1	0.02 to 0.2 MPa setting
		+			
		d	Exhaust mechanism	Nil	Relieving type
				N	Non-relieving type
		+			
	e	Flow direction	Nil	Flow direction: Left to right	
			R	Flow direction: Right to left	
	+				
	f	Knob	Nil	Downward	
			Y	Upward	
	+				
g	Pressure unit	Nil	Name plate and pressure gauge in SI units: MPa		
		Z*5	Name plate and pressure gauge in imperial units: psi		

*1 Options are not assembled and supplied loose at the time of shipment.

*2 Assembly of a bracket and set nuts

*3 A 1.0 MPa pressure gauge will be fitted. It is not assembled and supplied loose at the time of shipment.

*4 Pressure can be set higher than the specification pressure in some cases, but use pressure within the specification range.

*5 This product is for overseas use only according to the new Measurement Act. (The SI unit type is provided for use in Japan.)

Standard Specifications

Port size	M5 x 0.8
Pressure gauge port size *1	1/16
Fluid	Air
Ambient and fluid temperature	-5 to 60°C (with no freezing)
Proof pressure	1.5 MPa
Maximum operating pressure	1.0 MPa
Set pressure range	0.05 to 0.7 MPa
Construction	Relieving type
Weight [kg]	0.06

*1 Use a bushing (part no.: 131368) when connecting the R1/8 pressure gauge to the Rc1/16.

Options/Part No.

Bracket assembly *1	AR12P-270AS
Set nut	AR12P-260S
Round type pressure gauge *2	G27-10-R1

*1 Assembly of a bracket and set nuts

*2 1.0 MPa pressure gauge

⚠ Specific Product Precautions

Be sure to read this before handling the products. Refer to the back cover for safety instructions. For F.R.L. units precautions, refer to the "Handling Precautions for SMC Products" and the "Operation Manual", <https://www.smcworld.com>

Selection

⚠ Warning

- Although exhaust of the residual pressure to the inlet side is possible when eliminating the inlet pressure, exhaust is not possible when the set pressure is 0.15 MPa or less.

⚠ Caution

- When operating at an inlet pressure lower than the inlet pressure used in the flow rate characteristics graph, the pressure drop on the outlet side may be greater. Therefore, be sure to conduct testing using the actual equipment.
For pressure control equipment selection, refer to the "Product Selection Guide."

Maintenance

⚠ Warning

- When using the regulator between a solenoid valve and an actuator, check the pressure gauge periodically. Sudden pressure fluctuations may shorten the durability of the pressure gauge. A digital pressure gauge is recommended for such situation or as deemed necessary.

Mounting/Adjustment

⚠ Warning

- Set the regulator while verifying the displayed values of the inlet and outlet pressure gauges. Turning the regulator knob excessively can cause damage to the internal parts.
- Do not use tools on the pressure regulator knob as this may cause damage. It must be operated manually.

⚠ Caution

- Be sure to unlock the knob before adjusting the pressure and lock it after setting the pressure. Failure to follow this procedure can cause damage to the knob and the outlet pressure may fluctuate.
 - Pull the pressure regulator knob to unlock. (You can visually verify this with the "orange mark" that appears in the gap.)
 - Push the pressure regulator knob to lock. When the knob is not easily locked, turn it left and right a little and then push it (when the knob is locked, the "orange mark", i.e., the gap will disappear).
- Pulsation will be generated when the difference between the inlet and the outlet pressure is large. In this case, reduce the pressure difference between the inlet and the outlet. Please consult with SMC if the pulsation problem is not resolved.

	AC
	AF+AR+AL
	AW+AL
	AF+AR
	AF+AFM+AR
	AW+AFM
	Attachment
	AF
	AFM / AFD
	AR
	AL
	AW

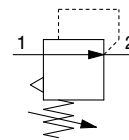
Regulator

AR20-B to AR60-B

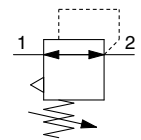
Regulator with Backflow Function

AR20K-B to AR60K-B

Symbol
Regulator



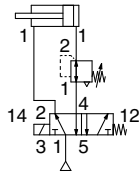
Regulator with
Backflow Function



- Models with the backflow function include a mechanism which allows for the air pressure in the outlet side to be released to the inlet side.

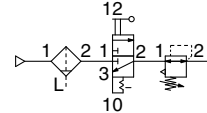
Example 1)

When the pressure in the rear and the front of the cylinder differs:



Example 2)

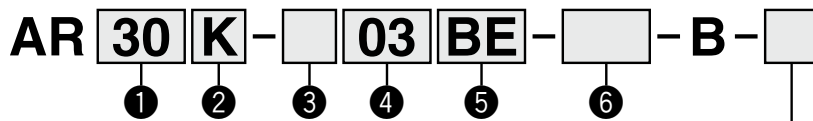
When the air supply is cut off and releasing the inlet pressure to the atmosphere, the residual pressure release of the outlet side can be ensured.



The AR-B/AR□K-B is to be discontinued as of March 2025. Select the AR-D/AR□K-D as a substitute. [Click here for details.](#)

How to Order

Refer to page 65 for size 10.

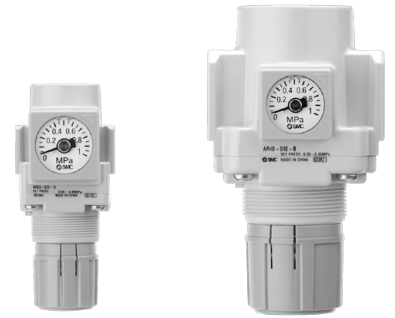


- Option/Semi-standard: Select one each for a to g.
- Option/Semi-standard symbol: When more than one specification is required, indicate in alphanumeric order. Example) AR30K-03BE-1NR-B

• **Made to order**
(Refer to pages 77 to 79 for details.)

	Symbol	Description	①							
			Body size							
			20	25	30	40	50	60		
② With backflow function	Nil	Without backflow function	●	●	●	●	●	●		
	K*1	With backflow function	●	●	●	●	●	●		
+										
③ Pipe thread type	Nil	Rc	●	●	●	●	●	●		
	N	NPT	●	●	●	●	●	●		
	F	G	●	●	●	●	●	●		
+										
④ Port size	01	1/8	●	—	—	—	—	—		
	02	1/4	●	●	●	●	—	—		
	03	3/8	—	●	●	●	—	—		
	04	1/2	—	—	●	●	—	—		
	06	3/4	—	—	—	●	●	—		
	10	1	—	—	—	—	●	●		
+										
⑤ Option *2	a Mounting	Nil	Without mounting option	●	●	●	●	●	●	
		B*3	With bracket	●	●	●	●	●	●	
		H	With set nut (for panel mount)	●	●	●	●	—	—	
	+									
	b Pressure gauge *4	Nil	Without pressure gauge	●	●	●	●	●	●	
		E	Square embedded type pressure gauge (with limit indicator)	●	●	●	●	●	●	
		G	Round type pressure gauge (with limit indicator)	●	●	●	●	●	●	
		M	Round type pressure gauge (with color zone)	●	●	●	●	●	●	
		Digital pressure switch *5	E1	Output: NPN output, Electrical entry: Wiring bottom entry	●	●	●	●	●	●
			E2	Output: NPN output, Electrical entry: Wiring top entry	●	●	●	●	●	●
	E3		Output: PNP output, Electrical entry: Wiring bottom entry	●	●	●	●	●	●	
	E4		Output: PNP output, Electrical entry: Wiring top entry	●	●	●	●	●	●	

Regulator **AR20-B to AR60-B Series** Regulator with Backflow Function **AR20K-B to AR60K-B Series**



AR20-B, AR20K-B AR40-B, AR40K-B

AC
AF+AR+AL
AW+AL
AF+AR
AF+AFM+AR
AW+AFM
Attachment
AF
AFM / AFD
AR
AL
AW

	Symbol	Description	①									
			Body size									
			20	25	30	40	50	60				
⑥ Semi-standard	c	Set pressure *6	Nil	0.05 to 0.85 MPa setting		●	●	●	●	●	●	
			1	0.02 to 0.2 MPa setting		●	●	●	●	●	●	
	+											
	d	Exhaust mechanism	Relieving type	Nil	●	●	●	●	●	●		
			Non-relieving type	N	●	●	●	●	●	●		
	+											
	e	Flow direction	Flow direction: Left to right	Nil	●	●	●	●	●	●		
			Flow direction: Right to left	R	●	●	●	●	●	●		
	+											
	f	Knob	Downward	Nil	●	●	●	●	●	●		
			Upward	Y	●	●	●	●	●	●		
	+											
g	Pressure unit	Name plate and pressure gauge in SI units: MPa	Nil	●	●	●	●	●	●			
		Name plate and pressure gauge in imperial units: psi	Z*7	○*9	○*9	○*9	○*9	○*9	○*9			
		Digital pressure switch: With unit selection function	ZA*8	△*10	△*10	△*10	△*10	△*10	△*10			

- *1 Set the inlet pressure to at least 0.05 MPa higher than the set pressure.
- *2 Options B, G, H, M are not assembled and supplied loose at the time of shipment.
- *3 Assembly of a bracket and set nuts (applicable to the AR20(K)-B to AR40(K)-B). Including 2 mounting screws for the AR50(K)-B and AR60(K)-B.
- *4 When the pressure gauge is attached, a 1.0 MPa pressure gauge will be fitted for standard (0.85 MPa) type. 0.4 MPa pressure gauge for 0.2 MPa type.
- *5 When choosing with H (panel mount), the installation space for lead wires will not be secured. In this case, select "wiring top entry" for the electrical entry. (Select "wiring bottom entry" when the semi-standard Y is chosen simultaneously.)
- *6 Pressure can be set higher than the specification pressure in some cases, but use pressure within the specification range.
- *7 For pipe thread type: NPT.
This product is for overseas use only according to the new Measurement Act. (The SI unit type is provided for use in Japan.)
Cannot be used with M: Round type pressure gauge (with color zone). Available by request for special.
The digital pressure switch will be equipped with the unit selection function, setting to psi initially.
- *8 For options: E1, E2, E3, E4. This product is for overseas use only according to the new Measurement Act. (The SI unit is provided for use in Japan.)
- *9 ○: For pipe thread type: NPT only
- *10 △: Select with options: E1, E2, E3, E4.

Standard Specifications

Model	AR20-B	AR25-B	AR30-B	AR40-B	AR40-06-B	AR50-B	AR60-B
Port size	1/8, 1/4	1/4, 3/8	1/4, 3/8	1/4, 3/8, 1/2	3/4	3/4, 1	1
Pressure gauge port size *1	1/8						
Fluid	Air						
Ambient and fluid temperature *2	-5 to 60°C (with no freezing)						
Proof pressure	1.5 MPa						
Maximum operating pressure	1.0 MPa						
Set pressure range	0.05 to 0.85 MPa						
Construction	Relieving type						
Weight [kg]	0.16	0.21	0.29	0.44	0.47	1.17	1.22

*1 Pressure gauge connection threads are not available for F.R.L. unit with a square embedded type pressure gauge or with a digital pressure switch.
*2 -5 to 50°C for the products with the digital pressure switch

AR20-B to AR60-B Series

AR20K-B to AR60K-B Series

Options/Part No.

Option		Model	AR20(K)-B	AR25(K)-B	AR30(K)-B	AR40(K)-B	AR40(K)-06-B	AR50(K)-B	AR60(K)-B
Bracket assembly *1			AR23P-270AS	AR28P-270AS	AR33P-270AS	AR43P-270AS		AR52P-270AS	
Set nut			AR23P-260S	AR28P-260S	AR33P-260S	AR43P-260S		—*2	
Pressure gauge	Round type *3	Standard	G36-10-□01			G46-10-□01			
		0.02 to 0.2 MPa setting	G36-4-□01			G46-4-□01			
	Round type *3 (with color zone)	Standard	G36-10-□01-L			G46-10-□01-L			
		0.02 to 0.2 MPa setting	G36-4-□01-L			G46-4-□01-L			
Square *4 embedded type	Standard		GC3-10AS [GC3P-010AS (Pressure gauge cover only)]						
	0.02 to 0.2 MPa setting		GC3-4AS [GC3P-010AS (Pressure gauge cover only)]						
Digital pressure switch *5	NPN output, Wiring bottom entry		ISE35-N-25-MLA [ISE35-N-25-M (Switch body only)]						
	NPN output, Wiring top entry		ISE35-R-25-MLA [ISE35-R-25-M (Switch body only)]						
	PNP output, Wiring bottom entry		ISE35-N-65-MLA [ISE35-N-65-M (Switch body only)]						
	PNP output, Wiring top entry		ISE35-R-65-MLA [ISE35-R-65-M (Switch body only)]						

*1 Assembly of a bracket and set nuts. Including 2 mounting screws for the AR50(K)-B and AR60(K)-B

*2 Please consult with SMC regarding the set nuts for the AR50(K)-B and AR60(K)-B.

*3 □ in part numbers for a round pressure gauge indicates a pipe thread type. No indication is necessary for R; however, indicate N for NPT. Please contact SMC regarding the pressure gauge supply for psi unit specifications.

*4 Including one O-ring and 2 mounting screws. []: Pressure gauge cover only

*5 In addition to the pressure switch body, lead wire with connector (2 m), adapter, lock pin, O-ring (1 pc.), mounting screw (2 pcs.) are attached. []: Switch body only. (Regarding how to order the digital pressure switch, refer to the **Web Catalog**.)

⚠ Specific Product Precautions

Be sure to read this before handling the products. Refer to the back cover for safety instructions. For F.R.L. units precautions, refer to the “Handling Precautions for SMC Products” and the “Operation Manual”, <https://www.smcworld.com>

Selection

⚠ Warning

- Residual pressure disposal (outlet pressure removal) is not possible for the AR20-B to AR60-B even though the inlet pressure is exhausted. When the residual pressure disposal is performed, use the regulator with a backflow function (AR20K-B to AR60K-B).

⚠ Caution

- When operating at an inlet pressure lower than the inlet pressure used in the flow rate characteristics graph, the pressure drop on the outlet side may be greater. Therefore, be sure to conduct testing using the actual equipment. For pressure control equipment selection, refer to the “Product Selection Guide.”

Maintenance

⚠ Warning

- When using the regulator with backflow function between a solenoid valve and an actuator, check the pressure gauge periodically. Sudden pressure fluctuations may shorten the durability of the pressure gauge. A digital pressure gauge is recommended for such situation or as deemed necessary.

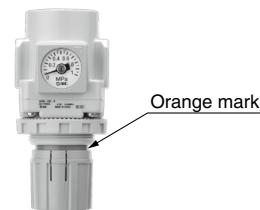
Mounting/Adjustment

⚠ Warning

- Set the regulator while verifying the displayed values of the inlet and outlet pressure gauges. Turning the regulator knob excessively can cause damage to the internal parts.
- Do not use tools on the pressure regulator knob as this may cause damage. It must be operated manually.

⚠ Caution

- Be sure to unlock the knob before adjusting the pressure and lock it after setting the pressure. Failure to follow this procedure can cause damage to the knob and the outlet pressure may fluctuate.
 - Pull the pressure regulator knob to unlock. (You can visually verify this with the “orange mark” that appears in the gap.)
 - Push the pressure regulator knob to lock. When the knob is not easily locked, turn it left and right a little and then push it (when the knob is locked, the “orange mark”, i.e., the gap will disappear).

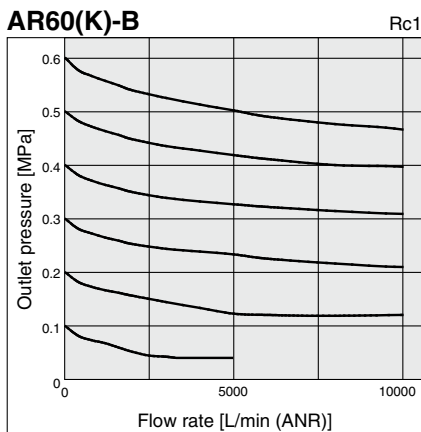
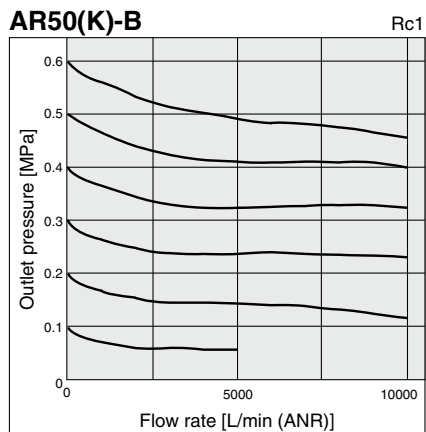
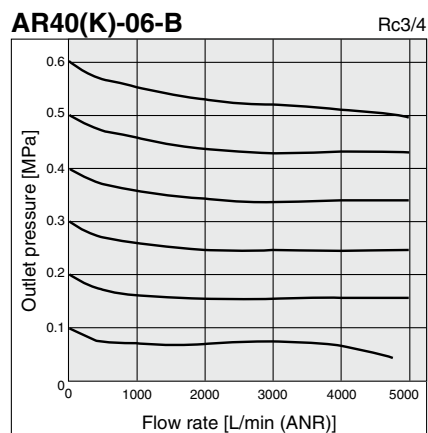
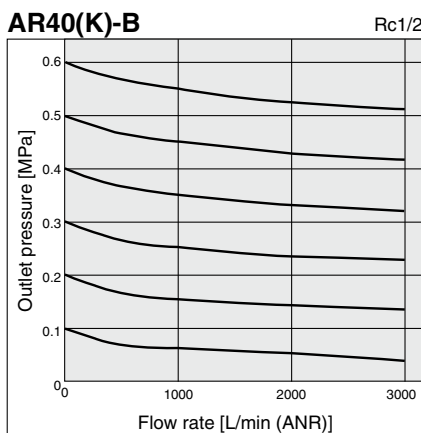
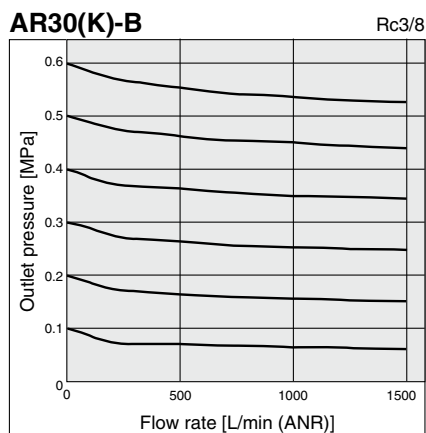
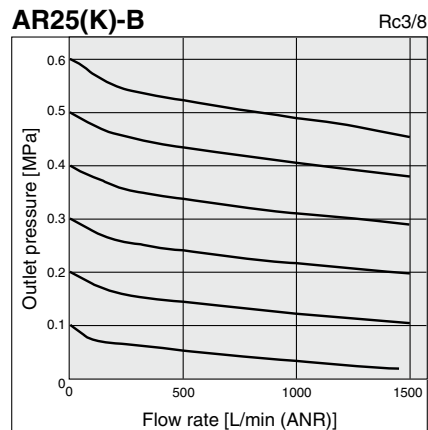
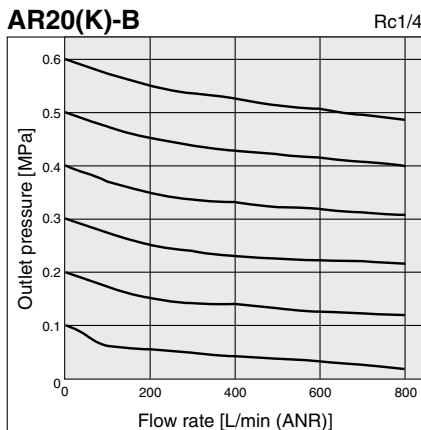
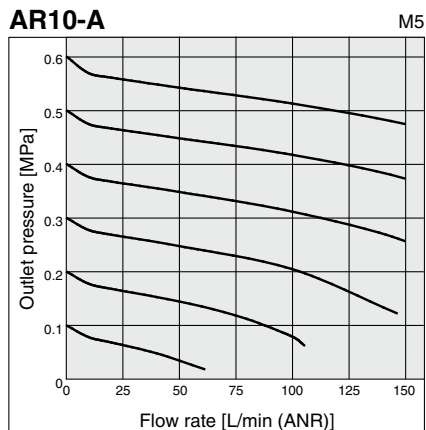


- A knob cover is available to prevent careless operation of the knob. Refer to page 112 for details.

Regulator **AR10-A Series**
 Regulator **AR20-B to AR60-B Series**
 Regulator with Backflow Function **AR20K-B to AR60K-B Series**

Flow Rate Characteristics (Representative values)

Condition: Inlet pressure of 0.7 MPa



- AC
- AF+AR+AL
- AW+AL
- AF+AR
- AF+AFM+AR
- AW+AFM
- Attachment
- AF
- AFM / AFD
- AR
- AL
- AW

AR10-A Series

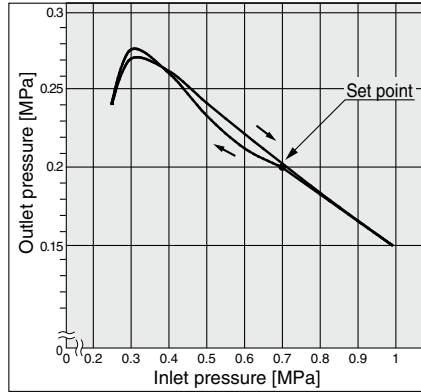
AR20-B to AR60-B Series

AR20K-B to AR60K-B Series

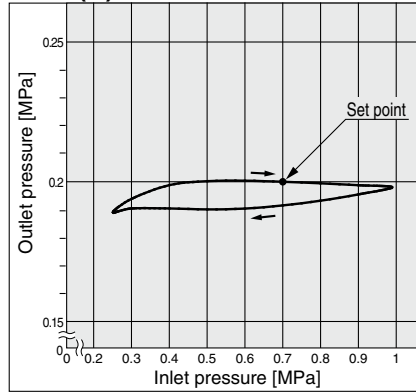
Pressure Characteristics (Representative values)

Conditions: Inlet pressure of 0.7 MPa, Outlet pressure of 0.2 MPa, Flow rate 20 L/min (ANR)

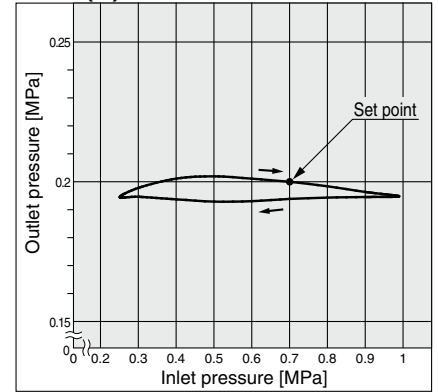
AR10-A



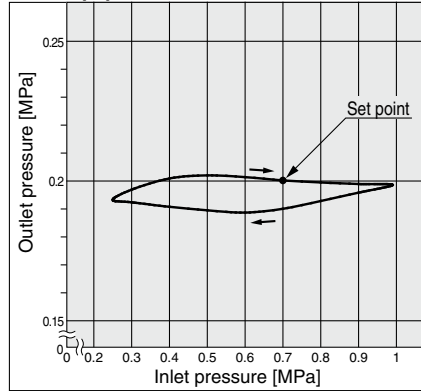
AR20(K)-B



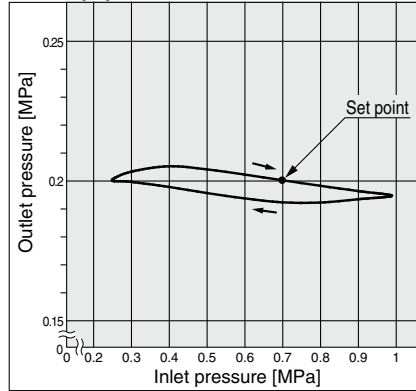
AR25(K)-B



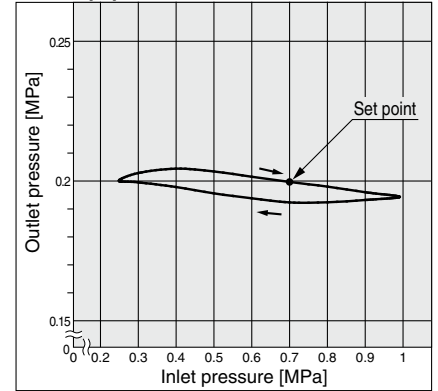
AR30(K)-B



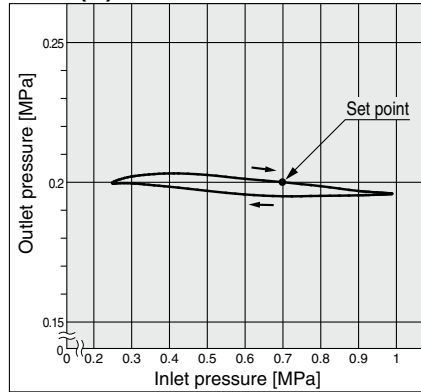
AR40(K)-B



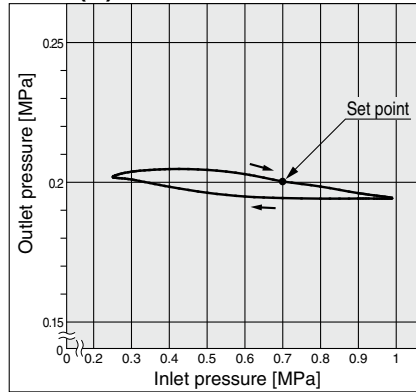
AR40(K)-06-B



AR50(K)-B



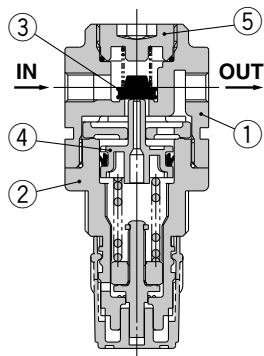
AR60(K)-B



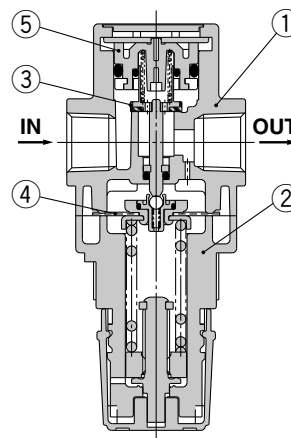
Regulator **AR10-A Series**
 Regulator **AR20-B to AR60-B Series**
 Regulator with Backflow Function **AR20K-B to AR60K-B Series**

Construction

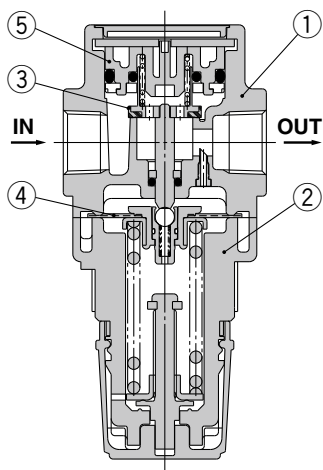
AR10-A



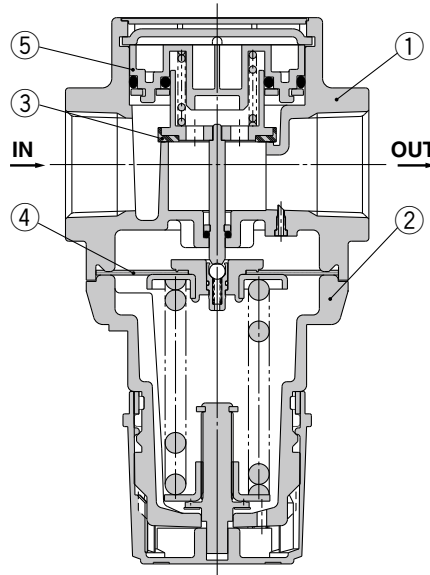
AR20(K)-B/AR25(K)-B



AR30(K)-B/AR40(K)-B



AR50(K)-B/AR60(K)-B



Component Parts

No.	Description	Material	Model	Color
1	Body	Zinc die-cast	AR10-A	White
		Aluminum die-cast	AR20(K)-B to AR60(K)-B	
2	Bonnet	Polyacetal	AR10-A	White
			AR20(K)-B to AR40(K)-B	
		Aluminum die-cast	AR50(K)-B/AR60(K)-B	

Replacement Parts

[AR10-A]

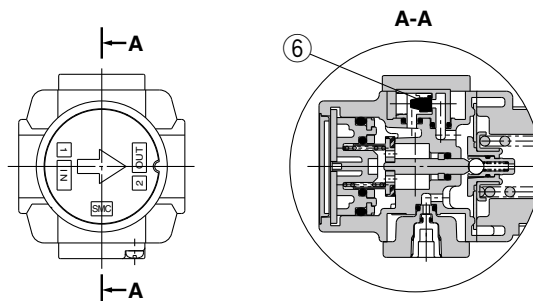
No.	Description	Material	Part no.
3	Valve	HNBR	AR10P-090S
4	Piston assembly	Polyacetal	AR10P-150AS
5	Valve guide assembly	Polyacetal	131329

[AR20(K)-B to AR60(K)-B]

No.	Description	Material	Part no.					
			AR20(K)-B	AR25(K)-B	AR30(K)-B	AR40(K)-B	AR40(K)-06-B	AR50(K)-B
3	Valve	Brass, HNBR	AR20P-410S	AR25P-410S	AR30P-410S	AR40P-410S	AR50P-410S	AR60P-410S
4	Diaphragm assembly	Weatherable NBR	AR20P-150AS	AR25P-150AS	AR30P-150AS	AR40P-150AS	AR50P-150AS	
5	Valve guide assembly	Polyacetal	AR20P-050AS	AR25P-050AS	AR30P-050AS	AR40P-050AS	AR50P-050AS	AR60P-050AS
6	Check valve assembly *1	—	AR23KP-020AS					

*1 Check valve assembly is applicable for a regulator with backflow function (AR20K-B to AR60K-B) only.
 Assembly of a check valve cover, check valve body assembly and 2 mounting screws

**AR20K-B to AR60K-B
 (Regulator with Backflow Function)**



AC
AF+AR+AL
AW+AL
AF+AR
AF+AFM+AR
AW+AFM
Attachment
AF
AFM / AFD
AR
AL
AW

AR10-A Series

AR20K-B to AR60K-B Series

Working Principle (Regulator with Backflow Function)

AR10-A

When the inlet pressure is higher than the regulating pressure, the check valve operates as a normal regulator (Figure 1).

When the inlet pressure is shut off and exhausted, any inlet pressure applied to the valve ① will be lost. The force for seating the valve ① is the valve spring force ② only. When the valve ① is opened using the outlet force, the outlet pressure will be exhausted at the inlet side (Figure 2). When the set pressure is 0.15 MPa or less, the valve ① may not open due to the valve spring ② force.

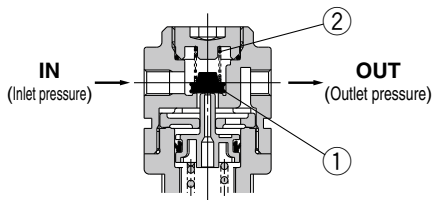


Figure 1

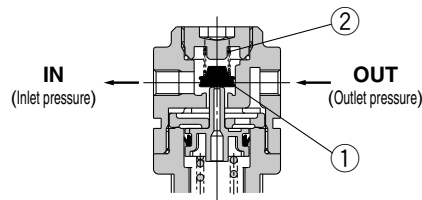


Figure 2

AR20K-B to AR60K-B

When the inlet pressure is higher than the regulating pressure, the check valve ② closes and operates as a normal regulator (Figure 1).

When the inlet pressure is shut off and released, the check valve ② opens and the pressure in the diaphragm chamber ① is released into the inlet side (Figure 2). This lowers the pressure in the diaphragm chamber ① and the force generated by the spring ③ lifts the diaphragm. The valve ④ opens through the stem, and the outlet pressure is released to the inlet side (Figure 2).

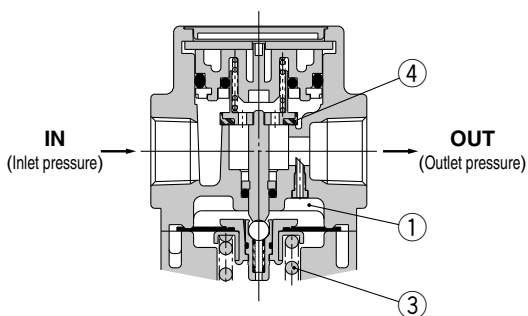
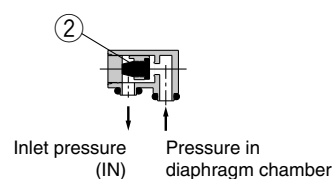
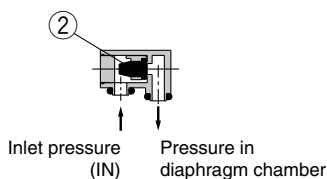
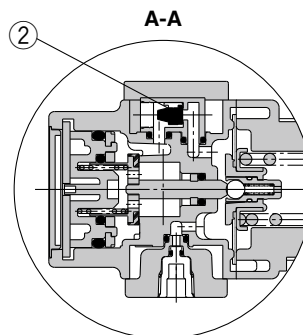
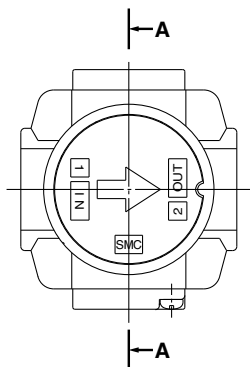


Figure 1 Normal

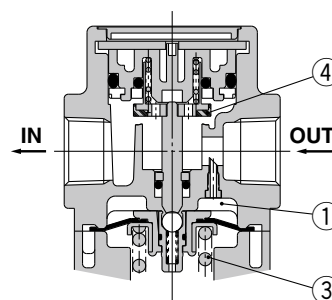


Figure 2 Backflow

AC

AF+AR+AL

AW+AL

AF+AR

AF+AFM+AR

AW+AFM

Attachment

AF

AFM / AFD

AR

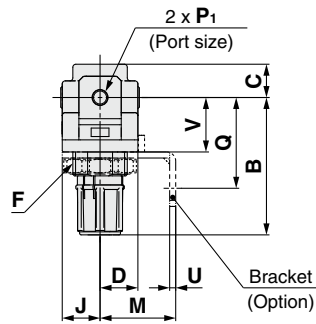
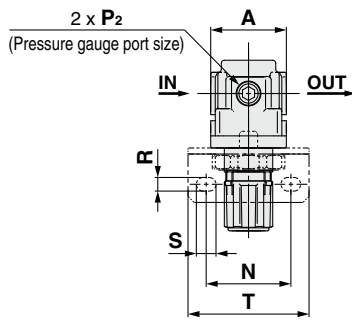
AL

AW

AR10-A Series AR20-B to AR60-B Series AR20K-B to AR60K-B Series

Dimensions

AR10-A



Panel mounting dimensions

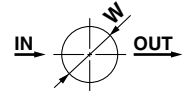
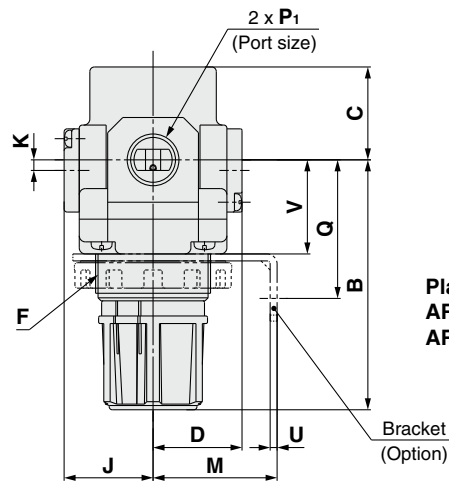
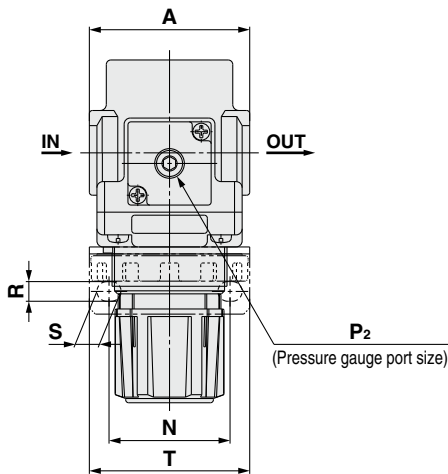


Plate thickness
AR10-A: Max. 3.5

AR20(K)-B to AR40(K)-06-B



Panel mounting dimensions

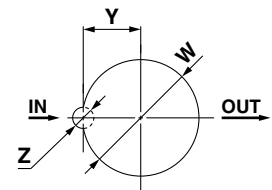
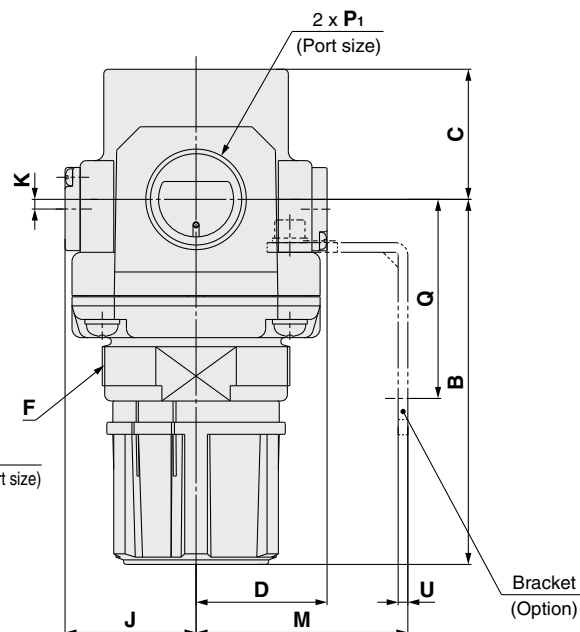
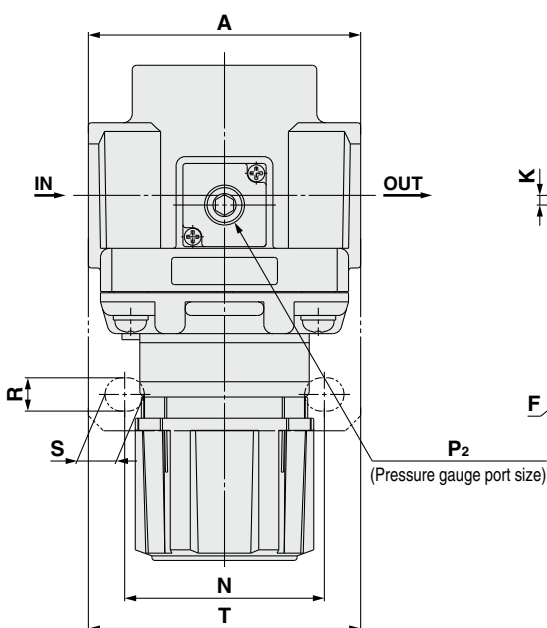
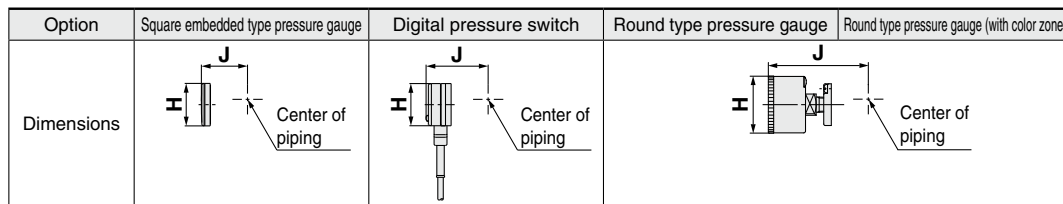


Plate thickness
AR20(K)-B to AR30(K)-B: Max. 3.5
AR40(K)-B : Max. 5

AR50(K)-B/AR60(K)-B



Regulator **AR10-A Series**
 Regulator **AR20-B to AR60-B Series**
 Regulator with Backflow Function **AR20K-B to AR60K-B Series**



Model	Standard specifications										Optional specifications							
	P ₁	P ₂	A	B* ¹	C	D	F	J	K		Square embedded type pressure gauge	Digital pressure switch	Round type pressure gauge		Round type pressure gauge (with color zone)			
AR10-A	M5 x 0.8	1/16	25	47.4	11	12.5	M18 x 1	12.5	—	—	—	—	—	—	—	—		
AR20(K)-B	1/8, 1/4	1/8	40	67.4	26.5	28.5	M28 x 1	28.5	2* ²	□28	29.5	□27.8	40	∅37.5	65	∅37.5	66	
AR25(K)-B	1/4, 3/8	1/8	53	71.9	28	27.5	M32 x 1.5	27.5	0	□28	28.5	□27.8	39	∅37.5	64	∅37.5	65	
AR30(K)-B	1/4, 3/8	1/8	53	85.6	30.7	29.4	M38 x 1.5	29.4	3.5	□28	30.4	□27.8	40.9	∅37.5	65.9	∅37.5	66.9	
AR40(K)-B	1/4, 3/8, 1/2	1/8	70	91.7	35.8	33.8	M42 x 1.5	33.8	3.5	□28	34.8	□27.8	45.3	∅42.5	71.3	∅42.5	71.3	
AR40(K)-06-B	3/4	1/8	75	93.2	35.8	33.8	M42 x 1.5	33.8	3	□28	34.8	□27.8	45.3	∅42.5	71.3	∅42.5	71.3	
AR50(K)-B	3/4, 1	1/8	90	125.2	43	43.3	M62 x 1.5	43.3	3.2	□28	44.3	□27.8	54.8	∅42.5	80.8	∅42.5	80.8	
AR60(K)-B	1	1/8	95	129.6	46	43.3	M62 x 1.5	43.3	3.2	□28	44.3	□27.8	54.8	∅42.5	80.8	∅42.5	80.8	

Model	Optional specifications											
	Bracket mount							Panel mount				
	M	N	Q	R	S	T	U	V	W	Y	Z	
AR10-A	25	28	30	4.5	6.5	40	2	18	18.5	—	—	
AR20(K)-B	30	34	43.9	5.4	15.4	55	2.3	24.7	28.5	14	6	
AR25(K)-B	30	34	43.9	5.4	15.4	55	2.3	25.7	32.5	16	6	
AR30(K)-B	41	40	45.8	6.5	8	53	2.3	31.1	38.5	19	7	
AR40(K)-B	50	54	54	8.5	10.5	70	2.3	35.5	42.5	21	7	
AR40(K)-06-B	50	54	55.5	8.5	10.5	70	2.3	37	42.5	21	7	
AR50(K)-B	70	66	65.8	11	13	90	3.2	—	—	—	—	
AR60(K)-B	70	66	65.8	11	13	90	3.2	—	—	—	—	

*1 The dimension of B is the length when the filter regulator knob is unlocked.
 *2 For the AR20(K)-B only, the position of the pressure gauge is above the center of the piping.

AC
 AF+AR+AL
 AW+AL
 AF+AR
 AF+AFM+AR
 AW+AFM
 Attachment
 AF
 AFM / AFD
 AR
 AL
 AW

AR20-B to AR60-B Regulator Made to Order

Please contact SMC for detailed dimensions, specifications and lead times.



AR30-03-B-X430/440/425

① Special Temperature Environment

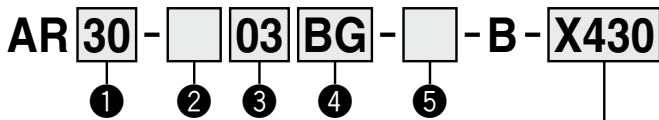
Special materials are used in the manufacturing of seals and resin parts to allow them to withstand various temperature conditions in cold or tropical (hot) climates.

Specifications

Made-to-order part no.	-X430	-X440
Environment	Low temperature	High temperature
Ambient temperature [°C]	-30 to 60	-5 to 80
Fluid temperature [°C]	-5 to 60 (with no freezing)	
Material	Rubber parts	Special NBR
	Main parts	FKM
	Metal (Aluminum die-cast, etc.)	

Applicable Model

Model	AR25-B	AR30-B	AR40-B	AR40-06-B	AR50-B	AR60-B
Port size	1/4, 3/8	1/4, 3/8	1/4, 3/8, 1/2	3/4	3/4, 1	1



- Option/Semi-standard: Select one each for a to g.
 - Option/Semi-standard symbol: When more than one specification is required, indicate in alphanumeric order.
- Example) AR30-03BG-1NR-B-X430

For high/low temperature

X430	Low temperature
X440	High temperature

	Symbol	Description	① Body size					
			25	30	40	50	60	
② Pipe thread type	Nil	Rc	●	●	●	●	●	
	N	NPT	●	●	●	●	●	
	F	G	●	●	●	●	●	
+								
③ Port size	02	1/4	●	●	●	—	—	
	03	3/8	●	●	●	—	—	
	04	1/2	—	—	●	—	—	
	06	3/4	—	—	●	●	—	
10	1	—	—	—	●	●		
+								
④ Option #1	a Mounting	Nil	Without mounting option	●	●	●	●	●
		B*2	With bracket	●	●	●	●	●
		H	With set nut (for panel mount)	●	●	●	—	—
+								
b Pressure gauge	G*3	Round type pressure gauge (without limit indicator)	●	●	●	●	●	
+								
⑤ Semi-standard	c Set pressure	Nil	0.05 to 0.85 MPa setting	●	●	●	●	●
		1*4	0.02 to 0.2 MPa setting	●	●	●	●	●
+								
d Exhaust mechanism	Nil	Relieving type	●	●	●	●	●	
	N	Non-relieving type	●	●	●	●	●	
+								
e Flow direction	Nil	Flow direction: Left to right	●	●	●	●	●	
	R	Flow direction: Right to left	●	●	●	●	●	
+								
f Knob	Nil	Downward	●	●	●	●	●	
	Y	Upward	●	●	●	●	●	
+								
g Pressure unit	Nil	Name plate and pressure gauge in SI units: MPa	●	●	●	●	●	
	Z*5	Name plate and pressure gauge in imperial units: psi	○*6	○*6	○*6	○*6	○*6	

- *1 Options B, G, H are not assembled and supplied loose at the time of shipment.
- *2 Assembly of a bracket and set nuts (AR25-B to AR40-B) Including 2 mounting screws for the AR50-B and AR60-B
- *3 Mounting thread for pressure gauge: 1/8, Pressure gauge type: G43
- *4 The only difference from the standard specifications is the spring for the regulator. It does not restrict the setting of 0.2 MPa or more. When the pressure gauge is attached, a 0.4 MPa pressure gauge will be fitted.
- *5 For pipe thread type: NPT. This product is for overseas use only according to the new Measurement Act. (The SI unit type is provided for use in Japan.)
- *6 ○: For pipe thread type: NPT only

② High Pressure

Stronger materials are used for the manufacturing of regulators intended for high-pressure operation.

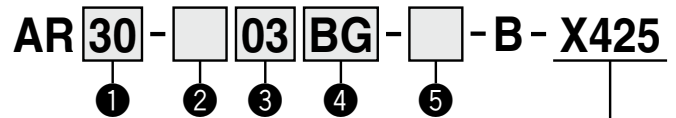
The modified construction also allows for a wider set pressure range.

Specifications

Made-to-order part no.	-X425
Proof pressure [MPa]	3.0
Maximum operating pressure [MPa]	2.0
Set pressure range [MPa]	0.1 to 1.7
Ambient and fluid temperature [°C]	-5 to 60 (with no freezing)

Applicable Model

Model	AR20-B	AR25-B	AR30-B	AR40-B	AR40-06-B	AR50-B	AR60-B
Port size	1/8, 1/4	1/4, 3/8	1/4, 3/8	1/4, 3/8, 1/2	3/4	3/4, 1	1



- Option/Semi-standard: Select one each for a to f.
 - Option/Semi-standard symbol: When more than one specification is required, indicate in alphabetic order.
- Example) AR30-03BG-NR-B-X425

	Symbol	Description	① Body size						
			20	25	30	40	50	60	
② Pipe thread type	Nil	Rc	●	●	●	●	●	●	
	N	NPT	●	●	●	●	●	●	
	F	G	●	●	●	●	●	●	
+									
③ Port size	01	1/8	●	—	—	—	—	—	
	02	1/4	●	●	●	—	—	—	
	03	3/8	—	●	●	—	—	—	
	04	1/2	—	—	●	—	—	—	
	06	3/4	—	—	—	●	●	—	
10	1	—	—	—	—	●	●		
+									
④ Option #1	a Mounting	Nil	Without mounting option	●	●	●	●	●	●
		B*2	With bracket	●	●	●	●	●	●
		H	With set nut (for panel mount)	●	●	●	—	—	—
+									
b Pressure gauge	G*3	Round type pressure switch (with limit indicator)	●	●	●	●	●	●	
+									
⑤ Semi-standard	c Exhaust mechanism	Nil	Relieving type	●	●	●	●	●	●
		N	Non-relieving type	●	●	●	●	●	●
+									
d Flow direction	Nil	Flow direction: Left to right	●	●	●	●	●	●	
	R	Flow direction: Right to left	●	●	●	●	●	●	
+									
e Knob	Nil	Downward	●	●	●	●	●	●	
	Y	Upward	●	●	●	●	●	●	
+									
f Pressure unit	Nil	Name plate and pressure gauge in SI units: MPa	●	●	●	●	●	●	
	Z*4	Name plate and pressure gauge in imperial units: psi	○*5	○*5	○*5	○*5	○*5	○*5	

- *1 Options B, G, H are not assembled and supplied loose at the time of shipment.
- *2 Assembly of a bracket and set nuts (AR20-B to AR40-B) Including 2 mounting screws for the AR50-B and AR60-B
- *3 Mounting thread for pressure gauge: 1/8, Pressure gauge type: G46-20-□
- *4 For pipe thread type: NPT. This product is for overseas use only according to the new Measurement Act. (The SI unit type is provided for use in Japan.)
- *5 ○: For pipe thread type: NPT only

AR10 Regulator Made to Order

Please contact SMC for detailed dimensions, specifications and lead times.



Refer to page 79 and after for size 20 or more.

③ 0.4 MPa Setting

The setting specification is 0.4 MPa. When a pressure gauge is included, the display will show a range from 0 to 1.0 MPa.

Specifications

Made-to-order part no.	-X406
Proof pressure [MPa]	1.5
Maximum operating pressure [MPa]	1.0
Set pressure range [MPa] *1	0.05 to 0.4

*1 Pressure can be set higher than the specification pressure in some cases, but use pressure within the specification range.

⚠ Caution

- The AR10 comes with a backflow function as a standard feature. When using the AR10 as with backflow function, backflow may not occur with the set pressure of 0.15 MPa or less.

Applicable Model

Model	AR10
Port size	M5

AR 10 - M5 - - A - X406

① ② ↓ 0.4 MPa setting

- Option/Semi-standard: Select one each for a to f.
- Option/Semi-standard symbol: When more than one specification is required, indicate in alphabetic order. Example) AR10-M5BG-NR-A-X406

		Symbol	Description	Body size		
				10		
①	Option *2	a	Mounting	Nil	Without mounting option	●
				B*3	With bracket	●
				H	With set nut (for panel mount)	●
				+		
b	Pressure gauge *4	Nil	Without pressure gauge	●		
		G	Round type pressure gauge (without limit indicator)	●		
		+				
②	Semi-standard	c	Exhaust mechanism	Nil	Relieving type	●
				N	Non-relieving type	●
				+		
		d	Flow direction	Nil	Flow direction: Left to right	●
				R	Flow direction: Right to left	●
				+		
		e	Knob	Nil	Downward	●
				Y	Upward	●
		+				
f	Pressure unit	Nil	Name plate and pressure gauge in SI units: MPa	●		
		Z*5	Name plate and pressure gauge in imperial units: psi	●		

*2 Options B, G, H are not assembled and supplied loose at the time of shipment.

*3 Assembly of a bracket and set nuts.

*4 A 1.0 MPa pressure gauge will be fitted.

*5 This product is for overseas use only according to the new Measurement Act. (The SI unit type is provided for use in Japan.)

AC

AF+AR+AL

AW+AL

AF+AR

AF+AFM+AR

AW+AFM

Attachment

AF

AFM / AFD

AR

AL

AW

AR20-B to AR60-B Regulator AR20K-B to AR60K-B Regulator with Backflow Function Made to Order



Please contact SMC for detailed dimensions, specifications and lead times.

Refer to page 78 for size 10.

③ 0.4 MPa Setting

The setting specification is 0.4 MPa. When a pressure gauge is included, the display will show a range from 0 to 0.7 MPa.

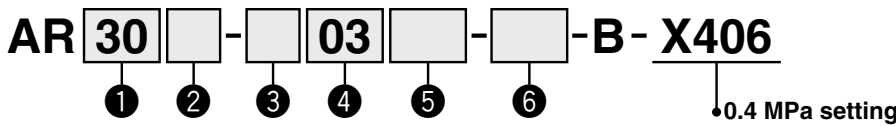
Specifications

Made-to-order part no.	-X406
Proof pressure [MPa]	1.5
Maximum operating pressure [MPa]	1.0
Set pressure range [MPa] *1	0.05 to 0.4

*1 Pressure can be set higher than the specification pressure in some cases, but use pressure within the specification range.

Applicable Model

Model	AR20(K)-B	AR25(K)-B	AR30(K)-B	AR40(K)-B	AR40(K)-06-B	AR50(K)-B	AR60(K)-B
Port size	1/8, 1/4	1/4, 3/8	1/4, 3/8	1/4, 3/8, 1/2	3/4	3/4, 1	1



- Option/Semi-standard: Select one each for a to f.
- Option/Semi-standard symbol: When more than one specification is required, indicate in alphabetic order.
Example) AR30K-03BE-NR-B-X406

	Symbol	Description	① Body size							
			20	25	30	40	50	60		
② With backflow function	Nil	Without backflow function	●	●	●	●	●	●		
	K*2	With backflow function	●	●	●	●	●	●		
③ Pipe thread type	Nil	Rc	●	●	●	●	●	●		
	N	NPT	●	●	●	●	●	●		
	F	G	●	●	●	●	●	●		
④ Port size	01	1/8	●	—	—	—	—	—		
	02	1/4	●	●	●	●	—	—		
	03	3/8	—	●	●	●	—	—		
	04	1/2	—	—	—	●	—	—		
	06	3/4	—	—	—	●	●	—		
	10	1	—	—	—	—	●	●		
⑤ Option *3	a Mounting	Nil	Without mounting option	●	●	●	●	●	●	
		B*4	With bracket	●	●	●	●	●	●	
		H	With set nut (for panel mount)	●	●	●	●	—	—	
	b Pressure gauge*5	Nil	Without pressure gauge	●	●	●	●	●	●	
		E	Square embedded type pressure gauge (with limit indicator)	●	●	●	●	●	●	
		G	Round type pressure gauge (with limit indicator)	●	●	●	●	●	●	
		M	Round type pressure gauge (with color zone)	●	●	●	●	●	●	
		Digital pressure switch	E1*6	Output: NPN output, Electrical entry: Wiring bottom entry	●	●	●	●	●	●
			E2*6	Output: NPN output, Electrical entry: Wiring top entry	●	●	●	●	●	●
			E3*6	Output: PNP output, Electrical entry: Wiring bottom entry	●	●	●	●	●	●
E4*6	Output: PNP output, Electrical entry: Wiring top entry		●	●	●	●	●	●		
⑥ Semi-standard	c Exhaust mechanism	Nil	Relieving type	●	●	●	●	●	●	
		N	Non-relieving type	●	●	●	●	●	●	
	d Flow direction	Nil	Flow direction: Left to right	●	●	●	●	●	●	
		R	Flow direction: Right to left	●	●	●	●	●	●	
e Knob	Nil	Downward	●	●	●	●	●	●		
	Y	Upward	●	●	●	●	●	●		
f Pressure unit	Nil	Name plate and pressure gauge in SI units: MPa	●	●	●	●	●	●		
	Z*7	Name plate and pressure gauge in imperial units: psi	○*9	○*9	○*9	○*9	○*9	○*9		
	ZA*8	Digital pressure switch: With unit selection function	△*10	△*10	△*10	△*10	△*10	△*10		

*2 Please set the inlet pressure to at least 0.05 MPa higher than the set pressure.

*3 Options B, G, H are not assembled and supplied loose at the time of shipment.

*4 Assembly of a bracket and set nuts. (AR20(K)-B to AR40(K)-B). Including 2 mounting screws for the AR50(K)-B and AR60(K)-B

*5 A 0.7 MPa pressure gauge will be fitted.

*6 When choosing with H (panel mount), the installation space for lead wires will not be secured. In this case, select "wiring top entry" for the electrical entry. (Select "wiring bottom entry" when the semi-standard Y is chosen simultaneously.)

*7 For pipe thread type: NPT. This product is for overseas use only according to the new Measurement Act. (The SI unit type is provided for use in Japan.) The digital pressure switch will be equipped with the unit selection function, setting to psi initially.

*8 For options: E1, E2, E3, E4. This product is for overseas use only according to the new Measurement Act. (The SI unit is provided for use in Japan.)

*9 ○: For pipe thread type: NPT only

*10 △: Select with options: E1, E2, E3, E4.

AR20-B to AR60-B Regulator AR20K-B to AR60K-B Regulator with Backflow Function Made to Order

Please contact SMC for detailed dimensions, specifications and lead times.



④ Clean Series

For details, refer to the Clean Series/Low Particle Generation section of the **Web Catalog**.

10 - Standard model no.

* Please contact SMC if a product with pressure gauge is desired.

- Clean series

⑤ Copper, Fluorine and Silicone-free + Low Particle Generation

For details, refer to the Clean Series/Low Particle Generation section of the **Web Catalog**.

21 - Standard model no.

- Copper, fluorine and silicone-free + Low particle generation

AC

AF+AR+AL

AW+AL

AF+AR

AF+AFM+AR

AW+AFM

Attachment

AF


AFM / AFD

AR

AL

AW

Modular Type Lubricator *AL Series*

Lubricator AL Series 	Model	Port size	Option
	AL10-A	M5 x 0.8	Bracket (Except AL10-A)
	AL20-A	1/8, 1/4	
	AL30-A	1/4, 3/8	
	AL40-A	1/4, 3/8, 1/2	
	AL40-06-A	3/4	
	AL50-A	3/4, 1	
	AL60-A	1	
Pages 83 to 90			

Semi-standard Specifications

①	1000cm ³ Tank	p. 89, 90
---	--------------------------	-----------

AC

AF+AR+AL

AW+AL

AF+AR

AF+AFM+AR

AW+AFM

Attachment

AF

AFM / AFD

AR

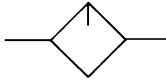
AL

AW

Lubricator

AL10-A to AL60-A

Symbol



The AL20 to 60-A is to be discontinued as of March 2025.
 Select the AL20 to 60-D as a substitute. [Click here for details.](#)
 The AL10-A will continue to be produced, so it can be selected
 and used as before.



How to Order

AL **30** - **03** **B** - **A**

① ② ③ ④ ⑤

• Option/Semi-standard: Select one each for a to d.
 • Option/Semi-standard symbol: When more than one specification is required, indicate in alphanumeric order.
 Example) AL30-03B-3RW-A

	Symbol	Description	①							
			Body size							
			10	20	30	40	50	60		
②	Pipe thread type	Nil	Metric thread (M5)							
		Rc	●	—	—	—	—	—	—	
		NPT	—	●	●	●	●	●	●	
		G	—	●	●	●	●	●		
③	Port size	M5	M5 x 0.8							
		01	●	—	—	—	—	—	—	
		02	—	●	—	—	—	—	—	
		03	—	●	●	●	—	—	—	
		04	—	—	●	●	—	—	—	
		06	—	—	—	●	●	—	—	
		10	—	—	—	●	●	—		
④	Option (Mounting)	Nil	Without mounting option							
		B*1	●	●	●	●	●	●		
			—	●	●	●	●	●		
⑤	a	Bowl *2 *3	Nil	Polycarbonate bowl						
			2	●	●	●	●	●	●	●
			6	●	●	●	●	●	●	●
			8	●	●	●	●	●	●	●
			C	—	—	●	●	●	●	●
			6C	—	●	—*4	—*4	—*4	—*4	
				—	●	—*4	—*4	—*4	—*4	
				—	●	—*5	—*5	—*5	—*5	
				—	●	—*5	—*5	—*5	—*5	
	b	Lubricant exhaust port	Nil	Without drain cock						
			3	●	●	●	●	●	●	●
			3W*6	—	—	●	●	●	●	
c	Flow direction	Nil	Flow direction: Left to right							
		R	●	●	●	●	●	●		
			●	●	●	●	●	●		
d	Pressure unit	Nil	Name plate and caution plate: MPa							
		Z*7	●	●	●	●	●	●		
			○*8	○*8	○*8	○*8	○*8	○*8		

*1 Option is not assembled and supplied loose at the time of shipment.
 *2 Refer to chemical data on page 86 for chemical resistance of the bowl.
 *3 Refer to page 89 for 1000 cm³ tanks.
 *4 A bowl guard is provided as standard equipment (polycarbonate).
 *5 A bowl guard is provided as standard equipment (nylon).
 *6 The combination of metal bowl: 2 and 8 is not available.
 *7 For pipe thread type: M5, NPT. This product is for overseas use only according to the new Measurement Act. (The SI unit type is provided for use in Japan.)
 *8 ○: For pipe thread type: M5, NPT only

Lubricator **AL10-A to AL60-A Series**

Standard Specifications

Model	AL10-A	AL20-A	AL30-A	AL40-A	AL40-06-A	AL50-A	AL60-A
Port size	M5 x 0.8	1/8, 1/4	1/4, 3/8	1/4, 3/8, 1/2	3/4	3/4, 1	1
Fluid	Air						
Ambient and fluid temperature	-5 to 60°C (with no freezing)						
Proof pressure	1.5 MPa						
Maximum operating pressure	1.0 MPa						
Minimum dripping flow rate [L/min (ANR)]*1	4	15	1/4: 30 3/8: 40	1/4: 30 3/8: 40 1/2: 50	50	190	220
Oil capacity [cm ³]	7	25	55	135			
Recommended lubricant	Class 1 turbine oil (ISO VG32)						
Bowl material	Polycarbonate						
Bowl guard	—	Semi-standard (Steel)	Standard (Polycarbonate)				
Weight [kg]	0.07	0.10	0.20	0.38	0.43	0.94	1.09

- *1 · The flow rate is 5 drops or greater/min under the following conditions: Inlet pressure of 0.5 MPa; Class 1 turbine oil (ISO VG32); Temperature at 20°C; Oil adjustment valve fully open.
 · For a circuit that repeatedly turns ON and OFF on the outlet side, make the adjustment so that the average air consumption per minute becomes the minimum dripping flow rate or more.

Option/Part No.

Optional specifications	Model						
	AL10-A	AL20-A	AL30-A	AL40-A	AL40-06-A	AL50-A	AL60-A
Bracket assembly *1	—	AF22P-050AS	AF32P-050AS	AF42P-050AS	AF42P-070AS	AF52P-050AS	

- *1 Assembly of a bracket and 2 mounting screws

Bowl Assembly/Part No.

Bowl material	Lubricant exhaust port	Other	Model						
			AL10-A	AL20-A	AL30-A	AL40-A	AL40-06-A	AL50-A	AL60-A
Polycarbonate	Without drain cock	—	C1SL-A	C2SL-A	—	—			
		With bowl guard	—	C2SL-C-A	C3SL-A	C4SL-A			
	With drain cock	—	C1SL-3-A	C2SL-3-A	—	—			
		With bowl guard	—	C2SL-3C-A	C3SL-3-A	C4SL-3-A			
Drain cock with barb fitting	With bowl guard	—	—	C3SL-3W-A	C4SL-3W-A				
Nylon	Without drain cock	—	C1SL-6-A	C2SL-6-A	—	—			
		With bowl guard	—	C2SL-6C-A	C3SL-6-A	C4SL-6-A			
	With drain cock	—	C1SL-36-A	C2SL-36-A	—	—			
		With bowl guard	—	C2SL-36C-A	C3SL-36-A	C4SL-36-A			
Drain cock with barb fitting	With bowl guard	—	—	C3SL-36W-A	C4SL-36W-A				
Metal	Without drain cock	—	C1SL-2-A	C2SL-2-A	C3SL-2-A	C4SL-2-A			
		With level gauge	—	—	C3LL-8-A	C4LL-8-A			
	With drain cock	—	C1SL-23-A	C2SL-23-A	C3SL-23-A	C4SL-23-A			
		With level gauge	—	—	C3LL-38-A	C4LL-38-A			

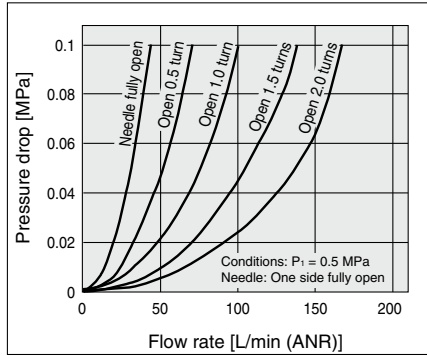
- * · Bowl seal is included for the AL20-A to AL60-A.
 · Please consult with SMC separately for psi and °F unit display specifications.

AC
 AF+AR+AL
 AW+AL
 AF+AR
 AF+AFM+AR
 AW+AFM
 Attachment
 AF
 AFM/AFD
 AR
 AL
 AW

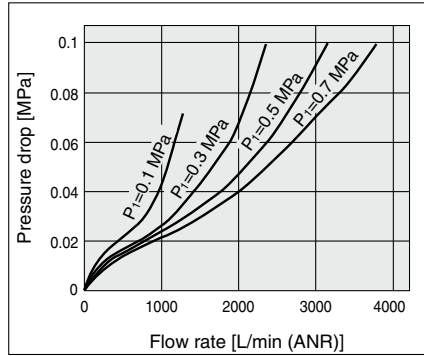
AL10-A to AL60-A Series

Flow Rate Characteristics (Representative values)

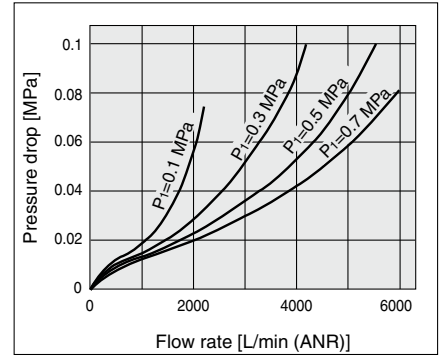
AL10-A M5



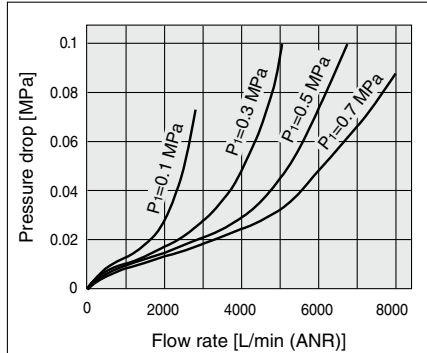
AL20-A Rc1/4



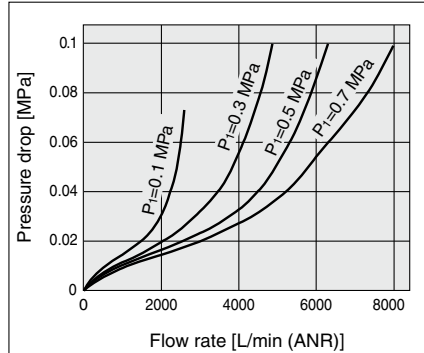
AL30-A Rc3/8



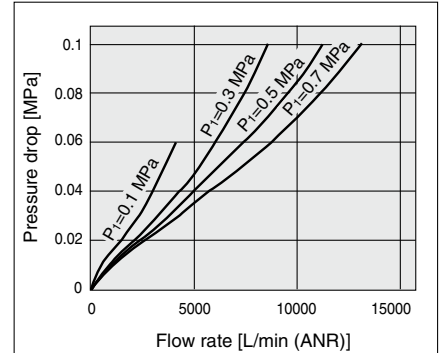
AL40-A Rc1/2



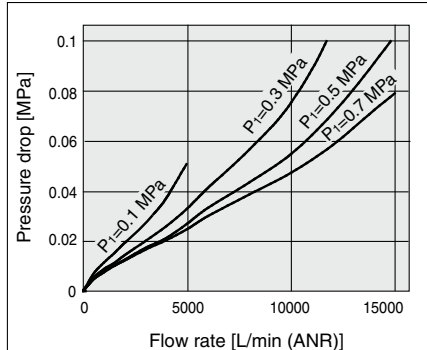
AL40-06-A Rc3/4



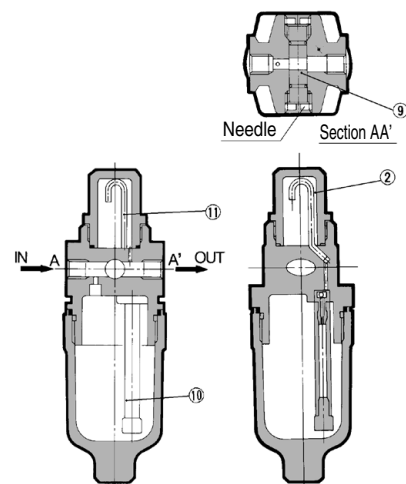
AL50-A Rc1



AL60-A Rc1



Working Principle: AL10



A portion of the air introduced from the IN side pressurizes the lubricant inside the bowl. The remainder of the air passes through the needle (9), and flows to the OUT side. The differential pressure between the inside of the bowl and the inside of the sight dome (2), causes the lubricant inside the bowl into the oil passage (10). The lubricant drips from the dripping tube (11), and lubricates the OUT side. The amount of lubricant is adjusted by the needle (9) on the front face. Turning the needle clockwise increases the amount of the lubricant, and turning it counterclockwise until fully open shuts off the lubricant. The needle on the side that is not used should be left fully open.

⚠ Specific Product Precautions

Be sure to read this before handling the products. Refer to the back cover for safety instructions. For F.R.L. units precautions, refer to the “Handling Precautions for SMC Products” and the “Operation Manual”, <https://www.smcworld.com>

Selection

⚠ Warning

- Do not introduce air from the outlet side as this can damage the damper.
- The standard bowl for the air filter, filter regulator, and lubricator, as well as the sight dome for the lubricator are made of polycarbonate. Do not use in an environment where they are exposed to or come in contact with organic solvents, chemicals, cutting oil, synthetic oil, alkali, and thread lock solutions.

Effects of atmosphere of organic solvents and chemicals, and where these elements are likely to adhere to the equipment.
Chemical data for substances causing degradation (Reference)

Type	Chemical name	Application examples	Material	
			Polycarbonate	Nylon
Acid	Hydrochloric acid Sulfuric acid, Phosphoric acid Chromic acid	Acid washing liquid for metals	△	×
Alkaline	Sodium hydroxide (Caustic soda) Potash Calcium hydroxide (Slack lime) Ammonia water Carbonate of soda	Degreasing of metals Industrial salts Water-soluble cutting oil	×	○
Inorganic salts	Sodium sulfide Potassium nitrate Sulfate of soda	—	×	△
Chlorine solvents	Carbon tetrachloride Chloroform Ethylene chloride Methylene chloride	Cleansing liquid for metals Printing ink Dilution	×	△
Aromatic series	Benzene Toluene Paint thinner	Coatings Dry cleaning	×	△
Ketone	Acetone Methyl ethyl ketone Cyclohexane	Photographic film Dry cleaning Textile industries	×	×
Alcohol	Ethyl alcohol IPA Methyl alcohol	Antifreeze Adhesives	△	×
Oil	Gasoline Kerosene	—	×	○
Ester	Phthalic acid dimethyl Phthalic acid diethyl Acetic acid	Synthetic oil Anti-rust additives	×	○
Ether	Methyl ether Ethyl ether	Brake oil additives	×	○
Amino	Methyl amino	Cutting oil Brake oil additives Rubber accelerator	×	×
Others	Thread-lock fluid Seawater Leak tester	—	×	△

○: Essentially safe △: Some effects may occur. ×: Effects will occur.

When the above factors are present, or there is some doubt, use a metal bowl for safety.

Selection

⚠ Caution

- Use a check valve (AKM series) to prevent back flow of the lubricant when redirecting the air flow before the lubricator.

Maintenance

⚠ Warning

- For the AL10-A/AL20-A, replenish the lubricant after releasing the inlet pressure. Lubrication cannot take place under a pressurized condition.
- Adjustment of the oil regulating valve for models from the AL20-A to AL60-A should be carried out manually. Turning it counterclockwise increases the dripping amount, and turning it clockwise reduces the dripping amount. The use of tools etc. can result in damage to the unit. From the fully closed position, three rotations will bring it to the fully open position. Do not rotate it any further than this. Note that the numbered scale markings are guidelines for adjusting the position, and not indicators of the dripping amount.

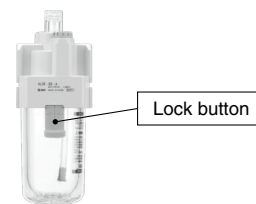
⚠ Caution

- Check the dripping amount once a day. Drip failure can cause damage to the components that need lubrication.

Mounting/Adjustment

⚠ Caution

- When the bowl is installed on the AL30-A to AL60-A, install them so that the lock button lines up to the groove of the front (or the back) of the body to avoid drop or damage of the bowl.



AC

AF+AR+AL

AW+AL

AF+AR

AF+AFM+AR

AW+AFM

Attachment

AF

AFM / AFD

AR

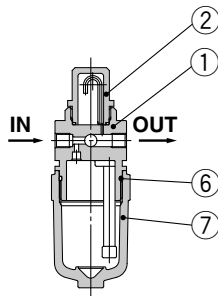
AL

AW

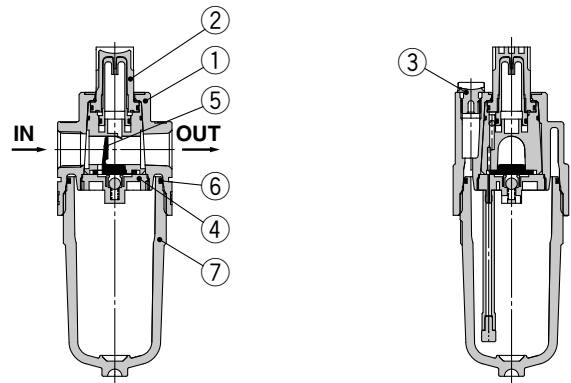
AL10-A to AL60-A Series

Construction

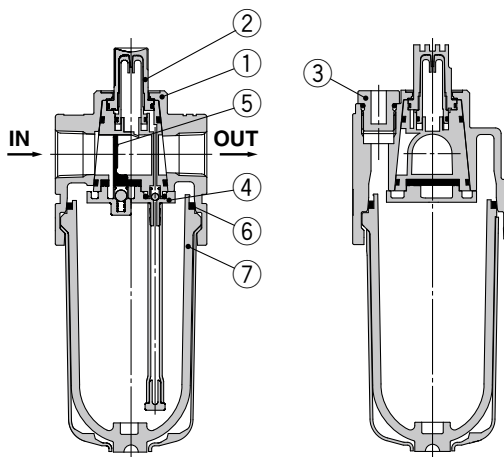
AL10-A



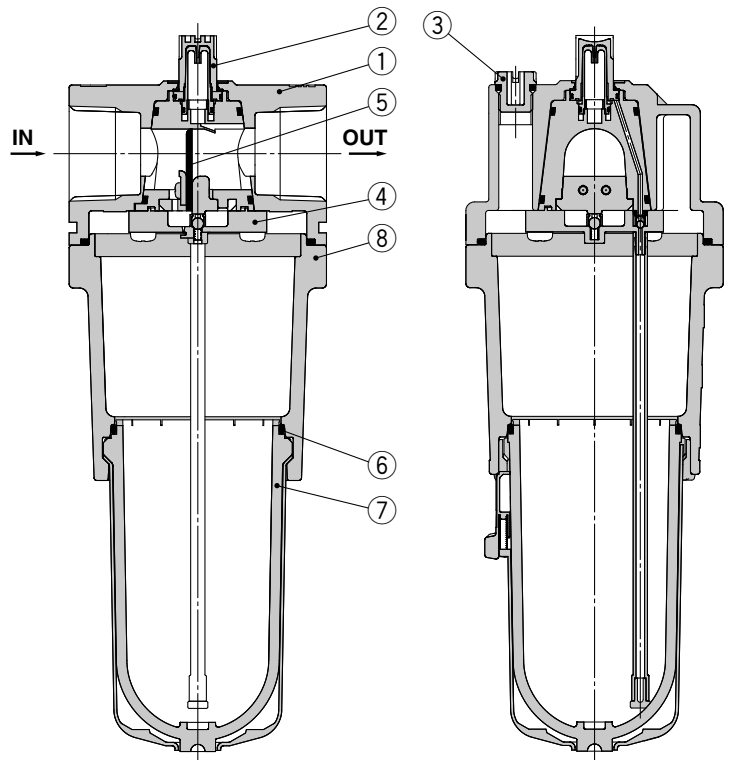
AL20-A



AL30-A/AL40-A



AL50-A/AL60-A



Component Parts

No.	Description	Material	Model	Color
1	Body	Zinc die-cast	AL10-A	White
		Aluminum die-cast	AL20-A to AL60-A	
8	Housing	Aluminum die-cast	AL50-A/AL60-A	White

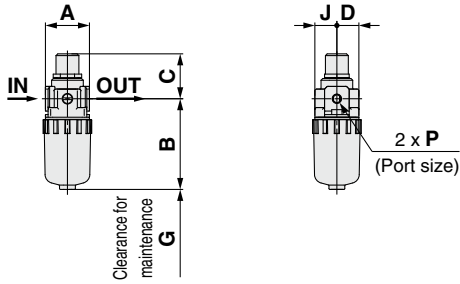
Replacement Parts

No.	Description	Material	Part no.						
			AL10-A	AL20-A	AL30-A	AL40-A	AL40-06-A	AL50-A	AL60-A
2	Sight dome assembly	Polycarbonate	AL10P-080AS	AL20P-080AS					
3	Lubrication plug assembly	—	—	AL22P-060AS	AL32P-060AS	AL42P-060AS			
4	Damper retainer assembly	—	—	AL20P-030AS	AL30P-030AS	AL40P-030AS	AL50P-030AS	AL60P-030AS	
5	Damper assembly	Synthetic resin	—	AL20P-040S	AL30P-040S	AL40P-040S	AL50P-040AS	AL60P-040AS	
6	Bowl seal	NBR	C1SFP-260S	C2SFP-260S	C32FP-260S	C42FP-260S			
7	Bowl assembly *1	Polycarbonate	C1SL-A	C2SL-A	C3SL-A	C4SL-A			

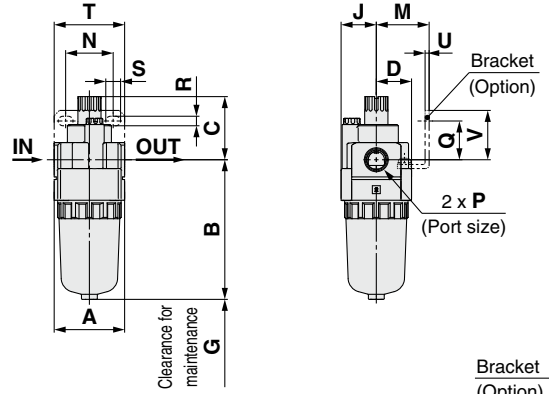
*1 · Bowl seal is included for the AL20-A to AL60-A. Please consult with SMC separately for psi and °F unit display specifications.
 · Bowl assembly for the AL30-A to AL60-A models comes with a bowl guard (Material: Polycarbonate).

Dimensions

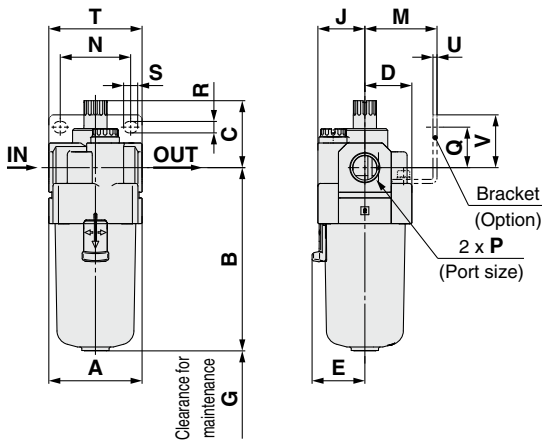
AL10-A



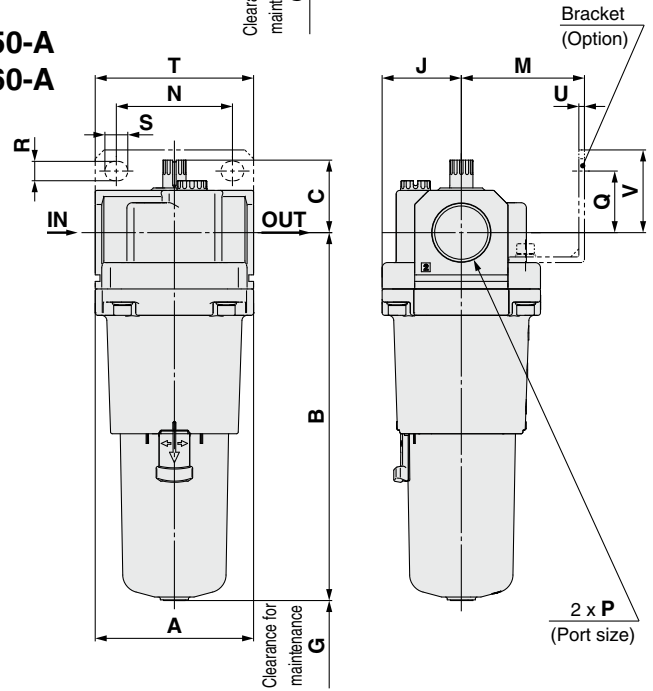
AL20-A



AL30-A to AL40-06-A



AL50-A AL60-A



Applicable model	AL10-A/AL20-A			AL30-A to AL60-A
Optional/Semi-standard specifications	With drain cock	Metal bowl	Metal bowl with drain cock	Metal bowl
Dimensions				

Applicable model	AL30-A to AL60-A				
Optional/Semi-standard specifications	With drain cock	Metal bowl with level gauge	Metal bowl with drain cock	Metal bowl with level gauge, with drain cock	Drain cock with barb fitting
Dimensions					

Model	Standard specifications																Optional specifications						Semi-standard specifications					
																	Bracket mount						With drain cock	With barb fitting	Metal bowl	Metal bowl with drain cock	Metal bowl with level gauge	Metal bowl with level gauge, with drain cock
	P	A	B	C	D	E	G	J	M	N	Q	R	S	T	U	V	B	B	B	B	B	B						
AL10-A	M5 x 0.8	25	51.5	25.5	12.5	—	35	12.5	—	—	—	—	—	—	—	59.9	—	56.3	59.3	—	—							
AL20-A	1/8, 1/4	40	79.3	35.9	20	—	60	20	30	27	22	5.4	8.4	40	2.3	28	87.7	—	84.5	87.5	—	—						
AL30-A	1/4, 3/8	53	104.1	38.1	26.7	30	80	26.7	41	35	23	6.5	13	53	2.3	30	115.1	123.6	104.1	117.6	124.1	137.6						
AL40-A	1/4, 3/8, 1/2	70	136.1	39.8	35.5	38.4	110	35.5	50	52	26	8.5	12.5	70	2.3	35	147.1	155.6	136.1	149.6	156.1	169.6						
AL40-06-A	3/4	75	138.1	37.8	35.5	38.4	110	35.5	50	52	25	8.5	12.5	70	2.3	34	149.1	157.6	138.1	151.6	158.1	171.6						
AL50-A	3/4, 1	90	209.1	41.2	45	—	110	45	70	66	35	11	13	90	3.2	47	220.1	228.6	209.1	222.6	229.1	246.2						
AL60-A	1	95	223.1	44.7	47.5	—	110	47.5	70	66	35	11	13	90	3.2	47	234.1	242.6	223.1	236.6	243.1	256.6						

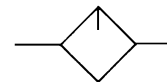
AC
AF+AR+AL
AW+AL
AF+AR
AF+AFM+AR
AW+AFM
Attachment
AF
AFM / AFD
AR
AL
AW

Semi-standard Specifications: 1000 cm³ Tank Lubricator

AL30 to AL60

Available for previous models (AL30 to 60).

Symbol



How to Order

AL **30** - **03** **B** - **1**

① ② ③ ④ ⑤

- Option/Semi-standard: Select one each for **a** to **c**.
- Option/Semi-standard symbol: When more than one specification is required, indicate in alphanumeric order.
Example) AL30-03B-1R

		Symbol	Description	① Body size				
				30	40	50	60	
②	Pipe thread type	Nil	Rc	●	●	●	●	
		N	NPT	●	●	●	●	
		F	G	●	●	●	●	
		+						
③	Port size	02	1/4	●	●	—	—	
		03	3/8	●	●	—	—	
		04	1/2	—	●	—	—	
		06	3/4	—	●	●	—	
		10	1	—	—	●	●	
		+						
④	Option (Mounting)	Nil	Without mounting option	●	●	●	●	
		B*1	With bracket	●	●	●	●	
		+						
⑤	a	Bowl*2	1	1000 cm ³ tank	●	●	●	●
			10	1000 cm ³ tank (with switch) Lowest limit ON	●	●	●	●
			11	1000 cm ³ tank (with switch) Lowest limit OFF	●	●	●	●
			+					
	b	Flow direction	Nil	Flow direction: Left to right	●	●	●	●
			R	Flow direction: Right to left	●	●	●	●
			+					
	c	Pressure unit	Nil	Name plate in SI units: MPa	●	●	●	●
			Z*3	Name plate in imperial units: psi	○*4	○*4	○*4	○*4

*1 Option B is not assembled and supplied loose at the time of shipment.

*2 The standard bowl is a metal bowl with level gauge and lubricant discharge function. The material of the sight dome is polycarbonate resin. For chemical resistance, refer to the chemical data on page 463.

*3 For pipe thread type: M5, NPT. This product is for overseas use only according to the new Measurement Act. (The SI unit type is provided for use in Japan.)

*4 O: For pipe thread type: M5, NPT only

Semi-standard/Bowl Assembly Part No.

Semi-standard specifications			Model				
Bowl material	With switch		AL30	AL40	AL40-06	AL50	AL60
	Lowest limit ON	Lowest limit OFF					
1000 cm ³ tank (Metal bowl with level gauge)	—	—	121538-1A				
	●	—	121538-1A-S1 [IS400-1 (Float switch only)]				
	—	●	121538-1A-S2 [IS400-2 (Float switch only)]				

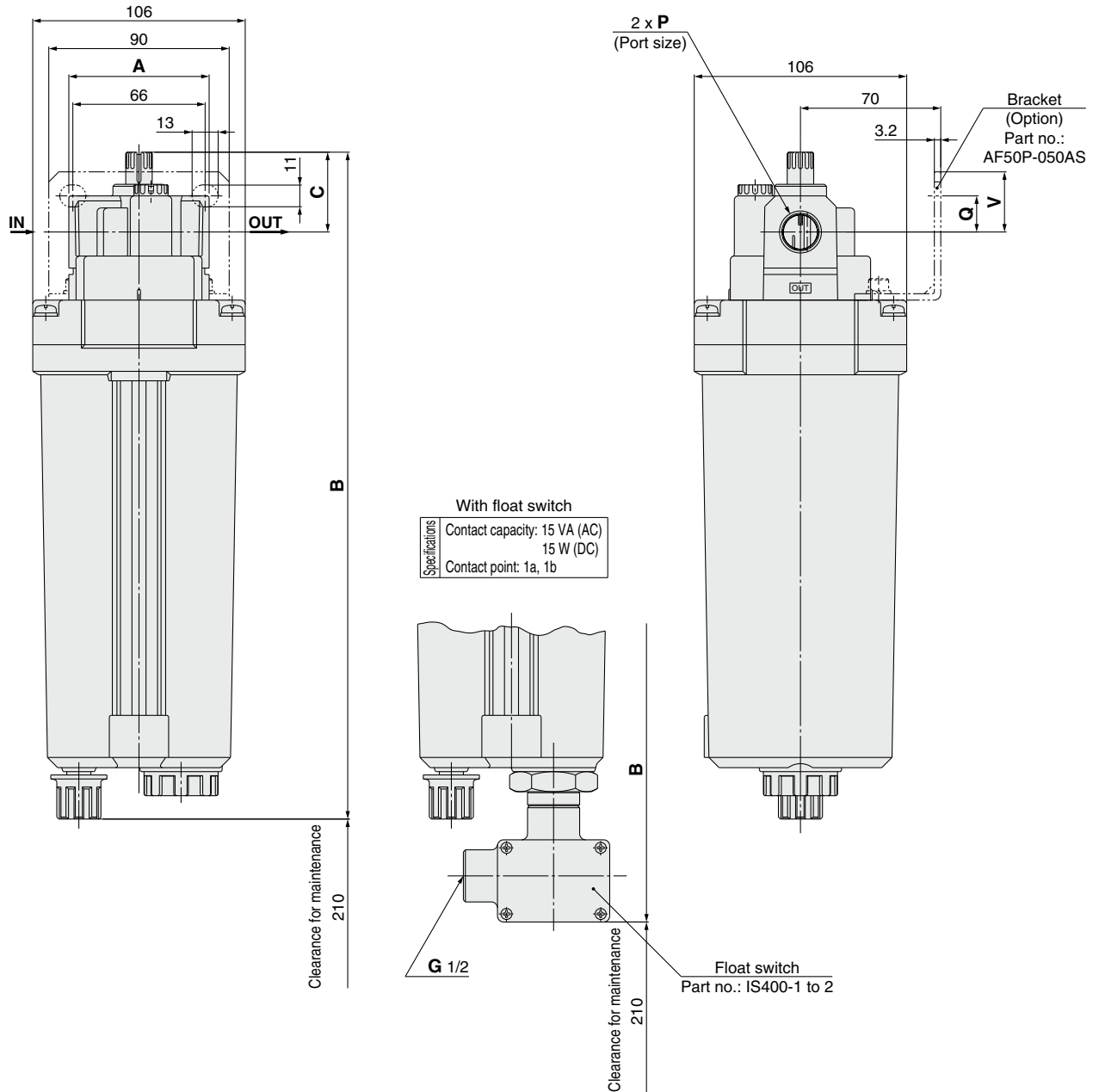
* It is not possible to switch from a polycarbonate, nylon or metal bowl, or from a metal bowl with a level gauge to a 1000 cm³ tank. Please order the product separately.

• When adding a float switch to the 1000 cm³ tank, select IS400-1 or IS400-2.

• For other replacement parts, refer to the Operation Manual.

Dimensions


Semi-standard specifications: 1000 cm³ tank



Model	P	A	B	C	Bracket mount		Float switch
					Q	V	B
AL30	1/4, 3/8	53	324	38	25	—	374
AL40	1/4, 3/8, 1/2	70	333	40	18	—	383
AL40-06	3/4	75	333	38	16	—	383
AL50	3/4, 1	90	332	41	35	47	382
AL60	1	95	335	45	35	47	385

AC
AF+AR+AL
AF+AR
AW+AL
AF+AR
AF+AFM+AR
AW+AFM
Attachment
AF
AFM / AFD
AR
AL
AW

Modular Type Filter Regulator **AW Series**

Filter Regulator AW Series 	Model	Port size	Set pressure	Options
	AW10-A	M5 x 0.8	0.05 to 0.7 MPa 0.02 to 0.2 MPa	Bracket Round type pressure gauge Set nut (for panel mount)*1
	AW20(K)-B	1/8, 1/4	0.05 to 0.85 MPa 0.02 to 0.2 MPa	Bracket Set nut (for panel mount)*1
	AW30(K)-B	1/4, 3/8		Float type auto drain
	AW40(K)-B	1/4, 3/8, 1/2		Square embedded type pressure gauge Digital pressure switch
	AW40(K)-06-B	3/4		Round type pressure gauge
	AW60(K)-B	3/4, 1		Bracket Square embedded type pressure gauge Digital pressure switch Round type pressure gauge

Pages 93 to 111

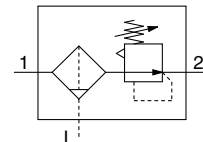
***1 Interchangeable with the previous AW series and panel mounting dimensions.**

Made to Order

①	Special Temperature Environment (-X430/-X440) Special materials are used in the manufacturing of seals and resin parts to allow them to withstand various temperature conditions in cold or tropical (hot) climates.	P.106 to 111
②	High Pressure (-X425) Strong materials are used in the manufacturing of air filters intended for high pressure operation.	
③	0.4 MPa Setting (-X406) The maximum set pressure is 0.4 MPa. When a pressure gauge is included, the display will show a range from 0 to 0.7 MPa.	
④	Long Bowl (-X64) Drain capacity is greater than that of standard models.	
⑤	Clean Series (10-)	
⑥	Copper, Fluorine and Silicone-free + Low Particle Generation (21-)	

Filter Regulator AW10-A

Symbol
Filter Regulator



- Integrated filter and regulator units save space and require less piping.

How to Order

Refer to page 95 for size 20 to 60.

AW10-M5 - - A -

① ②

- Option/Semi-standard: Select one each for **a** to **h**.
- Option/Semi-standard symbol: When more than one specification is required, indicate in alphanumeric order.
Example) AW10-M5CG-12NR-A

- **Made to order**
(Refer to page 108 for details.)

		Symbol	Description	
1	Option *1	a	Mounting	Nil Without mounting option
			B With bracket	
			H With set nut (for panel mount)	
	+			
	b	Float type auto drain	Nil Without auto drain	
			C *2 N.C. (Normally closed) Drain port is closed when pressure is not applied.	
+				
c	Pressure gauge	Nil Without pressure gauge		
		G *3 Round type pressure gauge (without limit indicator)		
+				
2	Semi-standard	d	Set pressure *4	Nil 0.05 to 0.7 MPa setting
			1 0.02 to 0.2 MPa setting	
	+			
	e	Bowl *5	Nil Polycarbonate bowl	
			2 Metal bowl	
			6 Nylon bowl	
	+			
	f	Exhaust mechanism	Nil Relieving type	
			N Non-relieving type	
	+			
	g	Flow direction	Nil Flow direction: Left to right	
			R Flow direction: Right to left	
+				
h	Pressure unit	Nil Name plate, caution plate, and pressure gauge in SI units: MPa		
		Z *6 Name plate, caution plate, and pressure gauge in imperial units: psi, °F		

*1 Options B, G, H are not assembled and supplied loose at the time of shipment.

*2 When pressure is not applied, condensate which does not start the auto drain mechanism will be left in the bowl.

Releasing the residual condensate before ending operations for the day is recommended.

*3 A 1.0 MPa pressure gauge will be fitted. It is not assembled and supplied loose at the time of shipment.

*4 Pressure can be set higher than the specification pressure in some cases, but use pressure within the specification range.

*5 Refer to chemical data on page 98 for chemical resistance of the bowl.

*6 This product is for overseas use only according to the new Measurement Act. (The SI unit type is provided for use in Japan.)



AW10-A

Standard Specifications

Port size	M5 x 0.8
Pressure gauge port size	1/16
Fluid	Air
Ambient and fluid temperature	-5 to 60°C (with no freezing)
Proof pressure	1.5 MPa
Maximum operating pressure	1.0 MPa
Set pressure range	0.05 to 0.7 MPa
Nominal filtration rating	5 μm
Drain capacity [cm ³]	2.5
Bowl material	Polycarbonate
Construction	Relieving type
Weight [kg]	0.09

Options/Part No.

Bracket assembly *1	AR12P-270AS
Set nut	AR12P-260S
Round type pressure gauge *2	G27-10-R1

*1 Assembly of a bracket and set nuts

*2 1.0 MPa pressure gauge

Bowl Assembly/Part No.

Bowl material	Drain discharge mechanism	Drain port	Bowl part no.
Polycarbonate	Manual	With drain cock	C1SF-A
	Automatic (Auto drain) *1	Normally closed (N.C.)	AD17-A
Nylon	Manual	With drain cock	C1SF-6-A
	Automatic (Auto drain) *1	Normally closed (N.C.)	AD27-6-A
Metal	Manual	With drain cock	C1SF-2-A
	Automatic (Auto drain) *1	Normally closed (N.C.)	AD17-2-A

*1 Minimum operating pressure: 0.1 MPa

* Please consult with SMC separately for psi and °F unit display specifications.

AC

AF+AR+AL

AW+AL

AF+AR

AF+AFM+AR

AW+AFM

Attachment

AF

AFM / AFD

AR

AL

AW

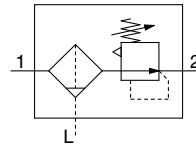
Filter Regulator

AW20-B to AW60-B

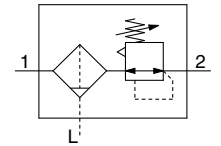
Filter Regulator with Backflow Function

AW20K-B to AW60K-B

Symbol
Filter Regulator



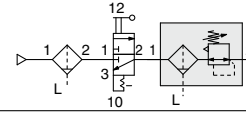
Filter Regulator with Backflow Function



- Integrated filter and regulator units save space and require less piping.
- Models with the backflow function include a mechanism which allows for the air pressure in the outlet side to be released to the inlet side.

Example)

When the air supply is cut off and releasing the inlet pressure to the atmosphere, the residual pressure release of the outlet side can be ensured.



The AW-B/AW□K-B is to be discontinued as of March 2025. Select the AW-D/AW□K-D as a substitute. [Click here for details.](#)

How to Order

Refer to page 93 for size 10.

AW **30** **K** - **03** **BE** - **B** - **1N**

① ② ③ ④ ⑤ ⑥

- Option/Semi-standard: Select one each for a to i.
- Option/Semi-standard symbol: When more than one specification is required, indicate in alphanumeric order. Example) AW30K-03BE-1N-B

• Made to order

(Refer to pages 106 to 111 for details.)

	Symbol	Description	① Body size					
			20	30	40	60		
② With backflow function	Nil	Without backflow function	●	●	●	●		
	K*1	With backflow function	●	●	●	●		
③ Pipe thread type	+	Rc	●	●	●	●		
	N*2	NPT	●	●	●	●		
	F*3	G	●	●	●	●		
④ Port size	01	1/8	●	—	—	—		
	02	1/4	●	●	●	—		
	03	3/8	—	●	●	—		
	04	1/2	—	—	●	—		
	06	3/4	—	—	●	●		
	10	1	—	—	—	●		
⑤ Option *4	a Mounting	Nil	Without mounting option	●	●	●	●	
		B*5	With bracket	●	●	●	●	
		H	With set nut (for panel mount)	●	●	●	—	
	b Float type auto drain	Nil	Without auto drain	●	●	●	●	
		C*6	N.C. (Normally closed) Drain port is closed when pressure is not applied.	●	●	●	●	
		D*7	N.O. (Normally open) Drain port is open when pressure is not applied.	—	●	●	●	
	c Pressure gauge *8	Nil	Without pressure gauge	●	●	●	●	
		E	Square embedded type pressure gauge (with limit indicator)	●	●	●	●	
		G	Round type pressure gauge (with limit indicator)	●	●	●	●	
		M	Round type pressure gauge (with color zone)	●	●	●	●	
		Digital pressure switch *9	E1	Output: NPN output, Electrical entry: Wiring bottom entry	●	●	●	●
			E2	Output: NPN output, Electrical entry: Wiring top entry	●	●	●	●
			E3	Output: PNP output, Electrical entry: Wiring bottom entry	●	●	●	●
	E4		Output: PNP output, Electrical entry: Wiring top entry	●	●	●	●	
	⑥ Semi-standard	d Set pressure *10	Nil	0.05 to 0.85 MPa setting	●	●	●	●
1			0.02 to 0.2 MPa setting	●	●	●	●	
e Bowl *11		Nil	Polycarbonate bowl	●	●	●	●	
		2	Metal bowl	●	●	●	●	
		6	Nylon bowl	●	●	●	●	
		8	Metal bowl with level gauge	—	●	●	●	
		C	With bowl guard	●	—*12	—*12	—*12	
		6C	With bowl guard (Nylon bowl)	●	—*13	—*13	—*13	
f Drain port *14		Nil	With drain cock	●	●	●	●	
		J*15	Drain guide 1/8	●	—	—	—	
	W*16	Drain guide 1/4	—	●	●	●		
	W*16	Drain cock with barb fitting	—	●	●	●		

Filter Regulator **AW20-B to AW60-B Series**

Filter Regulator with Backflow Function **AW20K-B to AW60K-B Series**



AW20-B, AW20K-B AW40-B, AW40K-B

AC
AF+AR+AL
AW+AL
AF+AR
AF+AFM+AR
AW+AFM
Attachment
AF
AFM / AFD
AR
AL
AW

		Symbol	Description	①				
				Body size				
				20	30	40	60	
6	g	Exhaust mechanism	Nil	Relieving type	●	●	●	●
			N	Non-relieving type	●	●	●	●
	+							
	h	Flow direction	Nil	Flow direction: Left to right	●	●	●	●
			R	Flow direction: Right to left	●	●	●	●
	+							
	i	Pressure unit	Nil	Name plate, caution plate for bowl, and pressure gauge in SI units: MPa	●	●	●	●
			Z*17	Name plate, caution plate for bowl, and pressure gauge in imperial units: psi, °F	○*19	○*19	○*19	○*19
			ZA*18	Digital pressure switch: With unit selection function	△*20	△*20	△*20	△*20

- *1 Set the inlet pressure to at least 0.05 MPa higher than the set pressure.
- *2 Drain guide is NPT1/8 (applicable to the AW20(K)-B) and NPT1/4 (applicable to the AW30(K)-B to AW60(K)-B). The auto drain port comes with ø3/8" One-touch fitting (applicable to the AW30(K)-B to AW60(K)-B).
- *3 Drain guide is G1/8 (applicable to the AW20(K)-B) and G1/4 (applicable to the AW30(K)-B to AW60(K)-B).
- *4 Options B, G, H, M are not assembled and supplied loose at the time of shipment.
- *5 Assembly of a bracket and set nuts (applicable to the AW20(K)-B to AW40(K)-B). Including 2 mounting screws for the AW60(K)-B
- *6 When pressure is not applied, condensate which does not start the auto drain mechanism will be left in the bowl. Releasing the residual condensate before ending operations for the day is recommended.
- *7 If the compressor is small (0.75 kW, discharge flow is less than 100 L/min[ANR]), air leakage from the drain cock may occur during start of operations. N.C. type is recommended.
- *8 When the pressure gauge is attached, a 1.0 MPa pressure gauge will be fitted for standard (0.85 MPa) type. 0.4 MPa pressure gauge for 0.2 MPa type.
- *9 When choosing with H (panel mount), the installation space for lead wires will not be secured. In this case, select "wiring bottom entry" for the electrical entry.
- *10 Pressure can be set higher than the specification pressure in some cases, but use pressure within the specification range.
- *11 Refer to chemical data on page 98 for chemical resistance of the bowl.
- *12 A bowl guard is provided as standard equipment (polycarbonate).
- *13 A bowl guard is provided as standard equipment (nylon).
- *14 The combination of float type auto drain: C and D is not available.
- *15 Without a valve function
- *16 The combination of metal bowl: 2 and 8 is not available.
- *17 For pipe thread type: NPT. This product is for overseas use only according to the new Measurement Act. (The SI unit type is provided for use in Japan.) Cannot be used with M: Round type pressure gauge (with color zone). Available by request for special. The digital pressure switch will be equipped with the unit selection function, setting to psi initially.
- *18 For options: E1, E2, E3, E4. This product is for overseas use only according to the new Measurement Act. (The SI unit is provided for use in Japan.)
- *19 ○: For pipe thread type: NPT only
- *20 △: Select with options: E1, E2, E3, E4.

Standard Specifications

Model	AW20-B	AW30-B	AW40-B	AW40-06-B	AW60-B
Port size	1/8, 1/4	1/4, 3/8	1/4, 3/8, 1/2	3/4	3/4, 1
Pressure gauge port size *1	1/8				
Fluid	Air				
Ambient and fluid temperature *2	-5 to 60°C (with no freezing)				
Proof pressure	1.5 MPa				
Maximum operating pressure	1.0 MPa				
Set pressure range	0.05 to 0.85 MPa				
Nominal filtration rating	5 µm				
Drain capacity [cm ³]	8	25	45		
Bowl material	Polycarbonate				
Bowl guard	Semi-standard (Steel)		Standard (Polycarbonate)		
Construction	Relieving type				
Weight [kg]	0.20	0.36	0.66	0.72	2.05

*1 Pressure gauge connection threads are not available for F.R.L. unit with a square embedded type pressure gauge or with a digital pressure switch.
*2 -5 to 50°C for the products with the digital pressure switch

AW20-B to AW60-B Series

AW20K-B to AW60K-B Series

Options/Part No.

Optional specifications		Model				
		AW20(K)-B	AW30(K)-B	AW40(K)-B	AW40(K)-06-B	AW60(K)-B
Bracket assembly *1		AW23P-270AS	AR33P-270AS	AR43P-270AS		AW62P-270AS
Set nut		AR23P-260S	AR33P-260S	AR43P-260S		—*2
Pressure gauge	Round type *3	Standard	G36-10-□01		G46-10-□01	
		0.02 to 0.2 MPa setting	G36-4-□01		G46-4-□01	
	Round type *3 (with color zone)	Standard	G36-10-□01-L		G46-10-□01-L	
		0.02 to 0.2 MPa setting	G36-4-□01-L		G46-4-□01-L	
Square embedded type *4	Standard	GC3-10AS [GC3P-010AS (Pressure gauge cover only)]				
	0.02 to 0.2 MPa setting	GC3-4AS [GC3P-010AS (Pressure gauge cover only)]				
Digital pressure switch *5		NPN output, Wiring bottom entry	ISE35-N-25-MLA [ISE35-N-25-M (Switch body only)]			
		NPN output, Wiring top entry	ISE35-R-25-MLA [ISE35-R-25-M (Switch body only)]			
		PNP output, Wiring bottom entry	ISE35-N-65-MLA [ISE35-N-65-M (Switch body only)]			
		PNP output, Wiring top entry	ISE35-R-65-MLA [ISE35-R-65-M (Switch body only)]			

*1 Assembly of a bracket and set nuts. Including 2 mounting screws for the AW60(K)-B

*2 Please consult with SMC regarding the set nuts for the AW60(K)-B.

*3 □ in part numbers for a round type pressure gauge indicates a pipe thread type.

No indication is necessary for R; however, indicate N for NPT.

Please contact SMC regarding the pressure gauge supply for psi unit specifications.

*4 Including one O-ring and 2 mounting screws.

[]: Pressure gauge cover only

*5 In addition to the pressure switch body, lead wire with connector (2 m), adapter, lock pin, O-ring (1 pc.), mounting screw (2 pcs.) are attached.

[]: Switch body only. (Regarding how to order the digital pressure switch, refer to the **Web Catalog**.)

A pressure switch can be mounted on the AW60(K)-B, with a special mounting adapter (Pressure switch adapter assembly: AW63P-310AS) and mounting screws (M3 x 0.5 x 14) which are delivered with the mounting adapter.

Bowl Assembly/Part No.

Bowl material	Drain discharge mechanism	Drain port	Other	Model				
				AW20-B	AW30-B	AW40-B	AW40-06-B	AW60-B
Polycarbonate	Manual	With drain cock	—	C2SF-A	—	—		
			With bowl guard	C2SF-C-A	C3SF-A	C4SF-A		
		Drain cock with barb fitting	With bowl guard	—	C3SF-W-A	C4SF-W-A		
		With drain guide (without valve function)	With bowl guard	C2SF□-J-A	—	—		
			With bowl guard	C2SF□-CJ-A	C3SF□-J-A	C4SF□-J-A		
	Automatic *1 (Auto drain)	Normally closed (N.C.)	—	AD27-A	—	—		
		With bowl guard	AD27-C-A	AD37□-A	AD47□-A			
	Normally open (N.O.)	With bowl guard	—	AD38□-A	AD48□-A			
Nylon	Manual	With drain cock	—	C2SF-6-A	—	—		
			With bowl guard	C2SF-6C-A	C3SF-6-A	C4SF-6-A		
		Drain cock with barb fitting	With bowl guard	—	C3SF-6W-A	C4SF-6W-A		
		With drain guide (without valve function)	With bowl guard	C2SF□-6J-A	—	—		
			With bowl guard	C2SF□-6CJ-A	C3SF□-6J-A	C4SF□-6J-A		
	Automatic *1 (Auto drain)	Normally closed (N.C.)	—	AD27-6-A	—	—		
		With bowl guard	AD27-6C-A	AD37□-6-A	AD47□-6-A			
	Normally open (N.O.)	With bowl guard	—	AD38□-6-A	AD48□-6-A			
Metal	Manual	With drain cock	—	C2SF-2-A	C3SF-2-A	C4SF-2-A		
			With level gauge	—	C3LF-8-A	C4LF-8-A		
		With drain guide (without valve function)	With level gauge	C2SF□-2J-A	C3SF□-2J-A	C4SF□-2J-A		
			With level gauge	—	C3LF□-8J-A	C4LF□-8J-A		
	Automatic *1 (Auto drain)	Normally closed (N.C.)	—	AD27-2-A	AD37□-2-A	AD47□-2-A		
			With level gauge	—	AD37□-8-A	AD47□-8-A		
	Normally open (N.O.)	With level gauge	—	AD38□-2-A	AD48□-2-A			
		With level gauge	—	AD38□-8-A	AD48□-8-A			

*1 Minimum operating pressure: N.O. type—0.1 MPa (AD38-A, AD48-A); N.C. type—0.1 MPa (AD27-A) and 0.15 MPa (AD37-A, AD47-A).

Bowl assembly comes with a bowl seal.

□ in bowl assembly part numbers indicates a pipe thread type (applicable tubing for auto drain).

No indication is necessary for Rc thread; however, indicate N for NPT thread, and F for G thread. (For auto drain, Nil: ø10, N: ø3/8")

Please consult with SMC separately for psi and °F unit display specifications.

⚠ Specific Product Precautions

Be sure to read this before handling the products. Refer to the back cover for safety instructions. For F.R.L. units precautions, refer to the “Handling Precautions for SMC Products” and the “Operation Manual”, <https://www.smcworld.com>

Design/Selection

⚠ Warning

- Residual pressure disposal (outlet pressure removal) is not possible for the AW20-B to AW60-B even though the inlet pressure is exhausted. When the residual pressure disposal is performed, use the filter regulator with backflow function (AW20K-B to AW60K-B).
- The standard bowl for the air filter, filter regulator, and lubricator, as well as the sight dome for the lubricator are made of polycarbonate. Do not use in an environment where they are exposed to or come in contact with organic solvents, chemicals, cutting oil, synthetic oil, alkali, and thread lock solutions.

Effects of atmosphere of organic solvents and chemicals, and where these elements are likely to adhere to the equipment. Chemical data for substances causing degradation (Reference)

Type	Chemical name	Application examples	Material	
			Polycarbonate	Nylon
Acid	Hydrochloric acid Sulfuric acid, Phosphoric acid Chromic acid	Acid washing liquid for metals	△	×
Alkaline	Sodium hydroxide (Caustic soda) Potash Calcium hydroxide (Slack lime) Ammonia water Carbonate of soda	Degreasing of metals Industrial salts Water-soluble cutting oil	×	○
Inorganic salts	Sodium sulfide Potassium nitrate Sulfate of soda	—	×	△
Chlorine solvents	Carbon tetrachloride Chloroform Ethylene chloride Methylene chloride	Cleansing liquid for metals Printing ink Dilution	×	△
Aromatic series	Benzene Toluene Paint thinner	Coatings Dry cleaning	×	△
Ketone	Acetone Methyl ethyl ketone Cyclohexane	Photographic film Dry cleaning Textile industries	×	×
Alcohol	Ethyl alcohol IPA Methyl alcohol	Antifreeze Adhesives	△	×
Oil	Gasoline Kerosene	—	×	○
Ester	Phthalic acid dimethyl Phthalic acid diethyl Acetic acid	Synthetic oil Anti-rust additives	×	○
Ether	Methyl ether Ethyl ether	Brake oil additives	×	○
Amino	Methyl amino	Cutting oil Brake oil additives Rubber accelerator	×	×
Others	Thread-lock fluid Seawater Leak tester	—	×	△

○: Essentially safe △: Some effects may occur. ×: Effects will occur.

When the above factors are present, or there is some doubt, use a metal bowl for safety.

Design/Selection

⚠ Caution

- When operating at an inlet pressure lower than the inlet pressure used in the flow rate characteristics graph, the pressure drop on the outlet side may be greater. Therefore, be sure to conduct testing using the actual equipment.
For pressure control equipment selection, refer to the “Product Selection Guide.”

Maintenance

⚠ Warning

- Replace the element every 2 years or when the pressure drop becomes 0.1 MPa, whichever comes first, to prevent damage to the element.

Mounting/Adjustment

⚠ Warning

- Set the regulator while verifying the displayed values of the inlet and outlet pressure gauges. Turning the regulator knob excessively can cause damage to the internal parts.
- Do not use tools on the pressure regulator knob as this may cause damage. It must be operated manually.

⚠ Caution

- Be sure to unlock the knob before adjusting the pressure and lock it after setting the pressure. Failure to follow this procedure can cause damage to the knob and the outlet pressure may fluctuate.
 - Pull the pressure regulator knob to unlock. (You can visually verify this with the “orange mark” that appears in the gap.)
 - Push the pressure regulator knob to lock. When the knob is not easily locked, turn it left and right a little and then push it (when the knob is locked, the “orange mark”, i.e., the gap will disappear).



- A knob cover is available to prevent careless operation of the knob. Refer to page 112 for details.

- When the bowl is installed on the AW30-B to AW60-B, install them so that the lock button lines up to the groove of the front (or the back) of the body to avoid drop or damage of the bowl.



AC

AF+AR+AL

AW+AL

AF+AR

AF+AFM+AR

AW+AFM

Attachment

AF

AFM / AFD

AR

AL

AW

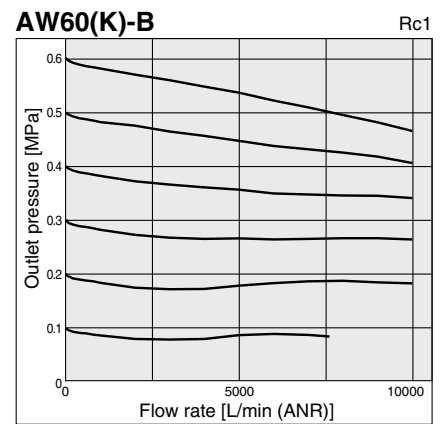
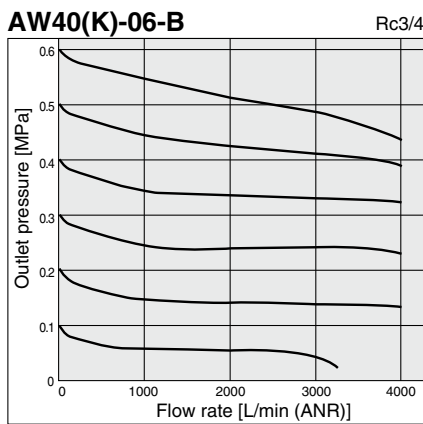
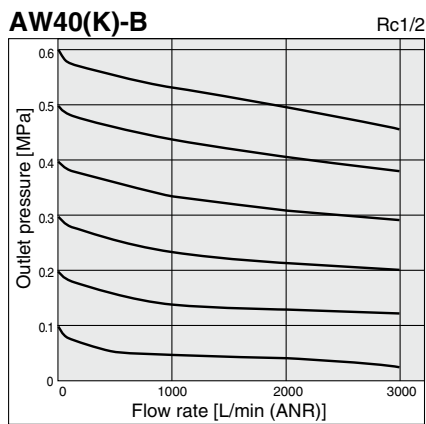
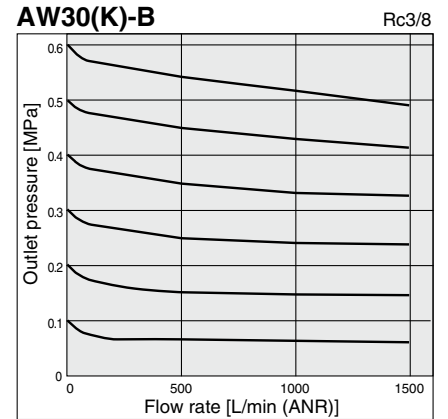
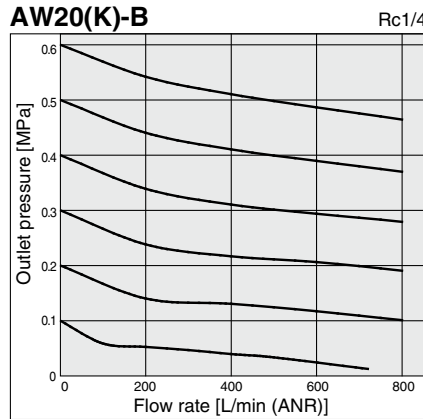
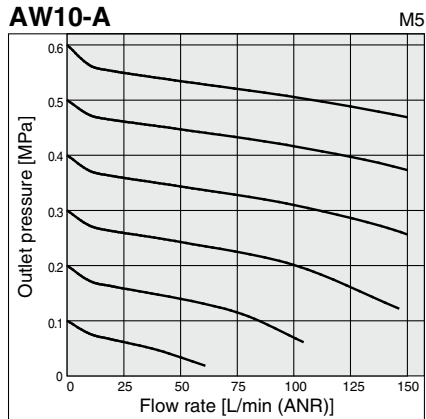
AW10-A Series

AW20-B to AW60-B Series

AW20K-B to AW60K-B Series

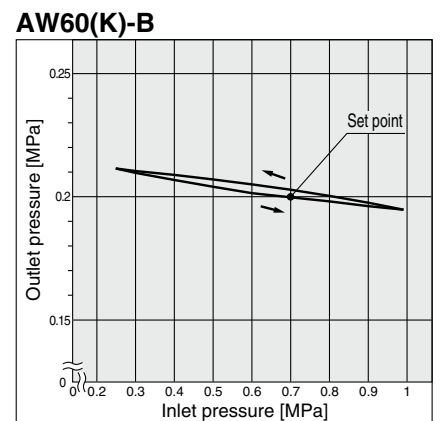
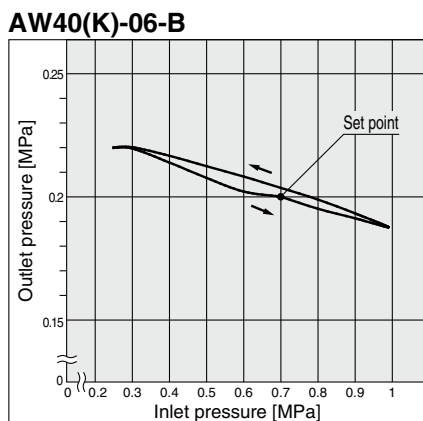
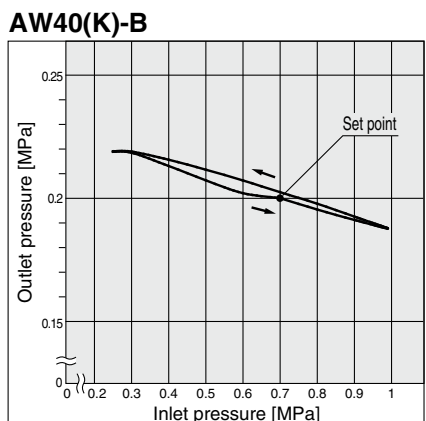
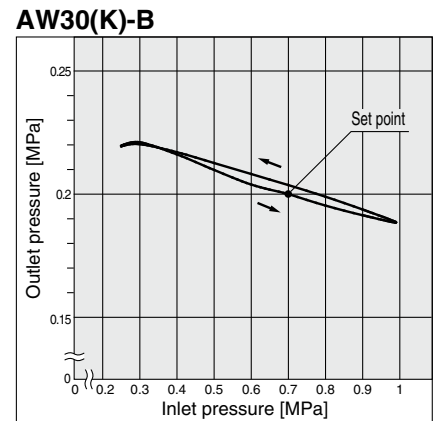
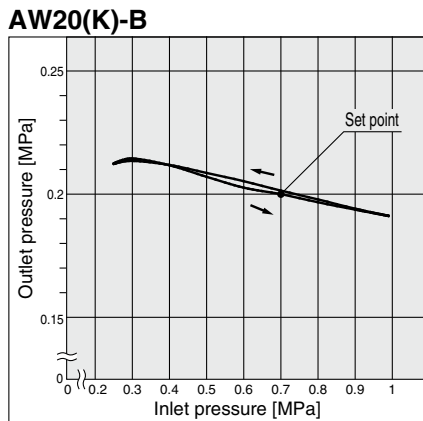
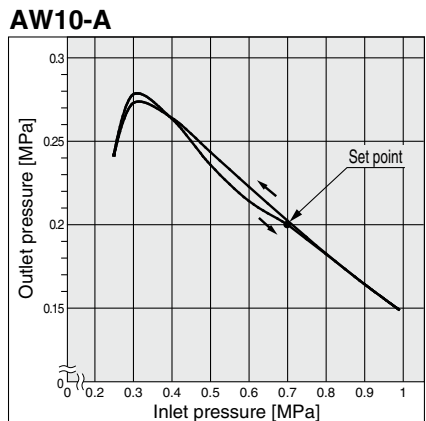
Flow Rate Characteristics (Representative values)

Condition: Inlet pressure of 0.7 MPa

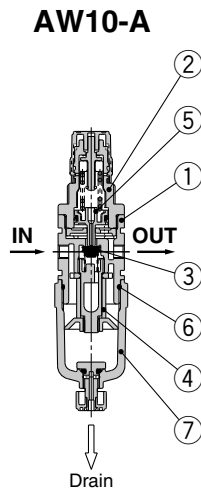


Pressure Characteristics (Representative values)

Conditions: Inlet pressure of 0.7 MPa, Outlet pressure of 0.2 MPa, Flow rate 20 L/min (ANR)



Construction



Component Parts

No.	Description	Material	Color
1	Body	Zinc die-cast	White
2	Bonnet	Polyacetal	White

Replacement Parts

No.	Description	Material	Part no.
3	Valve	HNBR	AR10P-090S
4	Filter element	Non-woven fabric	AF10P-060S
5	Piston assembly	Polyacetal	AR10P-150AS
6	Bowl O-ring	NBR	C1SFP-260S
7	Bowl assembly	Polycarbonate	C1SF-A

Working Principle (Filter Regulator with Backflow Function)

AW10-A

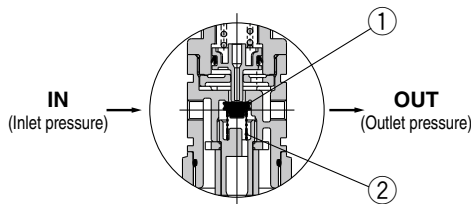


Figure 1

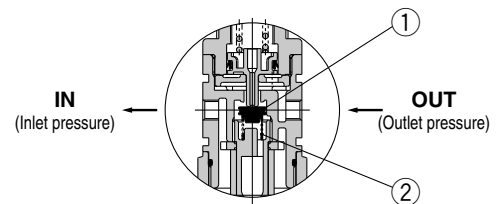


Figure 2

When the inlet pressure is higher than the regulating pressure, the check valve operates as a normal regulator (Figure 1).

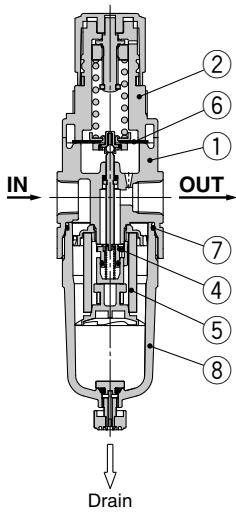
When the inlet pressure is shut off and exhausted, any inlet pressure applied to the valve ① will be lost. The force for seating the valve ① is the valve spring force ② only. When the valve ① is opened using the outlet force, the outlet pressure will be exhausted at the inlet side (Figure 2). When the set pressure is 0.15 MPa or less, the valve ① may not open due to the valve spring ② force.

AW20-B to AW60-B Series

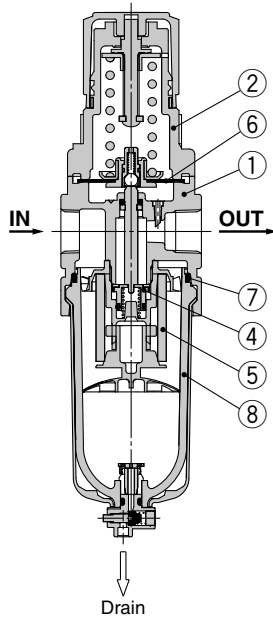
AW20K-B to AW60K-B Series

Construction

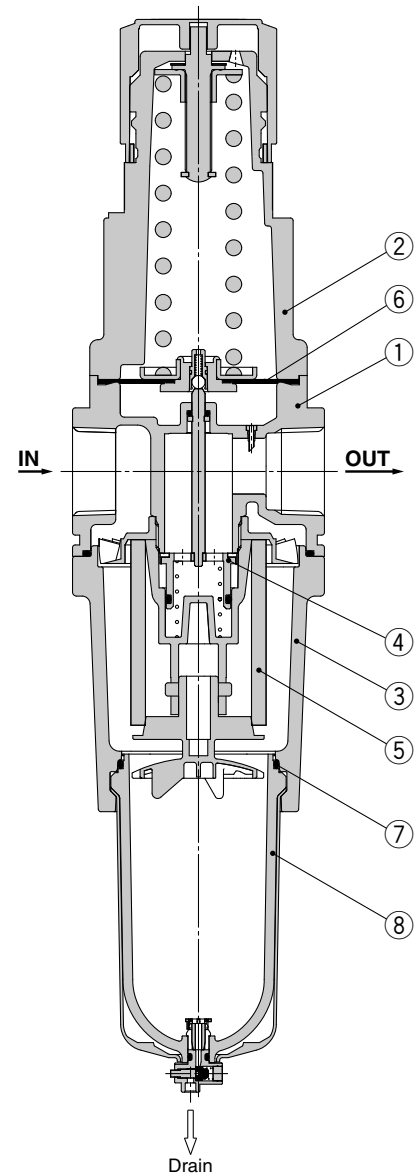
AW20(K)-B



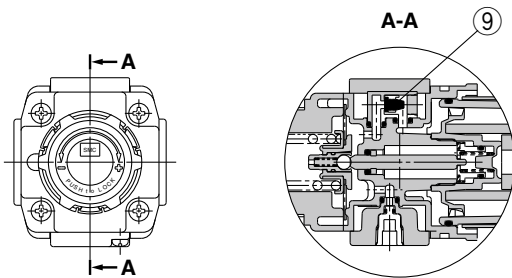
AW30(K)-B/AW40(K)-B



AW60(K)-B



AW20K-B to AW60K-B (Filter Regulator with Backflow Function)



Component Parts

No.	Description	Material	Model	Color
1	Body	Aluminum die-cast	AW20-B to AW60-B	White
2	Bonnet	Polyacetal	AW20-B to AW40-B	White
		Aluminum die-cast	AW60-B	White
3	Housing	Aluminum die-cast	AW60-B	White

Replacement Parts

No.	Description	Material	Part no.				
			AW20(K)-B	AW30(K)-B	AW40(K)-B	AW40(K)-06-B	AW60(K)-B
4	Valve assembly	Brass, HNBR	AW20P-340AS	AW30P-340AS	AW40P-340AS		AW60P-090AS
5	Filter element	Non-woven fabric	AF20P-060S	AF30P-060S	AF40P-060S		AW60P-060S
6	Diaphragm assembly	Weatherable NBR	AR20P-150AS	AR30P-150AS	AR40P-150AS		AR50P-150AS
7	Bowl seal	NBR	C2SFP-260S	C32FP-260S	C42FP-260S		
8	Bowl assembly *1	Polycarbonate	C2SF-A	C3SF-A*2	C4SF-A*2		
9	Check valve assembly *3	—	AR23KP-020AS				

*1 Bowl assembly includes the bowl O-ring.

Please consult with SMC separately for psi and °F unit display specifications.

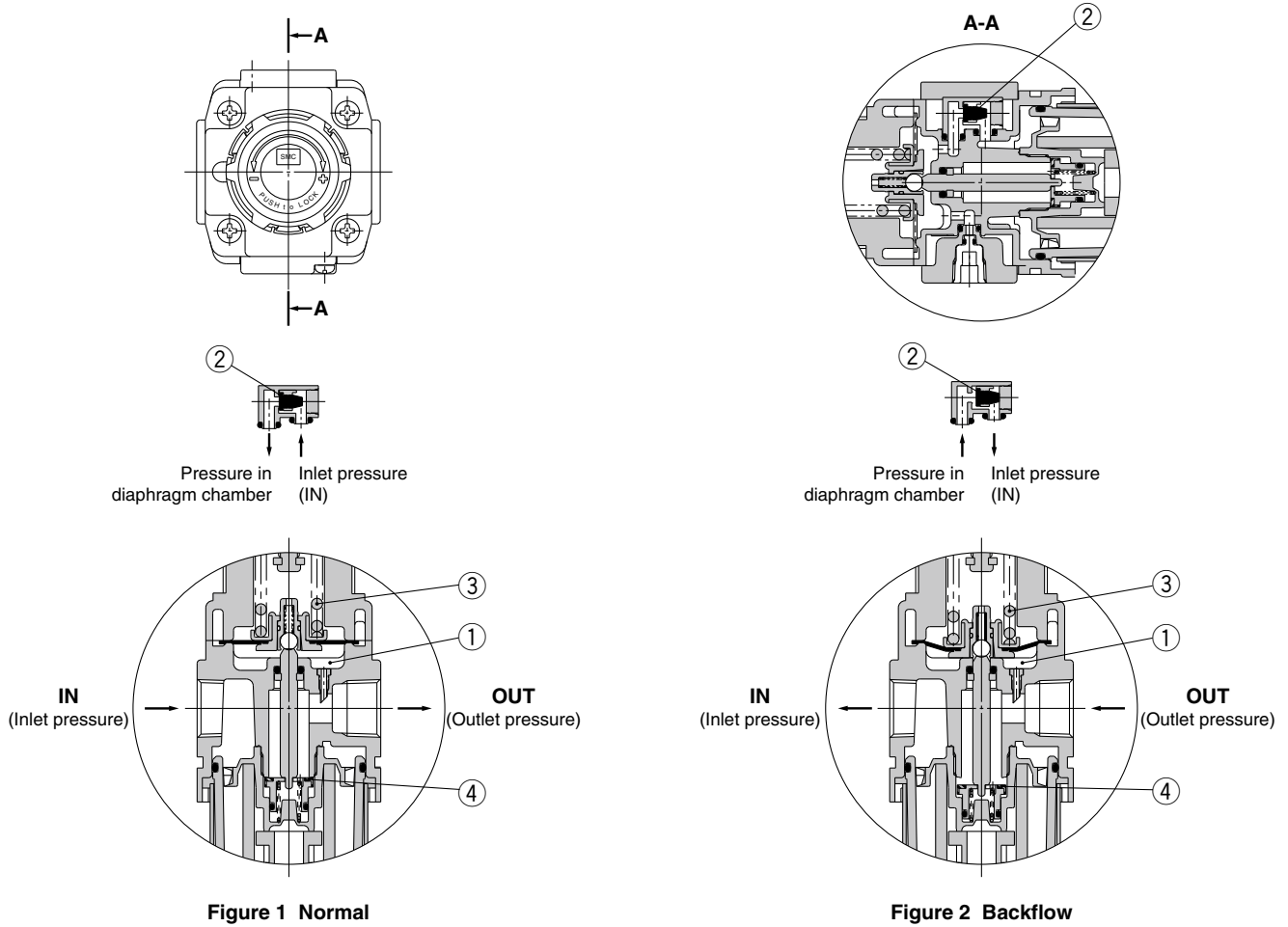
*2 Bowl assembly for the AW30(K)-B to AW60(K)-B models comes with a bowl guard (Material: Polycarbonate).

*3 Check valve assembly is applicable for a filter regulator with backflow function (AW20(K)-B to AW60(K)-B) only.

Assembly of a check valve cover, check valve body assembly and 2 mounting screws

Working Principle (Filter Regulator with Backflow Function)

AW20K-B to AW60K-B



When the inlet pressure is higher than the regulating pressure, the check valve ② closes and operates as a normal regulator (Figure 1). When the inlet pressure is shut off and released, the check valve ② opens and the pressure in the diaphragm chamber ① is released into the inlet side (Figure 2). This lowers the pressure in the diaphragm chamber ① and the force generated by the spring ③ lifts the diaphragm. The valve ④ opens through the stem, and the outlet pressure is released to the inlet side (Figure 2).

AC
AF+AR+AL
AW+AL
AF+AR
AF+AFM+AR
AW+AFM
Attachment
AF
AFM / AFD
AR
AL
AW

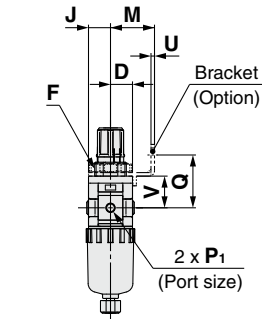
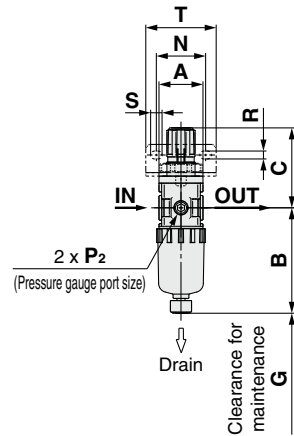
AW10-A Series

AW20-B to AW60-B Series

AW20K-B to AW60K-B Series

Dimensions

AW10-A



Panel mounting dimensions

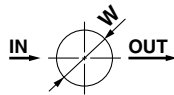
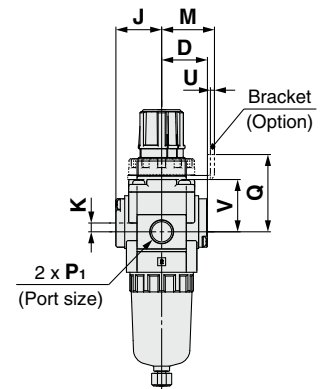
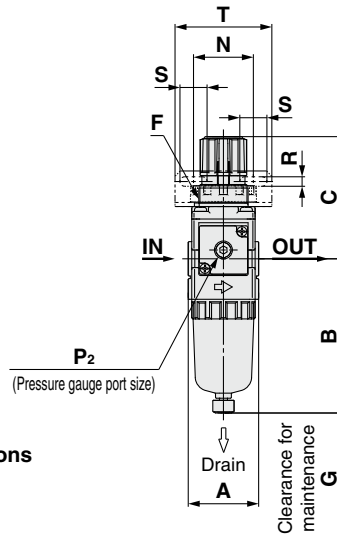


Plate thickness
AW10-A: Max. 3.5

AW20(K)-B



Panel mounting dimensions

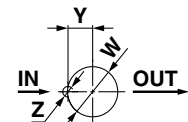
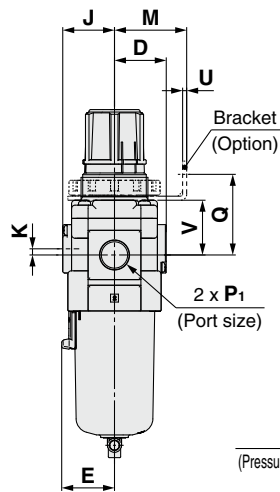
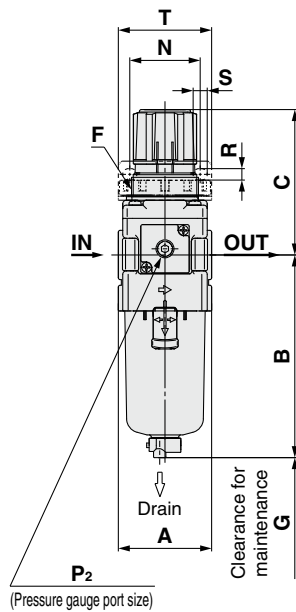


Plate thickness
AW20(K)-B: Max. 3.5

AW30(K)-B to AW40(K)-06-B



Panel mounting dimensions

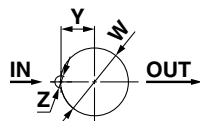
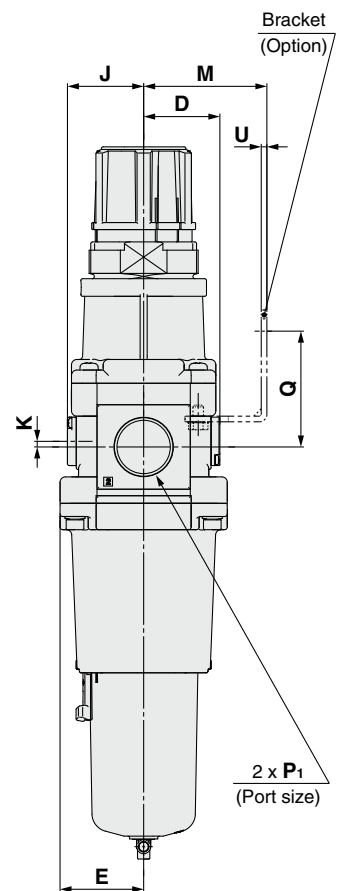
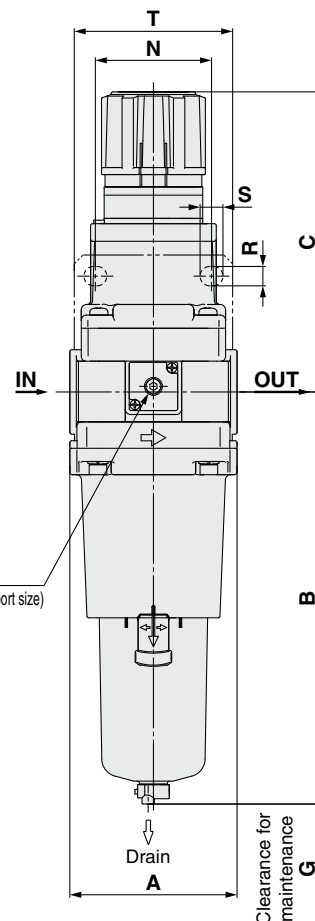


Plate thickness
AW30(K)-B: Max. 3.5
AW40(K)-B: Max. 5

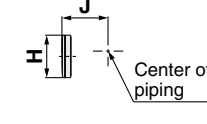
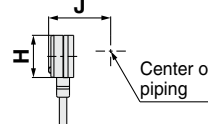
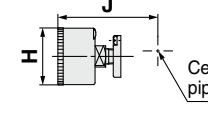
AW60(K)-B

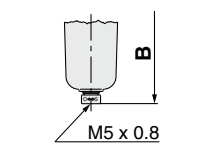
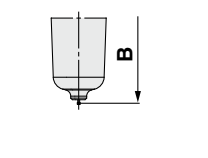
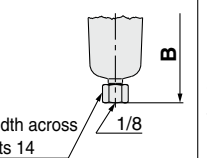
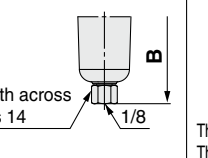
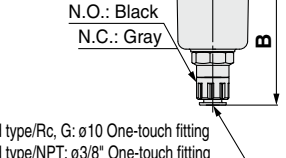


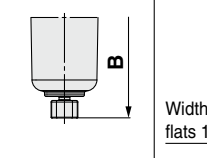
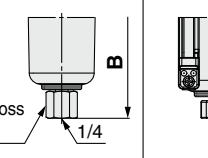
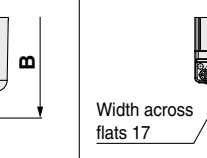

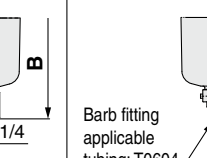

Filter Regulator **AW10-A Series**

Filter Regulator **AW20-B to AW60-B Series**

Filter Regulator with Backflow Function **AW20K-B to AW60K-B Series**

Option	Square embedded type pressure gauge	Digital pressure switch	Round type pressure gauge	Round type pressure gauge (with color zone)
Dimensions				

Applicable model	AW10-A/AW20(K)-B		AW20(K)-B		AW30(K)-B to AW60(K)-B
Optional/Semi-standard specifications	With auto drain (N.C.)	Metal bowl	With drain guide	Metal bowl with drain guide	With auto drain (N.O./N.C.)
Dimensions					

Applicable model	AW30(K)-B to AW60(K)-B					
Optional/Semi-standard specifications	Metal bowl	Metal bowl with drain guide	Metal bowl with level gauge	Metal bowl with level gauge, with drain guide	With drain guide	Drain cock with barb fitting
Dimensions						

Model	Standard specifications											Optional specifications							
												Square embedded type pressure gauge	Digital pressure switch		Round type pressure gauge		Round type pressure gauge (with color zone)		
	P ₁	P ₂	A	B	C*1	D	E	F	G	J	K	H	J	H	J	H	J	H	J
AW10-A	M5 x 0.8	1/16	25	59.9	47.4	12.5	—	M18 x 1	25	12.5	—	—	—	—	—	ø26	26	—	—
AW20(K)-B	1/8, 1/4	1/8	40	87.6	72.4	26	—	M28 x 1	40	26	5	□28	27	□27.8	37.5	ø37.5	62.5	ø37.5	63.5
AW30(K)-B	1/4, 3/8	1/8	53	115.1	85.6	29.4	30	M38 x 1.5	55	29.4	3.5	□28	30.4	□27.8	40.9	ø37.5	65.9	ø37.5	66.9
AW40(K)-B	1/4, 3/8, 1/2	1/8	70	147.1	91.7	37.3	38.4	M42 x 1.5	80	37.3	1.5	□28	38.3	□27.8	48.8	ø42.5	74.8	ø42.5	74.8
AW40(K)-06-B	3/4	1/8	75	149.1	93.2	37.3	38.4	M42 x 1.5	80	37.3	1.2	□28	38.3	□27.8	48.8	ø42.5	74.8	ø42.5	74.8
AW60(K)-B	3/4, 1	1/8	95	234.1	175.5	43.3	47.5	—	30	43.3	3.2	□28	44.3	□27.8	61.3	ø42.5	80.8	ø42.5	80.8

Model	Optional specifications												Semi-standard specifications							
	Bracket mount						Panel mount						With auto drain	With barb fitting	With drain guide	Metal bowl	Metal bowl with drain guide	Metal bowl with level gauge	Metal bowl with level gauge, with drain guide	
	M	N	Q	R	S	T	U	V	W	Y	Z	B	B	B	B	B	B	B		
AW10-A	25	28	30	4.5	6.5	40	2	18	18.5	—	—	77.9	—	—	59.3	—	—	—		
AW20(K)-B	30	34	43.9	5.4	15.4	55	2.3	29.7	28.5	14	6	104.9	—	91.4	87.4	93.9	—	—		
AW30(K)-B	41	40	45.8	6.5	8	53	2.3	31.1	38.5	19	7	156.8	123.6	121.9	117.6	122.1	137.6	142.1		
AW40(K)-B	50	54	54	8.5	10.5	70	2.3	35.5	42.5	21	7	186.9	155.6	153.9	149.6	154.1	169.6	174.1		
AW40(K)-06-B	50	54	55.5	8.5	10.5	70	2.3	37	42.5	21	7	188.9	157.6	155.9	151.6	156.1	171.6	176.1		
AW60(K)-B	70	66	65.8	11	13	90	3.2	—	—	—	—	273.9	242.6	240.9	236.6	241.1	256.6	261.1		

*1 The dimension of C is the length when the filter regulator knob is unlocked.

AC
 AF+AR+AL
 AW+AL
 AF+AR
 AF+AFM+AR
 AW+AFM
 Attachment
 AF
 AFM / AFD
 AR
 AL
 AW

AW30-B to AW60-B Filter Regulator

Made to Order



Please contact SMC for detailed dimensions, specifications and lead times.

① Special Temperature Environment

Special materials are used in the manufacturing of seals and resin parts to allow them to withstand various temperature conditions in cold or tropical (hot) climates.

Specifications

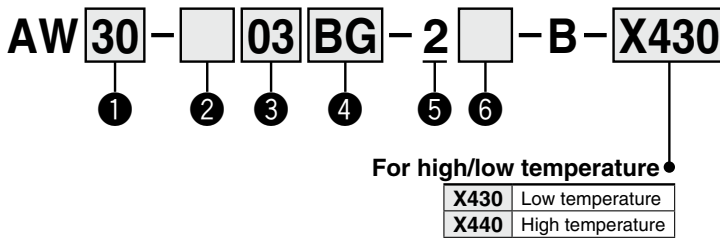
Made-to-order part no.	-X430	-X440
Environment	Low temperature	High temperature
Ambient temperature [°C]	-30 to 60	-5 to 80
Fluid temperature [°C]	-5 to 60 (with no freezing)	
Material	Rubber parts	Special NBR
	Main parts	FKM
	Metal (Aluminum die-cast, etc.)	



AW30-03-2-B-X440

Applicable Model

Model	AW30-B	AW40-B	AW40-06-B	AW60-B
Port size	1/4, 3/8	1/4, 3/8, 1/2	3/4	3/4, 1



- Option/Semi-standard: Select one each for **a** to **g**.
- Option/Semi-standard symbol: When more than one specification is required, indicate in alphanumeric order.
Example) AW30-03BG-2N-B-X430

	Symbol	Description	① Body size			
			30	40	60	
② Pipe thread type	Nil	Rc	●	●	●	
	N	NPT	●	●	●	
	F	G	●	●	●	
+						
③ Port size	02	1/4	●	●	—	
	03	3/8	●	●	—	
	04	1/2	—	●	—	
	06	3/4	—	●	●	
	10	1	—	—	●	
+						
④ Option*1	a Mounting	Nil	Without mounting option	●	●	●
		B*2	With bracket	●	●	●
		H	With set nut (for panel mount)	●	●	—
+						
b Pressure gauge	Nil	Without pressure gauge	●	●	●	
	G*3	Round type pressure gauge (without limit indicator)	●	●	●	
+						
⑤ Bowl *4	2	Metal bowl	●	●	●	
+						
c Set pressure	Nil	0.05 to 0.85 MPa setting	●	●	●	
	1*5	0.02 to 0.2 MPa setting	●	●	●	
+						
d Drain port	Nil	With drain cock	●	●	●	
	J*6	Drain guide 1/4	●	●	●	
+						
e Exhaust mechanism	Nil	Relieving type	●	●	●	
	N	Non-relieving type	●	●	●	
+						
f Flow direction	Nil	Flow direction: Left to right	●	●	●	
	R	Flow direction: Right to left	●	●	●	
+						
g Pressure unit	Nil	Name plate, caution plate for bowl, and pressure gauge in SI units: MPa	●	●	●	
	Z*7	Name plate, caution plate for bowl, and pressure gauge in imperial units: psi, °F	○*8	○*8	○*8	

*1 Options B, G, H are not assembled and supplied loose at the time of shipment.

*2 Assembly of a bracket and set nuts (AW30-B to AW40-B)
Including 2 mounting screws for the AW60-B

*3 Mounting thread for pressure gauge: 1/8, Pressure gauge type: G43

*4 Only metal bowl 2 is available.

*5 The only difference from the standard specifications is the spring for the regulator. It does not restrict the setting of 0.2 MPa or more. When the pressure gauge is attached, a 0.4 MPa pressure gauge will be fitted.

*6 Without a valve function

*7 For pipe thread type: NPT. This product is for overseas use only according to the new Measurement Act. (The SI unit type is provided for use in Japan.)

*8 ○: For pipe thread type: NPT only

AC
AF+AR+AL
AW+AL
AF+AR
AF+AFM+AR
AW+AFM
Attachment
AF
AFM / AFD
AR
AL
AW

AW20-B to AW60-B Filter Regulator

Made to Order

Please contact SMC for detailed dimensions, specifications and lead times.



② High Pressure

Strong materials are used in the manufacturing of filter regulators intended for high pressure operation. Also, construction modification allows a wider set pressure range.

Specifications

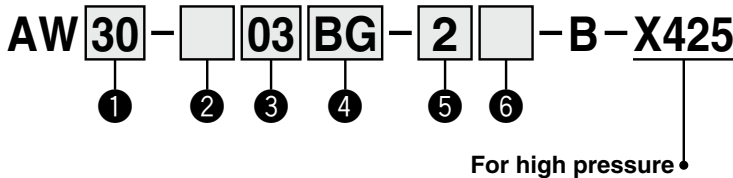
Made-to-order part no.	-X425
Proof pressure [MPa]	3.0
Maximum operating pressure [MPa]	2.0
Set pressure range [MPa]	0.1 to 1.7
Ambient and fluid temperature [°C]	-5 to 60°C (with no freezing)



AW30-03-2-B-X425

Applicable Model

Model	AW20-B	AW30-B	AW40-B	AW40-06-B	AW60-B
Port size	1/8, 1/4	1/4, 3/8	1/4, 3/8, 1/2	3/4	3/4, 1



- Option/Semi-standard: Select one each for a to f.
- Option/Semi-standard symbol: When more than one specification is required, indicate in alphanumeric order.
Example) AW30-03BG-2**1**-B-X425

	Symbol	Description	① Body size				
			20	30	40	60	
② Pipe thread type	Nil	Rc	●	●	●	●	
	N	NPT	●	●	●	●	
	F	G	●	●	●	●	
③ Port size	01	1/8	●	—	—	—	
	02	1/4	●	●	—	—	
	03	3/8	—	●	●	—	
	04	1/2	—	—	●	—	
	06	3/4	—	—	●	●	
	10	1	—	—	—	●	
④ Option *1	a Mounting	Nil	Without mounting option	●	●	●	●
		B*2	With bracket	●	●	●	●
		H	With set nut (for panel mount)	●	●	●	—
	b Pressure gauge	Nil	Without pressure gauge	●	●	●	●
G*3		Round type pressure gauge (with limit indicator)	●	●	●	●	
⑤ Bowl *4	2	Metal bowl	●	●	●	●	
	8	Metal bowl with level gauge	—	●	●	●	
⑥ Semi-standard	c Exhaust mechanism	Nil	Relieving type	●	●	●	●
		N	Non-relieving type	●	●	●	●
	d Drain port	Nil	With drain cock	●	●	●	●
		J*5	Drain guide 1/8	●	—	—	—
		J*5	Drain guide 1/4	—	●	●	●
	e Flow direction	Nil	Flow direction: Left to right	●	●	●	●
		R	Flow direction: Right to left	●	●	●	●
	f Pressure unit	Nil	Name plate, caution plate for bowl, and pressure gauge in SI units: MPa	●	●	●	●
Z*6		Name plate, caution plate for bowl, and pressure gauge in imperial units: psi, °F	○*7	○*7	○*7	○*7	

*1 Options B, G, H are not assembled and supplied loose at the time of shipment.

*2 Assembly of a bracket and set nuts (AW20-B to AW40-B)
Including 2 mounting screws for the AW60-B

*3 Mounting thread for pressure gauge: 1/8, Pressure gauge type: G46-20-□

*4 Only metal bowl 2 and 8 are available.

*5 Without a valve function

*6 For pipe thread type: NPT. This product is for overseas use only according to the new Measurement Act. (The SI unit type is provided for use in Japan.)

*7 ○: For pipe thread type: NPT only

AW10 Filter Regulator Made to Order

Please contact SMC for detailed dimensions, specifications and lead times.



Refer to page 109 and after for size 20 or more.

③ 0.4 MPa Setting

The setting specification is 0.4 MPa. When a pressure gauge is included, the display will show a range from 0 to 1.0 MPa.

Specifications

Made-to-order part no.	-X406
Proof pressure [MPa]	1.5
Maximum operating pressure [MPa]	1.0
Set pressure range [MPa] *1	0.05 to 0.4

*1 Pressure can be set higher than the specification pressure in some cases, but use pressure within the specification range.

Applicable Model

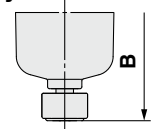
Model	AW10
Port size	M5

④ Long Bowl

Drain capacity is greater than that of standard models.

Applicable Model/Drain Capacity

Model	AW10
Port size	M5
Drain capacity [cm ³]	9
B dimension [mm] *1	81.6



*1 For polycarbonate bowls. Please contact SMC for other bowl materials.

How to Order

AW 10 - M5 - - **A** - **X406**

①

②

X406	0.4 MPa setting
X64	Long bowl

- Option/Semi-standard: Select one each for **a** to **g**.
- Option/Semi-standard symbol: When more than one specification is required, indicate in alphanumeric order.
Example) AW10-M5BG-NR-A-X406

⚠ Caution

- The AW10 comes with a backflow function as a standard feature. When using the AW10 as with backflow function, backflow may not occur with the set pressure of 0.15 MPa or less. Please set the inlet pressure to at least 0.05 MPa higher than the set pressure.

		Symbol	Description	
①	Option *2	a	Mounting	Nil Without mounting option
			B *3 With bracket	
			H With set nut (for panel mount)	
	b	Float type auto drain	Nil Without auto drain	
		C Float type auto drain (N.C.)		
		+		
c	Pressure gauge *4	Nil Without pressure gauge		
		G Round type pressure gauge (without limit indicator)		
②	Semi-standard	d	Bowl *5	Nil Polycarbonate bowl
			2 Metal bowl	
			6 Nylon bowl	
		+		
	e	Exhaust mechanism	Nil Relieving type	
			N Non-relieving type	
	+			
	f	Flow direction	Nil Flow direction: Left to right	
			R Flow direction: Right to left	
	+			
g	Pressure unit	Nil Name plate, caution plate for bowl, and pressure gauge in SI units: MPa		
		Z *6 Name plate, caution plate for bowl, and pressure gauge in imperial units: psi, °F		

*2 Options B, G, H are not assembled and supplied loose at the time of shipment.

*3 Assembly of a bracket and set nuts.

*4 A 1.0 MPa pressure gauge will be fitted.

*5 Refer to chemical data on page 98 when selecting a bowl material.

*6 This product is for overseas use only according to the new Measurement Act. (The SI unit type is provided for use in Japan.)

	0.4 MPa Setting	Long Bowl
Body size	10	10
	●	●
	●	●
	●	●
	●	—
	●	—
	●	●
	●	●
	●	●
	●	●
	●	●
	●	●
	●	●
	●	●
	●	●

AC
AF+AR+AL
AW+AL
AF+AR
AF+AFM+AR
AW+AFM
Attachment
AF
AFM / AFD
AR
AL
AW

AC

AF+AR+AL

AW+AL

AF+AR

AF+AFM+AR

AW+AFM

Attachment

AF

AFM / AFD

AR

AL

AW

0.4 MPa Setting **Long Bowl**

	Symbol	Description	①				①				
			Body size				Body size				
			20	30	40	60	20	30	40	60	
6	d	Set pressure	Nil	0.05 to 0.85 MPa setting							
			1*8	0.02 to 0.2 MPa setting							
	e	Bowl *9		Nil	Polycarbonate bowl						
				2	Metal bowl						
				6	Nylon bowl						
				8	Metal bowl with level gauge						
				C	With bowl guard						
				6C	With bowl guard (Nylon bowl)						
	f	Drain port *10		Nil	With drain cock						
				J*11	Drain guide 1/8						
				W*12	Drain cock with barb fitting: For ø6 x ø4 nylon tube						
	g	Exhaust mechanism		Nil	Relieving type						
				N	Non-relieving type						
	h	Flow direction		Nil	Flow direction: Left to right						
				R	Flow direction: Right to left						
i	Pressure unit		Nil	Name plate, caution plate for bowl, and pressure gauge in SI units: MPa							
			Z*13	Name plate, caution plate for bowl, and pressure gauge in imperial units: psi, °F							
			ZA*14	Digital pressure switch: With unit selection function							

*8 The only difference from the standard specifications is the adjusting spring for the regulator. It does not restrict the setting of 0.2 MPa or more. When the pressure gauge is attached, a 0.4 MPa pressure gauge will be fitted.

*9 Refer to chemical Data on page 98 when selecting a bowl material.

*10 Float type auto drain: The combination of C and D is not possible.

*11 Without a valve function

*12 Metal bowl: The combination of 2 and 8 is not possible.

*13 For pipe thread type: NPT. This product is for overseas use only according to the new Measurement Act. (The SI unit type is provided for use in Japan.) The digital pressure switch will be equipped with the unit selection function, setting to psi initially.

*14 For options: E1, E2, E3, E4. This product is for overseas use only according to the new Measurement Act. (The SI unit is provided for use in Japan.)

*15 ○: For pipe thread type: NPT only

*16 △: Select with options: E1, E2, E3, E4.

AW20-B to AW60-B Filter Regulator AW20K-B to AW60K-B Filter Regulator with Backflow Function Made to Order

Please contact SMC for detailed dimensions, specifications and lead times.



⑤ Clean Series

For details, refer to the Clean Series/Low Particle Generation section of the **Web Catalog**.

10 - **Standard model no.**

* Please contact SMC if a product with pressure gauge is desired.

• Clean Series



⑥ Copper, Fluorine and Silicone-free + Low Particle Generation

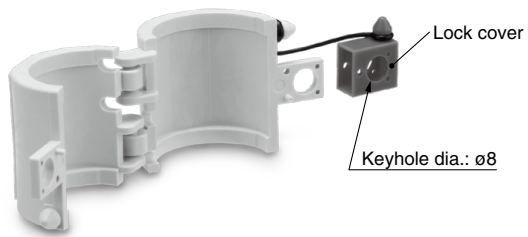
For details, refer to the Clean Series/Low Particle Generation section of the **Web Catalog**.

21 - **Standard model no.**

• Copper, fluorine and silicone-free + Low particle generation

Option Knob Cover

Prevents careless knob operation.



Part no.	Applicable model
AR20P-580AS	AC20□-B, AR20(K)-B, AW20(K)-B
AR25P-580AS	AC25□-B, AR25(K)-B
AR30P-580AS	AC30□-B, AR30(K)-B, AW30(K)-B
AR40P-580AS	AC40□(-06)-B, AR40(K)(-06)-B, AW40(K)(-06)-B

AC

AF+AR+AL

AW+AL

AF+AR

AF+AFM+AR

AW+AFM

Attachment

AF

AFM / AFD


AR


AL


AW

Safety Instructions

These safety instructions are intended to prevent hazardous situations and/or equipment damage. These instructions indicate the level of potential hazard with the labels of “**Caution**,” “**Warning**” or “**Danger**.” They are all important notes for safety and must be followed in addition to International Standards (ISO/IEC)*1), and other safety regulations.

 **Caution:** **Caution** indicates a hazard with a low level of risk which, if not avoided, could result in minor or moderate injury.

 **Warning:** **Warning** indicates a hazard with a medium level of risk which, if not avoided, could result in death or serious injury.

 **Danger:** **Danger** indicates a hazard with a high level of risk which, if not avoided, will result in death or serious injury.

*1) ISO 4414: Pneumatic fluid power – General rules relating to systems.
ISO 4413: Hydraulic fluid power – General rules relating to systems.
IEC 60204-1: Safety of machinery – Electrical equipment of machines.
(Part 1: General requirements)
ISO 10218-1: Manipulating industrial robots – Safety.
etc.

Warning

1. The compatibility of the product is the responsibility of the person who designs the equipment or decides its specifications.

Since the product specified here is used under various operating conditions, its compatibility with specific equipment must be decided by the person who designs the equipment or decides its specifications based on necessary analysis and test results. The expected performance and safety assurance of the equipment will be the responsibility of the person who has determined its compatibility with the product. This person should also continuously review all specifications of the product referring to its latest catalog information, with a view to giving due consideration to any possibility of equipment failure when configuring the equipment.

2. Only personnel with appropriate training should operate machinery and equipment.

The product specified here may become unsafe if handled incorrectly. The assembly, operation and maintenance of machines or equipment including our products must be performed by an operator who is appropriately trained and experienced.

3. Do not service or attempt to remove product and machinery/equipment until safety is confirmed.

1. The inspection and maintenance of machinery/equipment should only be performed after measures to prevent falling or runaway of the driven objects have been confirmed.
2. When the product is to be removed, confirm that the safety measures as mentioned above are implemented and the power from any appropriate source is cut, and read and understand the specific product precautions of all relevant products carefully.
3. Before machinery/equipment is restarted, take measures to prevent unexpected operation and malfunction.

4. Contact SMC beforehand and take special consideration of safety measures if the product is to be used in any of the following conditions.

1. Conditions and environments outside of the given specifications, or use outdoors or in a place exposed to direct sunlight.
2. Installation on equipment in conjunction with atomic energy, railways, air navigation, space, shipping, vehicles, military, medical treatment, combustion and recreation, or equipment in contact with food and beverages, emergency stop circuits, clutch and brake circuits in press applications, safety equipment or other applications unsuitable for the standard specifications described in the product catalog.
3. An application which could have negative effects on people, property, or animals requiring special safety analysis.
4. Use in an interlock circuit, which requires the provision of double interlock for possible failure by using a mechanical protective function, and periodical checks to confirm proper operation.

Caution

1. The product is provided for use in manufacturing industries.

The product herein described is basically provided for peaceful use in manufacturing industries.
If considering using the product in other industries, consult SMC beforehand and exchange specifications or a contract if necessary.
If anything is unclear, contact your nearest sales branch.

Limited warranty and Disclaimer/ Compliance Requirements

The product used is subject to the following “Limited warranty and Disclaimer” and “Compliance Requirements”.

Read and accept them before using the product.

Limited warranty and Disclaimer

1. The warranty period of the product is 1 year in service or 1.5 years after the product is delivered, whichever is first.*2)
Also, the product may have specified durability, running distance or replacement parts. Please consult your nearest sales branch.
2. For any failure or damage reported within the warranty period which is clearly our responsibility, a replacement product or necessary parts will be provided.
This limited warranty applies only to our product independently, and not to any other damage incurred due to the failure of the product.
3. Prior to using SMC products, please read and understand the warranty terms and disclaimers noted in the specified catalog for the particular products.

*2) Vacuum pads are excluded from this 1 year warranty.

A vacuum pad is a consumable part, so it is warranted for a year after it is delivered.
Also, even within the warranty period, the wear of a product due to the use of the vacuum pad or failure due to the deterioration of rubber material are not covered by the limited warranty.

Compliance Requirements

1. The use of SMC products with production equipment for the manufacture of weapons of mass destruction (WMD) or any other weapon is strictly prohibited.
2. The exports of SMC products or technology from one country to another are governed by the relevant security laws and regulations of the countries involved in the transaction. Prior to the shipment of a SMC product to another country, assure that all local rules governing that export are known and followed.

Caution

SMC products are not intended for use as instruments for legal metrology.

Measurement instruments that SMC manufactures or sells have not been qualified by type approval tests relevant to the metrology (measurement) laws of each country. Therefore, SMC products cannot be used for business or certification ordained by the metrology (measurement) laws of each country.

Revision History

Edition B * Made to order added.
(Long bowl, 0.4 MPa setting, With element service indicator, High pressure, Low temperature, High temperature, Clean series, and Copper, fluorine, and silicone-free + Low particle generation)
* AL30 to 60 (1000 cm³ tank) added.
* Number of pages increased from 100 to 116.

UU

Safety Instructions

Be sure to read the “Handling Precautions for SMC Products” (M-E03-3) and “Operation Manual” before use.