

Modular Connection Type

Compressed Air Preparation Filter

RoHS

Compressed Air Purity Class ISO 8573

Solid/Oil Separation
Deodorization

Line Filter *AFF Series*

1 μm Water droplet removal

Mist Separator *AM Series*

0.1 μm Oil mist separation and removal

Micro Mist Separator *AMD Series*

0.01 μm Oil mist separation and removal

Activated Carbon Filter *AMK Series*

0.003 mg/m³ Oil vapor and odor removal

Flow capacity L/min (ANR)

20	Up to 300
30	Up to 750
40	Up to 1500
50	Up to 2200
60	Up to 3700

Weight reduced by 50% p. 4

AFF/AM/AMD20-D: 0.19 kg (Existing model: 0.38 kg)

Modular connection is possible. p. 1

Face-to-face and depth dimensions reduced by 30%

AFF/AM□30-D: □53 mm (Existing model: □76 mm)



New With clogging switch p. 3

The clogging status can be identified by the switch output.



AFF/AM/AMD/AMK Series

SMC

CAT.ES30-22D

Reduced pressure drop contributes to energy saving.

AMD AMK

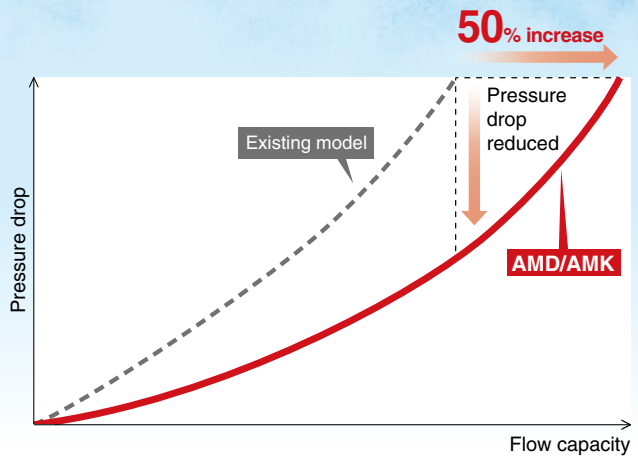
Flow capacity

3700 L/min (ANR)

Pressure drop

Max. 50% reduction

AMD40: 6.8 kPa (Existing model AMD350C: 13.6 kPa)
AMK40: 4.7 kPa (Existing model AMF350C: 9.4 kPa)



Space-saving design and reduced piping labor

AFF Series

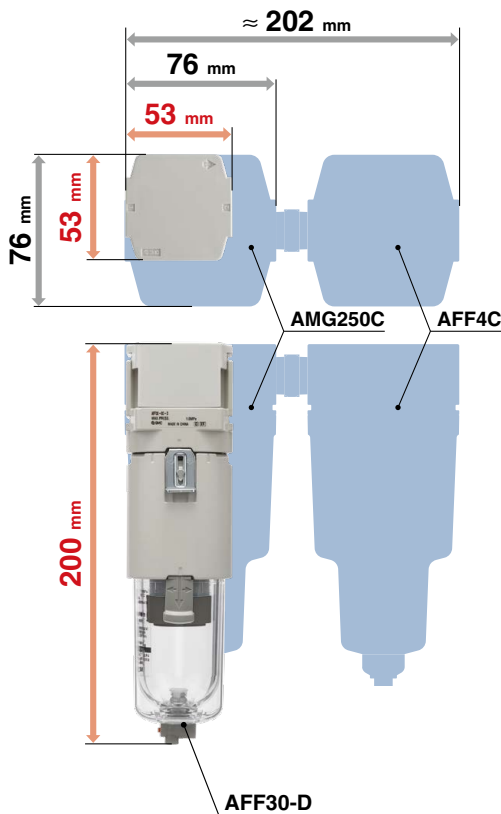
AFF

	AMG250C + AFF4C	AFF30-D
Face-to-face dimension	≈ 202 mm	53 mm

→ **Approx. 150 mm reduction**

The AFF series line filter removes both water droplets and solid particles. It can eliminate*1 a separate filter for removing water droplets (water separator, AMG series), thus greatly reducing the face-to-face dimension and also reducing the required installation space and piping work.

*1 When used within the product's specification range

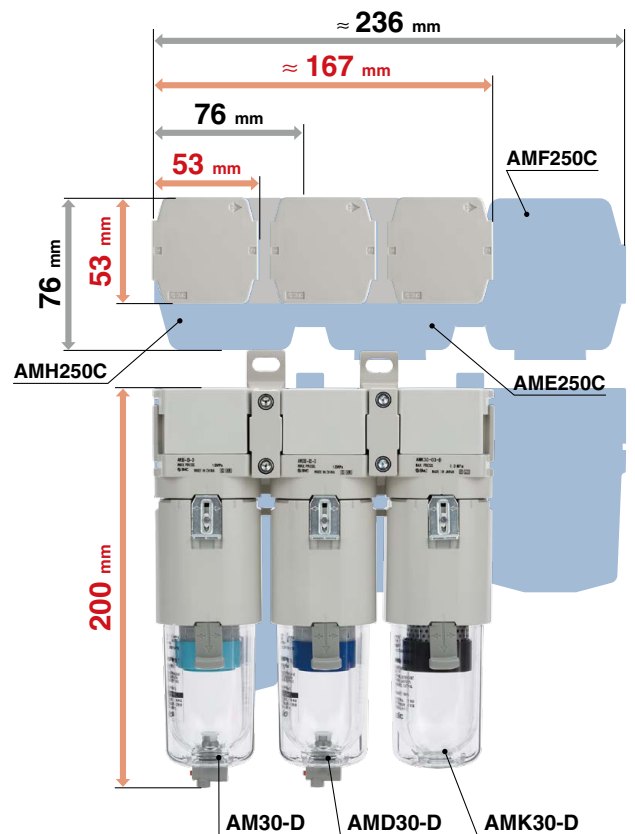


Modular connection (AM + AMD + AMK)

AM AMD AMK

	AMH250C + AME250C + AMF250C	AM30-D + AMD30-D + AMK30-D
Face-to-face dimension	≈ 236 mm	≈ 167 mm
Weight	1.51 kg	1.17 kg
Flow capacity	500 L/min (ANR)	750 L/min (ANR)

→ **Approx. 69 mm reduction**
23% reduction
50% increase



The differential pressure check mode (PSE200A series) allows for the quantification of the clogging state of each filter element.

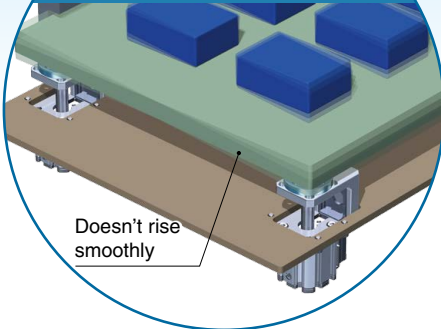
As the filter element does its job, the amount of clogging will gradually increase, resulting in a **drop in the pressure**. Ignoring this will lead to **energy loss**.



More information can be viewed here.

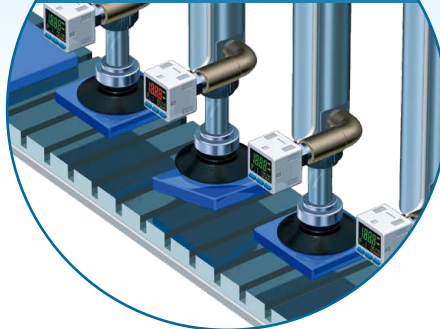
Example 1

Reduced thrust due to pressure drop



Example 2

Adsorption errors due to reduced flow rate



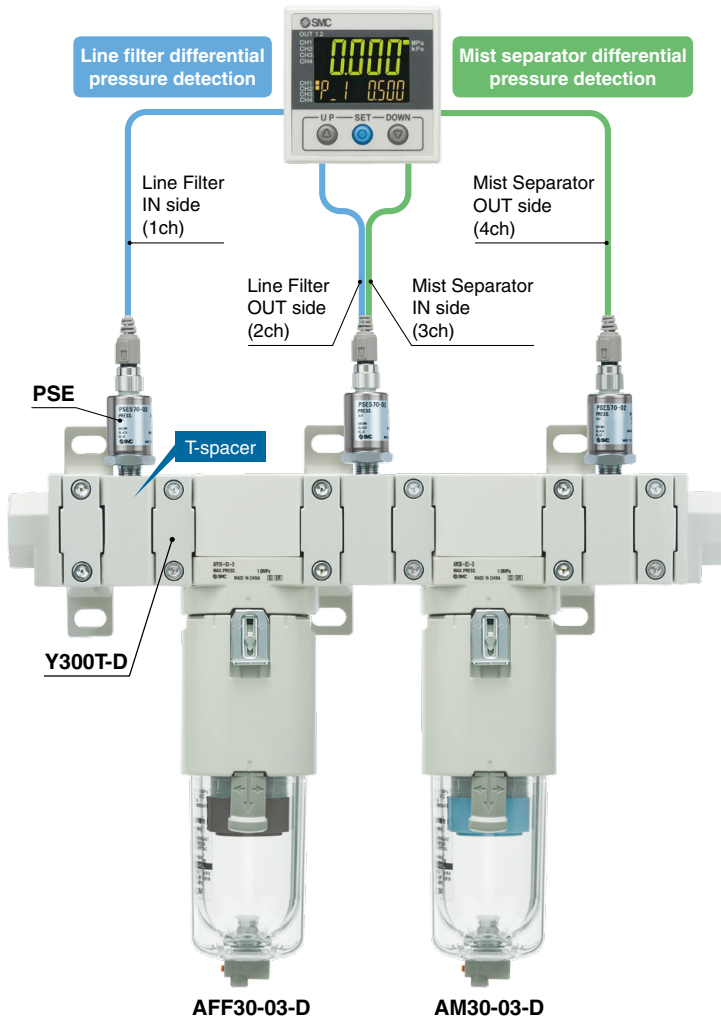
Element replacement period

Within **2 years***1 of the start of use
or
Before the differential pressure reaches **0.1 MPa**

*1 Within 1 year for the AMK series

In order to prevent the above

The differential pressure of 2 filters can be managed by a **single unit**.

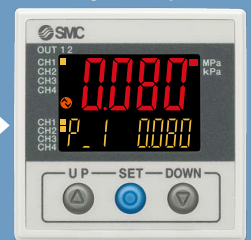


The differential pressure value to be output can be set freely according to the customer's system conditions.

[Ex.] When the differential pressure value to be output is set to 0.08 MPa]

Continuously monitored remotely via IO-Link communication

Once 0.08 MPa is reached, a signal is output.



Related Product

Multi-channel Digital Sensor Monitor
PSE200A Series



More information can be viewed here.



Easier replacement of the element

AFF AM AMD AMK

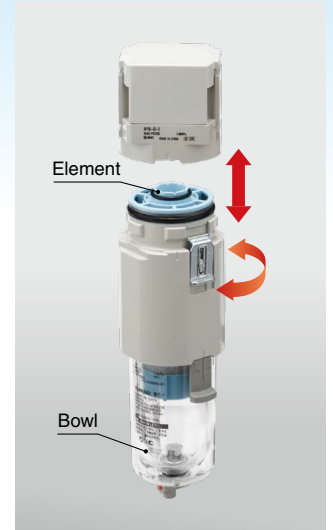
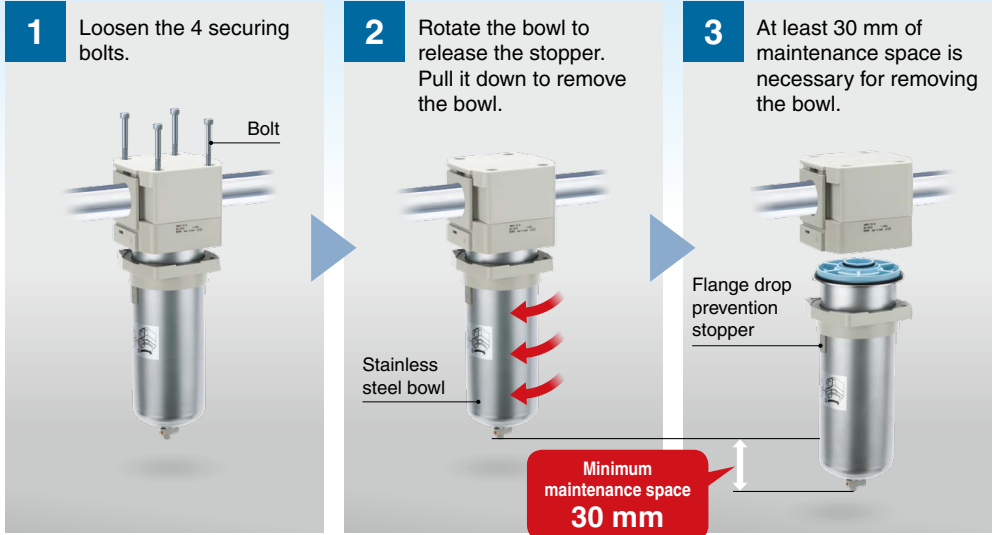
Size 50/60 The stopper function prevents the bowl from falling.

The bowl will not fall even if the bolts are loosened. It is not necessary to hold the bowl when removing the bolts. Safe and secure mounting and removing of the bowl with both hands is possible. The lightweight stainless steel bowl with reduced thickness allows for easier element replacement.

Size 20 to 40

No tools are required.

Easy replacement of the element is possible as the element and the bowl are in one piece. Replacement can be done in hand.



Element replacement notification

AFF AM AMD

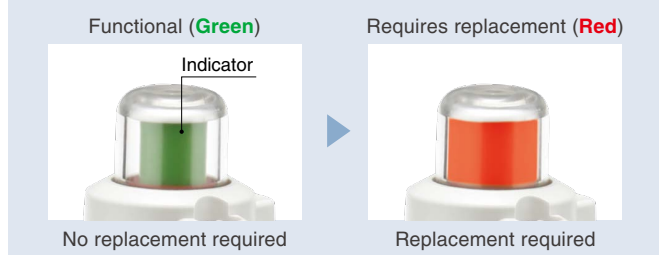
New With clogging switch

The clogging status can be identified by the switch output.



With element service indicator

The clogging status can be checked visually (green/red).



Lightweight



Weight

Max. **50% lighter***1

0.19 kg ← 0.38 kg

*1 Compared with existing products (AFF□C, AM□C, and AMD□C series)

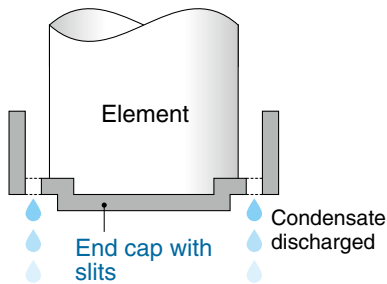
*2 Compared with existing products (AMF□C series)

Series	Size	Weight [kg]	Reduction rate [%]
AFF/AM/AMD*1	20	0.19 ← 0.38	50
	30	0.39 ← 0.55	29
	40	0.79 ← 0.9	12
	50	1.23 ← 1.4	12
	60	1.46 ← 2.1	30
AMK*2	20	0.19 ← 0.3	37
	30	0.39 ← 0.48	19
	40	0.79 ← 0.8	1.3
	50	1.25 ← 1.3	4
	60	1.50 ← 2.0	25

Color-identifiable elements



This eliminates the accumulation of condensate. Even high-velocity fluid is not spattered. The result is a compact bowl design.



Condensate is not accumulated, so no water flows to the downstream side.



Transparent bowl guard (2-layer construction)*1



- The inside is visible from 360°.
- The bowl is completely protected from the environment, allowing for improved safety.



Material: Polycarbonate

Material: Polycarbonate

*1 Size 20 to 40 only





Improved flow capacity



Increased by up to **50%**

Size	New AMK	AMF	[L/min(ANR)]
			Improvement rate [%]
20	300	200	50
30	750	500	50
40	1500	1000	50
50	2200	2000	10

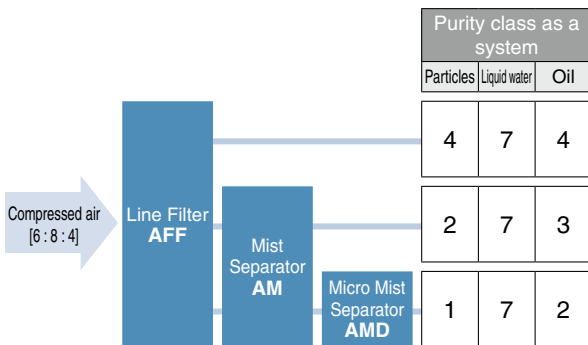
Variations

Series	Size	Port size						Flow capacity L/min (ANR)	Option/ Accessory
		1/8	1/4	3/8	1/2	3/4	1		
AFF Series <small>p. 8</small> Line Filter Large dust particle filtration, Water droplet separation Water droplet removal ratio: 99% Nominal filtration rating: 1 µm [Filtration efficiency: 99%]  Gray	20	●	●					300	
	30		●	●				750	
	40		●	●	●			1500	
	50					●	●	2200	
	60						●	3700	
AM Series <small>p. 8</small> Mist Separator Dust filtration, Oil mist separation Nominal filtration rating: 0.1 µm [Filtration efficiency: 99%] Oil mist concentration on the outlet side: Max. 1.0 mg/m ³ [= 0.8 ppm]  Light blue	20	●	●					300	- Bracket - Auto drain - Element service indicator - Clogging switch
	30		●	●				750	
	40		●	●	●			1500	
	50					●	●	2200	
	60						●	3700	
AMD Series <small>p. 8</small> Micro Mist Separator Dust filtration, Oil mist separation Nominal filtration rating: 0.01 µm [Filtration efficiency: 99.9%] Oil mist concentration on the outlet side: Max. 0.1 mg/m ³ [= 0.08 ppm]  Blue	20	●	●					300	
	30		●	●				750	
	40		●	●	●			1500	
	50					●	●	2200	
	60						●	3700	
AMK Series <small>p. 20</small> Activated Carbon Filter Removes oil vapor and odor from compressed air Oil concentration on the outlet side: Max. 0.003 mg/m ³ [= 0.0025 ppm]  Dark gray	20	●	●					300	- Bracket
	30		●	●				750	
	40		●	●	●			1500	
	50					●	●	2200	
	60						●	3700	

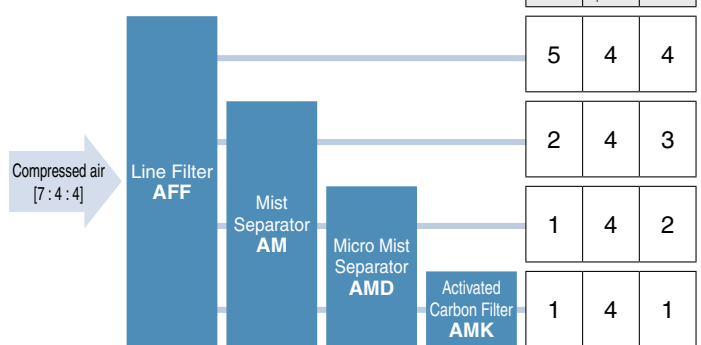
Compliant with ISO 8573 Compressed Air Purity Class

Systems which are in compliance with the degree of purity required for compressed air (For details → page 31)

System example 1)



System example 2)

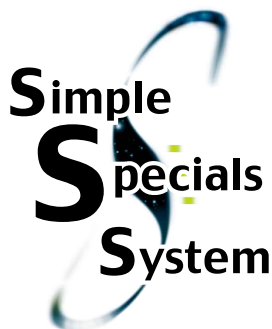


Certified by a third party organization

Contaminants	ISO 12500: Filters for compressed air – test methods	ISO 8573: Compressed air
Particles	ISO 12500-3:2009 Filters for compressed air – test methods – Particulates	ISO 8573-4:2001 Compressed air – Test methods for solid particle content
Liquid water	ISO 12500-4:2009 Filters for compressed air – test methods – Water	ISO 8573-9:2004 Compressed air – Test methods for liquid water content
Oil	ISO 12500-1:2007 Filters for compressed air – test methods – Oil aerosols	ISO 8573-2:2007 Compressed air – Test methods for oil aerosol content



Simple Specials System



A system designed to respond quickly and easily to your special ordering needs

For modular connection units (shipped assembled), the simple specials system can be used.

Short lead times

This system enables us to respond to your special needs (additional machining, accessory assembly, or the designing of a modular unit) and deliver your personalized products as quickly as standard products.

Repeat orders

Once we receive a simple special part number from one of your previous orders, we will process the order, manufacture the product, and deliver it to you as quickly as possible.

Please contact your local sales representative for more details.

CONTENTS

Modular Connection Type Compressed Air Preparation Filter *AFF/AM/AMD/AMK Series*



Compressed Air Preparation Filter AFF/AM/AMD Series

How to Order	p. 8
Line Filter AFF Series	
Standard Specifications	p. 9
Flow Rate Characteristics	p. 10
Mist Separator AM Series	
Standard Specifications	p. 11
Flow Rate Characteristics	p. 12
Micro Mist Separator AMD Series	
Standard Specifications	p. 13
Flow Rate Characteristics	p. 14
Construction	p. 15
Dimensions	p. 17



Activated Carbon Filter AMK Series

How to Order	p. 20
Activated Carbon Filter AMK Series	
Standard Specifications	p. 21
Flow Rate Characteristics	p. 22
Construction	p. 23
Dimensions	p. 25

Modular Connection Example	p. 27
Accessories Sold Separately	p. 29
Clogging Switch Auto Switch Specifications (D-A93VL)	p. 30
International Standard ISO 8573-1:2010	p. 31
Specific Product Precautions	p. 32

Compressed Air Preparation Filter

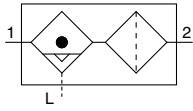
Line Filter/Mist Separator/Micro Mist Separator

AFF/AM/AMD Series

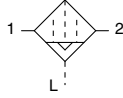


Symbol

Line Filter



Mist Separator
Micro Mist Separator



AFF



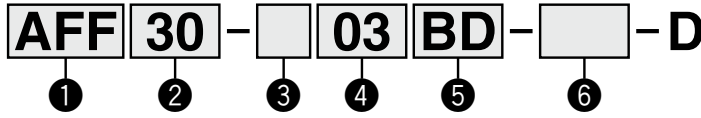
AM



AMD



How to Order



· Option/Semi-standard: Select one each for a to g.
· Option/Semi-standard symbol: When more than one specification is required, indicate in alphanumeric order.
Example) AM30-N03BD-6RZ-D

	Symbol	Description	② Body size					
			20	30	40	50	60	
① Filter type	AFF	Nominal filtration rating: 1 μm Water droplet removal ratio: 99%	●	●	●	●	●	
	AM	Nominal filtration rating: 0.1 μm Oil mist concentration on the outlet side: 1 mg/m ³	●	●	●	●	●	
	AMD	Nominal filtration rating: 0.01 μm Oil mist concentration on the outlet side: 0.1 mg/m ³	●	●	●	●	●	
③ Thread type	Nil	Rc	●	●	●	●	●	
	N* ¹	NPT	●	●	●	●	●	
	F* ²	G	●	●	●	●	●	
④ Port size	01	1/8	●	—	—	—	—	
	02	1/4	●	●	—	—	—	
	03	3/8	—	●	●	—	—	
	04	1/2	—	—	●	●	—	
	06	3/4	—	—	—	●	●	
⑤ Option	a Mounting	Nil	Without mounting option	●	●	●	●	●
		B* ³	With bracket	●	●	●	●	●
	b Float type auto drain	Nil	Without auto drain	●	●	●	●	●
		C* ⁴	N.C. (Normally closed)	●	●	●	●	●
		D* ⁵	N.O. (Normally open)	—	●	●	●	●
⑥ Semi-standard	c Bowl* ⁶	Nil	Polycarbonate bowl	●	●	●	—	—
		2	Stainless steel bowl	—	—	—	●	●
		6	Metal bowl	●	●	●	—	—
		8	Nylon bowl	●	●	●	—	—
		6C	Metal bowl with level gauge	—	●	—	—	—
	d Drain port* ⁹	Nil	With drain cock	●	●	●	●	●
e Indicator* ¹²	L* ¹³	Drain guide 1/8	●	—	—	—	—	
	M* ¹⁴	Drain guide 1/4	—	●	●	●	●	
	MM* ¹⁴	Drain cock, Barb fitting (ø6)	—	●	●	●	●	
f Flow direction	Nil	Without indicator	●	●	●	●	●	
	R	With element service indicator	●	●	●	●	●	
g Unit	Nil	Without indicator	●	●	●	●	●	
	Z* ¹⁵	With clogging switch (1 point)	●	●	●	●	●	
		With clogging switch (2 points)	●	●	●	●	●	
		Flow direction: Left to right	●	●	●	●	●	
		Flow direction: Right to left	●	●	●	●	●	
		Flow direction: Right to left	●	●	●	●	●	
		Name plate and caution plate for bowl in SI units: MPa, °C	○* ¹⁶	○* ¹⁶	○* ¹⁶	○* ¹⁶	○* ¹⁶	
		Name plate and caution plate for bowl in imperial units: psi, °F	○* ¹⁶	○* ¹⁶	○* ¹⁶	○* ¹⁶	○* ¹⁶	

*1 The drain guide is either NPT1/8 (applicable to the AFF20, AM20, and AMD20) or NPT1/4 (applicable to the AFF30 to AFF60, AM30 to AM60, and AMD30 to AMD60). The auto drain port comes with a ø3/8" One-touch fitting (applicable to the AFF30 to AFF60, AM30 to AM60, and AMD30 to AMD60).
*2 The drain guide is either G1/8 (applicable to the AFF20, AM20, and AMD20) or G1/4 (applicable to the AFF30 to AFF60, AM30 to AM60, and AMD30 to AMD60).
*3 A bracket is not assembled and supplied loose at the time of shipment. Including 2 mounting screws.
*4 When pressure is not applied, condensate which does not start the auto drain mechanism will be left in the bowl. Releasing the residual condensate before ending operations for the day is recommended.
*5 If the compressor is small (0.75 kW, discharge flow is less than 100 L/min (ANR)), air leakage from the drain cock may occur during the start of operations. The N.C. type is recommended.
*6 Refer to the chemical data on page 32 for chemical resistance of the bowl.

*7 A bowl guard is provided as standard equipment (polycarbonate).
*8 A bowl guard is provided as standard equipment (nylon).
*9 The combination of float type auto drain C and D is not available.
*10 Without a valve function. The mounting screws are the same as the thread of ③.
*11 The combination of metal bowl 2 and 8 is not available.
*12 After purchase, option "Nil" (Without indicator) cannot be changed to option "L" (With element service indicator), "M," or "MM" (With clogging switch).
*13 An auto switch cannot be installed with this option.
*14 This option is equipped with a reed auto switch (model: D-A93VL). Contact SMC for other compatible models. Refer to page 30 for the auto switch specifications.
*15 For pipe thread type: NPT
This product is for overseas use only according to the new Measurement Act. (The SI unit type is provided for use in Japan.)
*16 ○: For pipe thread type: NPT only

AFF/AM/AMD Series

Line Filter AFF Series

Standard Specifications

Model		AFF20	AFF30	AFF40	AFF50	AFF60	
Fluid		Compressed air					
Ambient and fluid temperatures		°C					
Proof pressure		MPa					
Max. operating pressure		MPa					
Min. operating pressure		MPa					
Auto drain minimum operating pressure	(N.C.)	MPa	0.1	0.15			
	(N.O.)	MPa	—	0.1			
Nominal filtration rating*1		µm					
Water droplet removal ratio*2		%					
Compressed air purity class*3		—					
Max. flow capacity*5		L/min (ANR)	300	750	1500	2200	3700
Port size		—	1/8, 1/4	1/4, 3/8	1/4, 3/8, 1/2	3/4, 1	1
Weight		kg	0.19	0.39	0.79	1.23	1.46
Bowl material		Polycarbonate			Stainless steel		
Bowl guard		Semi-standard (Steel)		Standard (Polycarbonate)		—	
Drain capacity		cm ³	8	25	45	100	

*1 For the following conditions in accordance with [Measurement: ISO 8573-4:2001, Test method ISO 12500-3:2009 compliant] in addition to the conditions above

- When the air flow capacity, inlet pressure, and the amount of solid or liquid particles on the filter inlet side are stable
- When a new element is used

*2 For the following conditions in accordance with [Test condition: ISO 12500-4:2009 compliant] in addition to the conditions above

- Water droplet on the filter inlet side = 33 g/m³
(Water droplet indicates condensed moisture. Water vapor which is not condensed is not included.)
- Inlet temperature = 25°C
- When the air flow capacity, inlet pressure, and the amount of water droplets on the filter inlet side are stable
- When a new element is used

*3 The compressed air purity class is indicated based on ISO 8573-1:2010 Compressed air – Part 1: Contaminants and purity classes. For details on this standard, refer to page 31.

*4 The compressed air quality class on the inlet side is [6 : 8 : 4].

*5 Inlet pressure: 0.7 MPa

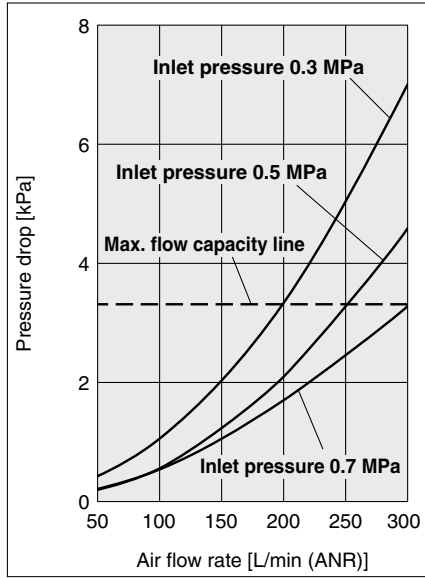
Flow at 20°C, atmospheric pressure, and 65% of the relative humidity

Line Filter AFF Series

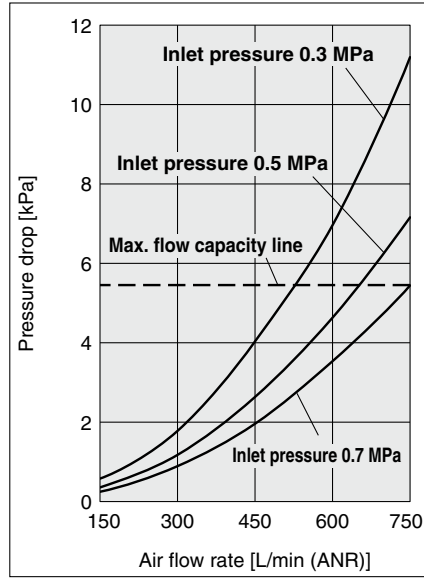
Flow Rate Characteristics (Representative values)

* Compressed air over the max. flow capacity line in the table below may not meet the specifications of the product.

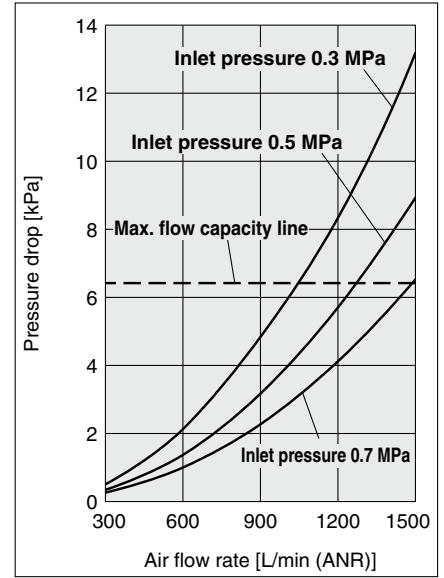
AFF20



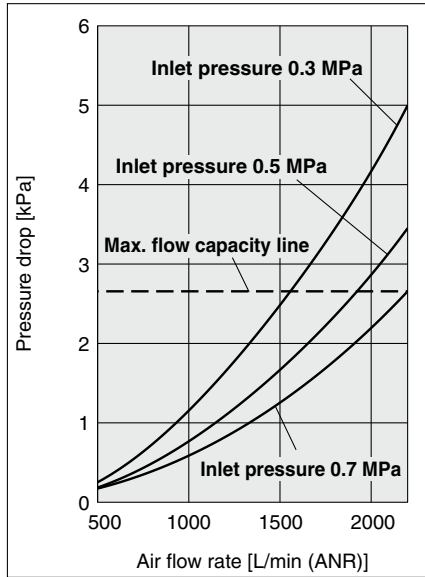
AFF30



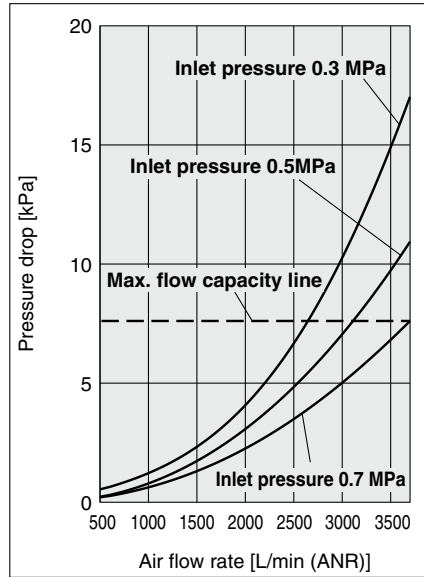
AFF40



AFF50



AFF60



AFF/AM/AMD

AMK

Modular Connection Example

Accessories Sold Separately

Auto Switch

International Standard

Specific Product Precautions

AFF/AM/AMD Series

Mist Separator AM Series

Standard Specifications

Model		AM20	AM30	AM40	AM50	AM60	
Fluid		Compressed air					
Ambient and fluid temperatures		°C					
		-5 to 60 (No freezing)					
Proof pressure		MPa					
		1.5					
Max. operating pressure		MPa					
		1.0					
Min. operating pressure		MPa					
		0.05					
Auto drain minimum operating pressure	(N.C.)	MPa	0.1	0.15			
	(N.O.)	MPa	—	0.1			
Nominal filtration rating*1		µm	0.1 (Filtration efficiency: 99%)				
Oil mist concentration on the outlet side*2, *3		mg/m ³	1 (≈ 0.8 ppm) or less				
Compressed air purity class*4		—	ISO 8573-1:2010 [2 : 7 : 3]*5				
Max. flow capacity*6		L/min (ANR)	300	750	1500	2200	3700
Port size		—	1/8, 1/4	1/4, 3/8	1/4, 3/8, 1/2	3/4, 1	1
Weight		kg	0.19	0.39	0.79	1.23	1.46
Bowl material		Polycarbonate			Stainless steel		
Bowl guard		Semi-standard (Steel)		Standard (Polycarbonate)		—	
Drain capacity		cm ³	8	25	45	100	

*1 For the following conditions in accordance with [Measurement: ISO 8573-4:2001, Test method ISO 12500-3:2009 compliant] in addition to the conditions above

- When the air flow capacity, inlet pressure, and the amount of solid or liquid particles on the filter inlet side are stable
- When a new element is used

*2 For the following conditions in accordance with [Measurement: ISO 8573-2:2007, Test method ISO 12500-1:2007 compliant] in addition to the conditions above

- Oil mist concentration on the filter inlet side = 10 mg/m³
- When the air flow capacity, inlet pressure, and the oil mist concentration on the filter inlet side are stable
- When a new element is used

*3 The bowl seal and other O-rings are slightly lubricated.

*4 The compressed air purity class is indicated based on ISO 8573-1:2010 Compressed air – Part 1: Contaminants and purity classes. For details on this standard, refer to page 31.

*5 The compressed air quality class on the inlet side is [4 : 7 : 4].

*6 Inlet pressure: 0.7 MPa

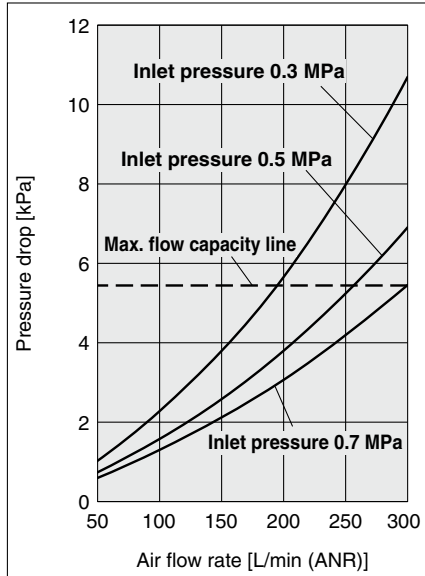
Flow at 20°C, atmospheric pressure, and 65% of the relative humidity

Mist Separator AM Series

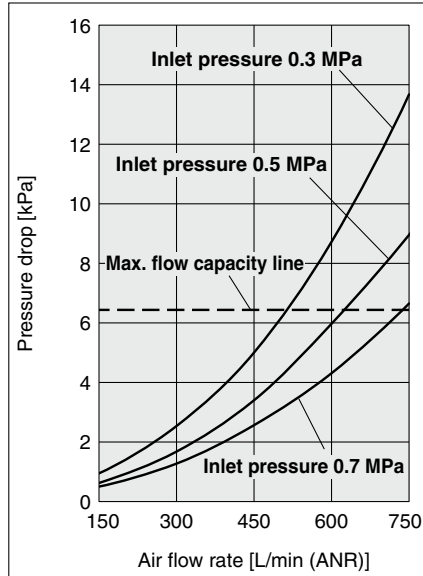
Flow Rate Characteristics (Representative values)

* Compressed air over the max. flow capacity line in the table below may not meet the specifications of the product.

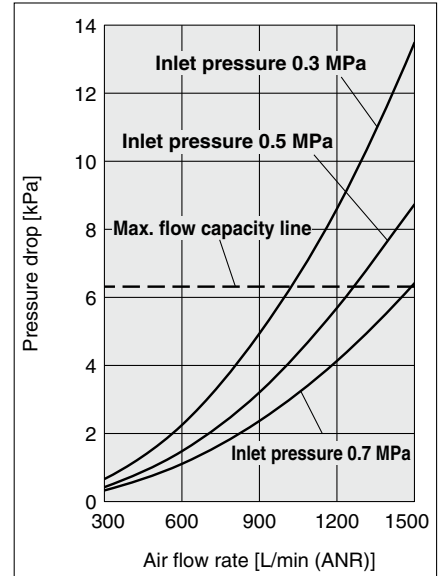
AM20



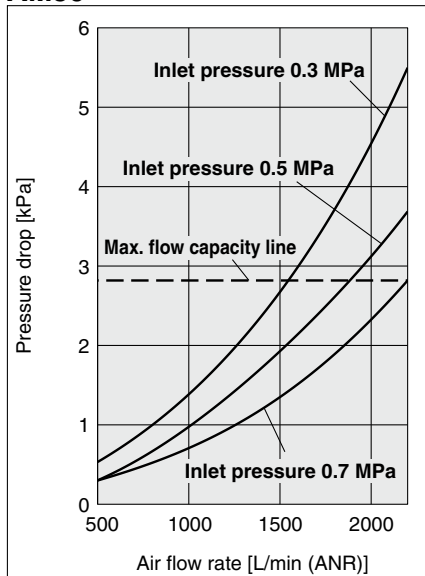
AM30



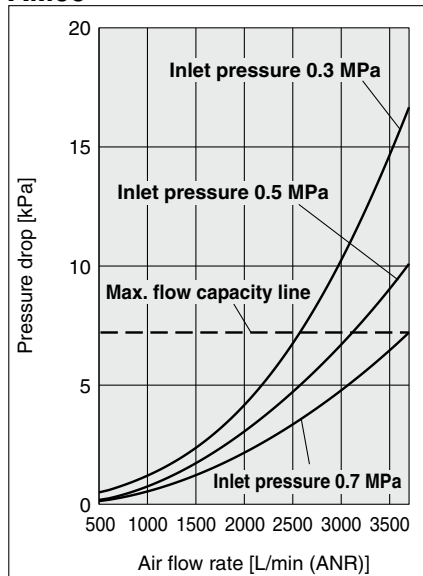
AM40



AM50



AM60



AFF/AM/AMD

AMK

Modular Connection Example

Accessories Sold Separately

Auto Switch

International Standard

Specific Product Precautions

AFF/AM/AMD Series

Micro Mist Separator AMD Series

Standard Specifications

Model		AMD20	AMD30	AMD40	AMD50	AMD60	
Fluid		Compressed air					
Ambient and fluid temperatures		°C					
Proof pressure		MPa					
Max. operating pressure		MPa					
Min. operating pressure		MPa					
Auto drain minimum operating pressure		(N.C.)	0.1	0.15			
		(N.O.)	—	0.1			
Nominal filtration rating*1		μm					
Oil mist concentration on the outlet side*2, *3		mg/m ³					
Compressed air purity class*5		—					
		ISO 8573-1:2010 [1 : 7 : 2]*6					
Max. flow capacity*7		L/min (ANR)	300	750	1500	2200	3700
Port size		—	1/8, 1/4	1/4, 3/8	1/4, 3/8, 1/2	3/4, 1	1
Weight		kg	0.19	0.39	0.79	1.23	1.46
Bowl material		Polycarbonate			Stainless steel		
Bowl guard		Semi-standard (Steel)		Standard (Polycarbonate)		—	
Drain capacity		cm ³	8	25	45	100	

*1 For the following conditions in accordance with [Measurement: ISO 8573-4:2001, Test method ISO 12500-3:2009 compliant] in addition to the conditions above

- When the air flow capacity, inlet pressure, and the amount of solid or liquid particles on the filter inlet side are stable
- When a new element is used

*2 For the following conditions in accordance with [Measurement: ISO 8573-2:2007, Test method ISO 12500-1:2007 compliant] in addition to the conditions above

- Oil mist concentration on the filter inlet side = 1 mg/m³
- When the air flow capacity, inlet pressure, and the oil mist concentration on the filter inlet side are stable
- When a new element is used

*3 The bowl seal and other O-rings are slightly lubricated.

*4 0.01 (≈ 0.008 ppm) or less in the initial state

*5 The compressed air purity class is indicated based on ISO 8573-1:2010 Compressed air – Part 1: Contaminants and purity classes. For details on this standard, refer to page 31.

*6 The compressed air quality class on the inlet side is [2 : 7 : 3].

*7 Inlet pressure: 0.7 MPa

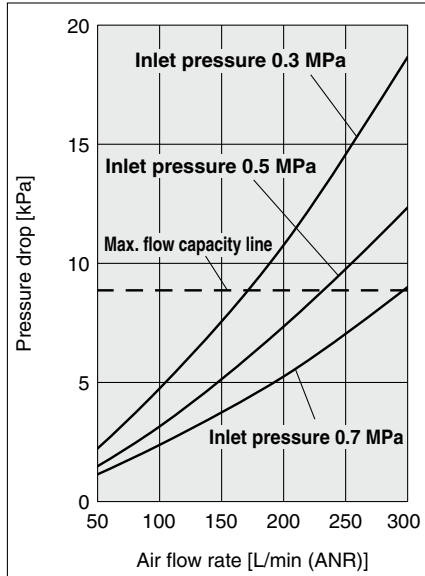
Flow at 20°C, atmospheric pressure, and 65% of the relative humidity

Micro Mist Separator AMD Series

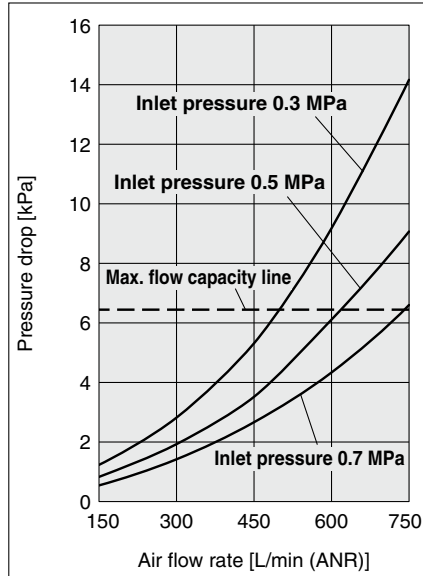
Flow Rate Characteristics (Representative values)

* Compressed air over the max. flow capacity line in the table below may not meet the specifications of the product.

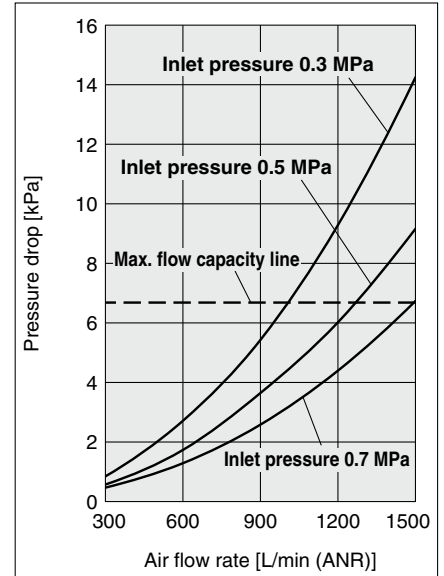
AMD20



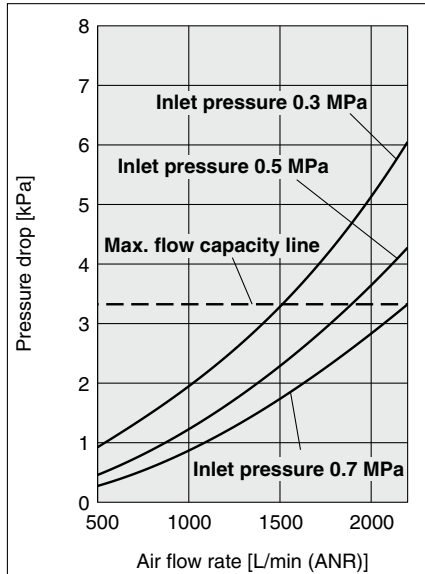
AMD30



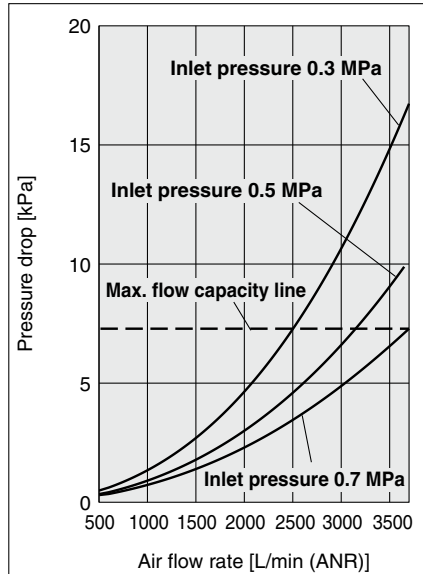
AMD40



AMD50



AMD60



AFF/AM/AMD

AMK

Modular Connection Example

Accessories Sold Separately

Auto Switch

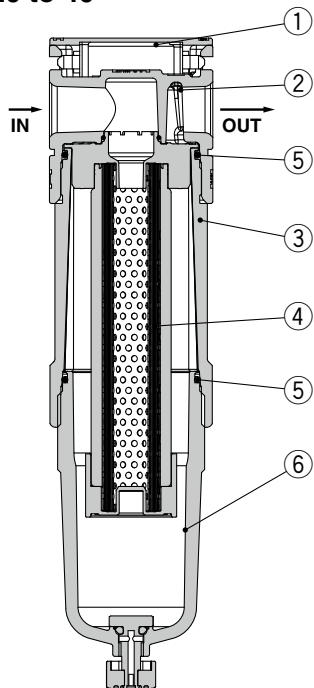
International Standard

Specific Product Precautions

AFF/AM/AMD Series

Construction: AFF, AM, AMD

Size 20 to 40



Component Parts

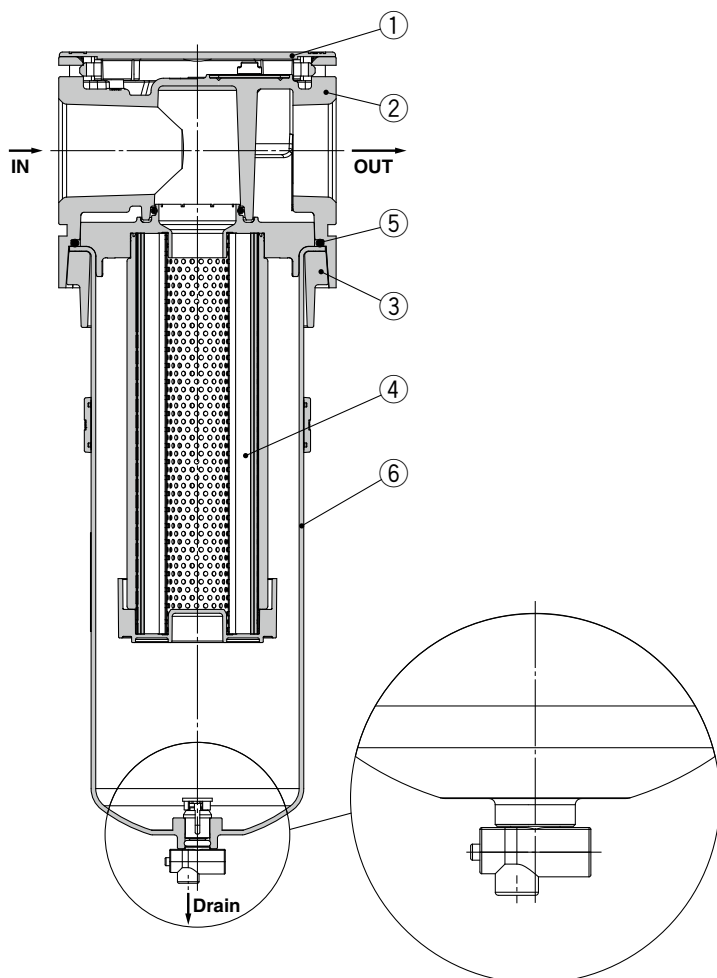
No.	Description	Material
1	Body cover	Resin
2	Body	Aluminum die-cast
3	Joint	Aluminum die-cast

Replacement Parts

No.	Description	Part number			
		20	30	40	
4	Element	AFF	AFF24P-060AS	AFF34P-060AS	AFF44P-060AS
		AM	AM24P-060AS	AM34P-060AS	AM44P-060AS
		AMD	AMD24P-060AS	AMD34P-060AS	AMD44P-060AS
5	Bowl seal	C2SFP-260S	C32FP-260S	C42FP-260S	
6	Bowl assembly	Refer to "Bowl Assembly/Part Nos."			

* When it is time to replace the element, refer to the maintenance instructions in the specific product precautions (page 34).

Size 50/60



Component Parts

No.	Description	Material
1	Body cover	Resin
2	Body	Aluminum die-cast
3	Flange	Aluminum die-cast

Replacement Parts

No.	Description	Part number		
		50	60	
4	Element	AFF	AFF54P-060AS	AFF64P-060AS
		AM	AM54P-060AS	AM64P-060AS
		AMD	AMD54P-060AS	AMD64P-060AS
5	Bowl seal	AM54P-160S		
6	Bowl assembly	Refer to "Bowl Assembly/Part Nos."		

Bowl Assembly/Part Nos.

Bowl material	Drain discharge mechanism	Drain port	Other	Model				
				20	30	40	50	60
Polycarbonate, Stainless steel	Manual	With drain cock	—	C2SF-D	—	—	AM54P-120AS	AM64P-120AS
			With bowl guard	C2SF-C-D	C3SF-D	C4SF-D	—	—
		Drain cock with barb fitting	With bowl guard	—	C3SF-W-D	C4SF-W-D	AM54P-120AS-W	AM64P-120AS-W
			—	C2SF□-J-D	—	—	AM54P-□120AS-J	AM64P-□120AS-J
	Automatic (Auto drain)	Normally closed (N.C.)	—	AD27-D	—	—	AM54P-□120AS-C	AM64P-□120AS-C
			With bowl guard	AD27-C-D	AD37□-D	AD47□-D	—	—
		Normally open (N.O.)	—	—	—	—	AM54P-□120AS-D	AM64P-□120AS-D
			With bowl guard	—	AD38□-D	AD48□-D	—	—
Nylon	Manual	With drain cock	—	C2SF-6-A	—	—	—	—
			With bowl guard	C2SF-6C-A	C3SF-6-D	C4SF-6-D	—	—
		Drain cock with barb fitting	With bowl guard	—	C3SF-6W-D	C4SF-6W-D	—	—
			—	C2SF□-6J-A	—	—	—	—
	Automatic (Auto drain)	Normally closed (N.C.)	With bowl guard	AD27-6-A	—	—	—	—
			—	AD27-6C-A	AD37□-6-D	AD47□-6-D	—	—
		Normally open (N.O.)	With bowl guard	—	AD38□-6-D	AD48□-6-D	—	—
			—	—	—	—	—	—
Metal	Manual	With drain cock	—	C2SF-2-A	C3SF-2-A	C4SF-2-A	—	—
			With level gauge	—	C3LF-8-A	C4LF-8-A	—	—
		With drain guide (without valve function)	—	C2SF□-2J-A	C3SF□-2J-A	C4SF□-2J-A	—	—
			With level gauge	—	C3LF□-8J-A	C4LF□-8J-A	—	—
	Automatic (Auto drain)	Normally closed (N.C.)	—	AD27-2-A	AD37□-2-A	AD47□-2-A	—	—
			With level gauge	—	AD37□-8-A	AD47□-8-A	—	—
		Normally open (N.O.)	—	AD38□-2-A	AD48□-2-A	—	—	
			With level gauge	—	AD38□-8-A	AD48□-8-A	—	—

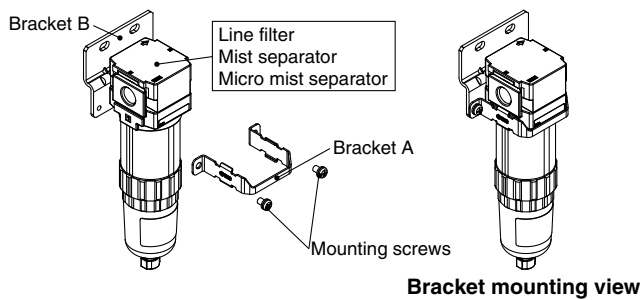
* The bowl assembly for sizes 20 to 40 comes with a bowl seal. The bowl assembly for sizes 50 and 60 comes with a flange and a bowl seal.

* The □ in the bowl assembly part numbers is for indicating the pipe thread type (applicable tubing for the auto drain). No indication is necessary for an Rc thread; however, indicate "N" for an NPT thread, and "F" for a G thread. (For auto drain, Nil: ø10, N: ø3/8") Please contact SMC separately for psi and °F unit display specifications.

Option/Part Nos.

Description	Part number			
	20	30	40	50, 60
Bracket assembly	AF24P-070AS	AF34P-070AS	AF44P-070AS	AF54P-070AS
Auto drain	Refer to "Bowl Assembly/Part Nos."			

* The assembly consists of an A and B bracket and 2 mounting screws.



AFF/AM/AMD

AMK

Modular Connection Example

Accessories Sold Separately

Auto Switch

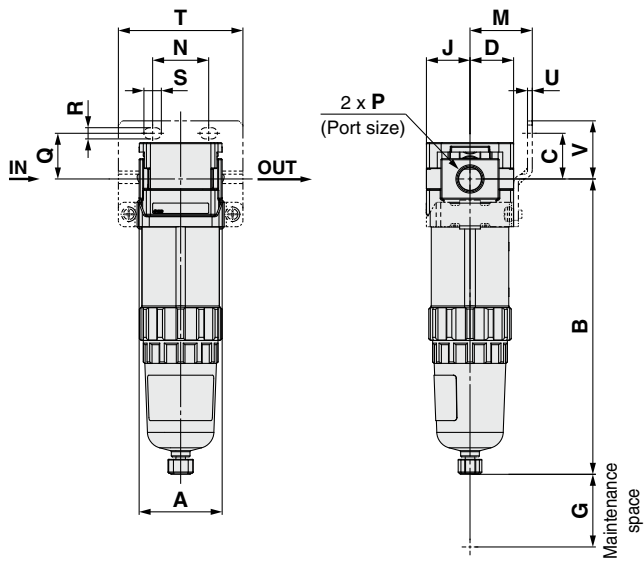
International Standard

Specific Product Precautions

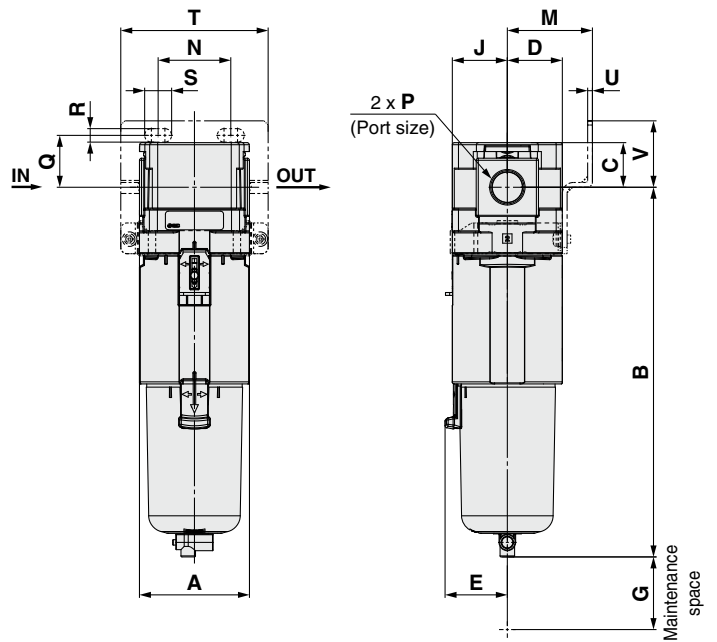
AFF/AM/AMD Series

Dimensions

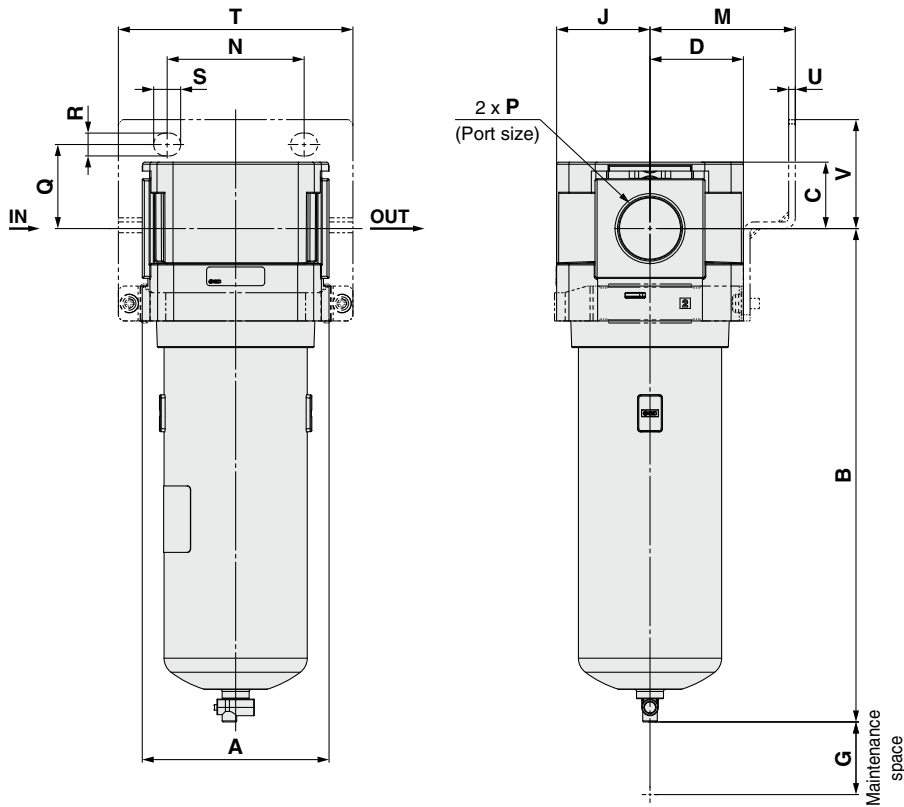
AFF/AM/AMD20



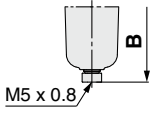
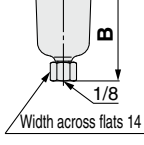
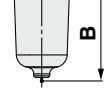
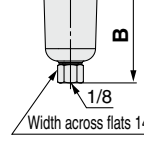
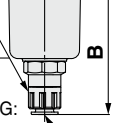
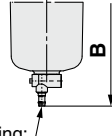
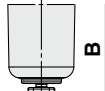
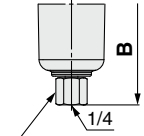
AFF/AM/AMD30 AFF/AM/AMD40

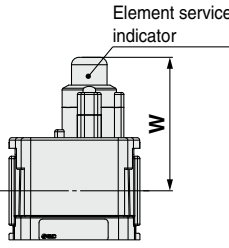
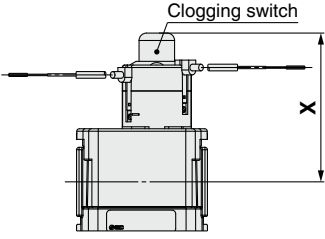
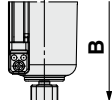
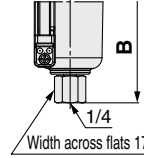


AFF/AM/AMD50 AFF/AM/AMD60



Dimensions

Applicable model	Optional specifications		Semi-standard			
	With auto drain	PC/PA bowl*1 Stainless steel bowl*2		Metal bowl*1		
		Drain cock with barb fitting	With drain guide	With drain cock	With drain guide	
AFF/AM/AMD20		/				
AFF/AM/AMD30 AFF/AM/AMD40 AFF/AM/AMD50 AFF/AM/AMD60	<p>N.O.: Black N.C.: Gray</p>  <p>Thread type/Rc, G: ø10 One-touch fitting Thread type/NPT: ø3/8" One-touch fitting</p>			<p>Barb fitting applicable tubing: T0604</p> 		

Applicable model	Semi-standard			
	Metal bowl with level gauge*1		Element service indicator	With clogging switch
	With drain cock	With drain guide		
AFF/AM/AMD20	/			
AFF/AM/AMD30 AFF/AM/AMD40 AFF/AM/AMD50 AFF/AM/AMD60				

*1 Available for sizes 20 to 40
*2 Available for sizes 50 and 60

Model	Standard specifications																	Optional specifications			
																		Bracket mount			With auto drain
	P	A	B	C	D	E	G	J	M	N	Q	R	S	T	U	V	B				
AFF20-D/AM20-D/AMD20-D	1/8, 1/4	40	142.3	17.5	21	—	25	21	30	27	22	5.4	8.4	60	2.3	28	159.6				
AFF30-D/AM30-D/AMD30-D	1/4, 3/8	53	178.1	21.5	26.5	30	35	26.5	41	35	25	6.5	13	71	2.3	32	219.8				
AFF40-D/AM40-D/AMD40-D	1/4, 3/8, 1/2	70	223.5	25.5	35.5	38.4	40	35.5	50	52	30	8.5	12.5	88	2.3	39	263.3				
AFF50-D/AM50-D/AMD50-D	3/4, 1	90	237.7	32	45	—	30	45	70	66	40.5	11	13	113	3.2	52.5	259.2				
AFF60-D/AM60-D/AMD60-D	1	90	314.8	32	45	—	30	45	70	66	40.5	11	13	113	3.2	52.5	336.3				

Model	Semi-standard specifications							
	PC/PA bowl*1 Stainless steel bowl*2		Metal bowl*1		Metal bowl with level gauge*1		Element service indicator	With clogging switch
	With barb fitting	With drain guide	With drain cock	With drain guide	With drain cock	With drain guide		
	B	B	B	B	B	B	W	X
AFF20-D/AM20-D/AMD20-D	—	146.1	142.1	148.6	—	—	50.6	56.6
AFF30-D/AM30-D/AMD30-D	186.6	184.9	180.6	185.1	200.6	205.1	54.3	60.3
AFF40-D/AM40-D/AMD40-D	232	230.3	225.9	230.4	245.9	250.4	58.3	64.3
AFF50-D/AM50-D/AMD50-D	246.2	244.5	—	—	—	—	64.3	70.3
AFF60-D/AM60-D/AMD60-D	323.3	321.6	—	—	—	—	64.3	70.3

*1 Available for sizes 20 to 40
*2 Available for sizes 50 and 60

AFF/AM/AMD
AMK

Modular Connection Example

Accessories Sold Separately

Auto Switch
International Standard
Specific Product Precautions

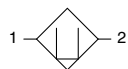
Compressed Air Preparation Filter

Activated Carbon Filter

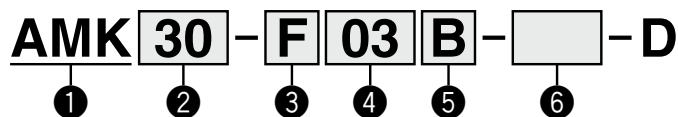
AMK Series



Symbol



How to Order



· Option/Semi-standard: Select one each for a to d.
 · Option/Semi-standard symbol: When more than one specification is required, indicate in alphanumeric order.
 Example) AMK30-N03B-6RZ-D

	Symbol	Description	②							
			Body size							
			20	30	40	50	60			
①	Filter type	AMK	Activated carbon filter		●	●	●	●	●	
		+								
③	Thread type	Nil	Rc		●	●	●	●	●	
		N	NPT		●	●	●	●	●	
		F	G		●	●	●	●	●	
		+								
④	Port size	01	1/8		●	—	—	—	—	
		02	1/4		●	●	●	—	—	
		03	3/8		—	●	●	—	—	
		04	1/2		—	—	●	—	—	
		06	3/4		—	—	—	●	—	
		10	1		—	—	—	●	●	
		+								
⑤	a	Mounting	Nil	Without mounting option		●	●	●	●	●
			B*1	With bracket		●	●	●	●	●
		+								
⑥	b	Bowl*2	Nil	Polycarbonate bowl	●	●	●	—	—	
				Stainless steel bowl	—	—	—	●	●	
			2	Metal bowl	●	●	●	—	—	
			6	Nylon bowl	●	●	●	—	—	
			C	With bowl guard	●	—*3	—*3	—	—	
				6C	With bowl guard (Nylon bowl)	●	—*4	—*4	—	—
			+							
	c	Flow direction	Nil	Flow direction: Left to right		●	●	●	●	●
			R	Flow direction: Right to left		●	●	●	●	●
			+							
d	Pressure unit	Nil	Name plate and caution plate in SI units: MPa/°C		●	●	●	●	●	
		Z*5	Name plate and caution plate in imperial units: psi/°F		○*6	○*6	○*6	○*6	○*6	

*1 A bracket is not assembled and supplied loose at the time of shipment. Including 2 mounting screws.

*2 Refer to the chemical data on page 32 for chemical resistance of the bowl.

*3 A bowl guard is provided as standard equipment (polycarbonate).

*4 A bowl guard is provided as standard equipment (nylon).

*5 For pipe thread type: NPT

This product is for overseas use only according to the new Measurement Act. (The SI unit type is provided for use in Japan.)

*6 ○: For pipe thread type: NPT only

AFF/AM/AMD

AMK

Modular Connection Example

Accessories Sold Separately

Auto Switch

International Standard

Specific Product Precautions

Activated Carbon Filter AMK Series

Standard Specifications

Model		AMK20	AMK30	AMK40	AMK50	AMK60
Fluid		Compressed air				
Ambient and fluid temperatures	°C	-5 to 60 (No freezing)				
Proof pressure	MPa	1.5				
Max. operating pressure	MPa	1.0				
Min. operating pressure	MPa	0.05				
Oil concentration on the outlet side *1, *2	mg/m ³	0.003 (≈ 0.0025 ppm) or less				
Compressed air purity class *3	—	ISO 8573-1:2010 [1 : 4 : 1]*4				
Max. flow capacity *5	L/min (ANR)	300	750	1500	2200	3700
Port size	—	1/8, 1/4	1/4, 3/8	1/4, 3/8, 1/2	3/4, 1	1
Bowl material		Polycarbonate			Stainless steel	
Bowl guard		Semi-standard (Steel)	Standard (Polycarbonate)		—	
Weight	kg	0.19	0.39	0.79	1.25	1.50

*1 For the following conditions in addition to the conditions above

- When a micro mist separator (AMD series) is installed on the inlet side
- When the air flow capacity, upstream pressure, and oil concentration on the filter inlet side are stable
- When a new element is used

*2 The bowl seal and other O-rings are slightly lubricated.

*3 The compressed air purity class is indicated based on ISO 8573-1:2010 Compressed air – Part 1: Contaminants and purity classes. For details on this standard, refer to page 31.

*4 The compressed air quality class on the inlet side is [1 : 4 : 2].

*5 Inlet pressure: 0.7 MPa

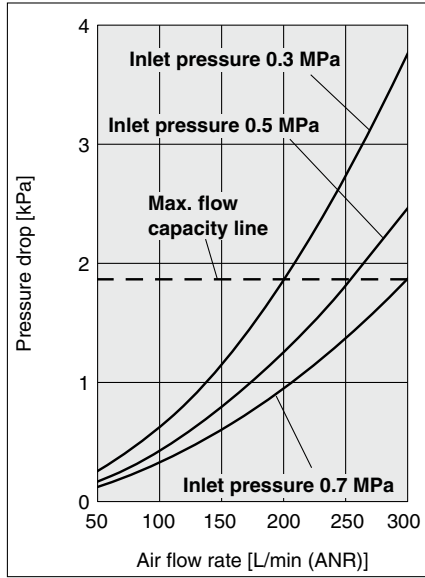
Flow at 20°C, atmospheric pressure, and 65% of the relative humidity

Activated Carbon Filter AMK Series

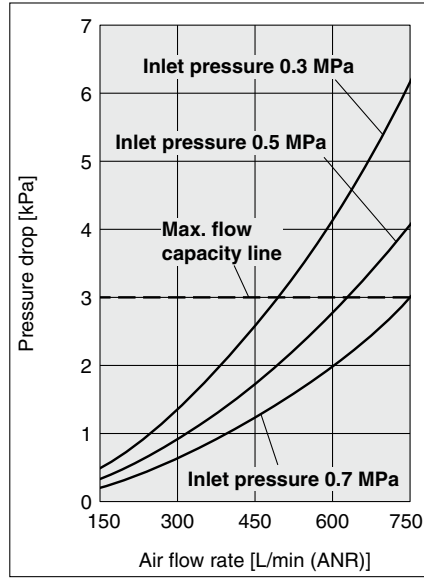
Flow Rate Characteristics (Representative values)

* Compressed air over the max. flow capacity line in the table below may not meet the specifications of the product.

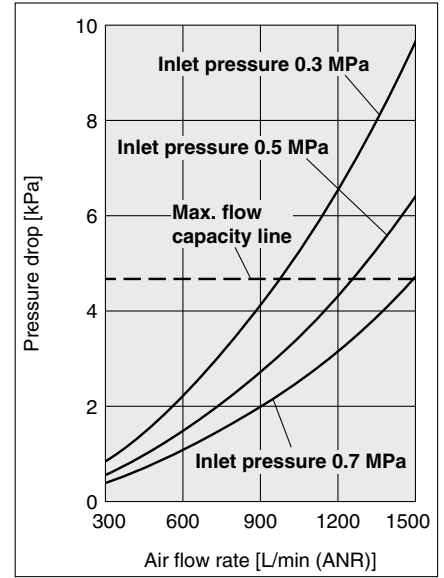
AMK20



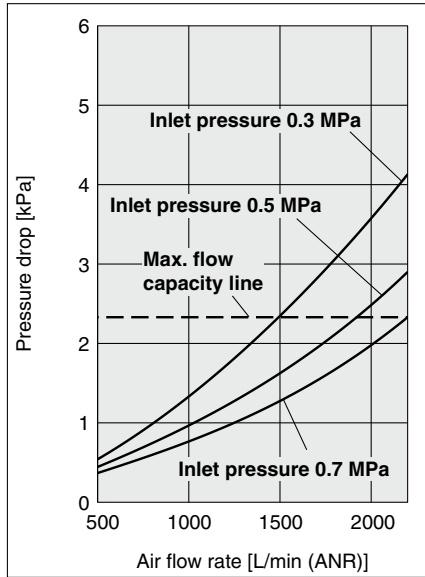
AMK30



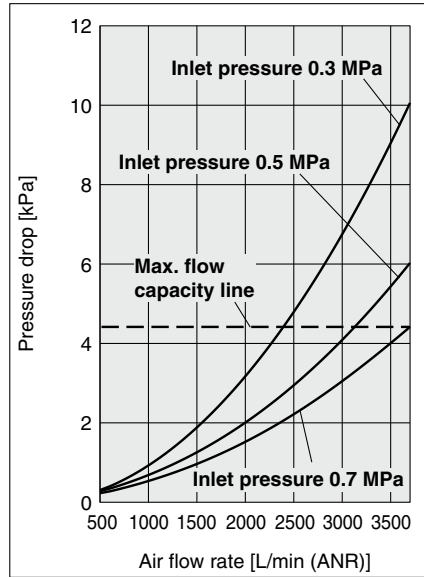
AMK40



AMK50



AMK60



AFF/AM/AMD

AMK

Modular Connection Example

Accessories Sold Separately

Auto Switch

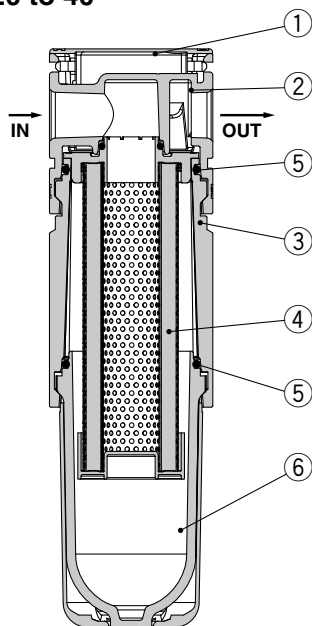
International Standard

Specific Product Precautions

AMK Series

Construction

Size 20 to 40



Component Parts

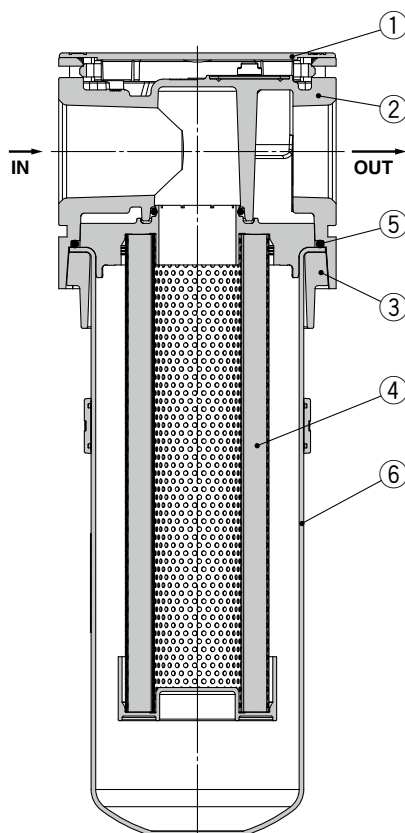
No.	Description	Material
1	Body cover	Resin
2	Body	Aluminum die-cast
3	Joint	Aluminum die-cast

Replacement Parts

No.	Description	Part number		
		AMK20	AMK30	AMK40
4	Element	AMK24P-060AS	AMK34P-060AS	AMK44P-060AS
5	Bowl seal	C2SFP-260S	C32FP-260S	C42FP-260S
6	Bowl assembly	Refer to "Bowl Assembly/Part Nos."		

* When it is time to replace the element, refer to the maintenance instructions in the specific product precautions (page 34).

Size 50/60



Component Parts

No.	Description	Material
1	Body cover	Resin
2	Body	Aluminum die-cast
3	Flange	Aluminum die-cast

Replacement Parts

No.	Description	Part number	
		50	60
4	Element	AMK54P-060AS	AMK64P-060AS
5	Bowl seal	AM54P-160S	
6	Bowl assembly	Refer to "Bowl Assembly/Part Nos."	

Bowl Assembly/Part Nos.

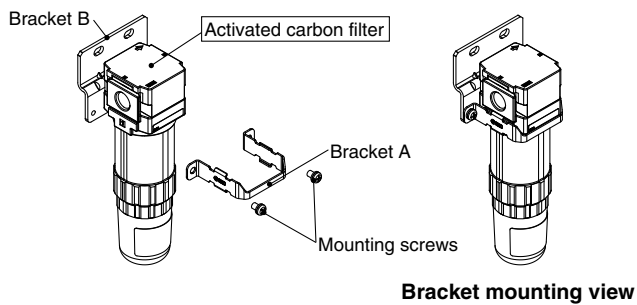
Bowl material	Other	Model				
		AMK20	AMK30	AMK40	AMK50	AMK60
Polycarbonate, Stainless steel	—	C2SF-D-X401	C3SK-D	C4SK-D	AMK54P-120AS	AMK64P-120AS
	With bowl guard	C2SK-C-D	—	—	—	—
Nylon	—	C2SF-6-A-X401	C3SK-6-D	C4SK-6-D	—	—
	With bowl guard	C2SK-6C-D	—	—	—	—
Metal	—	C2SF-2-A-X401	C3SF-2-A-X401	C4SF-2-A-X401	—	—

* The bowl assembly for sizes 20 to 40 comes with a bowl seal. The bowl assembly for sizes 50 and 60 comes with a flange and a bowl seal. Please contact SMC separately for psi and °F unit display specifications.

Option/Part Nos.

Description	Part number			
	AMK20	AMK30	AMK40	AMK50, 60
Bracket assembly	AF24P-070AS	AF34P-070AS	AF44P-070AS	AF54P-070AS

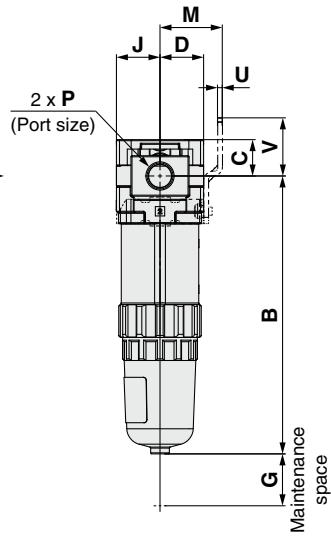
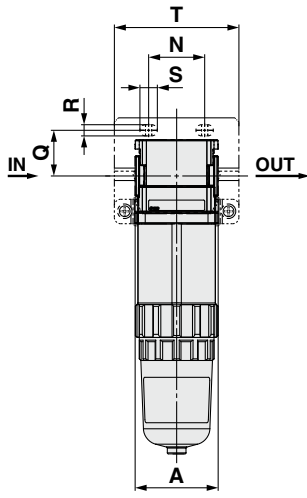
* The assembly consists of an A and B bracket and 2 mounting screws.



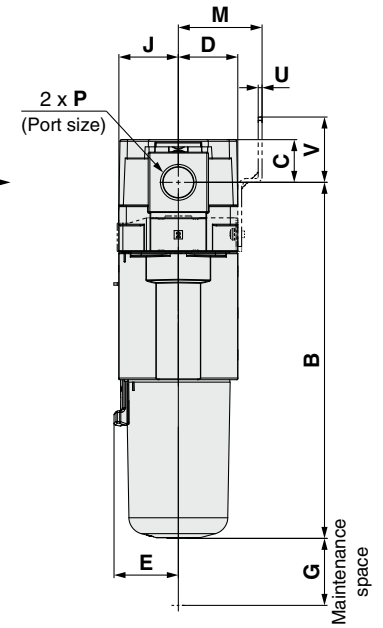
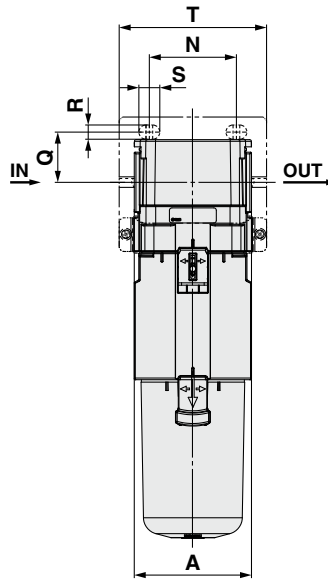
AMK Series

Dimensions

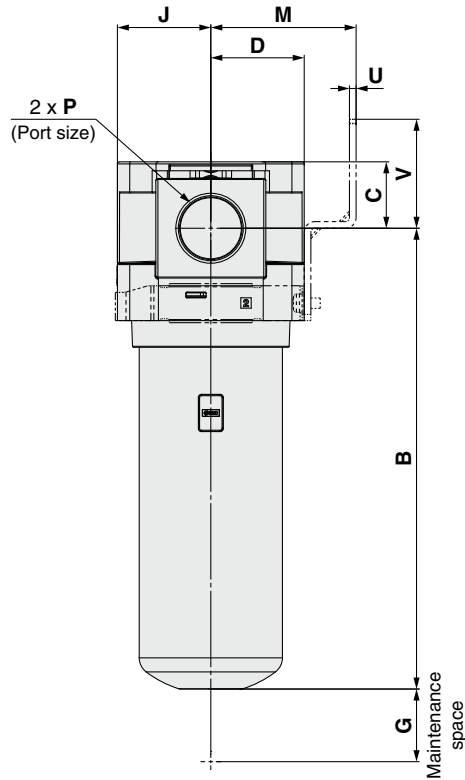
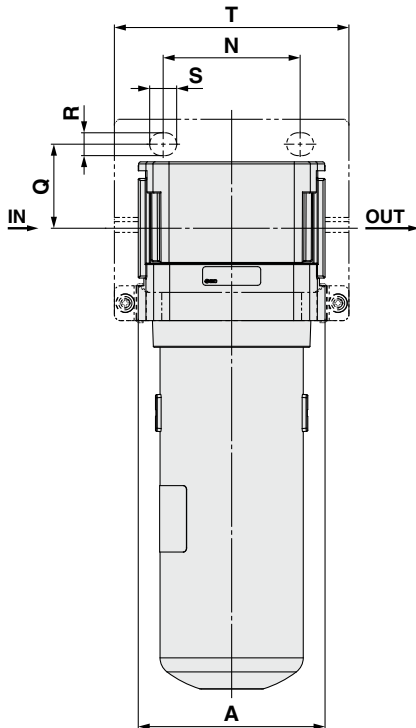
AMK20



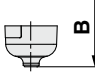
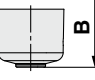
AMK30 AMK40



AMK50 AMK60



Dimensions

Applicable model	Semi-standard
	Metal bowl
AMK20-D	
AMK30-D AMK40-D	

Model	Standard specifications								Optional specifications							
	P	A	B	C	D	E	G	J	Bracket mount							
									M	N	Q	R	S	T	U	V
AMK20-D	1/8, 1/4	40	133.9	17.5	21	—	25	21	30	27	22	5.4	8.4	60	2.3	28
AMK30-D	1/4, 3/8	53	167	21.5	26.5	30	35	26.5	41	35	25	6.5	13	71	2.3	32
AMK40-D	1/4, 3/8, 1/2	70	212.5	25.5	35.5	38.4	40	35.5	50	52	30	8.5	12.5	88	2.3	39
AMK50-D	3/4, 1	90	222	32	45	—	30	45	70	66	40.5	11	13	113	3.2	52.5
AMK60-D	1	90	299.1	32	45	—	30	45	70	66	40.5	11	13	113	3.2	52.5

Model	Semi-standard specifications
	Metal bowl
	B
AMK20-D	139.1
AMK30-D	167
AMK40-D	212.4
AMK50-D	—
AMK60-D	—

AFF/AM/AMD

AMK

Modular Connection
Example

Accessories Sold
Separately

Auto Switch

International
Standard

Specific Product
Precautions

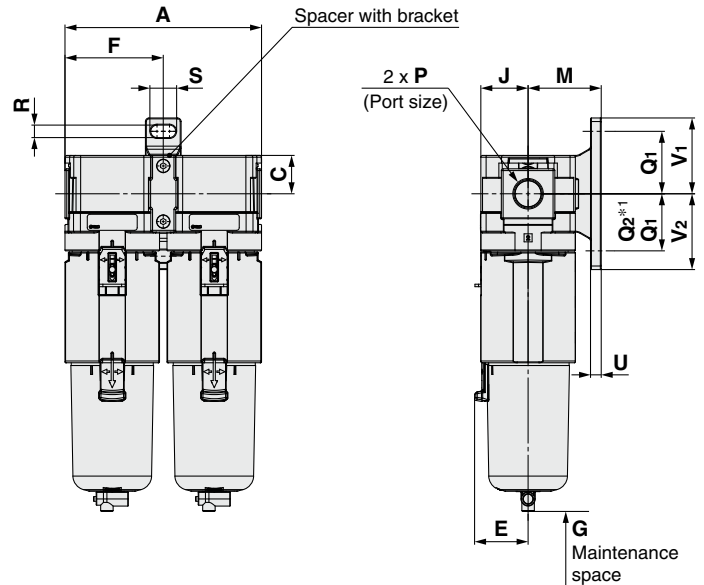
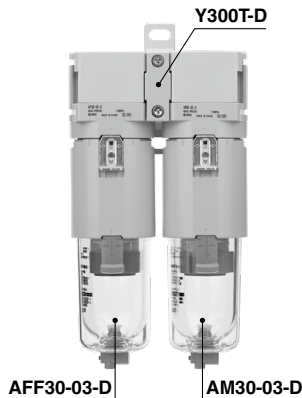
AFF/AM/AMD/AMK Series Modular Connection Example (Dimensions)

Products do not come assembled. They should be ordered separately and assembled by the customer.

For modular connection units (shipped assembled), the simple specials system can be used. For details, refer to page 6.

Combination example ①

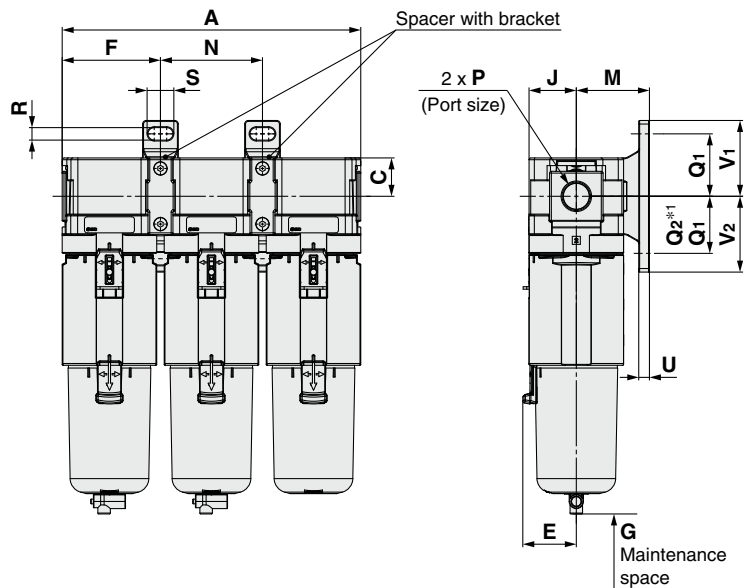
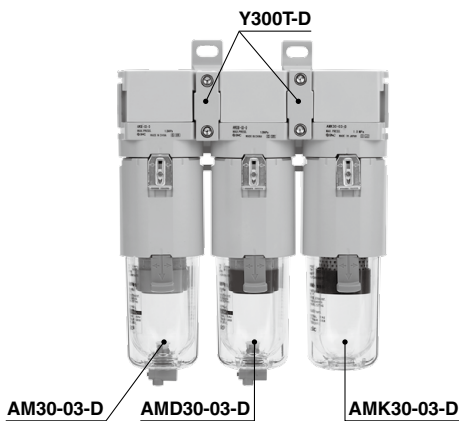
- Line Filter AFF30-03-D _____ 1 pc.
- Mist Separator AM30-03-D _____ 1 pc.
- Spacer with Bracket Y300T-D _____ 1 pc.



*1 Q₂ (Sizes 20, 40) Q₁ (Size 30)

Combination example ②

- Mist Separator AM30-03-D _____ 1 pc.
- Micro Mist Separator AMD30-03-D _____ 1 pc.
- Activated Carbon Filter AMK30-03-D _____ 1 pc.
- Spacer with Bracket Y300T-D _____ 2 pcs.

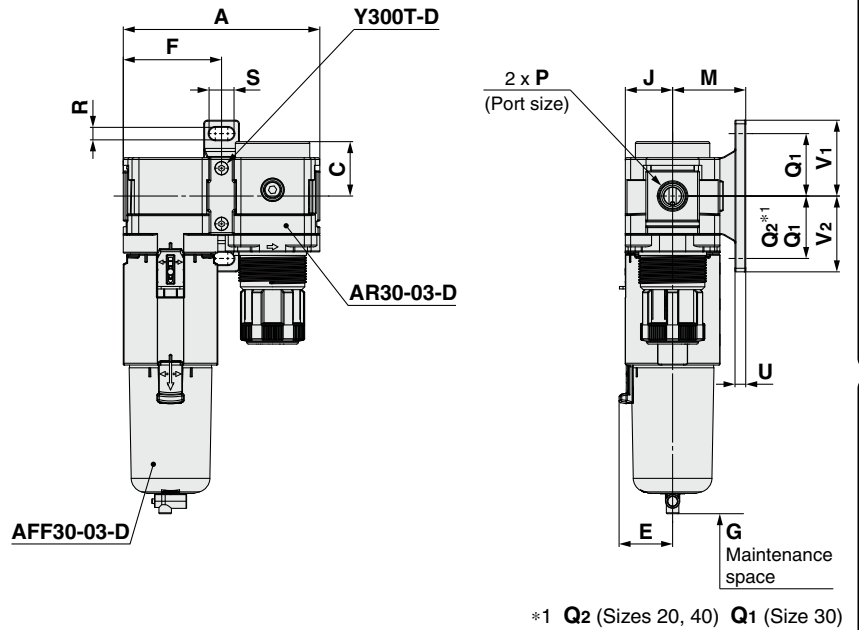


*1 Q₂ (Sizes 20, 40) Q₁ (Size 30)

Model	Number of components	Standard specifications							Optional specifications								
		P	A	C	E	F	G	J	Bracket mount								
									M	N	Q ₁	Q ₂	R	S	U	V ₁	V ₂
Size 20	2	1/8, 1/4	83.2	17.5	—	41.6	25	21	30	—	24	33	5.5	11.5	3.5	29	38
	3		43.2														
Size 30	2	1/4, 3/8	110.2	21.5	30	55.1	35	26.5	41	—	35	—	7	14	6	42.5	42.5
	3		57.2														
Size 40	2	1/4, 3/8, 1/2	145.2	25.5	38.4	72.6	40	35.5	50	—	40	55	9	18	7	50	65
	3		75.2														
Size 50	2	3/4, 1	186.2	32	—	93.1	30	45	70	—	50	70	11	20	8	60	80
	3		96.2														
Size 60	2	1	186.2	32	—	93.1	30	45	70	—	50	70	11	20	8	60	80
	3		96.2														

Combination example ③

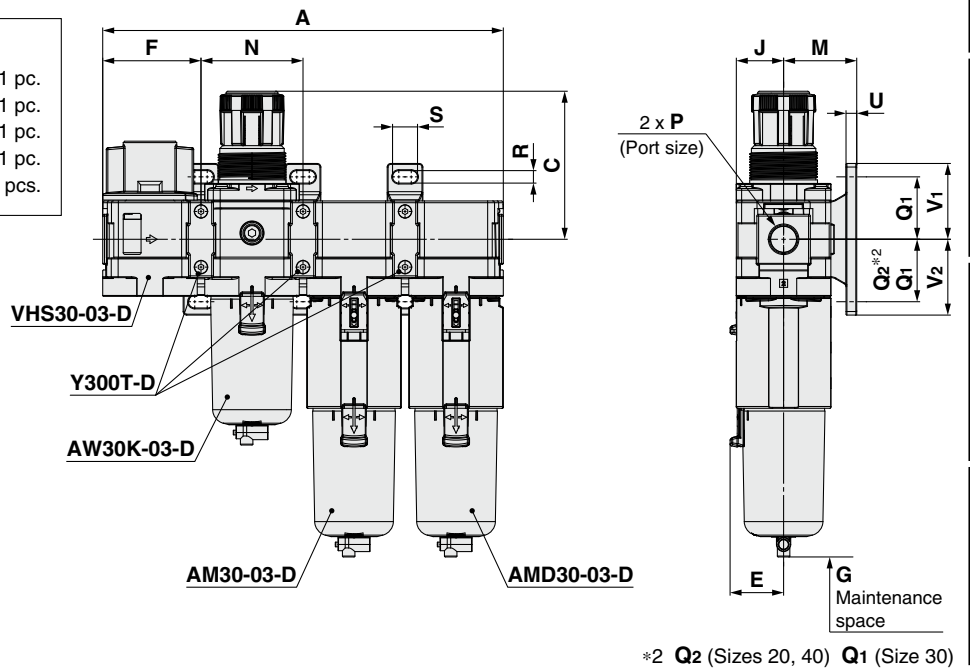
- Line Filter AFF30-03-D ————— 1 pc.
- Regulator AR30-03-D ————— 1 pc.
- Spacer with Bracket Y300T-D ————— 1 pc.



Model	Number of components	Standard specifications							Optional specifications								
		P	A	C	E	F	G	J	Bracket mount								
Size 20	2	1/8, 1/4	83.2	26.5	—	41.6	25	21	30	24	33	5.5	11.5	3.5	29	38	
Size 30	2	1/4, 3/8	110.2	30.5	30	55.1	35	26.5	41	35	—	7	14	6	42.5	42.5	
Size 40	2	1/4, 3/8, 1/2	145.2	35.5	38.4	72.6	40	35.5	50	40	55	9	18	7	50	65	
Size 50	2	3/4, 1	186.2	43	—	93.1	30	45	70	50	70	11	20	8	60	80	
Size 60	2	1	191.2	45	—	93.1	30	45	70	50	70	11	20	8	60	80	

Combination example ④

- Pressure Relief 3-port Valve VHS30-03-D ————— 1 pc.
- Filter Regulator AW30K-03-D ————— 1 pc.
- Mist Separator AM30-03-D ————— 1 pc.
- Micro Mist Separator AMD30-03-D — 1 pc.
- Spacer with Bracket Y300T-D ————— 3 pcs.



Model	Number of components	Standard specifications							Optional specifications								
		P	A	C	E	F	G	J	Bracket mount								
Size 20	4	1/8, 1/4	169.6	71.8	—	41.6	25	21	30	43.2	24	33	5.5	11.5	3.5	29	38
Size 30	4	1/4, 3/8	224.6	86.5	30	55.1	35	26.5	41	57.2	35	—	7	14	6	42.5	42.5
Size 40	4	1/4, 3/8, 1/2	295.6	91.5	38.4	72.6	40	35.5	50	75.2	40	55	9	18	7	50	65
Size 50	4	3/4, 1	383.6	155	—	93.1	30	45	70	101.2	50	70	11	20	8	60	80

AFF/AM/AMD/AMK Series

Accessories Sold Separately (for Individual Parts)

Spacer / Spacer with Bracket

Y **300** - D

① ②

		①			
		Body size [Applicable size]			
Symbol	Description	200	300	400	600
		AFF20 AM20 AMD20 AMK20	AFF30 AM30 AMD30 AMK30	AFF40 AM40 AMD40 AMK40	AFF50, AFF60 AM50, AM60 AMD50, AMD60 AMK50, AMK60
		●	●	●	●
		●	●	●	●
②	Bracket	Nil	Spacer		
		T	Spacer with bracket		

Spacer
(Y□-D)



Spacer with bracket
(Y□T-D)



Standard Specifications

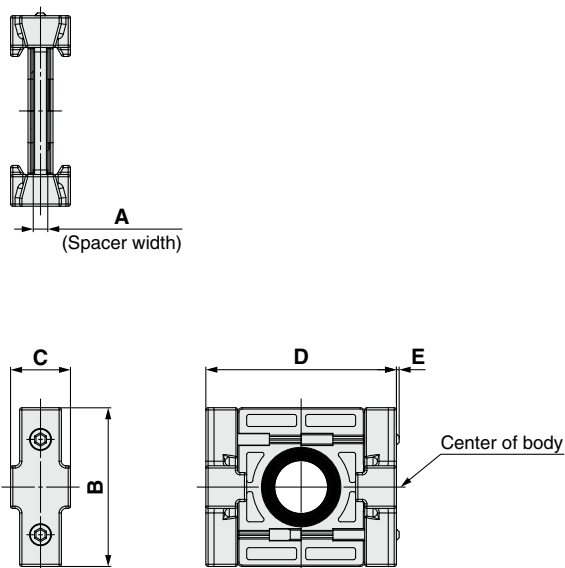
Fluid	Air
Ambient and fluid temperatures	-5 to 60°C (No freezing)
Proof pressure	1.5 MPa
Max. operating pressure	1.0 MPa

Replacement Parts

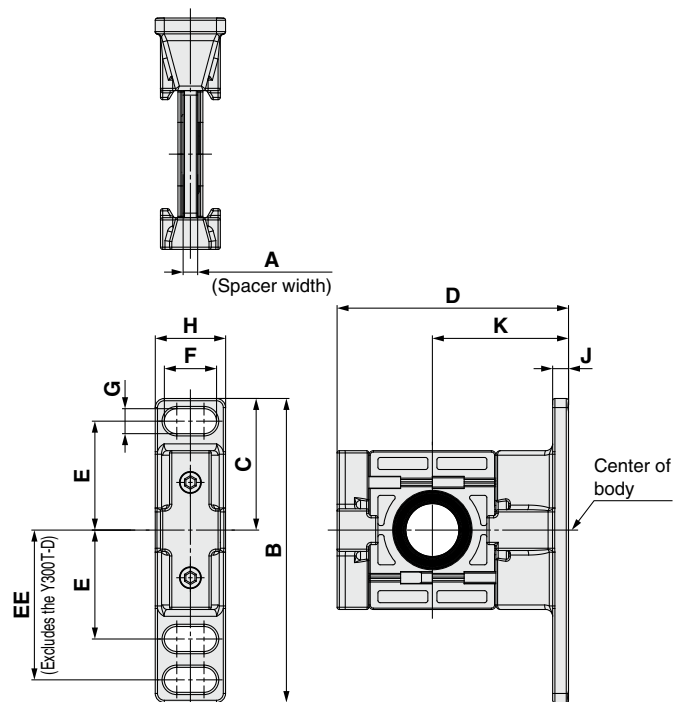
Description	Material	Part number			
		Y200-D Y200T-D	Y300-D Y300T-D	Y400-D Y400T-D	Y600-D Y600T-D
Seal	HNBR	Y220P-050S	Y320P-050S	Y420P-050S	Y620P-050S

Dimensions

Spacer



Spacer with bracket



Part no.	A	B	C	D	E	Applicable model
Y200-D	3.2	35	13.2	42	0.6	AFF/AM/AMD/AMK20
Y300-D	4.2	43	16.2	53	—	AFF/AM/AMD/AMK30
Y400-D	5.2	51	19.2	71	—	AFF/AM/AMD/AMK40
Y600-D	6.2	64	27.2	90	—	AFF/AM/AMD/AMK50 AFF/AM/AMD/AMK60

Part no.	A	B	C	D	E	EE	F	G	H	J	K	Applicable model
Y200T-D	3.2	67	29	51	24	33	11.5	5.5	15.5	3.5	30	AFF/AM/AMD/AMK20
Y300T-D	4.2	85	42.5	67.5	35	—	14	7	20	6	41	AFF/AM/AMD/AMK30
Y400T-D	5.2	115	50	85.5	40	55	18	9	26	7	50	AFF/AM/AMD/AMK40
Y600T-D	6.2	140	60	115	50	70	20	11	31.2	8	70	AFF/AM/AMD/AMK50 AFF/AM/AMD/AMK60

Clogging Switch Auto Switch Specifications (D-A93VL)



Refer to the SMC website for details on the products conforming to international standards.

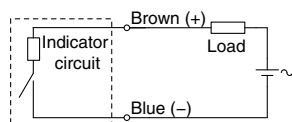
Auto switch model	D-A93VL	
Auto switch specifications	Applicable load	Relay, PLC
	Load voltage	24 VDC 100 VAC
	Load current range and Max. load current*2	5 to 40 mA*3 5 to 20 mA
	Internal circuit	*1
	Contact protection circuit	None
	Internal voltage drop	2.7 V or less
	Indicator light	Red LED illuminates when turned ON.
	Standards	CE/UKCA marking
	Leakage current	None
	Operating time	1.2 ms
	Impact resistance	300 m/s ²
	Insulation resistance	50 MΩ or more at 500 VDC Mega
	Withstand voltage	1000 VAC for 1 min
	Lead wire length	3 m
	Weight	30 g
	Ambient temperature	-10 to 60°C
	Enclosure	IEC60529 standard IP67
Oilproof heavy-duty lead wire specifications	Sheath	Outside diameter ø2.7 mm
	Insulator	Number of cores 2 cores (Brown, Blue)
		Outside diameter ø0.96 mm
	Conductor	Effective area 0.18 mm ²
		Strand diameter ø0.08 mm
	Lead wire min. bending radius	17 mm

*1 Refer to the following circuit diagram for the internal circuit.

*2 Under 5 mA, the strength of the indicator light is poor. In some cases, visibility of the indicator light will not be possible when the output signal is less than 2.5 mA. However, there is no problem in terms of contact output when the output signal exceeds 1 mA.

*3 When using at 12 VDC, the auto switch operates normally, but the load may not operate depending on the specifications of the load. For details, refer to the description of the internal voltage drop of the auto switch in the "Reed Auto Switch/Common Precautions" section in the **Web Catalog**.

2-wire (Reed switch)



AFF/AM/AMD

AMK

Modular Connection Example

Accessories Sold Separately

Auto Switch

International Standard

Specific Product Precautions

International Standard ISO 8573-1:2010

Compressed Air Purity Classes

Compressed air is used in a variety of manufacturing processes. In this age, compressed air with a high degree of purity is becoming increasingly necessary.

For this reason, it is necessary to remove contaminants from systems which supply compressed air and to secure the quality. The standard which stipulates the class according to the quantities of contaminants in compressed air is ISO 8573-1.

[Outline]

Stipulates the purity class of contaminants (particles, water, oil) mixed in with the compressed air

[Scope]

Can be used in various places in compressed air systems

[Purity Classes]

Class	Particles			Mass concentration Cp [mg/m ³]	Humidity and liquid water		Oil Concentration of total oil [mg/m ³]
	Maximum number of particles per cubic meter as a function of particle size d [μm]				Pressure dew point [°C]	Concentration of liquid water Cw [g/m ³]	
	0.1 < d ≤ 0.5	0.5 < d ≤ 1.0	1.0 < d ≤ 5.0				
0	As specified by the equipment user or supplier and more stringent than class 1						
1	≤ 20000	≤ 400	≤ 10	—	≤ -70	—	≤ 0.01
2	≤ 400000	≤ 6000	≤ 100	—	≤ -40	—	≤ 0.1
3	—	≤ 90000	≤ 1000	—	≤ -20	—	≤ 1
4	—	—	≤ 10000	—	≤ +3	—	≤ 5
5	—	—	≤ 100000	—	≤ +7	—	—
6	—	—	—	0 < Cp ≤ 5	≤ +10	—	—
7	—	—	—	5 < Cp ≤ 10	—	Cw ≤ 0.5	—
8	—	—	—	—	—	0.5 < Cw ≤ 5	—
9	—	—	—	—	—	5 < Cw ≤ 10	—
x	—	—	—	Cp > 10	—	Cw > 10	> 5

[Terms and Definitions]

- Purity class: An index assigned for each classification obtained by dividing the concentration of each contaminant into ranges
- Particle: Small discrete mass of solid or liquid matter
- Humidity and liquid water: Water vapor (gas), Water droplets
- Oil: Liquid oil, Oil mist, Oil vapor

[How to Perform a Test to Check the Performance]

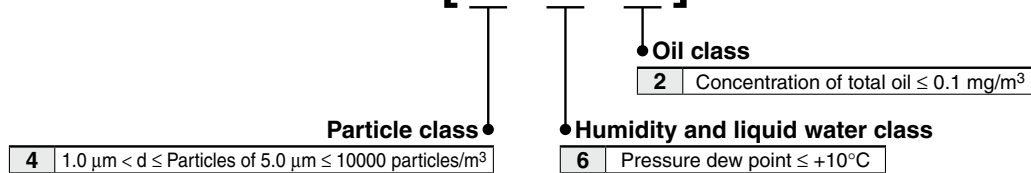
ISO 12500, which sets out the test method to be used in order to check the filter performance for each of the three kinds of contaminants, is indicated below.

- Particle: ISO 12500-3:2009
- Liquid water: ISO 12500-4:2009
- Oil: ISO 12500-1:2007

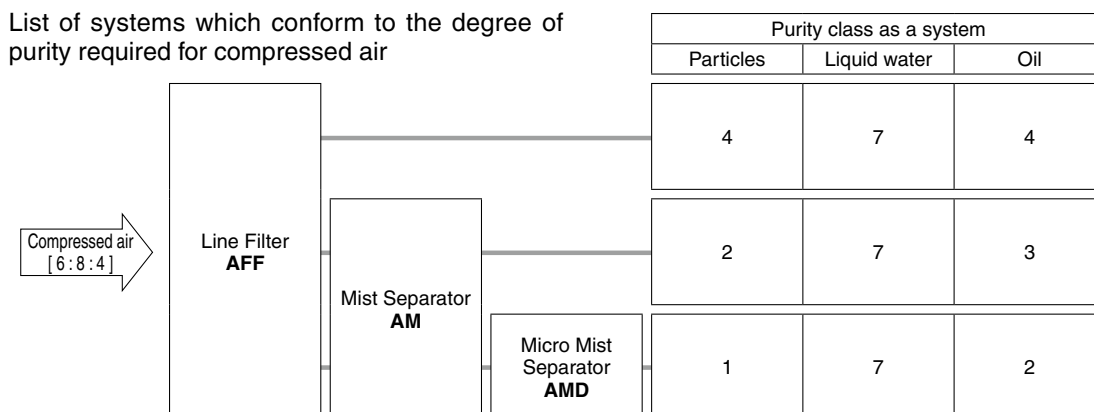
* Measured using a dedicated evaluation system which has been certified according to ISO 12500-□ and also by a third party (Certified)

[Purity Class Designation Example]

ISO 8573-1:2010 [4 : 6 : 2]



List of systems which conform to the degree of purity required for compressed air



The class indicates the compressed air purity according to ISO 8573-1:2010 (JIS B 8392-1:2012) and indicates the maximum purity class which can be obtained using that system. Note, however, that this value will differ according to the inlet air conditions.



AFF/AM/AMD/AMK Series

Specific Product Precautions 1

Be sure to read this before handling the products. Refer to the back cover for safety instructions. For air preparation equipment precautions, refer to the "Handling Precautions for SMC Products" and the "Operation Manual" on the SMC website: <https://www.smcworld.com>

Design

Warning

1. Resin is used for some of the external parts such as the bowl (Material: polycarbonate).

Organic solvents including thinner, acetone, alcohol, and ethylene chloride; chemicals including sulfuric acid, nitric acid, and hydrochloric acid; cutting oil, synthetic oil, ester-based compressor oil, alkali, kerosene, gasoline, and lock thread adhesive are harmful. Do not use the product where these are present.

Effects of organic solvents and chemicals on the equipment. Shown below is the chemical data of substances which cause degradation for reference.

Type	Chemical name	Application examples	Material	
			Polycarbonate	Nylon
Acid	Hydrochloric acid Sulfuric acid Phosphoric acid Acetic acid Chromic acid	Acid washing liquid for metals	△	×
Alkaline	Sodium hydroxide (Caustic soda) Potash Calcium hydroxide (Slack lime) Ammonia water Sodium carbonate	Degreasing of metals Industrial salts Water-soluble cutting oil	×	○
Inorganic salts	Sodium sulfide Potassium nitrate Sodium sulfate	—	×	△
Chlorine solvents	Carbon tetrachloride Chloroform Ethylene chloride Methylene chloride	Cleansing liquid for metals Printing ink Dilution	×	△
Aromatic series	Benzene Toluene Paint thinner	Coatings Dry cleaning	×	△
Ketone	Acetone Methyl ethyl ketone Cyclohexane	Photographic film Dry cleaning Textile industries	×	×
Alcohol	Ethyl alcohol IPA Methyl alcohol	Antifreeze Adhesives	△	×
Oil	Gasoline Kerosene	—	×	○
Ester	Phthalic acid dimethyl Phthalic acid diethyl	Synthetic oil Anti-rust additives	×	○
Ether	Methyl ether Ethyl ether	Brake oil additives	×	○
Amino	Methyl amino	Cutting oil Brake oil additives Rubber accelerator	×	×
Others	Thread-lock fluid Seawater Leak tester	—	×	△

○: Essentially safe △: Some effects may occur. ×: Effects will occur.

When the above factors are present, or there is some doubt, use a metal bowl for safety.

* The display window material is nylon.

Design

Warning

2. Applications in which the difference between the inlet and outlet pressure exceeds 0.1 MPa must be avoided. Failure to do so may result in element breakage.

3. For air blow applications, prevent airborne particles from the operating environment from entering into the compressed air stream. Foreign matter may adhere to workpieces during air blow as a result.

4. If air equipment is installed on the outlet side of the product, particles may be generated from the equipment and thus the required cleanliness may not be obtained. Please consider installing air equipment on the inlet side of the product.

Caution

1. The activated carbon filter (AMK series) adsorbs the oil vapor contained in compressed air and removes the odor derived from it, but it does not remove all odor.

Selection

Warning

1. Select a model so that the max. discharge (instantaneous) flow rate value does not exceed the max. flow capacity.

2. Use the N.O. type auto drain under the following conditions to avoid a malfunction.

Output of compressor: 0.75 kW or more
Discharged flow rate: 100 L/min (ANR) or more

If multiple auto drains are to be used, confirm whether the compressor has a sufficient capacity by multiplying the above capacity by the number of auto drains to be used. { For example, in order to use 2 auto drains, the compressor needs a capacity of 1.5 kW [200 L/min (ANR)] or more. } Set the operating pressure at 0.1 MPa or more.

3. Use the N.C. type auto drain under the following conditions to avoid a malfunction.

Operating pressure for size 20: 0.1 MPa or more

Operating pressure for sizes 30 to 60: 0.15 MPa or more

Mounting

Warning

1. Connect the product according to the "1"(IN) and "2"(OUT) indications or the arrows for air direction. Incorrect connection may result in a malfunction.

2. Install with adequate space for maintenance beneath the product. Refer to the dimensions of each part for the necessary amount of space.

3. Install vertically so that the drain outlet turns downward. Using with the drain outlet turned horizontal or upward may result in a malfunction.

AFF/AM/AMD

AMK

Modular Connection Example

Accessories Sold Separately

Auto Switch

International Standard

Specific Product Precautions



AFF/AM/AMD/AMK Series Specific Product Precautions 2

Be sure to read this before handling the products. Refer to the back cover for safety instructions. For air preparation equipment precautions, refer to the “Handling Precautions for SMC Products” and the “Operation Manual” on the SMC website: <https://www.smcworld.com>

Mounting

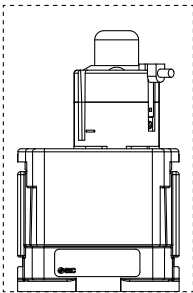
Warning

4. When using the product with a clogging switch, note the following points.

(1) Refer to the figure below to check the position of the auto switch.

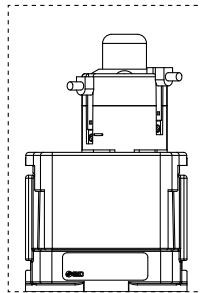
For 1 switch
(For symbol “M”)

Only on the right side when looking at the nameplate



For 2 switches
(For symbol “MM”)

Both the right and left sides when looking at the nameplate



- (2) Do not hit the auto switch with a tool or allow it to receive any other impacts. Doing so may cause damage.
- (3) Do not attach or detach the auto switch equipped with a clogging switch. Otherwise, the detection accuracy of the clogging switch may be reduced. In addition, note that an auto switch with an element service indicator cannot be installed in combination.
- (4) Do not place magnetic objects near the product. Otherwise, a machine failure may result.

Piping

Warning

1. Tighten the 2 holding screws on the spacer with bracket or spacer evenly.

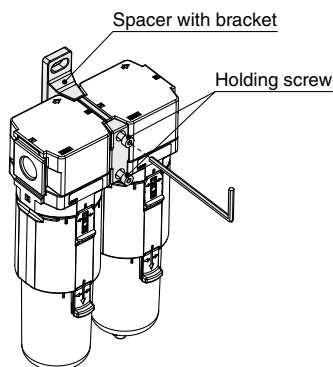
Tighten them to the recommended tightening torque.

Insufficient tightening torque may result in loosening or sealing failure. Excessive tightening torque may damage the thread, etc.

Recommended Torque

Unit: N·m

Applicable model	AFF20 AM20 AMD20 AMK20	AFF30 AM30 AMD30 AMK30	AFF40 AM40 AMD40 AMK40	AFF50/AFF60 AM50/AM60 AMD50/AMD60 AMK50/AMK60
Spacer with bracket part number	Y200T-D	Y300T-D	Y400T-D	Y600T-D
Spacer part number	Y200-D	Y300-D	Y400-D	Y600-D
Torque	0.36 ±0.036	1.2 ±0.05	1.2 ±0.05	2.0 ±0.1



Piping

Warning

2. Piping load and moment

Avoid any torsional or bending moments other than those caused by the equipment’s own weight as failure to do so may result in damage.

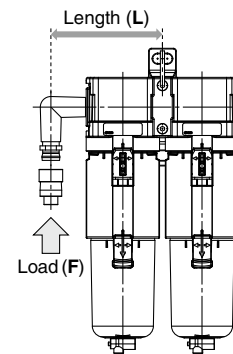
Support external piping separately. If moment application is unavoidable during operation, the moment should be lower than the max. moment shown below.

Piping materials without flexibility, such as steel tube piping, are prone to being affected by excess moment loads or vibrations from the piping side. Use flexible tubing in between to avoid such effects.

Unit: N·m

Applicable model	AFF20 AM20 AMD20 AMK20	AFF30 AM30 AMD30 AMK30	AFF40 AM40 AMD40 AMK40	AFF50/AFF60 AM50/AM60 AMD50/AMD60 AMK50/AMK60
Max. moment (M)	14.5	16	19.5	45

Max. moment (M) = Length (L) x Load (F)



3. Connect piping/fittings using the recommended torque while holding the female thread side tightly.

Insufficient tightening torque can result in loose piping or sealing failure. Over tightening may break the thread. If the female side is not held while tightening, excessive force will be applied to the bracket directly, resulting in breakage.

Recommended Tightening Torque

Unit: N·m

Connection thread	1/8	1/4	3/8	1/2	3/4	1
Torque	7 to 9	12 to 14	22 to 24	28 to 30	28 to 30	36 to 38

4. When an SMC One-touch fitting is used, refer to the operation manual for the One-touch fitting.



AFF/AM/AMD/AMK Series

Specific Product Precautions 3

Be sure to read this before handling the products. Refer to the back cover for safety instructions. For air preparation equipment precautions, refer to the “Handling Precautions for SMC Products” and the “Operation Manual” on the SMC website: <https://www.smcworld.com>

Air Supply

Warning

1. Air containing too much moisture may deteriorate product performance. Install a refrigerated air dryer or an aftercooler on the inlet side of the product.

Caution

1. Install a micro mist separator (AMD series) on the inlet side of the activated carbon filter (AMK series) to avoid performance degradation.

Maintenance

Warning

1. Replace the element according to the replacement timing explained below. Failure to do so may result in element breakage.
 - a. **AFF20 to 60-D, AM20 to 60-D, and AMD20 to 60-D**
Within 2 years from the start of use or prior to a product pressure drop (difference in outlet pressure in relation to the inlet pressure) of 0.1 MPa
 - b. **AMK20 to 60-D**
1 year from the start of use or before the service life reaches 2000 hours (The replacement timing of the element varies depending on the operating conditions. Even before the above replacement timing is reached, if an oil smell is emitted from the outlet, replace the element periodically thereafter.)

Caution

1. For the N.C. type auto drain, when there is no pressure, condensate, which is not enough to activate the auto drain mechanism, will remain in the bowl. It is recommended that the residual condensate be released manually at the end of each work day.
2. For models with an element service indicator or clogging switch, as the element becomes more clogged, the indicator will display an increasing level of red. Be sure to replace the element before the level of red reaches the top of the indicator.

Maintenance

Caution

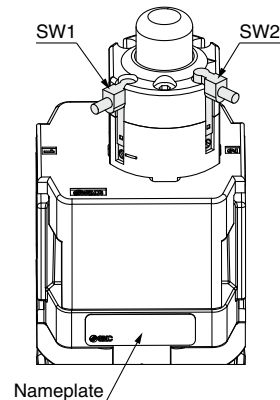
3. For the product equipped with a clogging switch, replace the element even if it has been used for 2 years or less when the installed auto switch (SW) is detected.

Element status when auto switch is detected

Symbol	No. of SW	Installation of SW	When SW is detected
-M	SW 1	No	—
	SW 2	Yes	Warning
-MM	SW 1	Yes	Caution
	SW 2	Yes	Warning

Caution: Replacement is recommended because the element is clogged.

Warning: The element is clogged, which may result in the destruction of the element. Be sure to replace the element.



4. Since the clogging switch does not have an output holding mechanism, note that the output will be OFF when there is no air flow in the element (when the equipment is stopped, etc.).

AFF/AM/AMD

AMK

Modular Connection Example

Accessories Sold Separately


Auto Switch


International Standard


Specific Product Precautions

Safety Instructions

These safety instructions are intended to prevent hazardous situations and/or equipment damage. These instructions indicate the level of potential hazard with the labels of “**Caution**,” “**Warning**” or “**Danger**.” They are all important notes for safety and must be followed in addition to International Standards (ISO/IEC)*1), and other safety regulations.

 **Danger** : **Danger** indicates a hazard with a high level of risk which, if not avoided, will result in death or serious injury.

 **Warning**: **Warning** indicates a hazard with a medium level of risk which, if not avoided, could result in death or serious injury.

 **Caution**: **Caution** indicates a hazard with a low level of risk which, if not avoided, could result in minor or moderate injury.

*1) ISO 4414: Pneumatic fluid power - General rules and safety requirements for systems and their components
ISO 4413: Hydraulic fluid power - General rules and safety requirements for systems and their components
IEC 60204-1: Safety of machinery - Electrical equipment of machines - Part 1: General requirements
ISO 10218-1: Robots and robotic devices - Safety requirements for industrial robots - Part 1: Robots etc.

Warning

1. The compatibility of the product is the responsibility of the person who designs the equipment or decides its specifications.

Since the product specified here is used under various operating conditions, its compatibility with specific equipment must be decided by the person who designs the equipment or decides its specifications based on necessary analysis and test results. The expected performance and safety assurance of the equipment will be the responsibility of the person who has determined its compatibility with the product. This person should also continuously review all specifications of the product referring to its latest catalog information, with a view to giving due consideration to any possibility of equipment failure when configuring the equipment.

2. Only personnel with appropriate training should operate machinery and equipment.

The product specified here may become unsafe if handled incorrectly. The assembly, operation and maintenance of machines or equipment including our products must be performed by an operator who is appropriately trained and experienced.

3. Do not service or attempt to remove product and machinery/equipment until safety is confirmed.

1. The inspection and maintenance of machinery/equipment should only be performed after measures to prevent falling or runaway of the driven objects have been confirmed.
2. When the product is to be removed, confirm that the safety measures as mentioned above are implemented and the power from any appropriate source is cut, and read and understand the specific product precautions of all relevant products carefully.
3. Before machinery/equipment is restarted, take measures to prevent unexpected operation and malfunction.

4. Our products cannot be used beyond their specifications. Our products are not developed, designed, and manufactured to be used under the following conditions or environments. Use under such conditions or environments is not covered.

1. Conditions and environments outside of the given specifications, or use outdoors or in a place exposed to direct sunlight.
2. Use for nuclear power, railways, aviation, space equipment, ships, vehicles, military application, equipment affecting human life, body, and property, fuel equipment, entertainment equipment, emergency shut-off circuits, press clutches, brake circuits, safety equipment, etc., and use for applications that do not conform to standard specifications such as catalogs and operation manuals.
3. Use for interlock circuits, except for use with double interlock such as installing a mechanical protection function in case of failure. Please periodically inspect the product to confirm that the product is operating properly.

Caution

We develop, design, and manufacture our products to be used for automatic control equipment, and provide them for peaceful use in manufacturing industries.

Use in non-manufacturing industries is not covered.

Products we manufacture and sell cannot be used for the purpose of transactions or certification specified in the Measurement Act.

The new Measurement Act prohibits use of any unit other than SI units in Japan.

Limited warranty and Disclaimer/ Compliance Requirements

The product used is subject to the following “Limited warranty and Disclaimer” and “Compliance Requirements”.

Read and accept them before using the product.

Limited warranty and Disclaimer

1. The warranty period of the product is 1 year in service or 1.5 years after the product is delivered, whichever is first.*2)
Also, the product may have specified durability, running distance or replacement parts. Please consult your nearest sales branch.
2. For any failure or damage reported within the warranty period which is clearly our responsibility, a replacement product or necessary parts will be provided.
This limited warranty applies only to our product independently, and not to any other damage incurred due to the failure of the product.
3. Prior to using SMC products, please read and understand the warranty terms and disclaimers noted in the specified catalog for the particular products.

*2) **Vacuum pads are excluded from this 1 year warranty.**

A vacuum pad is a consumable part, so it is warranted for a year after it is delivered. Also, even within the warranty period, the wear of a product due to the use of the vacuum pad or failure due to the deterioration of rubber material are not covered by the limited warranty.

Compliance Requirements

1. The use of SMC products with production equipment for the manufacture of weapons of mass destruction (WMD) or any other weapon is strictly prohibited.
2. The exports of SMC products or technology from one country to another are governed by the relevant security laws and regulations of the countries involved in the transaction. Prior to the shipment of a SMC product to another country, assure that all local rules governing that export are known and followed.

Revision History

Edition B * The AMK series activated carbon filter has been added.

* Number of pages has been increased from 16 to 24. ZO

Edition C * Sizes 50 and 60 have been added.

* An element service indicator has been added.

* Number of pages has been increased from 24 to 32. AP

Edition D * A clogging switch has been added.

* Number of pages has been increased from 32 to 36.

Safety Instructions

Be sure to read the “Handling Precautions for SMC Products” (M-E03-3) and “Operation Manual” before use.

SMC Corporation

Akihabara UDX 15F,
4-14-1, Sotokanda, Chiyoda-ku, Tokyo 101-0021, JAPAN
Phone: 03-5207-8249 Fax: 03-5298-5362
<https://www.smcworld.com>
© 2023 SMC Corporation All Rights Reserved

Specifications are subject to change without prior notice and any obligation on the part of the manufacturer.

D-G