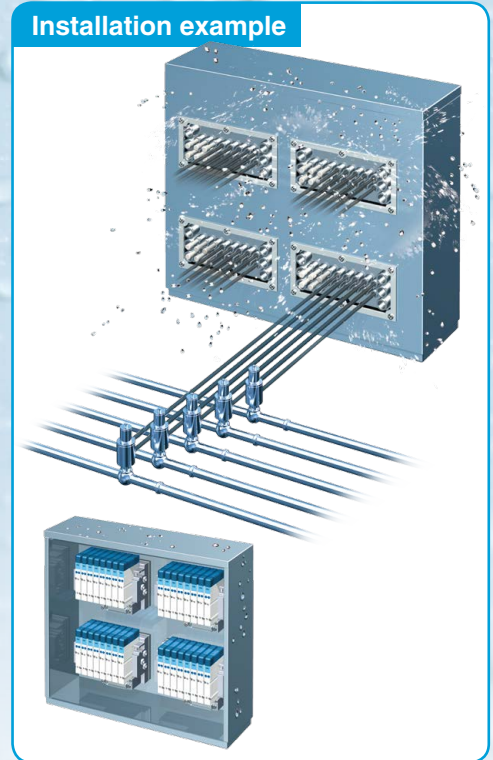
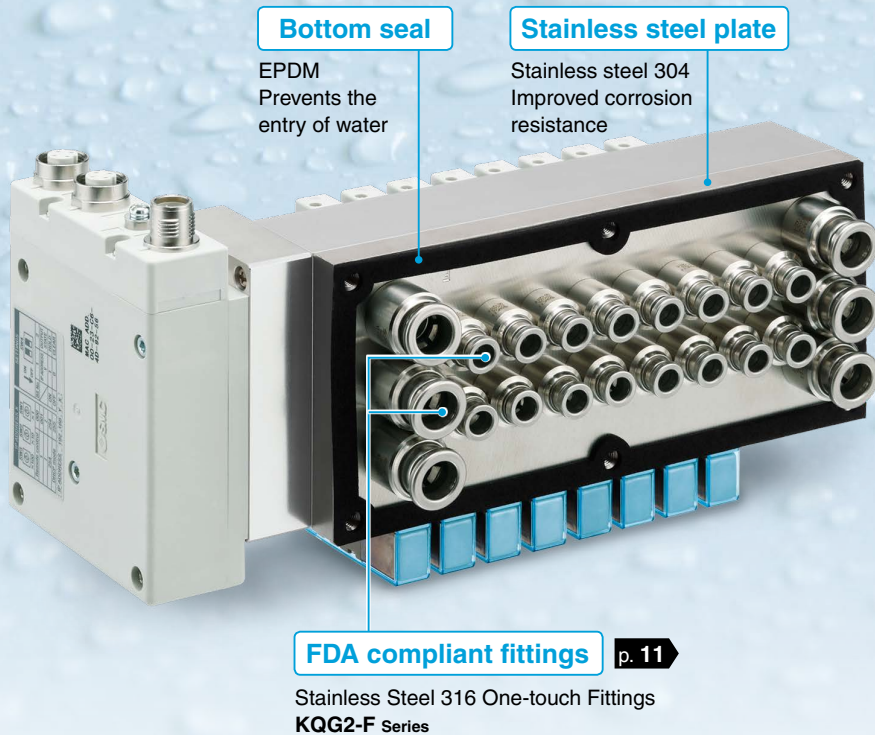
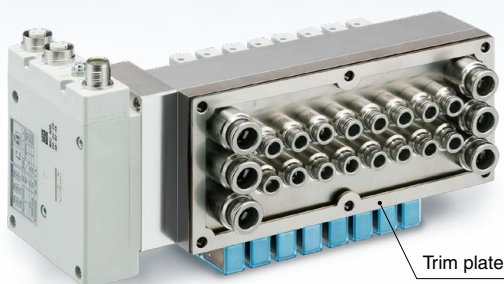


Plug-in Bottom Ported Manifold with Stainless Steel Plate

Bottom seal/stainless steel plate prevents the flooding of valves

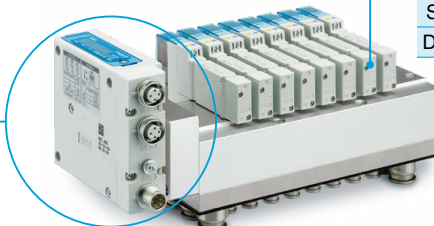
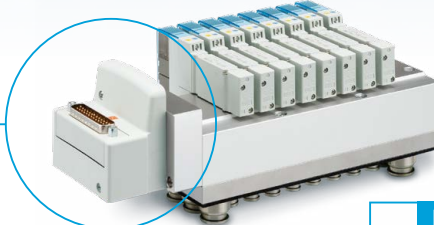


Trim plate (Option) p. 10



Wiring

D-sub connector/Flat ribbon cable/Terminal block box/Lead wire/
Serial unit (EX600, EX245, EX250, EX260)



| Manifold | |
|---------------|--------------------|
| Single wiring | 20, 24 stations |
| Double wiring | 8, 12, 16 stations |

JSY3000-S Series

Compatible with **EtherNet/IP** and **IO-Link** (EX260)

JSY3000-S Series Type 51

Plug-in Bottom Ported Manifold with Stainless Steel Plate

Manifold Specifications

| Model | D-sub connector | Flat ribbon cable | | | Terminal block box | |
|-------------------------------------------------------|-----------------------------------|----------------------------|----------------------------|-----------------------|------------------------------|------------------------|
| | F type | P type | PG type (20 pins) | TC type (Spring type) | T type (Screw clamping type) | |
| Number of pins/outputs | 25 pins | 26 pins | 20 pins | 32 outputs | 20 outputs | |
| Manifold type | Plug-in metal base, Bottom ported | | | | | |
| SUP/EXH port type | Common SUP/EXH | | | | | |
| Valve stations*1 | Double wiring | 8, 12 stations | 8, 12 stations | 8 stations | 8, 12, 16 stations | 8 stations |
| | Single wiring | 8, 12, 16, 20, 24 stations | 8, 12, 16, 20, 24 stations | 8, 12, 16 stations | 8, 12, 16, 20, 24 stations | 8, 12, 16, 20 stations |
| Port size | 4(A), 2(B) port | 1/8" (R, G, NPT) | | | | |
| | 1(P), 3(EB), 5(EA) port | 1/4" (R, G, NPT) | | | | |
| Enclosure (Bottom ported installation surface only)*2 | IP67 | | | | | |

*1 The wiring can only be all double wiring or all single wiring. The number of manifold stations is limited by the number of outputs of the SI units and connector assemblies connected. For the single wiring specification, only single valves can be mounted. Double, 3-position, or 4 position valves cannot be used with the single wiring specification.

*2 The enclosure IP rating is for when the product's bottom surface is mounted on a cabinet or panel. Equipped with valves, the electric wiring side is IP40.

Manifold Flow Rate Characteristics

| Model | Port size | | Valve flow rate characteristics*3 | | | |
|------------|---------------------|-------------|-----------------------------------|------|------------------------------|------|
| | 1, 5, 3 (P, EA, EB) | 4, 2 (A, B) | 1 → 4/2 (P → A/B) | | 4/2 → 5/3 (A/B → E) | |
| | | | C [dm ³ /(s·bar)] | b | C [dm ³ /(s·bar)] | b |
| JJ5SY3-S51 | G1/4" | G1/8" | 2.31 | 0.43 | 2.13 | 0.31 |

*3 The values are for an individually operated 2-position type manifold base with 8 stations.

* Calculation of effective area S and sonic conductance C: $S = 5.0 \times C$

Response Time/Valve Weight

| Series | Seal type | Model | Type of actuation | Response time [ms] (At 0.5 MPa)*4 | | Weight [g] |
|---------|-------------|---------------|------------------------------|-------------------------------------|--------|------------|
| | | | | With light/surge voltage suppressor | | |
| | | | | Z type | U type | |
| JSY3000 | Rubber seal | JSY3100 | 2-position single | 27 | 18 | 54.0 |
| | | JSY3200 | 2-position double | 13 | 12 | 63.0 |
| | | JSY3(3/4/5)00 | 3-position | 27 | 24 | 67.0 |
| | | JSY3(A/B/C)00 | 4-position dual 3-port valve | 23 | 23 | 63.0 |

*4 Based on the dynamic performance test, JIS B 8419-2010 (Coil temperature: 20°C, at rated voltage)

Manifold Weight

| Model | Description | Number of stations | | | | |
|--------------------|------------------------------|--------------------|------|------|------|------|
| | | 8 | 12 | 16 | 20 | 24 |
| JJ5SY3-S51S0-□□-01 | Manifold base | 1814 | 2359 | 2904 | 3444 | 4018 |
| JJ5SY3-S51S0-□□-C6 | Manifold base (With fitting) | 2317 | 2955 | 3593 | 4226 | 4893 |
| JSY31M-191P-1A-□□ | Trim plate | 38.0 | 48.1 | 58.3 | 68.4 | 75.5 |

* The "□□" indicates the number of stations.

* To obtain the weight with valves attached, add the valve weights given above for the appropriate number of stations.

* Add the weight of option "P" (trim plate) separately.

* The weights of connector assemblies and SI units are not included. Add the weights on the next page. For I/O units, refer to the JSY series **Web Catalog** and add the weights separately.



Valve and manifold specifications not listed are the same as those of the standard product. More information can be viewed here.

| Lead wire | | | Serial wiring | | | | | None |
|-----------------------------------|--------------------|------------|----------------------------|----------------------------|----------------------------|----------------------------|--------------------|----------------------------|
| L type | | | S6□ (EX600) | SA□ (EX245) | S□ (EX250) | S□ (EX260) | | S0 |
| 34 cores | 17 cores | 9 cores | 32 outputs | 32 outputs | 32 outputs | 32 outputs | 16 outputs | 32 outputs |
| Plug-in metal base, Bottom ported | | | | | | | | |
| Common SUP/EXH | | | | | | | | |
| 8, 12, 16 stations | 8 stations | — | 8, 12, 16 stations | 8, 12, 16 stations | 8, 12, 16 stations | 8, 12, 16 stations | 8 stations | 8, 12, 16 stations |
| 8, 12, 16, 20, 24 stations | 8, 12, 16 stations | 8 stations | 8, 12, 16, 20, 24 stations | 8, 12, 16, 20, 24 stations | 8, 12, 16, 20, 24 stations | 8, 12, 16, 20, 24 stations | 8, 12, 16 stations | 8, 12, 16, 20, 24 stations |
| 1/8" (R, G, NPT) | | | | | | | | |
| 1/4" (R, G, NPT) | | | | | | | | |
| IP67 | | | | | | | | |

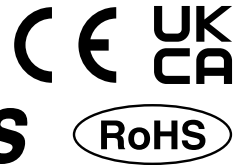
Connector Assembly and SI Unit Weight

Unit: g

| Description | Model | Part no. | Weight |
|--------------------|---------------------|-----------------|--------|
| D-sub connector | F | VVQC1000-F25-1 | 80 |
| Flat ribbon cable | P | VVQC1000-P26-1 | 70 |
| | PG | VVQC1000-P20-1 | 70 |
| Terminal block box | TC | SY30M-130-1A | 227 |
| | T | VVQC1000-T0-1 | 439 |
| Lead wire | L (34 cores, 0.6 m) | SY30M-14-4A-1-1 | 176 |
| | L (34 cores, 1.5 m) | SY30M-14-4A-1-2 | 276 |
| | L (34 cores, 3 m) | SY30M-14-4A-1-3 | 579 |
| | L (17 cores, 0.6 m) | SY30M-14-4A-2-1 | 133 |
| | L (17 cores, 1.5 m) | SY30M-14-4A-2-2 | 192 |
| | L (17 cores, 3 m) | SY30M-14-4A-2-3 | 327 |
| | L (9 cores, 0.6 m) | SY30M-14-4A-3-1 | 121 |
| | L (9 cores, 1.5 m) | SY30M-14-4A-3-2 | 164 |
| Serial unit | S6□ | EX600-S□-□*1 | 300 |
| | SA□ | EX245-SPN1/2A | 465 |
| | | EX245-SPN3A | 540 |
| | | EX245-FPS1/2 | 1100 |
| | | EX245-FPS3 | 1200 |
| | S□ | EX250-S□-□*1 | 250 |
| | S□ | EX260-S□-□*1 | 200 |

*1 For details, refer to the **Web Catalog** of the plug-in JSY series.

Plug-in Bottom Ported Manifold with Stainless Steel Plate



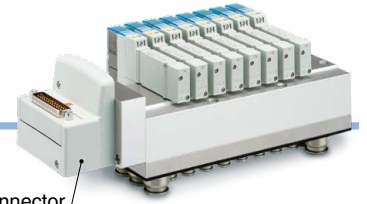
Type 51
Bottom Ported

JSY3000-S Series

D-sub connector/Flat ribbon cable/Terminal block box/Lead wire

Refer to page 5 for How to Order Manifolds for serial wiring.

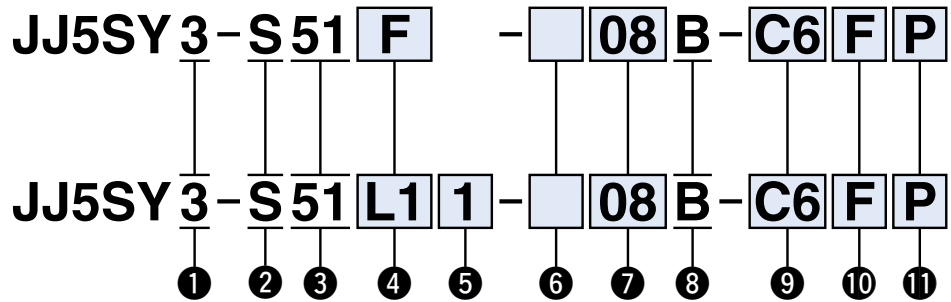
How to Order Manifolds



D-sub connector

- Connector entry direction adjustable D-sub connector
- Connector entry direction adjustable flat ribbon cable
- (Spring type) Terminal block box

Lead wire



1 Series

| | |
|---|---------|
| 3 | JSY3000 |
|---|---------|

2 Manifold with stainless steel plate

3 Plug-in metal base, Bottom ported

4 Wiring/Connection

| Symbol | Type |
|--------|------------------------------------------------------------------|
| F | Connector entry direction adjustable D-sub connector (25 pins) |
| P | Connector entry direction adjustable flat ribbon cable (26 pins) |
| PG | Connector entry direction adjustable flat ribbon cable (20 pins) |
| TC | Spring type terminal block box (32 outputs) |
| T | Terminal block box (20 outputs) |
| L1 | Lead wire (34 cores) |
| L2 | Lead wire (17 cores) |
| L3 | Lead wire (9 cores) |

* Refer to the manifold specifications on pages 1 and 2 for details on wiring.

5 Lead wire length When lead wire "L1," "L2," or "L3" is selected

| | |
|---|-------|
| 1 | 0.6 m |
| 2 | 1.5 m |
| 3 | 3 m |

6 Wiring type

| Symbol | Note |
|--------|-------------------------|
| Nil | All double wiring*1 |
| S | All single wiring*2, *3 |

- *1 2-position single, 2-position double, 3-position, and 4-position valves can be used on all manifold stations.
- *2 Only single valves can be used. Other valves cannot be used.
- *3 Only the single wiring specification can be selected if 20 or 24 stations is required. (Add an "S" to the part number when ordering.)

7 Valve stations

| Symbol | Stations | Note |
|--------|-------------|---------------------|
| 08 | 8 stations | All double wiring*4 |
| 12 | 12 stations | |
| 16 | 16 stations | |
| 20 | 20 stations | All single wiring |
| 24 | 24 stations | |

*4 Depending on the wiring (type) and connection methods, it may be changed to the single wiring specification.

8 1(P), 5(EA)/3(EB) port entry

| | |
|---|------------|
| B | Both sides |
|---|------------|

9 4(A)/2(B) port size One-touch fitting*5 p. 11

| Symbol | 4(A)/2(B) port | 1(P)/3(EB), 5(EA) port |
|--------|----------------|------------------------|
| C6 | ø6 | ø10 |
| C8 | ø8 | |
| N7 | ø1/4" | ø3/8" |

Thread piping

| Symbol | 4(A)/2(B) port | 1(P)/3(EB), 5(EA) port |
|--------|----------------|------------------------|
| 01 | 1/8 | 1/4 |

*5 Fittings are shipped together with the product. In addition, the thread of the enclosed fitting is a G thread. For details, refer to page 11.

10 Thread type (Fill in only for thread piping.)

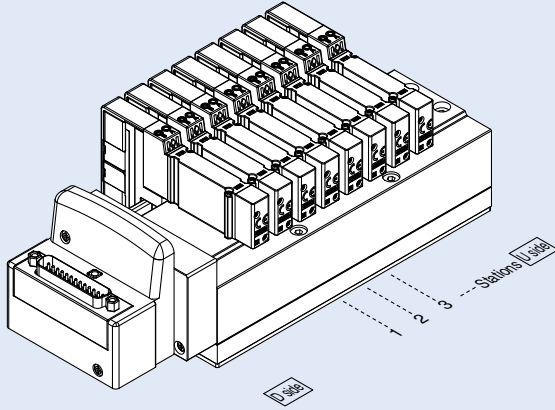
| | |
|-----|-----|
| Nil | Rc |
| F | G |
| N | NPT |

11 Option p. 10

| | |
|-----|------------|
| Nil | None |
| P | Trim plate |

How to Order Manifold Assembly

Example (JJ5SY3-S51F-08B-01)



JJ5SY3-S51F-08B-01 ... 1 set (8-station manifold base part no.)
 * JSY3200-5U 4 sets (2-position double part no.)
 * JSY3A00-5U 4 sets (4-position dual 3-port (N.C./N.C.) part no.)
 → The asterisk denotes the symbol for the assembly.
 Prefix it to the part numbers of the valve, etc.

- For the valve arrangement, the valve closest to the D side is considered the 1st station.
- Under the manifold part number, state the valves to be mounted in order starting with the 1st station as shown in the figure. If the arrangement becomes too complicated, specify the details on a manifold specification sheet.

How to Order Valves

Refer to pages 3, 5, and 6 for How to Order Manifolds.

JSY 3 1 0 0 - 5 Z

1
 2
 3
 4

1 Type of actuation

| | | |
|---|------------------------|-----------------|
| 1 | 2-position | Single |
| 2 | | Double |
| 3 | 3-position | Closed center |
| 4 | | Exhaust center |
| 5 | | Pressure center |
| A | 4-position dual 3-port | N.C./N.C. |
| B | | N.O./N.O. |
| C | | N.C./N.O. |

2 Coil specifications

| | |
|-----|--------------------------------------------------|
| Nil | Standard |
| T | With power-saving circuit (Continuous duty type) |

* Be careful of the energizing time when the power-saving circuit is selected.

3 Light/surge voltage suppressor

| Symbol | With light | Surge voltage suppressor | Common specification |
|--------|------------|--------------------------|-----------------------|
| U | | | Non-polar |
| Z | ● | ● | Polar Positive common |
| NZ | | | Polar Negative common |

* Only "Z" and "NZ" types are available with a powersaving circuit.

* When the non-polar common specification type is selected, take measures to prevent surge voltage.

4 Manual override

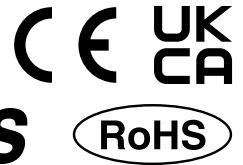
| | |
|-----|--------------------------------|
| Nil | Non-locking push type |
| D | Push-turn locking slotted type |
| E | Push-turn locking lever type |

⚠ Caution

· If the product is to be continuously energized, please be sure to select the power-saving circuit (continuous duty type) specification.

* Refer to the "With power-saving circuit" section in the "Specific Product Precautions" of the plugin type JSY series **Web Catalog** for details.

Plug-in Bottom Ported Manifold with Stainless Steel Plate



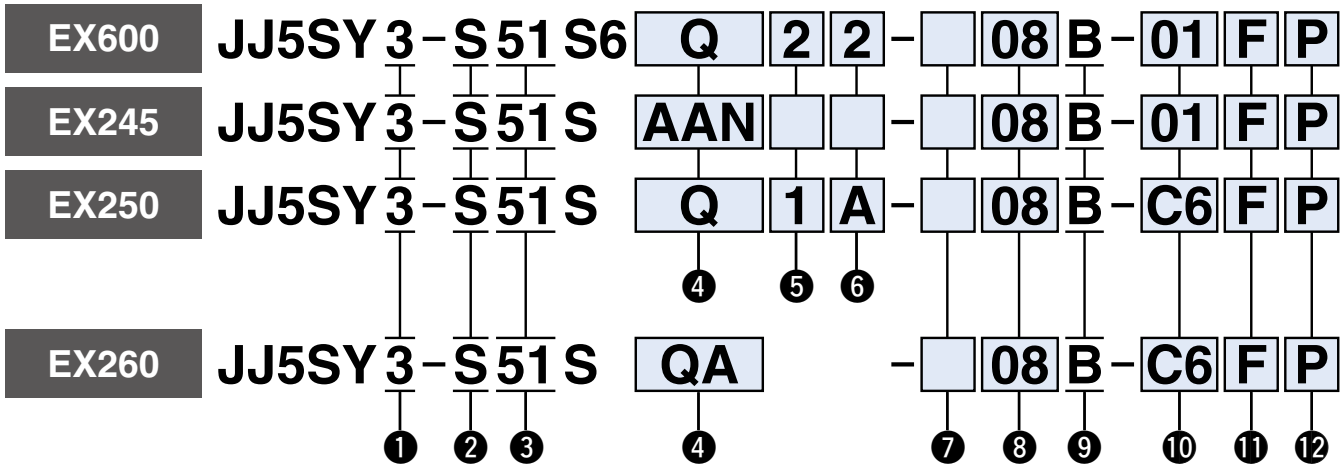
Type 51
Bottom Ported

JSY3000-S Series

Serial wiring

Refer to page 3 for How to Order Manifolds for the D-sub connector, flat ribbon cable, terminal block box, and lead wire.

How to Order Manifolds



- ① Series
3 JSY3000
- ② Manifold with stainless steel plate
- ③ Plug-in metal base, Bottom ported

For EX600

④ SI unit

| | |
|----|-----------------------------------------|
| 0 | Without SI unit |
| Q | DeviceNet® (Version A) |
| N | PROFIBUS DP (Version A) |
| V | CC-Link |
| EA | EtherNet/IP™ (2 ports) |
| F | PROFINET |
| FA | PROFINET (IO-Link unit) |
| WE | EtherNet/IP™ compatible wireless base*1 |
| WF | PROFINET compatible wireless base*1 |
| WS | Wireless remote*1 |

- *1 The wireless system is suitable for use only in a country where it is in accordance with the Radio Act and regulations of that country.
- * I/O unit cannot be mounted without SI unit.
- * Valve plate which connects manifold and SI unit is included, but it is not mounted to a valve without SI unit. For mounting, refer to the EX600 series in the **Web Catalog**.

⑤ SI unit output polarity, End plate type (Part no.)

| SI unit output polarity | M12 power supply connector B-coded (EX600-ED2) | 7/8 inch power supply connector (EX600-ED3) | M12 power supply connector IN/OUT, A-coded | |
|-------------------------|------------------------------------------------|---------------------------------------------|--------------------------------------------|-------------------------------|
| | | | Pin arrangement 1 (EX600-ED4) | Pin arrangement 2 (EX600-ED5) |
| Without SI unit | Nil | | | |
| SI unit Positive common | 2 | 3 | 6 | 8 |
| SI unit Negative common | 4 | 5 | 7 | 9 |

- * Ensure a match with the common specification of the valve to be used.
- * When not selecting an SI unit, the symbol will be "nil."

⑥ I/O unit stations

| | |
|-----|------------|
| Nil | None |
| 1 | 1 station |
| : | : |
| 9 | 9 stations |

- * When not selecting an SI unit, the symbol will be "nil."
- * SI unit is not included in I/O unit stations.
- * When I/O unit is selected, it is shipped separately, and assembled by users. Refer to the attached operation manual for mounting.

For EX245

④ SI unit

| Symbol (Output polarity) | Protocol | Communication connector | Communication connector specifications |
|--------------------------|----------|--------------------------|----------------------------------------|
| Negative common (PNP) | | | |
| 0 | | Without SI unit | |
| AAN | PROFINET | Push/Pull (SCRJ): 2 pcs. | Push/Pull (24 V): 2 pcs. |
| ABN | | Push/Pull (RJ45): 2 pcs. | Push/Pull (24 V): 2 pcs. |
| ACN | | M12: 2 pcs. | 7/8 inch: 2 pcs. |

- * The valve output polarity for the SI unit is negative common (PNP).

⑤ With or without I/O modules

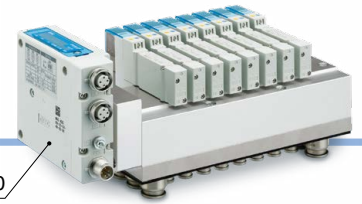
| | |
|-----|--------------------|
| Nil | Without I/O module |
| Y | With I/O module |

- * When not selecting an SI unit, the symbol will be "nil."

⑥ Number of I/O modules

| | |
|-----|--------------------|
| Nil | Without I/O module |
| 1 | 1 station |
| : | : |
| 8 | 8 stations |

- * When not selecting an SI unit, the symbol will be "nil."



EX260

For EX250

4 SI unit

| Symbol | Without SI unit | |
|-----------|--------------------------------|------------|
| 0 | Without SI unit | |
| Q | DeviceNet® (Negative common) | |
| N | PROFIBUS DP (Negative common) | |
| TA | 2 power supply systems | 8 in/8 out |
| TB | | 4 in/4 out |
| TC | 1 power supply system | 8 in/8 out |
| TD | | 4 in/4 out |
| Y | CANopen (Negative common) | |
| ZE | EtherNet/IP™ (Negative common) | |

- * Ensure a match with the common specification of the valve to be used.
- * Input block cannot be mounted without SI unit.
- * The supply current from the SI unit of AS-Interface applicable 1 power supply system specification to the input block and valve is limited.

5 Input block stations

| | |
|------------|------------|
| Nil | None |
| 1 | 1 station |
| ⋮ | ⋮ |
| 8 | 8 stations |

- * When not selecting an SI unit, the symbol will be "nil." The maximum number of stations is limited for the AS-Interface applicable SI unit.

6 Input block type

| | PNP sensor input | NPN sensor input |
|---------------------|------------------|------------------|
| Without input block | Nil | |
| M12, 2 inputs | A | D |
| M12, 4 inputs | B | E |
| M8, 4 inputs | C | F |

- * When not selecting an SI unit, the symbol will be "nil."

For EX260

4 SI unit (Output polarity, Protocol, Number of outputs, Communication connector)

| Symbol (Output polarity) | | Protocol | Number of outputs | Communication connector | Symbol (Output polarity) | | Protocol | Number of outputs | Communication connector |
|--------------------------|-----------------------|-----------------|-------------------|-------------------------|--------------------------|-----------------------|------------|-------------------|-------------------------|
| Positive common (NPN) | Negative common (PNP) | | | | Positive common (NPN) | Negative common (PNP) | | | |
| 0 *1 | | Without SI unit | | | DA | DAN | EtherCAT | 32 | M12 |
| QA | QAN | DeviceNet® | 32 | M12 | DB | DBN | | 16 | |
| QB | QBN | | PROFIBUS DP | | 16 | D-sub*3 | FA | FAN | 32 |
| NA | NAN | 32 | | 16 | FB | | FBN | | |
| NB | NBN | 16 | | | 32 | | EA | EAN | EtherNet/IP™ |
| NC | NCN | 32 | | 16 | | | EB | EBN | |
| ND | NDN | CC-Link | 16 | M12 | —*2 | GAN | Ethernet | 32 | M12 |
| VA | VAN | | 32 | | 16 | —*2 | GBN | POWERLINK | |
| VB | VBN | | 16 | | —*2 | KAN | IO-Link | 32*4 | M12 |

- *1 Without SI unit, the output polarity is decided by the SI unit used. Ensure a match with the common specification of the valves to be used.
- *2 Positive common (NPN) type is not available.

- *3 IP40 for the D-sub applicable communication connector specification.
- *4 Only the 32 outputs type is available.
- * DIN rail cannot be mounted without SI unit.

7 Wiring type

| Symbol | Note |
|------------|-------------------------|
| Nil | All double wiring*1 |
| S | All single wiring*2, *3 |

- *1 2-position single, 2-position double, 3-position, and 4-position valves can be used on all manifold stations.
- *2 Only single valves can be used. Other valves cannot be used.
- *3 Only the single wiring specification can be selected if 20 or 24 stations is required. (Add an "S" to the part number when ordering.)

8 Valve stations

| Symbol | Stations | Note |
|-----------|-------------|---------------------|
| 08 | 8 stations | All double wiring*1 |
| 12 | 12 stations | |
| 16 | 16 stations | |
| 20 | 20 stations | All single wiring |
| 24 | 24 stations | |

- *1 Depending on the wiring (type) and connection methods, it may be changed to the single wiring specification.

10 4(A)/2(B) port size

| Symbol | 4(A)/2(B) port | 1(P)/3(EB), 5(EA) port |
|-----------|----------------|------------------------|
| C6 | ø6 | ø10 |
| C8 | ø8 | |
| N7 | ø1/4" | ø3/8" |

Thread piping

| Symbol | 4(A)/2(B) port | 1(P)/3(EB), 5(EA) port |
|-----------|----------------|------------------------|
| 01 | 1/8 | 1/4 |

- *1 Fittings are shipped together with the product. In addition, the thread of the enclosed fitting is a G thread. For details, refer to page 11.

Trademark

EtherNet/IP® is a registered trademark of ODVA, Inc.

11 Thread type (Fill in only for thread piping.)

| | |
|------------|-----|
| Nil | Rc |
| F | G |
| N | NPT |

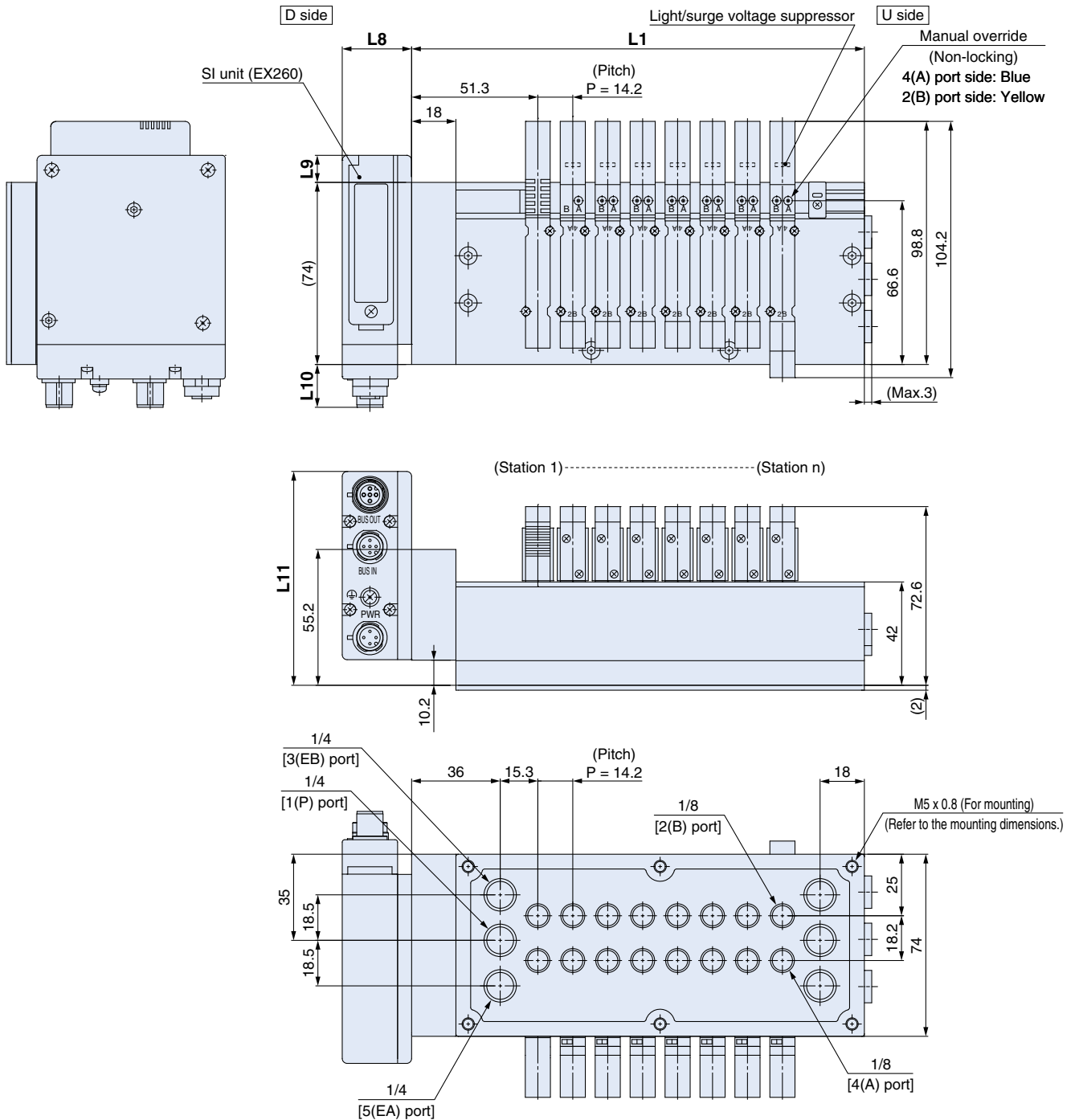
12 Option p. 10

| | |
|------------|------------|
| Nil | None |
| P | Trim plate |

JSY3000-S Series

Dimensions

JJ5SY3-S51□□- Stations B-01□



* These figures show the JJ5SY3-51SFAN-08B-01.

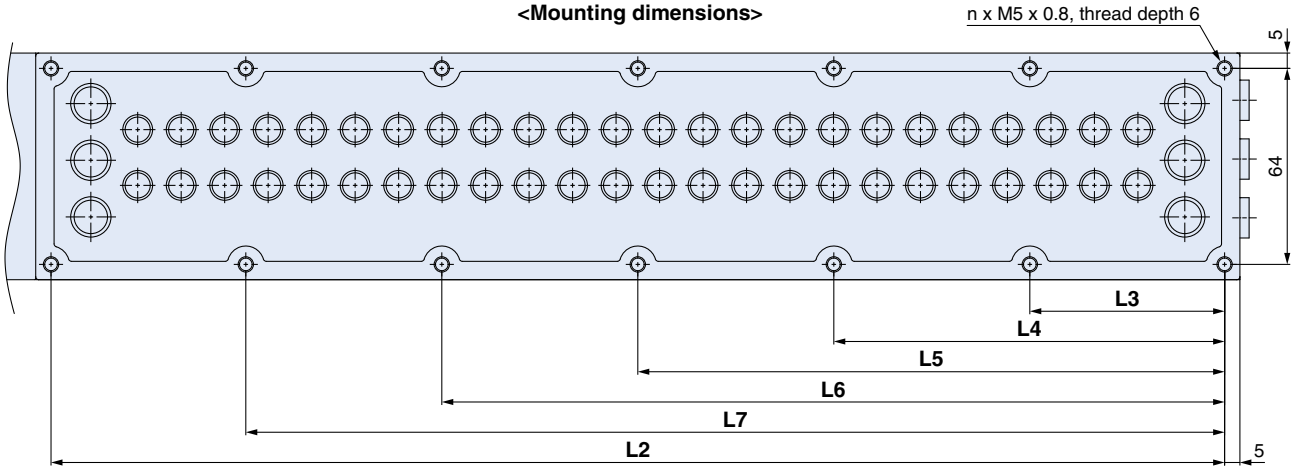
L: Dimensions (Manifold model: JJ5SY1-S51S0-□□-01)

| | D-sub | Flat ribbon | Terminal block | | Lead wire | Serial | | | |
|-----|-------|-------------|----------------|------|-----------|--------|-------|-------|-------|
| | F | P | TC | T | L | EX600 | EX245 | EX250 | EX260 |
| L8 | 36.5 | 36.5 | 67.5 | 88.8 | 36.5 | 81.0 | 112.6 | 102.0 | 28.2 |
| L9 | 1.0 | 1.0 | 28.4 | 35.9 | -1.4 | 23.4 | 23.4 | 4.0 | 11.0 |
| L10 | -8.2 | -8.2 | 0.2 | 15.1 | 11.8 | 8.6 | 34.8 | 10.2 | 17.4 |
| L11 | 70.2 | 70.2 | 81.2 | 87.9 | 66.8 | 66.8 | 102.2 | 70.2 | 86.9 |

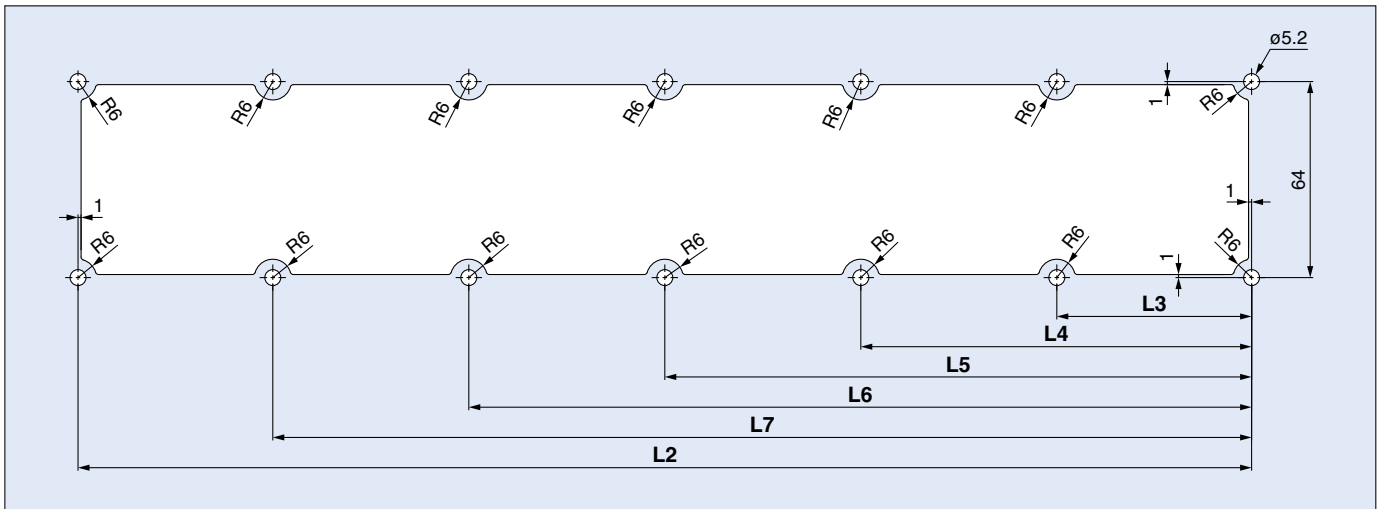
□□: Number of stations

Dimensions

JJ5SY3-S51□□-Stations B-01□



Panel cutout dimensions

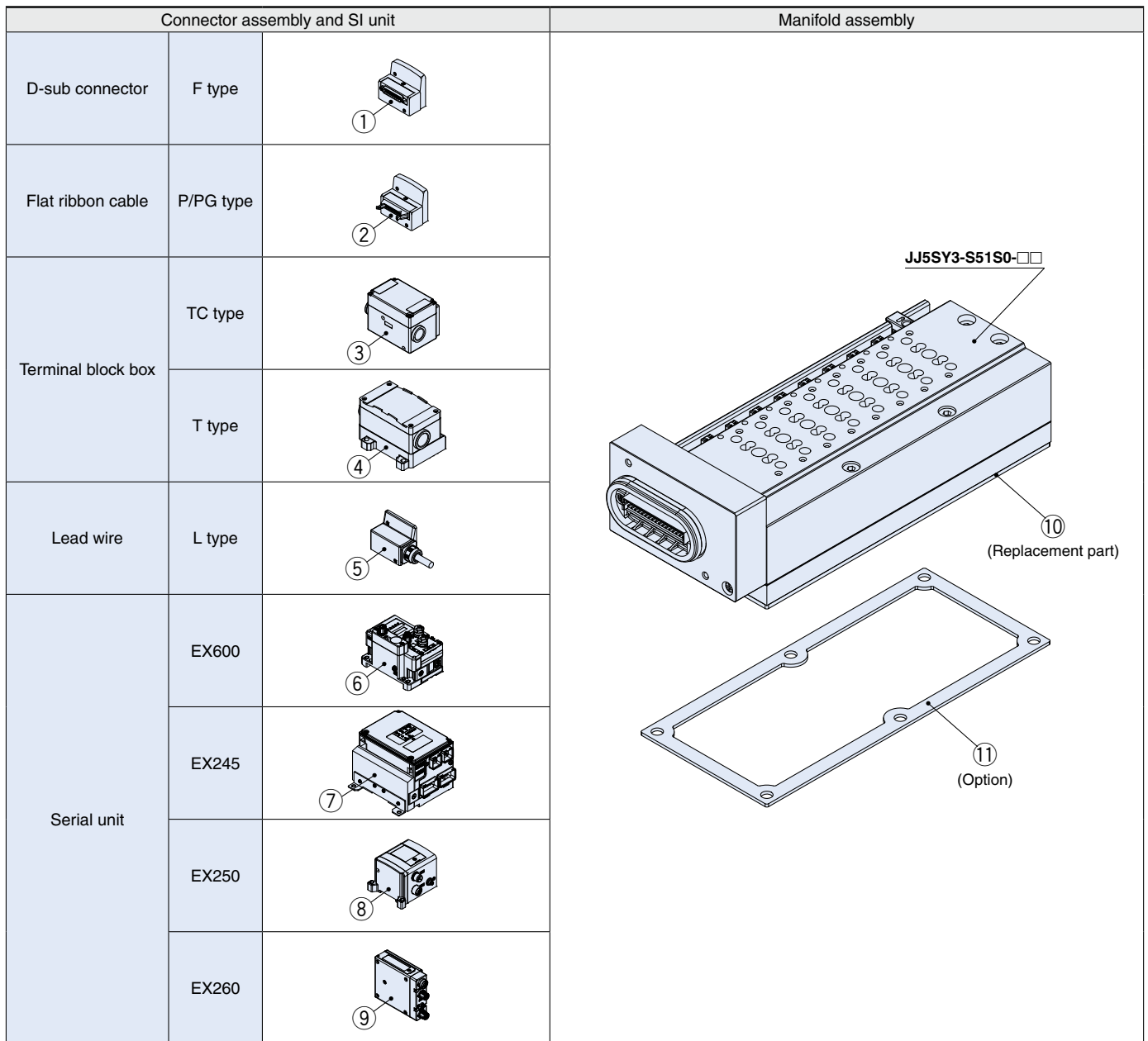


L: Dimensions (Manifold model: JJ5SY1-S51S0-□□-01)

| Stations | 8 | 12 | 16 | 20 | 24 |
|-----------|-------|-------|-------|-------|-------|
| L1 | 184.0 | 240.8 | 297.6 | 354.4 | 411.2 |
| L2 | 156.0 | 212.8 | 269.6 | 326.4 | 383.2 |
| L3 | 78.0 | 71.0 | 67.4 | 65.7 | 63.6 |
| L4 | — | 141.8 | 134.8 | 130.7 | 127.6 |
| L5 | — | — | 202.2 | 195.7 | 191.6 |
| L6 | — | — | — | 260.7 | 255.6 |
| L7 | — | — | — | — | 319.6 |

□□: Number of stations

JSY3000-S Series Manifold Exploded View



Assembly and Part Nos.

| No. | Description | Part no. | Note |
|-----|---------------------------|-----------------|---------------------------------|
| 1 | D-sub connector | VVQC1000-F25-1 | 25 pins |
| 2 | Flat ribbon cable | VVQC1000-P26-1 | 26 pins |
| | | VVQC1000-P20-1 | 20 pins |
| 3 | Terminal block box | SY30M-130-1A | 32 outputs, Spring type |
| 4 | Terminal block box | VVQC1000-T0-1 | 20 outputs, Screw clamping type |
| 5 | Lead wire | SY30M-14-4A-1-1 | 34 cores, 0.6 m |
| | | SY30M-14-4A-1-2 | 34 cores, 1.5 m |
| | | SY30M-14-4A-1-3 | 34 cores, 3 m |
| | | SY30M-14-4A-2-1 | 17 cores, 0.6 m |
| | | SY30M-14-4A-2-2 | 17 cores, 1.5 m |
| | | SY30M-14-4A-2-3 | 17 cores, 3 m |
| | | SY30M-14-4A-3-1 | 9 cores, 0.6 m |
| | | SY30M-14-4A-3-2 | 9 cores, 1.5 m |
| | | SY30M-14-4A-3-3 | 9 cores, 3 m |

| No. | Description | Part no. | Note |
|-----|--------------------|------------------|-----------------------|
| 6 | | EX600-S□-□*1 | |
| | | EX245-SPN1/2A | |
| 7 | Serial unit | EX245-SPN3A | |
| | | EX245-FPS1/2 | |
| | | EX245-FPS3 | |
| 8 | | EX250-S□-□*1 | |
| 9 | | EX260-S□-□*1 | |
| 10 | Bottom seal | JSY31M-90P-1A-□ | □: Number of stations |
| 11 | Trim plate | JSY31M-191P-1A-□ | □: Number of stations |

*1 For details, refer to the **Web Catalog** of the plug-in JSY series.

JSY3000-S Series Options

Option/Replacement Part Nos.

Trim Plate

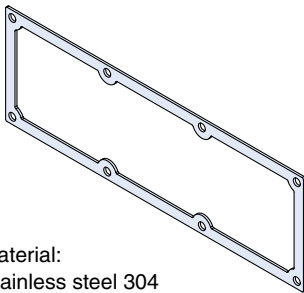
- A decorative panel to make the appearance look clean when used with a roughly cut cabinet
- If the wall of the cabinet is thin and the gasket seals are not uniform, it can be attached to stabilize the gasket seating force.

JSY31M-191P-1A-8

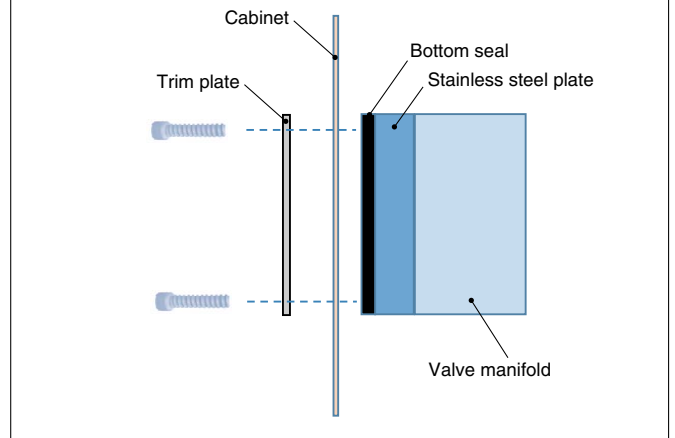
Thread piping

| Symbol | Stations |
|--------|----------|
| 8 | 8 |
| 12 | 12 |
| 16 | 16 |
| 20 | 20 |
| 24 | 24 |

Material:
Stainless steel 304



Mounting example



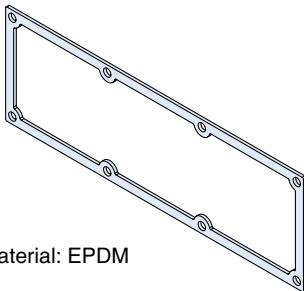
Bottom Seal

JSY31M-90P-1A-8

Thread piping

| Symbol | Stations |
|--------|----------|
| 8 | 8 |
| 12 | 12 |
| 16 | 16 |
| 20 | 20 |
| 24 | 24 |

Material: EPDM



Blanking Plate

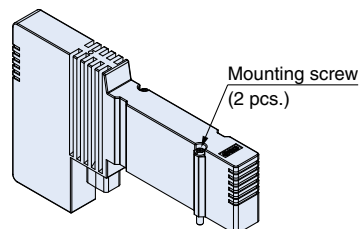
[With 2 mounting screws]

Used when valve additions are expected or for maintenance

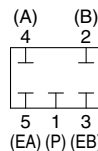
JSY 3 1M-26P-2A

Series

| | |
|---|---------|
| 3 | JSY3000 |
|---|---------|



JSY31M-26P-2A



Circuit diagram

Caution

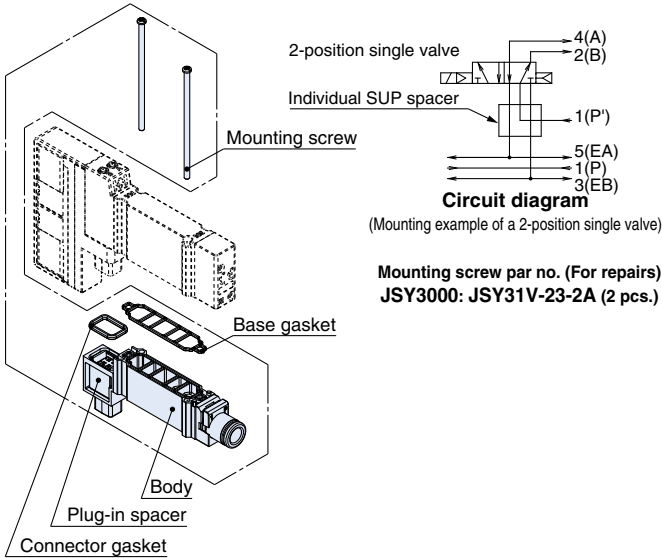
Tightening torque for mounting screws
M2: 0.16 N·m (JSY3000)

JSY3000-S Series

Option/Replacement Part Nos.

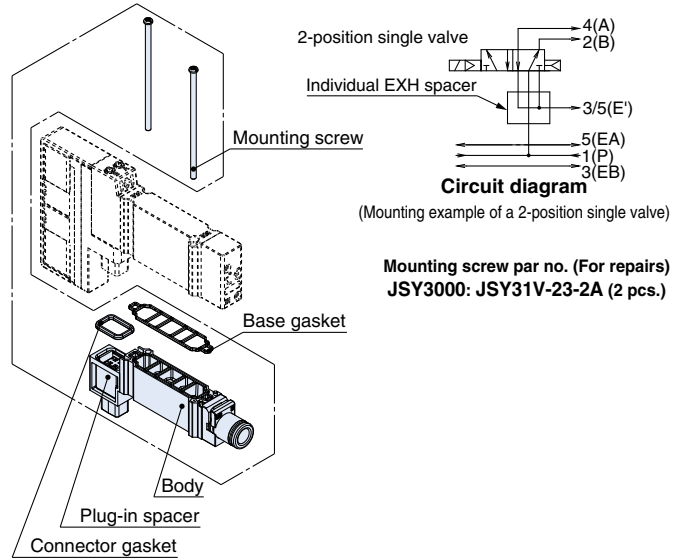
Individual SUP Spacer

[With a connector gasket, a base gasket, and two mounting screws]
When the same manifold is to be used for different pressures, an individual SUP spacer assembly can be used to act as a supply port for different pressures.

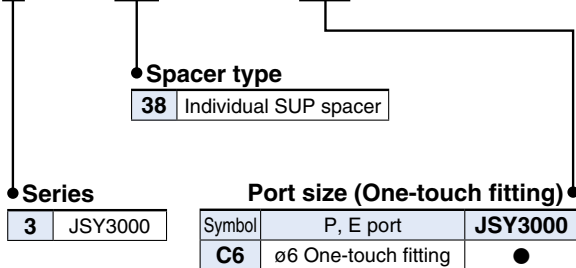


Individual EXH spacer

[With a connector gasket, a base gasket, and two mounting screws]
When valve exhaust affects other stations due to the circuit configuration, this spacer can be used for individual valve exhaust.



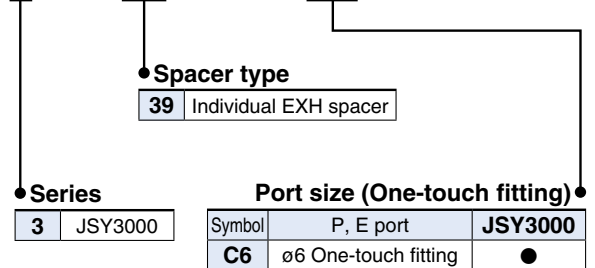
JSY 3 1M-38 P-1A-C6



Caution

Tightening torque for mounting screw
M2: 0.16 N·m (JSY3000)

JSY 3 1M-39 P-1A-C6



Caution

Tightening torque for mounting screw
M2: 0.16 N·m (JSY3000)

FDA Compliant Fittings/Stainless Steel 316 One-touch Fittings

| Symbol | Fitting part no. | |
|--------|-------------------|-------------------------|
| | 4(A), 2(B) port | 1(P), 3(EB), 5(EA) port |
| C6 | KQG2S06-G01-F | KQG2S10-G02-F |
| C8 | KQG2S08-G01-F | |
| N7 | KQG2S07-G01-F-X73 | KQG2S11-G02-F-X73 |

Tighten fittings with sealant using the proper tightening torques in the table below.


| Connection thread size | Proper tightening torque [N·m] |
|------------------------|--------------------------------|
| G01(G1/8) | 3 to 5 |
| G02(G1/4) | 8 to 12 |

Insufficient tightening may cause seal failure or loosen the threads.
For reuse
(1) Normally, fittings with a sealant can be reused up to 6 to 10 times.
(2) The seal ring cannot be replaced.
For other precautions, refer to the specific product precautions in the **Web Catalog** of the KQG2-F series.





**Plug-in Bottom Ported Manifold
with Stainless Steel Plate**

 **Safety Instructions** Be sure to read the “Handling Precautions for SMC Products” (M-E03-3) and “Operation Manual” before use.

SMC Corporation

Akihabara UDX 15F,
4-14-1, Sotokanda, Chiyoda-ku, Tokyo 101-0021, JAPAN
Phone: 03-5207-8249 Fax: 03-5298-5362
<https://www.smcworld.com>
© 2022 SMC Corporation All Rights Reserved

Specifications are subject to change without prior notice
and any obligation on the part of the manufacturer.

D-G