

Series 10-AS-FSG

Push-lock Type

RoHS

Speed Controller with Indicator
Stainless Steel Type (Elbow/Universal)



How to Order

Port size	
M5	M5 x 0.8
U10/32	10-32UNF

Type	
2	Elbow
3	Universal

Body size	
1	M5 x 0.8 10-32UNF

Stainless steel type
Note 1) Metric size and inch size types can be visually identified by color of the release button.
Stainless steel type: White
Note 2) White is also used for inch size.

Applicable tubing O.D. (Note 1)

Metric size		Inch size	
02	ø2	01	ø1/8"
23	ø3.2 (Note 2)	03	ø5/32"
04	ø4	07	ø1/4"
06	ø6		

Note 1) For selecting applicable tubing O.D., refer to the "Model" on the table below.
Metric size and inch size types can be visually identified by color of the release button.
Stainless steel type: White
White is also used for inch size.
Note 2) Use ø1/8" tubing.

Body size 1

10 - AS 1 2 0 1F S G - M5 - 06

Body size 2/3/4

10 - AS 2 2 0 1F S G - 01 - 06 S

Clean series

Body size	
2	1/8, 1/4
3	3/8
4	1/2

With indicator

Indicator window direction

Control type (Note)

0	Meter-out
1	Meter-in

Note) Meter-out and meter-in types can be visually identified by color of the knob.
Meter-out: Gray
Meter-in: Light blue

Indicator window direction	Indicator window	Indicator window direction	
		Elbow	Universal
Nil	0°	•	—
1	180°	•	•
2	90°	•	—
3	270°	•	—

Note) Orientation of indicator direction is fixed when manufacturing, and cannot be changed by the user. In addition, the universal type is only available with 180° setting.

Applicable tubing O.D. (Note 1)

Metric size		Inch size (Note 3)	
23	ø3.2 (Note 2)	01	ø1/8"
04	ø4	03	ø5/32"
06	ø6	07	ø1/4"
08	ø8	09	ø5/16"
10	ø10	11	ø3/8"
12	ø12	13	ø1/2"
16	ø16		

Note 1) For selecting applicable tubing O.D., refer to the "Model" on the table below.
Note 2) Use ø1/8" tubing.
Note 3) Only the metric size is available for the G thread type.

Port size

01	1/8
02	1/4
03	3/8
04	1/2

Seal method

Nil	Without sealant
S	With sealant

Note) Face seal type is used for the G thread type.
Select "Nil/Without sealant".
Example) 10-AS2201FSG-G01-06

Thread type

Nil	R
N	NPT
G	G

Model

Model	Port size	Seal method	Applicable tubing O.D.											Note 3) Max. number of rotations			
			Metric size						Inch size								
			2 (Note 2)	3.2	4	6	8	10	12	16	1/8"	5/32"	1/4"		5/16"	3/8"	1/2"
10-AS1□□1FSG□□M5	M5 x 0.8	Gasket seal	• (Note 4)	•	•	•	•	•									8
10-AS1□□1FSG□□U10/32	10-32UNF		• (Note 4)	•	•	•	•										
10-AS2□□1FSG□□01	R NPT	Sealant (Note 1)	•	•	•	•	•	•									10
10-AS2□□1FSG□□02			• (Note 4)	•	•	•	•	• (Note 4)		• (Note 4)	•	•	•	•			
10-AS3□□1FSG□□02			•	•	•	•	•	•									
10-AS3□□1FSG□□03			•	•	•	•	•	•									
10-AS4□□1FSG□□04			•	•	•	•	•	•									
10-AS2□□1FSG□□G01			1/8	Face seal	• (Note 4)	•	•	•	•	• (Note 4)							
10-AS2□□1FSG□□G02	1/4	• (Note 4)	•		•	•	•										
10-AS3□□1FSG□□G02	3/8	•	•		•	•	•										
10-AS3□□1FSG□□G03	1/4	•	•		•	•	•										
10-AS3□□1FSG□□G03	3/8	•	•		•	•	•										
10-AS4□□1FSG□□G04	1/2	•	•		•	•	•										

Note 1) "Without sealant" type can be selected as a standard option.
Note 2) Only polyurethane tubing is applicable for ø2.

Note 3) There are differences in actual rate as by the indicator window over the maximum number of rotations depending on the individual product.
Note 4) Universal type is not available.

Specifications

Proof pressure	1.5 MPa
Max. operating pressure	1 MPa
Min. operating pressure	0.1 MPa
Ambient and fluid temperature	-5 to 60°C (No freezing)
Applicable tubing material	Polyurethane ^(Note)
Grease	Fluorine grease
Cleanliness class (ISO class)	Class 5

(Note) Use caution at the max. operating pressure when using polyurethane tubing. (Refer to the **WEB catalog** for details.)

Flow Rate and Sonic Conductance

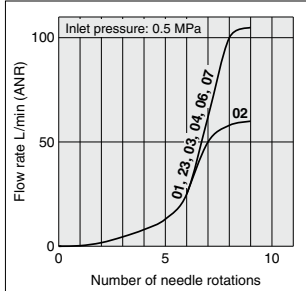
Model		10-AS1□□1FSG□-M5		10-AS2□□1FSG□-01		10-AS2□□1FSG□-02			10-AS3□□1FSG□			10-AS4□□1FSG□			
Tubing O.D.	Metric size	ø2	ø3.2 ø4 ø6	ø3.2	ø4	ø6 ø8 ø10	ø3.2	ø4	ø6	ø8 ø10	ø6	ø8 ø10 ø12	ø10	ø12 ø16	
	Inch size	—	ø1/8" ø1/4" ø5/32"	ø1/8"	ø5/32"	ø1/4" ø5/16"	ø1/8"	ø5/32"	—	ø1/4" ø5/16" ø3/8"	ø1/4"	ø5/16"	ø3/8"	ø3/8" ø1/2"	
C values: Sonic conductance dm ³ /(s·bar)	Free flow	0.2	0.3	0.4	0.6	0.6	0.7	1.0	1.3	1.5	1.6	1.7	2.5	4.4	4.8
	Controlled flow	0.2	0.3	0.4	0.7	0.8	0.6	0.9	1.3		2.1	2.4	3.3	4.4	4.9
b values: Critical pressure ratio	Free flow	0.3	0.4	0.2		0.3	0.3		0.4		0.4		0.3	0.3	
	Controlled flow	0.2		0.2		0.3	0.3			0.3			0.3		

Note 1) 10-32UNF has the same specification as M5.

Note 2) C and b values are for controlled flow with the needle fully open and free flow with the needle fully closed.

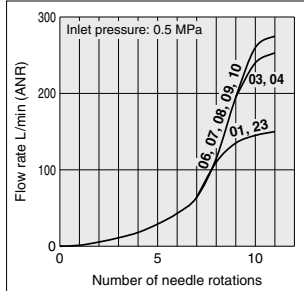
Needle Valve/Flow Rate Characteristics

10-AS1□01FSG□-M5, 10-AS1□11FSG□-M5

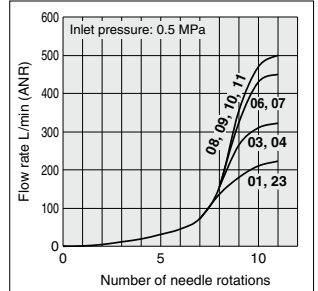


(Note) -U10/32 has the same specification as M5.

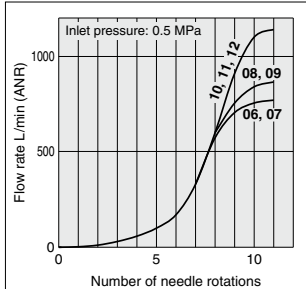
10-AS2□01FSG□-01, 10-AS2□11FSG□-01



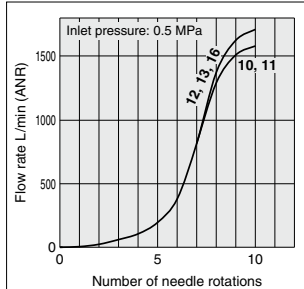
10-AS2□01FSG□-02, 10-AS2□11FSG□-02



10-AS3□01FSG□, 10-AS3□11FSG□



10-AS4□01FSG□, 10-AS4□11FSG□

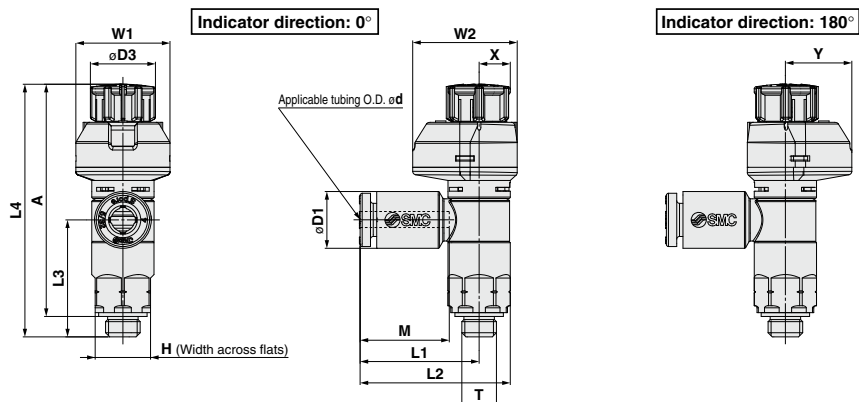


(Note) The numbers above the flow rate characteristic curves in the charts show the applicable tubing outside diameter as defined by the product number.

Directional Control Valves
 Air Cylinders
 Rotary Actuators
 Air Grippers
 Air Preparation Equipment
 Modular F. R.
 Pressure Control Equipment
 Fittings & Tubing
 Flow Control Equipment
 Pressure Switches/ Pressure Sensors

Dimensions

Seal method: Gasket seal
For M5, 10-32UNF



Metric Size

Model	d	T	H	D1	D3	L1	L2	L3	L4 Note 1		A Note 2		M	W1	W2	X	Y	Weight (g)
									Unlocked	Locked	Unlocked	Locked						
10-AS12□1FSG□-M5-02	2	M5 x 0.8 10/32UNF	8	5.8	15.8	20.3	16.9	39	36.5	35	33.5	11.9	13.6	15.1	5.5	9.6	7	
10-AS12□1FSG□-U10/32-02				7.2														
10-AS12□1FSG□-M5-23	3.2			9.4	17.2	21.7	16.9	39	36.5	35	33.5	11.9	13.6	15.1	5.5	9.6		
10-AS12□1FSG□-U10/32-23				8.2														
10-AS12□1FSG□-M5-04	4			10.4	18.6	23.1	16.5	39	36.5	35	33.5	13.3	13.6	15.1	5.5	9.6		
10-AS12□1FSG□-U10/32-04				8.2														
10-AS12□1FSG□-M5-06	6	10.4	18.6	23.1	16.5	39	36.5	35	33.5	13.3	13.6	15.1	5.5	9.6				
10-AS12□1FSG□-U10/32-06		8.2																

Note 1) Reference dimensions

Note 2) Reference dimensions of threads after installation

Inch Size

Model	d	T	H	D1	D3	L1	L2	L3	L4 Note 1		A Note 2		M	W1	W2	X	Y	Weight (g)
									Unlocked	Locked	Unlocked	Locked						
10-AS12□1FSG□-M5-01	1/8"	M5 x 0.8 10/32UNF	8	7.2	9.4	17.2	21.7	16.9	39.0	36.5	35	33.5	13.3	13.6	15.1	5.5	9.6	7
10-AS12□1FSG□-U10/32-01				8.2														
10-AS12□1FSG□-M5-03	5/32"			11.2	18.6	23.1	16.5	39.0	36.5	35	33.5	13.3	13.6	15.1	5.5	9.6		
10-AS12□1FSG□-U10/32-03				8.2														
10-AS12□1FSG□-M5-07	1/4"			11.2	18.6	23.1	16.5	39.0	36.5	35	33.5	13.3	13.6	15.1	5.5	9.6		
10-AS12□1FSG□-U10/32-07				8.2														

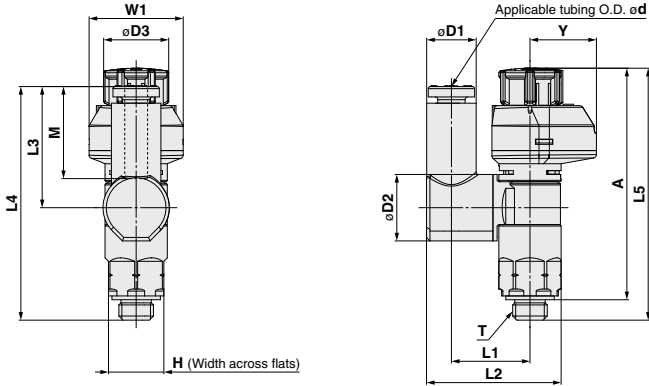
Note 1) Reference dimensions

Note 2) Reference dimensions of threads after installation



Dimensions: Universal Type

Seal method: Gasket seal
For M5, 10-32UNF



Metric Size

Model	d	T	H	D1	D2	D3	L1	L2	L3	L4	L5 Note 1)		A Note 2)		M	W1	Y	Weight [g]	
											Unlocked	Locked	Unlocked	Locked					
10-AS13□1FSG1-M5-23	3.2	M5 x 0.8 10/32UNF	8	7.2	9.6	9.4	11.6	19.4	17.5	33.8	39	36.5	35	33.5	13.3	13.6	9.6	7	
10-AS13□1FSG1-U10/32/23				8.2															
10-AS13□1FSG1-M5-04				4															8.2
10-AS13□1FSG1-U10/32-04																			11.5
10-AS13□1FSG1-M5-06	6	10/32UNF	8	10.4	9.6	9.4	11.6	19.4	17.5	33.8	39	36.5	35	33.5	13.3	13.6	9.6	8	
10-AS13□1FSG1-U10/32-06				11.5															

Note 1) Reference dimensions
Note 2) Reference dimensions of threads after installation

Inch Size

Model	d	T	H	D1	D2	D3	L1	L2	L3	L4	L5 Note 1)		A Note 2)		M	W1	Y	Weight [g]
											Unlocked	Locked	Unlocked	Locked				
10-AS13□1FSG1-M5-01	1/8	M5 x 0.8 10/32UNF	8	7.2	9.4	9.4	11.6	19.4	17.5	33.8	39	36.5	35	33.5	13.3	13.6	9.6	7
10-AS13□1FSG1-U10/32-01				8.2														
10-AS13□1FSG1-M5-03	5/32	10/32UNF	8	8.2	9.4	9.4	11.6	19.4	17.5	33.8	39	36.5	35	33.5	13.3	13.6	9.6	7
10-AS13□1FSG1-U10/32-03				11.2														
10-AS13□1FSG1-M5-07	1/4	10/32UNF	8	11.2	9.4	9.4	11.6	19.4	17.5	33.8	39	36.5	35	33.5	13.3	13.6	9.6	8
10-AS13□1FSG1-U10/32-07				11.2														

Note 1) Reference dimensions
Note 2) Reference dimensions of threads after installation

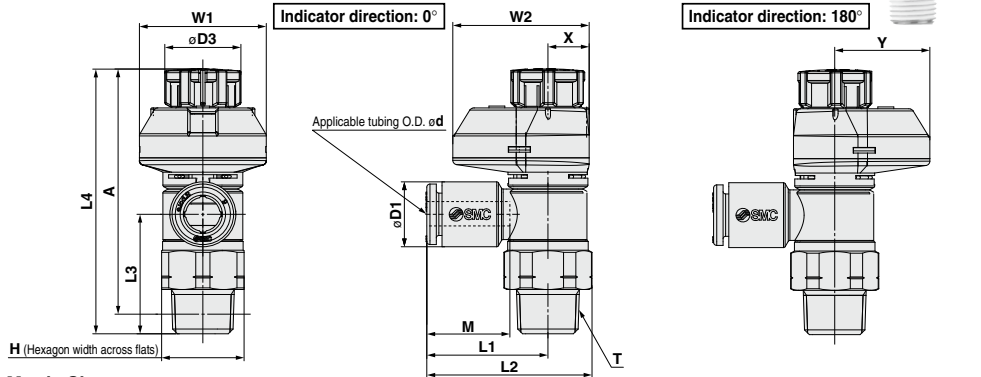
Directional Control Valves
Air Cylinders
Rotary Actuators
Air Grippers
Air Preparation Equipment
Modular F. R.
Pressure Control Equipment
Fittings & Tubing
Flow Control Equipment
Pressure Switches/ Pressure Sensors

Push-lock Type Speed Controller with Indicator 10-AS-FSG

Dimensions

Seal method: Sealant

For R, NPT thread



Metric Size

Model	d	T (R, NPT)	H	D1	D3	L1	L2	L3	L4 Note 1)		A Note 2)		M	W1	W2	X	Y	Weight (g)		
									Unlocked	Locked	Unlocked	Locked								
10-AS22□1FSG□-01-23(S)	3.2	1/8	13 (12.7)	7.2	12	19.1	26.1 (26)	19.1	43.9	42.4	40.8	39.3	13.3	20	21.5	6.5	15	13 (13)		
10-AS22□1FSG□-01-04(S)	4			8.2														14 (14)		
10-AS22□1FSG□-01-06(S)	6			10.4														15 (15)		
10-AS22□1FSG□-01-08(S)	8			13.2														16 (16)		
10-AS22□1FSG□-01-10(S)	10	15.9	25.3	32.3 (32.2)	16 (16)															
10-AS22□1FSG□-02-23(S)	3.2	1/4	17 (17.5)	7.2	13	20.9	30 (30.3)	22.6	49.7	48.3	44.2	42.8	13.3	21.5	24	7.8	16.2	23 (24)		
10-AS22□1FSG□-02-04(S)	4			8.2														15 (15)		
10-AS22□1FSG□-02-06(S)	6			10.4														16 (16)		
10-AS22□1FSG□-02-08(S)	8			13.2														23.4	32.5 (32.8)	16 (16)
10-AS22□1FSG□-02-10(S)	10	15.9	23.9	33 (33.3)	16 (16)															
10-AS22□1FSG□-02-06(S)	6	1/4	19	10.4	16.6	21.8	32.1	36.4	63.1	61.7	57.9	56.5	13.3	24.5	28.5	9.3	19.2	25 (26)		
10-AS32□1FSG□-02-04(S)	4			8.2														24 (25)		
10-AS32□1FSG□-02-06(S)	6			10.4														25 (26)		
10-AS32□1FSG□-02-08(S)	8			13.2														26.7	37	35.7
10-AS32□1FSG□-02-10(S)	10	15.9	26.7	37	35.7															
10-AS32□1FSG□-02-12(S)	12	18.5	29.7	40	34.5															
10-AS32□1FSG□-03-06(S)	6	3/8	19	10.4	16.6	21.8	32.1	28.7	55.4	54	50.2	48.8	13.3	24.5	28.5	9.3	19.2	38 (39)		
10-AS32□1FSG□-03-08(S)	8			13.2														29 (30)		
10-AS32□1FSG□-03-10(S)	10			15.9														26.7	37	28
10-AS32□1FSG□-03-12(S)	12			18.5														29.7	40	26.8
10-AS42□1FSG□-04-11(S)	10	1/2	24 (23.8)	15.9	18.8	27.4	40.3 (40.2)	36.2	64.1	62.5	57	55.4	15.6	26	29	10	19	62 (61)		
10-AS42□1FSG□-04-12(S)	12			18.5														30.8	43.7 (43.6)	35.1
10-AS42□1FSG□-04-16(S)	16			23.8														34.8	47.7 (47.6)	32.7

Note 1) Reference dimensions Note 2) Reference dimensions of threads after installation Note 3) () are the dimensions of NPT thread.

Inch Size

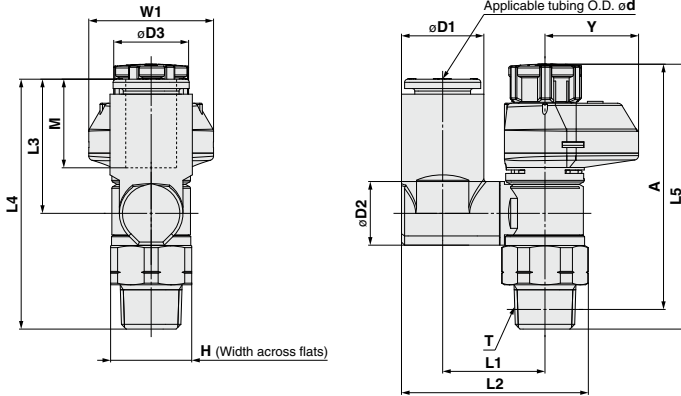
Model	d	T (R, NPT)	H	D1	D3	L1	L2	L3	L4 Note 1)		A Note 2)		M	W1	W2	X	Y	Weight (g)		
									Unlocked	Locked	Unlocked	Locked								
10-AS22□1FSG□-01-01(S)	1/8"	1/8	13 (12.7)	7.2	12	19.1	26.1 (26)	19.1	43.8	42.4	40.7	39.3	13.3	20	21.5	6.5	15	13 (13)		
10-AS22□1FSG□-01-03(S)	5/32"			8.2														14 (14)		
10-AS22□1FSG□-01-07(S)	1/4"			11.2														15 (15)		
10-AS22□1FSG□-01-09(S)	5/16"			13.2														22.4	29.4 (29.3)	16 (16)
10-AS22□1FSG□-02-01(S)	1/8"	1/4	17 (17.5)	7.2	13	20.9	30 (30.3)	22.6	49.7	48.3	44.2	42.8	13.3	21.5	24	7.8	16.2	23 (24)		
10-AS22□1FSG□-02-03(S)	5/32"			8.2														15 (15)		
10-AS22□1FSG□-02-07(S)	1/4"			11.2														23.4	32.5 (32.8)	16 (16)
10-AS22□1FSG□-02-09(S)	5/16"			13.2														23.9	33 (33.3)	16 (16)
10-AS22□1FSG□-02-11(S)	3/8"	3/8	19	15.5	16.6	21.8	32.1	28.7	55.4	54	50.2	48.8	13.3	24.5	28.5	9.3	19.2	25 (26)		
10-AS32□1FSG□-02-07(S)	1/4"			8.2														24 (25)		
10-AS32□1FSG□-02-09(S)	5/16"			11.2														26.7	37	28.2
10-AS32□1FSG□-02-11(S)	3/8"			15.5														26.7	37	28.2
10-AS32□1FSG□-03-07(S)	1/4"	3/8	19	11.2	16.6	21.8	32.1	28.7	55.4	54	50.2	48.8	13.3	24.5	28.5	9.3	19.2	38 (39)		
10-AS32□1FSG□-03-09(S)	5/16"			13.2														29.7	40	26.8
10-AS32□1FSG□-03-11(S)	3/8"			15.5														26.7	37	28.2
10-AS42□1FSG□-04-11(S)	3/8"			1/2														24 (23.8)	15.5	18.8
10-AS42□1FSG□-04-13(S)	1/2"	19.3	30.9		43.8 (43.7)	34.7														

Note 1) Reference dimensions Note 2) Reference dimensions of threads after installation Note 3) () are the dimensions of NPT thread.



Dimensions: Universal Type

Seal method: Sealant
For R, NPT thread



Metric Size

Model	d	T	H	D1	D2	D3	L1	L2	L3	L4	L5		A		M	W1	Y	Weight [g]	
											Unlocked	Locked	Unlocked	Locked					
10-AS23□1FSG1-01-23 (S)	3.2			7.2			13.3	24	17.5	36								14	
10-AS23□1FSG1-01-04 (S)	4	1/8	13 (12.7)	8.2	9.6	12	13.9	25.1	26.2	20.4	38.8	43.9	42.4	40.8	39.3	13.3	21.5	16.2	15
10-AS23□1FSG1-01-06 (S)	6			10.4			16.4	30.1	21.5	40								16	
10-AS23□1FSG1-01-08 (S)	8			13.2	10.2		16.4	30.1	21.5	40					14.2			24	
10-AS23□1FSG1-02-04 (S)	4			8.2			19	33.8	21.4	43.9								26	
10-AS23□1FSG1-02-06 (S)	6	1/4	17 (17.5)	11.2		13	19	34.9	23.5	46		49.7	48.3	44.2	42.8	24.5	19.2	27	
10-AS23□1FSG1-02-08 (S)	8			13.2			20.9	38.1	24.7	47.3					17			28	
10-AS23□1FSG1-02-10 (S)	10			15.9			20.2	36	21.4	57.8					13.3			49	
10-AS33□1FSG1-02-06 (S)	6			11.2		16.6	20.2	37.1	23.5	59.9								50	
10-AS33□1FSG1-02-08 (S)	8	1/4	19	13.2			23	41.2	26.1	62.5		63.1	61.7	57.9	56.5	24.5	19.2	53	
10-AS33□1FSG1-02-10 (S)	10			15.9			23	42.5	28.3	64.7					17			55	
10-AS33□1FSG1-02-12 (S)	12			18.5			20.2	36	21.4	50.1					13.3			41	
10-AS33□1FSG1-03-06 (S)	6			10.4		16.6	20.2	37.1	23.5	52.2								42	
10-AS33□1FSG1-03-08 (S)	8	3/8	19	13.2			23	41.2	26.1	54.8		55.4	54	50.2	48.8	24.5	19.2	45	
10-AS33□1FSG1-03-10 (S)	10			15.9			23	42.5	28.3	57					17			47	
10-AS33□1FSG1-03-12 (S)	12			18.5			25.6	46.4	26.1	61.2		64.1	62.5	57	55.4	26	19	69	
10-AS43□1FSG1-04-10 (S)	10	1/2	24 (23.8)	15.9	17.4	18.8	26.2	48.3	28.3	63.4					17			72	
10-AS43□1FSG1-04-12 (S)	12			18.5	21														

Inch Size

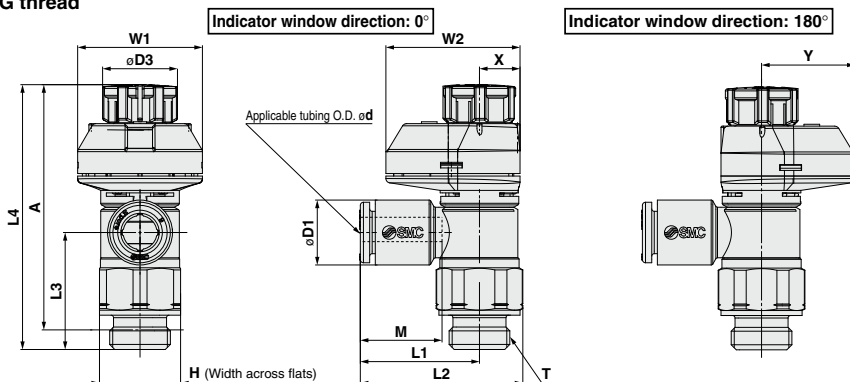
Model	d	T	H	D1	D2	D3	L1	L2	L3	L4	L5		A		M	W1	Y	Weight [g]	
											Unlocked	Locked	Unlocked	Locked					
10-AS23□1FSG1-01-01 (S)	1/8			7.2			13.3	24	17.5	36								14	
10-AS23□1FSG1-01-03 (S)	5/32	1/8	13 (12.7)	8.2	9.6	12	13.9	25.1	26.2	20.4	38.8	43.9	42.4	40.8	39.3	13.3	21.5	16.2	15
10-AS23□1FSG1-01-07 (S)	1/4			11.2			16.4	29.1	20.2	38.7								16	
10-AS23□1FSG1-01-09 (S)	5/16			13.2	10.2		16.4	30.1	21.5	40					14.2			24	
10-AS23□1FSG1-02-03 (S)	5/32			8.2			16.5	29.9	17.5	40.1								26	
10-AS23□1FSG1-02-07 (S)	1/4	1/4	17 (17.5)	11.2		13	19	33.8	21.4	43.9		49.3	48.3	44.2	42.8	24.5	19.2	27	
10-AS23□1FSG1-02-09 (S)	5/16			13.2			19	34.9	23.5	46					14.2			28	
10-AS23□1FSG1-02-11 (S)	3/8			15.9			20.9	38.1	24.7	47.3					15.6			49	
10-AS23□1FSG1-02-07 (S)	1/4			11.2		16.6	20.2	36	21.4	57.8					13.3			49	
10-AS33□1FSG1-02-09 (S)	5/16	3/8	19	13.2			20.2	37.1	23.5	59.9		63.1	61.7	57.9	56.5	24.5	19.2	50	
10-AS33□1FSG1-03-11 (S)	3/8			15.9	17.4		23	41.2	26.1	62.5					15.6			53	
10-AS33□1FSG1-03-07 (S)	1/4			11.2		16.6	20.2	36	21.4	50.1					13.3			41	
10-AS33□1FSG1-03-09 (S)	5/16	3/8	19	13.2			23	37.1	23.5	52.2		55.4	54	50.2	48.8	24.5	19.2	42	
10-AS33□1FSG1-03-11 (S)	3/8			15.9	17.4		23	41.2	26.1	54.8					15.6			45	
10-AS43□1FSG1-04-11 (S)	3/8	1/2	24 (23.8)	15.9	17.4	18.8	25.6	46.4	26.1	61.2		64.1	62.5	57	55.4	26	19	69	
10-AS43□1FSG1-04-13 (S)	1/2			18.5	21		26.2	48.3	28.3	63.4					17			72	

Directional Control Valves
Air Cylinders
Rotary Actuators
Air Grippers
Air Preparation Equipment
Modular F. R.
Pressure Control Equipment
Fittings & Tubing
Flow Control Equipment
Pressure Switches/ Pressure Sensors



Dimensions: Elbow Type

Seal method: Face seal
For G thread



Metric Size

Model	d	T	H	D1	D3	L1	L2	L3	L4 Note 1)		A Note 2)		M	W1	W2	X	Y	Weight [g]
									Unlocked	Locked	Unlocked	Locked						
10-AS22□1FSG□-G01-23	3.2			7.2														
10-AS22□1FSG□-G01-04	4			8.2														
10-AS22□1FSG□-G01-06	6	1/8	13	10.4	12	19.1	26.1	18.8	43.8	42.4	38.3	36.9	13.3	20	21.5	6.5	15	14
10-AS22□1FSG□-G01-08	8			13.2		22.4	29.4						14.2					15
10-AS22□1FSG□-G01-10	10			15.9		25.3	32.3						15.6					16
10-AS22□1FSG□-G02-23	3.2			7.2		20.9	30											
10-AS22□1FSG□-G02-04	4			8.2														
10-AS22□1FSG□-G02-06	6	1/4	17	10.4	13	23.4	32.5	22.6	49.7	48.3	43.2	41.8	13.3	21.5	24	7.8	16.2	26
10-AS22□1FSG□-G02-08	8			13.2		23.9	32.6						14.2					27
10-AS22□1FSG□-G02-10	10			15.9		26.9	36						15.6					28
10-AS32□1FSG□-G02-06	6			10.4		21.8	33	36.4					13.3					
10-AS32□1FSG□-G02-08	8	1/4	21	13.2	16.6	22.7	33.9		63.1	61.7	54.6	53.2	14.2	24.5	28.5	9.3	19.2	55
10-AS32□1FSG□-G02-10	10			15.9		26.7	37.9	35.7					15.6					57
10-AS32□1FSG□-G02-12	12			18.5		29.7	40.9	34.5					17					59
10-AS32□1FSG□-G03-06	6			10.4		21.8	33	28.7					13.3					45
10-AS32□1FSG□-G03-08	8	3/8	21	13.2	16.6	22.7	33.9		55.4	54	47.9	46.5	14.2	24.5	28.5	9.3	19.2	46
10-AS32□1FSG□-G03-10	10			15.9		26.7	37.9	28					15.6					47
10-AS32□1FSG□-G03-12	12			18.5		29.7	40.9	26.8					17					49
10-AS42□1FSG□-G04-10	10			15.9		27.4	41.8	36.2					15.6					80
10-AS42□1FSG□-G04-12	12	1/2	27	18.5	18.8	30.8	45.2	35.1	64.1	62.5	55.1	53.5	17	26	29	10	19	82
10-AS42□1FSG□-G04-16	16			23.8		34.8	49.2	32.7					20.6					86

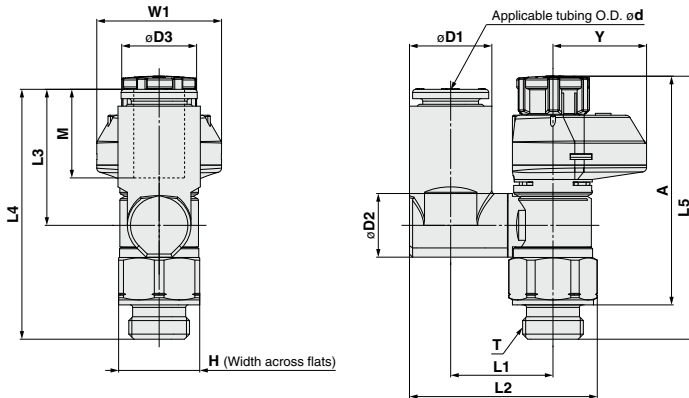
Note 1) Reference dimensions

Note 2) Reference dimensions of threads after installation



Dimensions: Universal Type

Seal method: Face seal
For G thread



Metric Size

Model	d	T	H	D1	D2	D3	L1	L2	L3	L4	L5		A		M	W1	Y	Weight [g]													
											Unlocked	Locked	Unlocked	Locked																	
10-AS23□1FSG1-G01-23	3.2	1/8	13	7.2	9.6	12	13.2	24	17.5	35.7	43.8	42.4	38.3	36.9	13.3	21.5	16.2	14													
10-AS23□1FSG1-G01-04	4			8.2			13.9	25.1										26.2	20.4	38.5	15										
10-AS23□1FSG1-G01-06	6			10.4			16.4	30.1										21.5	39.7	16											
10-AS23□1FSG1-G01-08	8	1/4	17	13.2	10.2	13	16.5	29.9	17.5	40.1	49.7	48.3	43.2	41.8	14.2	24.5	19.2	27													
10-AS23□1FSG1-G02-04	4			8.2			19	33.8										21.4	43.9	13.3											
10-AS23□1FSG1-G02-06	6			10.4			16.5	34.9										23.5	46	14.2											
10-AS23□1FSG1-G02-08	8			13.2			20.9	38.1										24.7	47.3	15.6											
10-AS23□1FSG1-G02-10	10			15.9			20.2	36.1										21.4	57.8	13.3											
10-AS23□1FSG1-G02-12	12			18.5			23	38										23.5	59.9	14.2											
10-AS33□1FSG1-G02-06	6	1/4	21	10.4	12.9	16.6	20.2	36.1	21.4	57.8	63.1	61.7	54.6	53.2	13.3	24.5	19.2	56													
10-AS33□1FSG1-G02-08	8			13.2			23	38										23.5	59.9	14.2											
10-AS33□1FSG1-G02-10	10			15.9			23	42.2										26.1	58	15.6											
10-AS33□1FSG1-G02-12	12			18.5			23	43.5										28.3	59.9	17											
10-AS33□1FSG1-G03-06	6			3/8			21	10.4										12.9	16.6	20.2	36.6	21.4	50.1	55.4	54	47.9	46.5	13.3	24.5	19.2	48
10-AS33□1FSG1-G03-08	8							13.2												23	38										23.5
10-AS33□1FSG1-G03-10	10	15.9	23		42.2	28.1		50.3	15.6																						
10-AS33□1FSG1-G03-12	12	18.5	23		43.5	28.3		52.2	17																						
10-AS43□1FSG1-G04-10	10	1/2	27		15.9	17.4		18.8	25.6	47.9	26.1	61.2	64.1	62.5	55.1	53.5	15.6			26	19										86
10-AS43□1FSG1-G04-12	12				18.5				21	26.2																					49.8

- Directional Control Valves
- Air Cylinders
- Rotary Actuators
- Air Grippers
- Air Preparation Equipment
- Modular F. R.
- Pressure Control Equipment
- Fittings & Tubing
- Flow Control Equipment
- Pressure Switches/ Pressure Sensors