

ISO Standard (6432)

ISO Cylinder: Standard Double Acting, Single Rod 25A-C85 Series

ø8, ø10, ø12, ø16, ø20, ø25



How to Order

Double acting, Single rod

25A - C D 85 N 20 - 40 C L - B - M9BW S

Series compatible with secondary batteries

Head cover type

N	Basic (Integrated clevis)
E	Double end boss-cut
F	Boss-cut/Basic
Y	Head cover axial port

Applicable head cover

Action	Head cover type			
	N	E	F	Y
Rubber bumper	●	●	●	●
Air cushion	●*1	—	—	—

*1 Excluding ø8

Built-in magnet

Nil	None
D	Built-in magnet

Bore size

8	8 mm
10	10 mm
12	12 mm
16	16 mm
20	20 mm
25	25 mm

Cylinder stroke [mm]
Manufacturable stroke range

Bore size [mm]	Manufacturable stroke range [mm]*2, *3, *4
8 *1	5 to 200
10	5 to 400
12	
16	
20	5 to 1000
25	

- *1 Not available with air cushion.
- *2 The minimum stroke with air cushion is 25 mm.
- *3 The min. stroke of the type with a magnet varies depending on the switch.
- *4 Applicable strokes differ depending on the usage conditions and mounting brackets. For details, refer to the "Stroke Selection" section of the C85 series in the **Web Catalog**.

Cushion

Nil	Rubber bumper (Standard)
C	Air cushion

Mounting bracket*5

Nil	None
L	Single foot
M	Double foot
G	Flange
U	Trunnion
N	Clevis

- *5 Mounting bracket is shipped together with the product.
- *6 Refer to Mounting Brackets for details of mounting brackets.

Number of auto switches

Nil	2
S	1
n	n

Auto switch

Nil	Without auto switch
------------	---------------------

* Click here for details on applicable auto switch models.

Auto switch mounting type*6

B	Band mounting
----------	---------------

*6 The symbol is "Nil" for no magnet.

Applicable mounting bracket

Action	Head cover type	Mounting bracket				
		L	M	G	U	N
Rubber bumper	N	●	●	●	●	●
	E	●	●	●	●	—
	F	●	—	●	●	—
	Y	●	—	●	●	—
Air cushion	N *7	●	●	●	●	●

*7 Excluding ø8

Mounting Bracket Part Nos. for the 25A- Series

Mounting bracket	Bore size [mm]						Contents
	8	10	12	16	20	25	
Rod end nut	C85NT08A-S	C85NT10A-S	C85NT12A-S	C85NT16A-S	C85NT20A-S	C85NT25A-S	1 rod end nut
Mounting nut	C85NT08B-S	C85NT10B-S	C85NT12B-S	C85NT16B-S	C85NT20B-S	C85NT25B-S	1 mounting nut
Foot (1 pc.)	25A-C85L10A	25A-C85L16A	25A-C85L25A	25A-C85L32A	25A-C85L40A	25A-C85L50A	1 foot bracket
Foot (2 pcs. with 1 mounting nut)	25A-C85L10B	25A-C85L16B	25A-C85L25B	25A-C85L32B	25A-C85L40B	25A-C85L50B	2 foot brackets, 1 mounting nut
Foot (1 pc. with 1 mounting nut)	25A-C85L10C	25A-C85L16C	25A-C85L25C	25A-C85L32C	25A-C85L40C	25A-C85L50C	1 foot bracket, 1 mounting nut
Flange	25A-C85F10	25A-C85F16	25A-C85F25	25A-C85F32	25A-C85F40	25A-C85F50	1 flange
Trunnion	C85T10	C85T16	C85T25	C85T32	C85T40	C85T50	1 trunnion
Clevis	25A-C85C10	25A-C85C16	25A-C85C25	25A-C85C32	25A-C85C40	25A-C85C50	1 clevis pivot bracket, 1 clevis pin, 2 pin retaining rings

Replacement Parts: For Standard Type

Bore size [mm]	Part no.	Note
20	25A-C85A-20PS	Every set includes: 1 rod seal 1 flat washer 1 retaining ring
25	25A-C85A-25PS	

* When replacing the seals, use **grease (GR-D-010: ordered separately)** on the sliding parts.

* The 25A- series specifications and dimensions are the same as those of the standard model.

For details, refer to the **Web Catalog**.

ISO Standard (15552)

ISO Cylinder: Standard Double Acting, Single Rod

25A-CP96 Series

ø32, ø40, ø50, ø63, ø80, ø100, ø125



How to Order

25A-CP96S **B** **32** - **100** **C**

With auto switch **25A-CP96SD** **B** **32** - **100** **C** - **M9BW** **S**

Series compatible with secondary batteries → 25A-CP96SD

With auto switch (Built-in magnet) → SD

Mounting

B	Basic
L	Axial foot
F	Rod flange
G	Head flange
C	Single clevis
D	Double clevis

* Mounting brackets are shipped together, but not assembled.
* Only the basic type is available for ø125.

Bore size

32	32 mm
40	40 mm
50	50 mm
63	63 mm
80	80 mm
100	100 mm
125	125 mm

Cylinder stroke [mm]

Bore size [mm]	Standard stroke [mm]	Max. stroke
32	25, 50, 80, 100, 125, 160, 200, 250, 320, 400, 500	1900
40	25, 50, 80, 100, 125, 160, 200, 250, 320, 400, 500	1900
50	25, 50, 80, 100, 125, 160, 200, 250, 320, 400, 500, 600	1900
63	25, 50, 80, 100, 125, 160, 200, 250, 320, 400, 500, 600	1900
80	25, 50, 80, 100, 125, 160, 200, 250, 320, 400, 500, 600, 700, 800	1900
100	25, 50, 80, 100, 125, 160, 200, 250, 320, 400, 500, 600, 700, 800	1850
125	—	1850

* Aside from the standard strokes, intermediate strokes are also available in 1 mm increments and are produced upon receipt of order.

Number of auto switches

Nil	2
S	1
3	3
n	n

Auto switch

Nil	Without auto switch
------------	---------------------

* [Click here](#) for details on applicable auto switch models.

Cushion

Symbol	Cushion	Bore size [mm]
C	Air cushion on both ends + Bumper cushion	ø32 to ø100
Nil	Air cushion	ø125

Mounting Bracket Part Nos. for the 25A- Series

Bore size [mm]	32	40	50	63	80	100
Foot	25A-L6032	25A-L6040	25A-L6050	25A-L6063	25A-L6080	25A-L6100
Flange	F6032-XC7	F6040-XC7	F6050-XC7	F6063-XC7	F6080-XC7	F6100-XC7
Single clevis	25A-C6032	25A-C6040	25A-C6050	25A-C6063	25A-C6080	25A-C6100
Double clevis	25A-D6032	25A-D6040	25A-D6050	25A-D6063	25A-D6080	25A-D6100

* The 25A- series specifications and dimensions are the same as those of the standard model.

ISO Standard (15552)

ISO Cylinder: Standard Double Acting, Single Rod

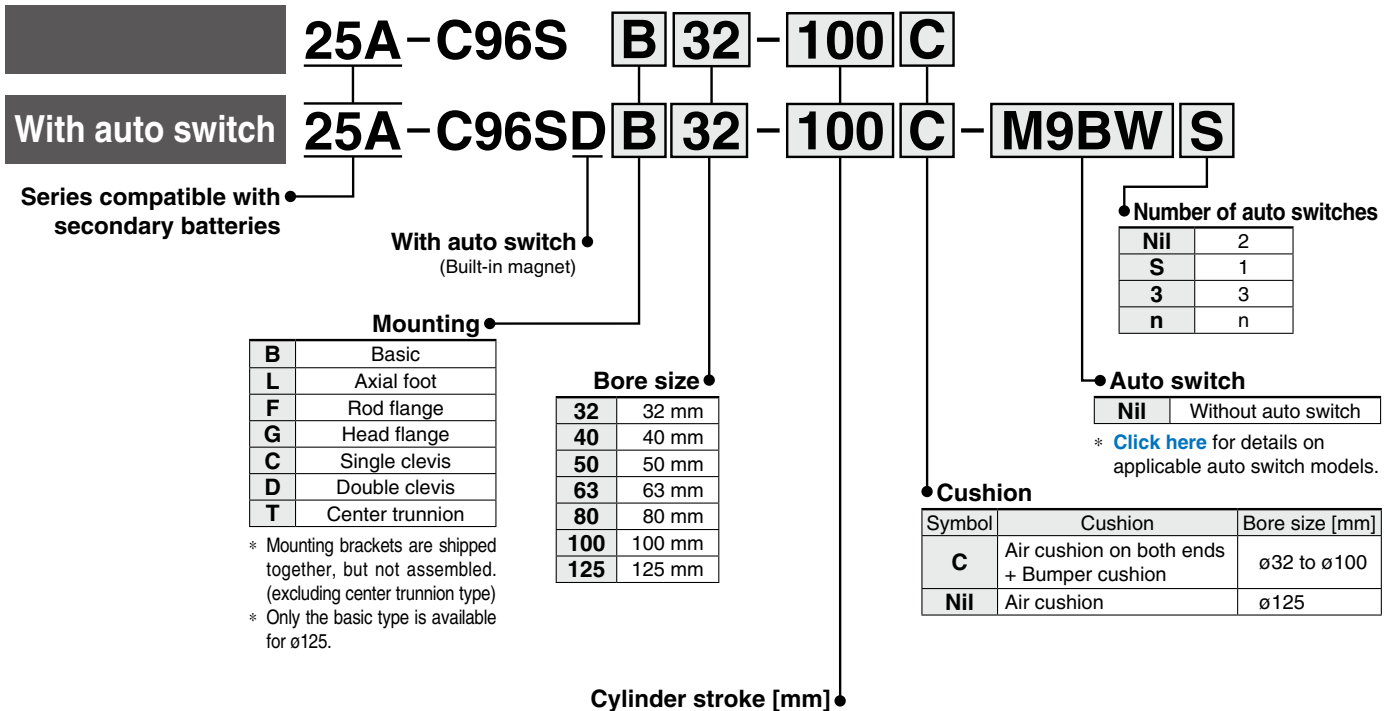
25A-C96 Series

ø32, ø40, ø50, ø63, ø80, ø100, ø125

RoHS



How to Order



Bore size [mm]	Standard stroke [mm]	Max. stroke
32	25, 50, 80, 100, 125, 160, 200, 250, 320, 400, 500	1000
40	25, 50, 80, 100, 125, 160, 200, 250, 320, 400, 500	1900
50	25, 50, 80, 100, 125, 160, 200, 250, 320, 400, 500, 600	1900
63	25, 50, 80, 100, 125, 160, 200, 250, 320, 400, 500, 600	1900
80	25, 50, 80, 100, 125, 160, 200, 250, 320, 400, 500, 600, 700, 800	1900
100	25, 50, 80, 100, 125, 160, 200, 250, 320, 400, 500, 600, 700, 800	1850
125	—	1850

* Aside from the standard strokes, intermediate strokes are also available in 1 mm increments and are produced upon receipt of order.

Mounting Bracket Part Nos. for the 25A- Series

Bore size [mm]	32	40	50	63	80	100
Foot	25A-L6032	25A-L6040	25A-L6050	25A-L6063	25A-L6080	25A-L6100
Flange	F6032-XC7	F6040-XC7	F6050-XC7	F6063-XC7	F6080-XC7	F6100-XC7
Single clevis	25A-C6032	25A-C6040	25A-C6050	25A-C6063	25A-C6080	25A-C6100
Double clevis	25A-D6032	25A-D6040	25A-D6050	25A-D6063	25A-D6080	25A-D6100

* The 25A- series specifications and dimensions are the same as those of the standard model.

For details, refer to the [Web Catalog](#).

ISO/VDMA Cylinder: Large Bore Size Type Double Acting, Single Rod

25A-C95 Series

∅160, ∅200



How to Order

Without auto switch

25A - C95S B 200 - 100

With auto switch

25A - C95S D B 200 - 100 - M9BW

Series compatible with secondary batteries

Built-in magnet

Mounting

B Basic/without bracket style

Bore size

160	160 mm
200	200 mm

Standard stroke

Bore size (mm)	Max. stroke*1
160	1600
200	1600

*1 Please consult with SMC for longer strokes.

* Intermediate strokes are available.

Auto switch

Nil Without auto switch

* [Click here](#) for details on applicable auto switch models.

Number of auto switches

Nil	2
S	1
3	3
n	n

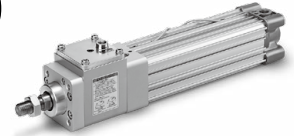
* The 25A- series specifications and dimensions are the same as those of the standard model. For details, refer to the [Web Catalog](#).

Cylinder with Lock

Double Acting, Single Rod

25A-CP96N Series

ø32, ø40, ø50, ø63, ø80, ø100



How to Order

With auto switch

25A-CP96N D B 32-100 C-M9BW S

Series compatible with secondary

With auto switch

Nil	Without magnet for switch*1
D	With auto switch (Built-in magnet)

*1 In the case of without magnet for switch, auto switch cannot be mounted.

Mounting

Symbol	Description
B	Basic
L	Axial foot
F	Rod flange
G	Head flange
C	Single clevis
D	Double clevis

* Mounting brackets are shipped together with the product but do not come assembled.

Bore size

32	32 mm
40	40 mm
50	50 mm
63	63 mm
80	80 mm
100	100 mm

Number of auto switches

Nil	2
S	1
3	3
n	n

Auto switch

Nil	Without auto switch
-----	---------------------

* [Click here](#) for details on applicable auto switch models.

Air cushion on both ends + Bumper cushion

Cylinder stroke [mm]

Bore size	Standard stroke	
	Stroke range ①	Stroke range ②
32	25, 50, 80, 100, 125, 160, 200, 250, 320, 400, 500	Up to 1900
40	25, 50, 80, 100, 125, 160, 200, 250, 320, 400, 500	Up to 1900
50	25, 50, 80, 100, 125, 160, 200, 250, 320, 400, 500, 600	Up to 1900
63	25, 50, 80, 100, 125, 160, 200, 250, 320, 400, 500, 600	Up to 1900
80	25, 50, 80, 100, 125, 160, 200, 250, 320, 400, 500, 600, 700, 800	Up to 1900
100	25, 50, 80, 100, 125, 160, 200, 250, 320, 400, 500, 600, 700, 800	Up to 1850

Mounting Brackets/Part Nos.

Bore size [mm]	32	40	50	63	80	100
Foot	25A-L6032	25A-L6040	25A-L6050	25A-L6063	25A-L6080	25A-L6100
Flange	F6032-XC7	F6040-XC7	F6050-XC7	F6063-XC7	F6080-XC7	F6100-XC7
Single clevis	25A-C6032	25A-C6040	25A-C6050	25A-C6063	25A-C6080	25A-C6100
Double clevis	25A-D6032	25A-D6040	25A-D6050	25A-D6063	25A-D6080	25A-D6100

* The 25A- series specifications and dimensions are the same as those of the standard model.

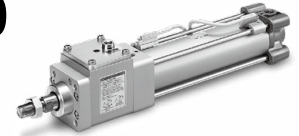
For details, refer to the [Web Catalog](#).

Cylinder with Lock Double Acting, Single Rod



25A-C96N Series

∅32, ∅40, ∅50, ∅63, ∅80, ∅100



How to Order

With auto switch

25A - C96N D B 32 - 100 C - M9BW S

Series compatible with secondary

With auto switch	
Nil	Without magnet for switch*1
D	With auto switch (Built-in magnet)

*1 In the case of without magnet for switch, auto switch cannot be mounted.

Number of auto switches

Nil	2
S	1
3	3
n	n

Auto switch

Nil	Without auto switch
-----	---------------------

* [Click here](#) for details on applicable auto switch models.

Air cushion on both ends + Bumper cushion

Mounting

Symbol	Description	Single rod	Double rod
B	Basic	○	○
L	Axial foot	○	○
F	Rod flange	○	○
G	Head flange	○	○
C	Single clevis	○	—
D	Double clevis	○	—
T	Center trunnion	○	○

Bore size

32	32 mm
40	40 mm
50	50 mm
63	63 mm
80	80 mm
100	100 mm

* Mounting brackets other than center trunnion type are shipped together with the product but do not come assembled.

* The single clevis with ball joint should be ordered separately.

Cylinder stroke [mm]

Bore size	Standard stroke	
	Stroke range ①	Stroke range ②
32	25, 50, 80, 100, 125, 160, 200, 250, 320, 400, 500	Up to 1000
40	25, 50, 80, 100, 125, 160, 200, 250, 320, 400, 500	Up to 1900
50	25, 50, 80, 100, 125, 160, 200, 250, 320, 400, 500, 600	Up to 1900
63	25, 50, 80, 100, 125, 160, 200, 250, 320, 400, 500, 600	Up to 1900
80	25, 50, 80, 100, 125, 160, 200, 250, 320, 400, 500, 600, 700, 800	Up to 1900
100	25, 50, 80, 100, 125, 160, 200, 250, 320, 400, 500, 600, 700, 800	Up to 1850

Mounting Brackets/Part Nos.

Bore size [mm]	32	40	50	63	80	100
Foot	25A-L6032	25A-L6040	25A-L6050	25A-L6063	25A-L6080	25A-L6100
Flange	F6032-XC7	F6040-XC7	F6050-XC7	F6063-XC7	F6080-XC7	F6100-XC7
Single clevis	25A-C6032	25A-C6040	25A-C6050	25A-C6063	25A-C6080	25A-C6100
Double clevis	25A-D6032	25A-D6040	25A-D6050	25A-D6063	25A-D6080	25A-D6100

* The 25A- series specifications and dimensions are the same as those of the standard model.

For details, refer to the [Web Catalog](#).



ISO Standard (21287)

Compact Cylinder: Double Acting, Single Rod

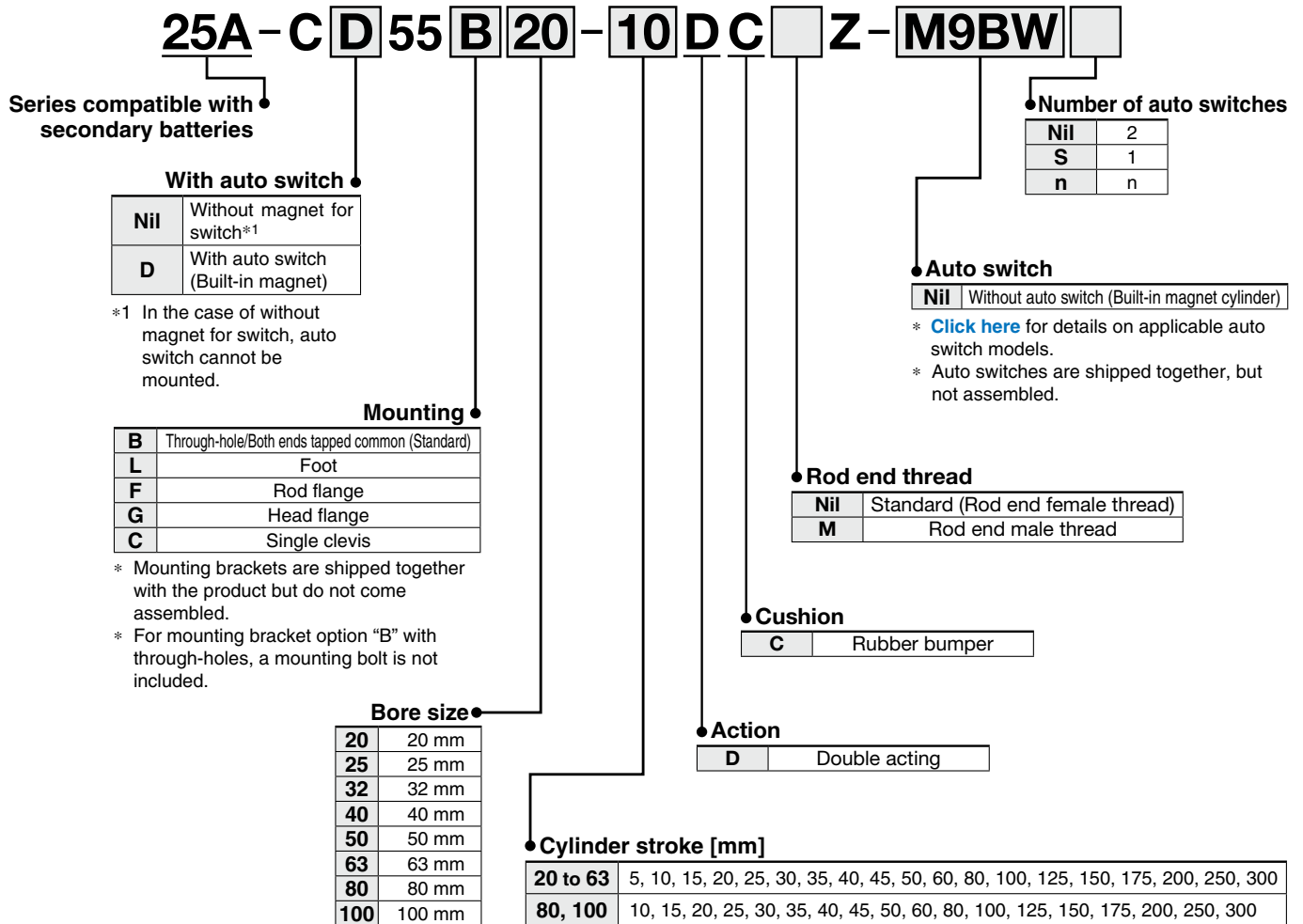
RoHS

25A-C55 Series

∅20, ∅25, ∅32, ∅40, ∅50, ∅63, ∅80, ∅100



How to Order



Mounting Bracket Part Nos. for the 25A- Series

Bore size [mm]	Foot*1	Flange	Single clevis
20	25A-C55-L020	25A-C55-F020	25A-C55-C020
25	25A-C55-L025	25A-C55-F025	25A-C55-C025
32	25A-C55-L032	25A-C55-F032	25A-C55-C032
40	25A-C55-L040	25A-C55-F040	25A-C55-C040
50	25A-C55-L050	25A-C55-F050	25A-C55-C050
63	25A-C55-L063	25A-C55-F063	25A-C55-C063
80	25A-C55-L080	25A-C55-F080	25A-C55-C080
100	25A-C55-L100	25A-C55-F100	25A-C55-C100

*1 Foot bracket part number contains two foot brackets
* Mounting bolts are also included with bracket.

* The 25A- series specifications and dimensions are the same as those of the standard model.

For details, refer to the [Web Catalog](#).

ISO Standard (21287)

Compact Cylinder: Double Acting, Single Rod

RoHS

25A-C55 Series

∅20, ∅25, ∅32, ∅40, ∅50, ∅63, ∅80, ∅100



How to Order

25A-C D 55 B 20 - 10 - M9BW

Series compatible with secondary batteries

With auto switch

Nil	Without magnet for switch*1
D	With auto switch (Built-in magnet)

*1 In the case of without magnet for switch, auto switch cannot be mounted.

Mounting

B	Through-hole/Both ends tapped common (Standard)
L	Foot
F	Rod flange
G	Head flange
C	Single clevis

* Mounting brackets are shipped together with the product but do not come assembled.

* For mounting bracket option "B" with through-holes, a mounting bolt is not included.

Bore size

20	20 mm
25	25 mm
32	32 mm
40	40 mm
50	50 mm
63	63 mm
80	80 mm
100	100 mm

Built-in Magnet Cylinder Model

If a built-in magnet cylinder without an auto switch is required, there is no need to enter the symbol for the auto switch. (Example) 25A-CD55L32-25

Number of auto switches

Nil	2
S	1
n	n

Auto switch

Nil	Without auto switch (Built-in magnet cylinder)
-----	--

* [Click here](#) for details on applicable auto switch models.

* Auto switches are shipped together, but not assembled.

Rod end thread

Nil	Female rod end
M	Male rod end

* A rubber bumper comes as standard.

Cylinder stroke [mm]

20 to 63	5, 10, 15, 20, 25, 30, 35, 40, 45, 50, 60, 80, 100, 125, 150
80, 100	10, 15, 20, 25, 30, 35, 40, 45, 50, 60, 80, 100, 125

Mounting Bracket Part Nos. for the 25A- Series

Bore size [mm]	Foot*1	Flange	Single clevis*2
20	25A-C55-L020	25A-C55-F020	25A-C55-C020
25	25A-C55-L025	25A-C55-F025	25A-C55-C025
32	25A-C55-L032	25A-C55-F032	—
40	25A-C55-L040	25A-C55-F040	—
50	25A-C55-L050	25A-C55-F050	—
63	25A-C55-L063	25A-C55-F063	—
80	25A-C55-L080	25A-C55-F080	—
100	25A-C55-L100	25A-C55-F100	—

*1 Foot bracket part number contains two foot brackets

*2 The single clevis is only applicable to bore sizes ∅20 and ∅25.

* Mounting bolts are also included with bracket.

* The 25A- series specifications and dimensions are the same as those of the standard model.

For details, refer to the [Web Catalog](#).