



# CERTIFICATE FOR CHINA COMPULSORY PRODUCT CERTIFICATION

本翻译文件不具有法律效力，  
不得单独使用  
This translated document  
does not have legal validity and  
cannot be used in isolation

**CERTIFICATE NO.:** 2024010305681948

**NAME AND ADDRESS OF THE APPLICANT**

SMC(China) Co.,Ltd.  
A2 Xingsheng Street, Beijing Economic Technological Development Zone, Beijing City, P.R.China  
100176

**NAME AND ADDRESS OF THE MANUFACTURER**

SMC Corporation  
Akihabara UDX 15F 4-14-1 Sotokanda Chiyodaku TOKYO

**NAME AND LOCATION OF THE FACTORY**

SMC Kamaishi Factory  
2-4-1 Kaminakajima-machi,kamaishi-shi ,Iwate-ken,Japan

**PRODUCT NAME,MODEL AND SPECIFICATION**

Flow Switch  
3C-IFW5,3C-IF3 ; See the Appendix

**STANDARDS AND TECHNICAL REQUIREMENTS FOR THE PRODUCTS**

GB/T 14048.5-2017

This is to certify that the above mentioned product(s) complies with the requirements of  
implementation rules for compulsory certification(REFNO. CNCA-C03-02:2024).

**Valid from:** Aug.30,2024

**Valid until:** Aug.29,2029

The certificate information and validity could be checked by scanning the QR code below or logging in to  
the website of the issuing authority, or on the website of the CNCA (www.cnca.gov.cn).



SIGNATURE:

谢肇煦



中国质量认证中心  
CHINA QUALITY CERTIFICATION CENTRE



CHINA QUALITY CERTIFICATION CENTRE CO., LTD.



# CERTIFICATE FOR CHINA COMPULSORY PRODUCT CERTIFICATION

本翻译文件不具有法律效力，  
不得单独使用  
This translated document  
does not have legal validity and  
cannot be used in isolation

CERTIFICATE NO. : 2024010305681948

Appendix: Page 1 of 5

3C-IFW5,3C-IF3

Ith:7A(3C-IFW5),15A(3C-IF3);

Ui:500V;Uimp:2.5kV;

3C-IFW5

AC-15:Ue/Ie:AC250V/0.8A,AC125V/1.6A;

AC-12:Ue/Ie:AC250V/5A,AC125V/5A;

DC-13:Ue/Ie:DC250V/0.05A,DC125V/0.1A,DC30V/0.4A,DC14V/0.9A,DC8V/1.6A;

DC-12:Ue/Ie:DC250V/0.3A,DC125V/0.4A,DC30V/5A,DC14V/5A,DC8V/7A;

3C-IF3

AC-15:Ue/Ie:AC250V/1.5A,AC125V/3.0A;

AC-12:Ue/Ie:AC250V/15A,AC125V/15A;

DC-13:Ue/Ie:DC250V/0.08A,DC125V/0.16A,DC30V/0.67A,DC14V/1.4A,DC8V/2.5

A;

DC-12:Ue/Ie:DC250V/0.25A,DC125V/0.5A,DC30V/6A,DC14V/15A,DC8V/15A;

Degrees of protection provided by enclosure:IP40.

This page is attached to the certificate and should be used at the same time as the certificate page.



中国质量认证中心

CHINA QUALITY CERTIFICATION CENTRE

CHINA QUALITY CERTIFICATION CENTRE CO., LTD.



# CERTIFICATE FOR CHINA COMPULSORY PRODUCT CERTIFICATION

CERTIFICATE NO. : 2024010305681948

Appendix : Page 2 of 5

本翻译文件不具有法律效力，  
不得单独使用  
This translated document  
does not have legal validity and  
cannot be used in isolation

## 3C-IFW5 系列

**3C-IFW5 10-N 03-1-1**

膜片式流量开关 | 设定流量 | 特殊规格 | 指示灯 | 接线盒

型式	阀体尺寸	设定流量 <sup>(1)</sup>
10	10L/min 型	1~10L/min
20	20L/min 型	10~20L/min
50	50L/min 型	20~50L/min

注：使用压力 0.2MPa 以下时

无记号	Rc
N	NPT
F	G

03	3/8
04	1/2
06	3/4

0	无
1	氖灯(AC110V 用 红灯)
2	氖灯(AC110V 用 绿灯)
3	氖灯(AC220V 用 红灯)
4	氖灯(AC220V 用 绿灯)
5	发光二极管(DC24V 用 红)
6	发光二极管(DC24V 用 绿)

注：DC24V 用仅能对应带 LED 灯 (5、6)。

0	无接线盒(1a 触点)
1	带接线盒(1a 触点)
2	带接线盒(1b 触点)
<sup>(5)</sup> 5	带接线盒(DC24V,+COM,1b 触点)
<sup>(6)</sup> 6	带接线盒(DC24V,+COM,1a 触点)
<sup>(7)</sup> 7	带接线盒(DC24V,-COM,1b 触点)
<sup>(8)</sup> 8	带接线盒(DC24V,-COM,1a 触点)

注：DC24V 用仅能对应带 LED 灯 (5、6、7、8)。

### 内部配线图

3C-IFW5□□-□□-00、10、20

记号	触 点	导线色
C	COMMON	黑
A	NORMALLY OPEN	白
B	NORMALLY CLOSED	红

3C-IFW5□□-□□-01~04、11~14、21~24

记号	触 点	导线色
C	COMMON	黑
A	NORMALLY OPEN	白
B	NORMALLY CLOSED	红

### 规格

使用液体	水及非腐蚀性液体	
使用压力	0.1~0.6MPa	
耐水力	1.2MPa	
使用温度范围	-5~60℃ (无冻结)	
动作方式	膜片式	
绝缘抵抗	100MΩ 以上 (DC500 兆欧表)	
耐电压	AC1500V 1 分钟	
接点	无接线盒 1ab	
	带接线盒 1a 及 1b	
接线口径	3/8、1/2、3/4	
接液部件材质	本体	CaC408
	阀杆	C3604B
	膜片	NBR



CHINA QUALITY CERTIFICATION CENTRE

CHINA QUALITY CERTIFICATION CENTRE CO., LTD.

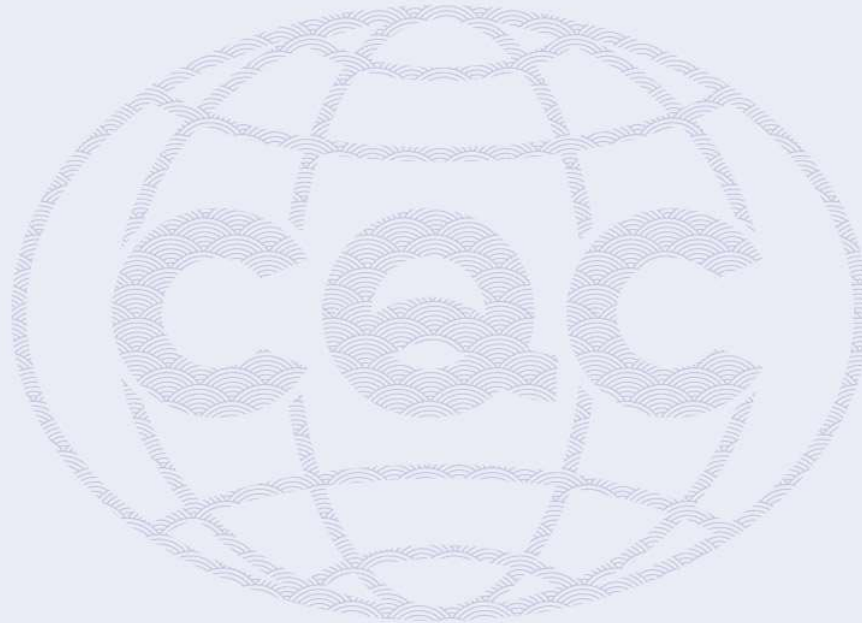


# CERTIFICATE FOR CHINA COMPULSORY PRODUCT CERTIFICATION

本翻译文件不具有法律效力，  
不得单独使用  
This translated document  
does not have legal validity and  
cannot be used in isolation

CERTIFICATE NO. : 2024010305681948

Appendix: Page 3 of 5



This page is attached to the certificate and should be used at the same time as the certificate page.



中国质量认证中心

CHINA QUALITY CERTIFICATION CENTRE

CHINA QUALITY CERTIFICATION CENTRE CO., LTD.



# CERTIFICATE FOR CHINA COMPULSORY PRODUCT CERTIFICATION

本翻译文件不具有法律效力，  
不得单独使用  
This translated document  
does not have legal validity and  
cannot be used in isolation

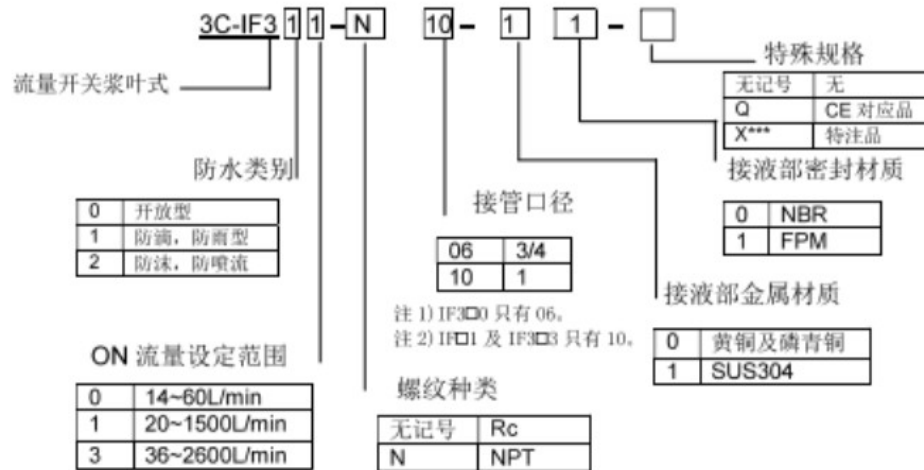
CERTIFICATE NO. : 2024010305681948

Appendix : Page 4 of 5

3C-IFW5 微动开关额定值:

电压	无诱导负载 A				诱导负载 A			
	电阻负载		灯负载		诱导负载		电动机负载	
	NC	NO	NC	NO	NC	NO	NC	NO
AC125V	5	5	1.5	0.7	4	4	2.5	1.3
AC250V	5	5	1	0.5	4	4	1.5	0.8
DC8V	7	5	3	3	5	4	3	3
DC14V	5	5	3	3	4	4	3	3
DC30V	5	5	3	3	4	4	3	3
DC125V	0.4	0.4	0.1	0.1	0.4	0.4	0.1	0.1
DC250V	0.3	0.3	0.05	0.05	0.3	0.3	0.05	0.05

3C-IF3 系列:



规格		
使用流体	铜合金	水及非腐蚀性液体
	SUS304	不腐蚀 SUS304 的液体
最高使用压力	1MPa	
耐水力	1.75MPa	
绝缘抵抗	100MΩ 以上 (DC500、兆欧表)	
耐电压	AC1500V 1分钟	
接点	1ab	
接线口径	3/4、1	



CHINA QUALITY CERTIFICATION CENTRE CO., LTD.



# CERTIFICATE FOR CHINA COMPULSORY PRODUCT CERTIFICATION

本翻译文件不具有法律效力，不得单独使用  
This translated document does not have legal validity and cannot be used in isolation

CERTIFICATE NO. : 2024010305681948

Appendix: Page 5 of 5

内部配线图



3C-IF3 的微动开关额定值:

电压	无诱导负载 A				诱导负载 A			
	电阻负载		灯负载		诱导负载		电动机负载	
	NC	NO	NC	NO	NC	NO	NC	NO
AC125V	15	15	3	1.5	15	15	5	2.5
AC250V	15	15	2.5	1.25	15	15	3	1.5
DC8V	15	15	3	1.5	15	15	5	2.5
DC14V	15	15	3	1.5	10	10	5	2.5
DC30V	6	6	3	1.5	5	5	5	2.5
DC125V	0.5	0.5	0.5	0.5	0.05	0.05	0.05	0.05
DC250V	0.25	0.25	0.25	0.25	0.03	0.03	0.03	0.03

This page is attached to the certificate and should be used at the same time as the certificate page.



中国质量认证中心  
CHINA QUALITY CERTIFICATION CENTRE

CHINA QUALITY CERTIFICATION CENTRE CO., LTD.